



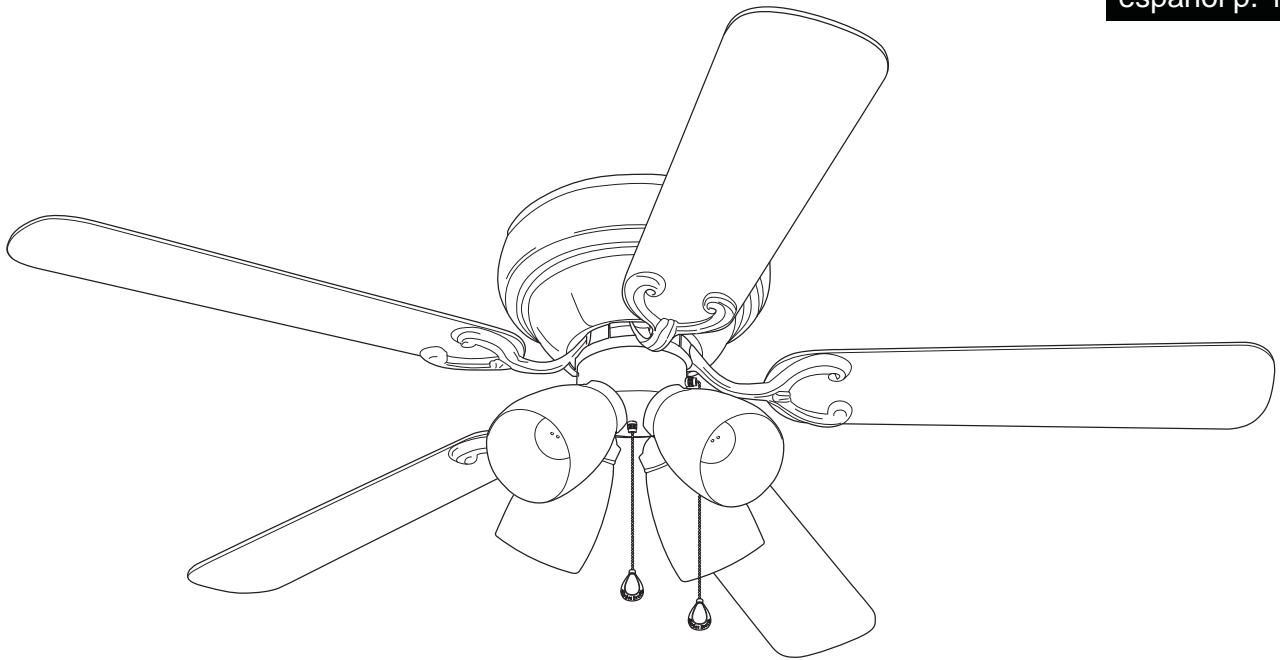
Harbor Breeze® is a registered trademark of LF, LLC. All Rights Reserved.

ITEM #18037
18038

CHESHIRE II CEILING FAN

MODEL #CSD52FBZ5C4S
CSD52BNK5C4S

español p. 17



LISTED
E124404



Questions, problems, missing parts? Before returning to your retailer, call our customer service department at **1-800-527-1292**, 8:30 a.m.-5 p.m., CST, Monday-Friday.








TABLE OF CONTENTS

Safety Information	3
Package Contents	4
Hardware Contents	5
Preparation	5 - 6
Initial Installation	6 - 7
Wiring	8 - 9
Final Installation	9 - 12
Using Fan Without Light Kit (Optional)	12
Fan Operation	12 - 13
Care and Maintenance	13
Troubleshooting	14
Warranty	15
Replacement Parts List	16

SAFETY INFORMATION

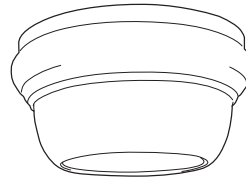
READ AND SAVE THESE INSTRUCTIONS

Please read and understand this entire manual before attempting to assemble, install or operate the product. If you have any questions regarding the product, please call customer service at **1-800-527-1292**, 8:30 a.m.-5:00 p.m., CST, Monday-Friday.

1. Before you begin installing the fan, disconnect the power by removing fuses or turning off circuit breakers.
2.  **CAUTION:** Read all instructions and safety information before installing your new fan. Review the accompanying assembly diagrams.
3.  **WARNING:** To avoid personal injury, the use of gloves may be necessary while handling fan parts with sharp edges.
4. Make sure that all electrical connections comply with local codes, ordinances, the National Electrical Code and ANSI/NFPA 70-199. Hire a qualified electrician or consult a do-it-yourself wiring handbook, available at Lowe's, if you are unfamiliar with installing electrical wiring.
5. Make sure the installation site you choose allows a minimum clearance of 7 feet from the blades to the floor and at least 30 in. from the end of the blades to any obstruction.
6.  **WARNING:** To reduce the risk of fire, electrical shock, or personal injury, mount fan to outlet box marked "ACCEPTABLE FOR FAN SUPPORT" and use mounting screws provided with the outlet box. Most outlet boxes commonly used for the support of lighting fixtures are not acceptable for fan support and may need to be replaced. Consult a qualified electrician if in doubt. Secure the box directly to the building structure. The outlet box and its support must be able to support the moving weight of the fan (at least 35 lbs.). Do NOT use a plastic outlet box.
7. After you install the fan, make sure that all connections are secure to prevent the fan from falling.
8.  **WARNING:** To reduce the risk of fire, electrical shock, or personal injury, wire connectors provided with this fan are designed to accept only one 12 gauge house wire and two lead wires from the fan. If your house wire is larger than 12 gauge or there is more than one house wire to connect to the two fan lead wires, consult an electrician for the proper size wire connectors to use.
9.  **WARNING:** To reduce the risk of fire or electric shock, do not use the fan with any solid state speed control device or control fan speed with a full range dimmer switch.
10.  **WARNING:** To reduce the risk of fire, electric shock, or personal injury, do not bend the blade arms when installing them, balancing the blades, or cleaning the fan. Do not insert objects between the rotating fan blades.
11.  **WARNING:** To reduce the risk of personal injury, use **only** parts provided with this fan. The use of parts OTHER than those provided with this fan will void the warranty.
12. The net weight of this fan including the light kit is: 18,3 lbs. (8,3 kg).

PACKAGE CONTENTS

Part	Description	Quantity
A	Motor Housing	1
B	Mounting Bracket	1
C	Extra Switch Housing	1
D	Motor Assembly	1
E	Light Kit Fitter	1
F	Glass Shade	4
G	Blade Arm	5
H	Blade	5
I	Candelabra Base Bulb	4
J	Pull Chain Extension (in hardware pack)	2
K	Plastic Lock Tab	1
L	Socket Ring (attached to light kit fitter)	4



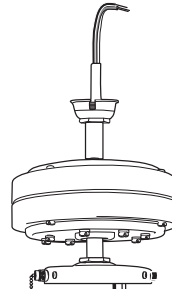
A



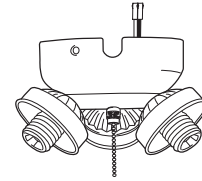
B



C



D



E



F



G



H

⚠ IMPORTANT REMINDER: You must **⚠** use the parts provided with this fan for proper installation and safety.



I



J

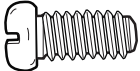


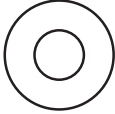
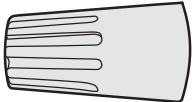



K



L

HARDWARE CONTENTS

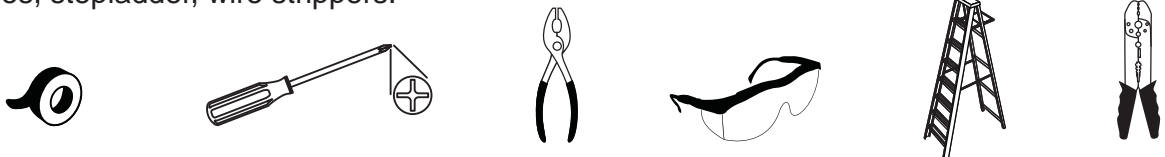
Part	Description	Quantity	Part Shown to Size
AA	Motor Screw (10 in motor; 1 in hardware pack)	11	
BB	3/16 Blade Screw (in hardware pack)	16	
CC	5.4M/M Lock Washer (10 in motor; 1 in hardware pack)	11	
DD	Blade Washer (in hardware pack)	16	
EE	E3 Wire Connector (in hardware pack)	4	
FF	Motor Housing Mounting Screw (attached to mounting bracket)	4	

PREPARATION

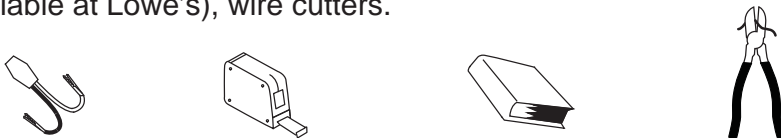
1. Before beginning assembly, installation or operation of product, make sure all parts are present. Compare parts with package contents list and diagram above. If any part is missing or damaged, do not attempt to assemble, install or operate the product.

Estimated Assembly Time: 120 minutes

Tools Required for Assembly (not included): electrical tape, Phillips screwdriver, pliers, safety glasses, stepladder, wire strippers.



Helpful Tools (not included): A/C tester light, tape measure, do-it-yourself wiring handbook (available at Lowe's), wire cutters.



PREPARATION

Bulbs Required (included): 4 candelabra base 60 watt max. bulbs



⚠ DANGER: When using an existing outlet box, make sure the outlet box is securely attached to the building structure and can support the full weight of the fan. Failure to do this can result in serious injury or death. The stability of the outlet box is essential in minimizing wobble and noise in the fan after installation is complete.

⚠ CAUTION: Be sure outlet box is properly grounded and that a ground (green or bare) wire is present.

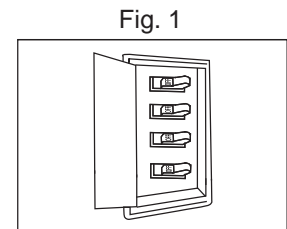
2. After opening top of carton, remove mounting hardware package from foam inserts. Remove motor from packing and place on carpet or on foam to avoid damage to finish.

⚠ CAUTION: Carefully check all screws, bolts and nuts on fan motor assembly to ensure that they are secured.

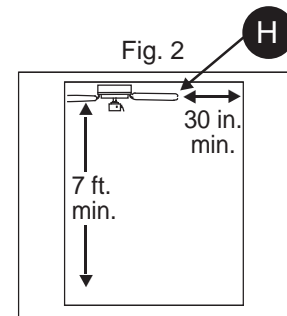
INITIAL INSTALLATION

1. Turn off circuit breakers and wall switch to the fan supply line leads. (Fig. 1)

⚠ DANGER: Failure to disconnect power supply prior to installation may result in serious injury or death.

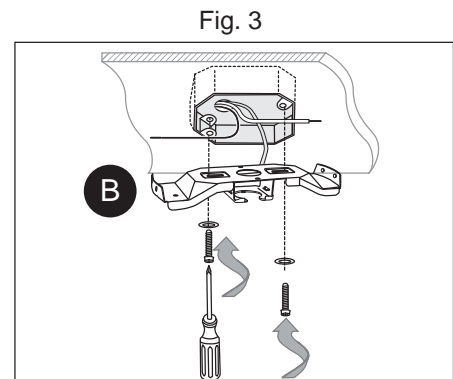


2. Check to make sure blades (H) will be at least 30 in. from any obstruction and at least 7 ft. above the floor. (Fig. 2)



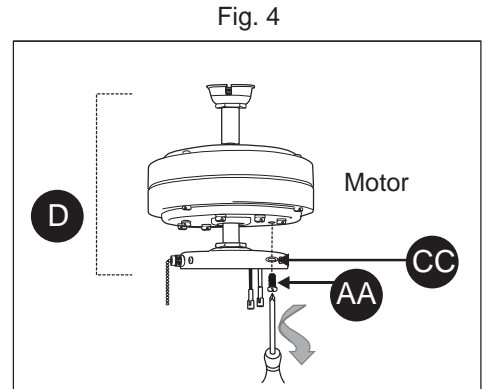
3. Secure mounting bracket (B) to outlet box using screws, spring washers, and flat washers provided with the outlet box. (Fig. 3) Pull wires from outlet box through center hole in mounting bracket (B).

***Note:** It is very important that you use the proper hardware when installing the mounting bracket (B) as this will support the fan.



INITIAL INSTALLATION

4. Remove motor screws (AA) and lock washers (CC) from underside of motor--save to attach blade arms (G) later on. If there are also plastic motor blocks, discard them at this time. (Fig. 4)

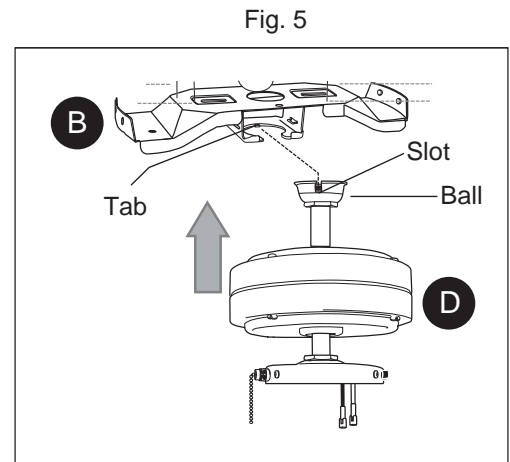


Hardware Used

AA	Motor Screw		x 10
CC	5.4 M/M Lock Washer		x 10

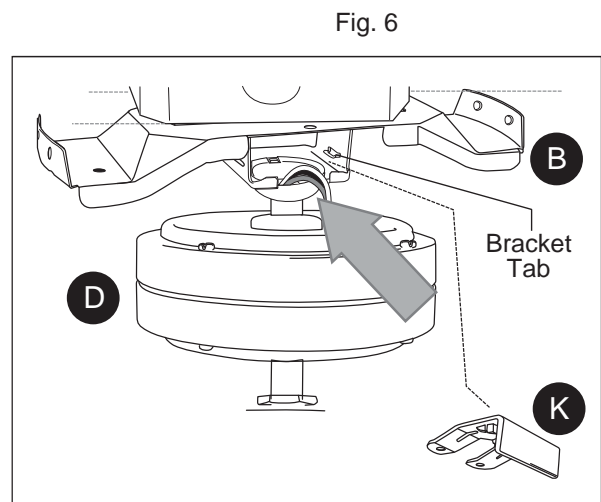
5. Install ball end of motor assembly (D) into mounting bracket (B) opening. Align slot in ball with tab in mounting bracket (A). (Fig. 5)

⚠ DANGER: Failure to align slot in ball with tab in mounting bracket (B) may result in serious injury or death.



6. To ensure the safety of the installation and to prevent the motor assembly (D) from becoming or coming loose, use the plastic lock tab (K). Slide plastic lock tab (K) under bracket tabs so that it will snap into place. (Fig. 6)

IMPORTANT: Keep in mind that it will require some force to fully insert the plastic lock tab (K) so that it does not move or come out once in the correct position.



WIRING

⚠ WARNING: To reduce the risk of fire, electrical shock, or personal injury, wire connectors provided with this fan are designed to accept only one 12 gauge house wire and two lead wires from the fan. If your house wire is larger than 12 gauge or there is more than one house wire to connect to the two fan lead wires, consult an electrician for the proper size wire connectors to use.

⚠ CAUTION: Be sure wiring box is properly grounded and that a ground (green or bare) wire is present.

⚠ WARNING: If house wires are different colors than referred to in the following steps, stop immediately. A professional electrician is recommended to determine wiring.

1. Choose wiring diagram (Fig. 1A, Fig. 1B or Fig. 1C) that fits your situation and make appropriate wiring connections as follows: [**NOTE:** For each wire connection below, use one of the wire connectors (EE) provided, making sure to screw wire connector (EE) on in a clockwise direction.]

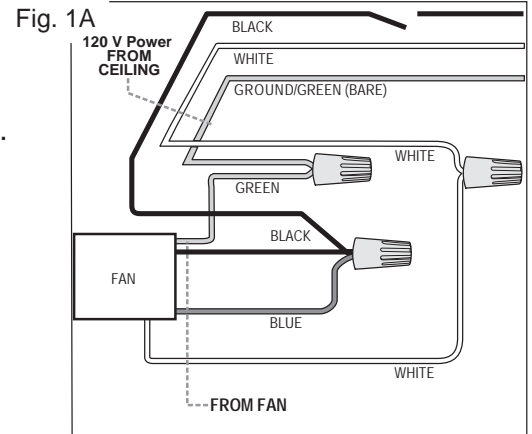
1A. FAN AND LIGHT CONTROLLED BY PULL CHAINS: Connect **BLACK** and **BLUE** wire from fan to **BLACK** wire from ceiling. Connect **WHITE** wire from fan to **WHITE** wire from ceiling. Connect **GROUND (GREEN)** wire together from mounting bracket to **BARE/GREEN** wire from ceiling. (Fig. 1A)

1B. FAN CONTROLLED BY PULL CHAIN, LIGHT BY WALL SWITCH: If you intend to control the fan light with a separate wall switch, connect **BLACK** wire from fan to **BLACK** wire from ceiling. Connect **BLUE** wire from fan to the **BLACK** wire from the independent wall switch for the light. Connect **WHITE** wire from fan to **WHITE** wire from ceiling. Connect **GROUND (GREEN)** wire together from mounting bracket to **BARE/GREEN** wire from ceiling. (Fig. 1B)

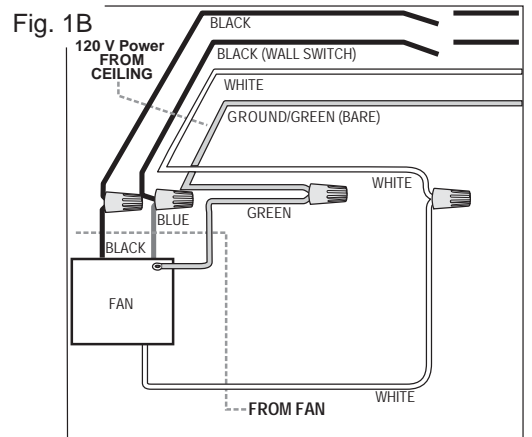
1C. FAN AND LIGHT CONTROLLED BY TWO WALL SWITCHES: If you intend to control the fan and light with separate wall switches, connect **BLACK** wire from fan to **BLACK** wire from the independent wall switch for the fan. Connect **BLUE** wire from fan to the **BLACK** wire from the other independent wall switch for the light. Connect **WHITE** wire from fan to **WHITE** wire from ceiling. Connect **GROUND (GREEN)** wire together from mounting bracket to **BARE/GREEN** wire from ceiling. (Fig. 1C)

Note: Black wire is hot power for fan. Blue wire is hot power for light kit. White wire is common for fan and light kit. Green or bare wire is ground.

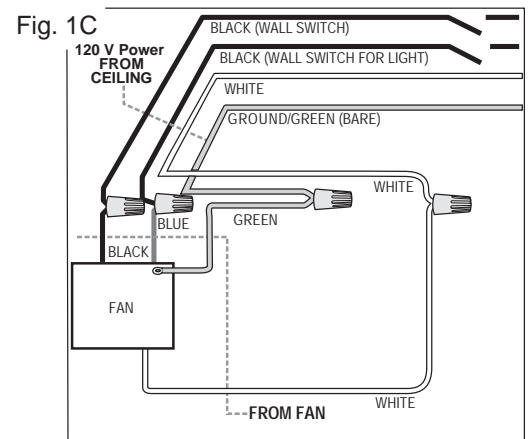
FAN AND LIGHT CONTROLLED BY PULL CHAINS



FAN CONTROLLED BY PULL CHAIN, LIGHT BY WALL SWITCH



FAN AND LIGHT CONTROLLED BY TWO WALL SWITCHES



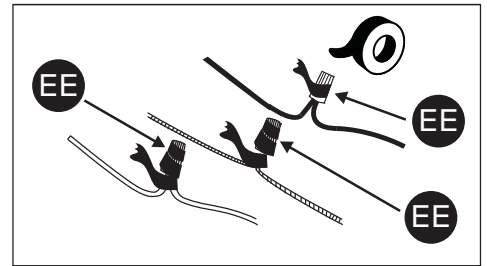
WIRING

2. Wrap electrical tape around each wire connector (EE) down to the wire as shown in Fig. 2.

⚠ WARNING: Make sure no bare wire or wire strands are visible after making connections. Place green and white connections on opposite side of box from the black and blue (if applicable) connections.

Turn spliced/taped wires upward and gently push wires and wire connectors (EE) into outlet box.

Fig. 2

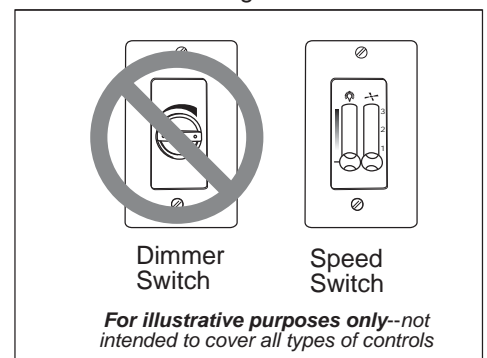


Hardware Used



IMPORTANT: Using a full range dimmer switch to control fan speed will cause a loud humming noise from fan. To reduce the risk of fire or electric shock, do NOT use a full range dimmer switch to control fan speed. (Fig. 3)

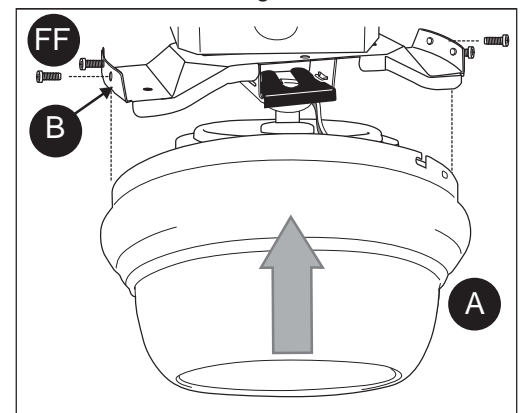
Fig. 3



FINAL INSTALLATION

1. Temporarily raise motor housing (A) to mounting bracket (B) to determine which two screws (FF) align with slotted holes in motor housing (A) and partially loosen these two screws (FF). Remove the other two screws (FF). Now, lift motor housing (A) to mounting bracket (B) again, aligning slotted holes in motor housing (A) with loosened screws (FF) in mounting bracket (B). Twist motor housing (A) to lock. Re-insert screws (FF) that were previously removed. Tighten all four screws (FF) securely. (Fig. 1)

Fig. 1

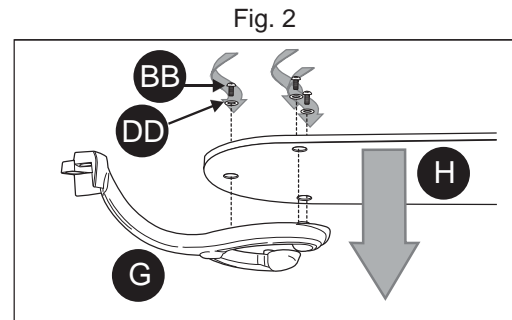


Hardware Used

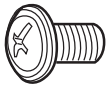
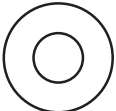


FINAL INSTALLATION

2. Partially insert three blade screws (BB), along with three blade washers (DD), to attach one blade arm (G) to a blade (H). Then, tighten each blade screw (BB), starting with the one in the middle (Fig. 2) Repeat with remaining blades (H).

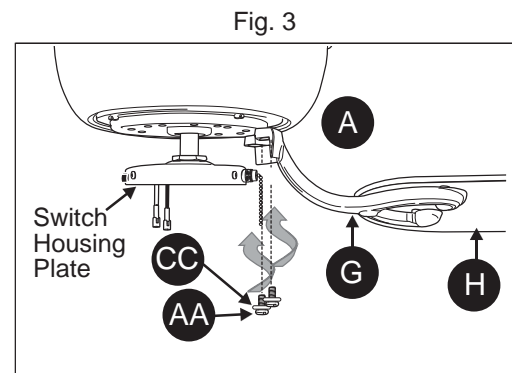


Hardware Used


BB	3/16 Blade Screw		x 15
DD	Blade Washer		x 15

3. Locate motor screws (AA) and lock washers (CC) that were removed in Step 4 on page 7.

Insert one motor screw (AA), along with lock a washer (CC), through one blade arm (G) to attach blade arm (G) to motor. Partially tighten motor screw (AA). Now, insert another motor screw (AA), along with lock washer (CC), to secure blade arm (G). Tighten both motor screws (AA) securely. (Fig. 3)



Hardware Used

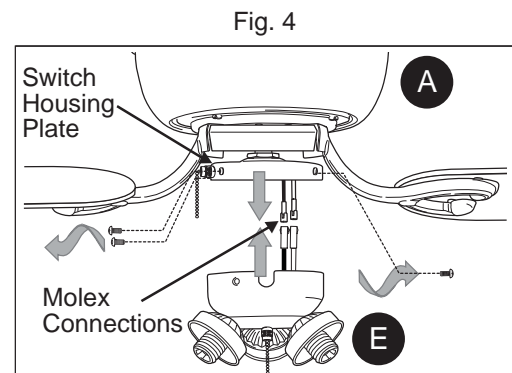
AA	Motor Screw		x 10
CC	5.4 M/M Lock Washer		x 10

Note: For easy access to motor screws (AA), turn motor so that the flat part of the switch housing plate aligns with the two motor screw (AA) holes on blade arm (G).

Repeat Step 3 with remaining blade arms (G), making sure to completely secure each blade arm (G) before proceeding with the next.

4. **If you wish to USE the light kit**, remove three screws from switch housing plate on underside of motor. Locate **BLUE** and **WHITE** wires in switch housing plate labeled “FOR LIGHT” and remove cardboard label and plastic from these two wires.

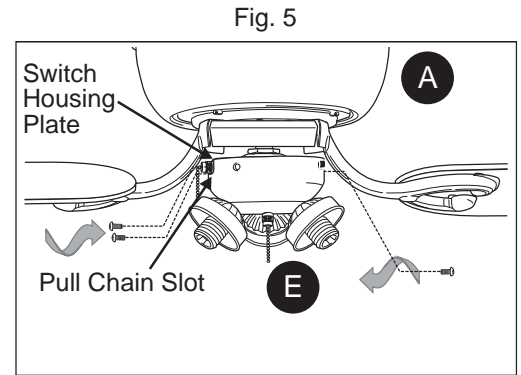
Connect **WHITE** wire from light kit fitter (E) to **WHITE** wire from switch housing plate. Connect **BLACK** wire from light kit fitter (E) to **BLUE** wire from switch housing plate. Make sure that molex connections are secure. (Fig. 4) Continue with Step 5.



If you do NOT wish to use the light kit, please go to section entitled “Using Fan Without Light Kit” on page 12.

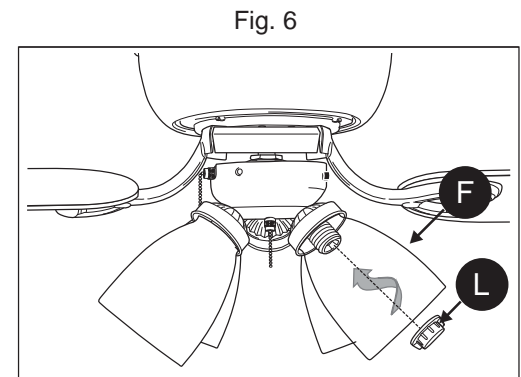
FINAL INSTALLATION

5. Gently push wires and molex connections into switch housing plate. Align fan pull chain slot with fan pull chain and attach light kit fitter (B) to fan with screws that were removed in the previous step. Use a Phillips screwdriver to secure all three screws. (Fig. 5)



6. Remove socket ring (L) from each socket. Use one socket ring (L) to attach each glass shade (F). (Fig. 6)

Note: Do not overtighten socket rings (L) as glass may crack or break.



7. Install four candelabra base 60 watt max. bulbs (I) included. (Fig. 7)

Important: When you need to replace bulbs, please allow bulbs and glass shades (F) to cool down before handling them.

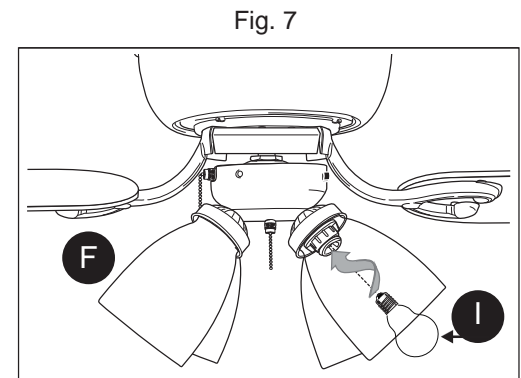


Fig. 7

FINAL INSTALLATION

8. The pull chain extensions (J) supplied in one of the hardware packs or custom pull chain extensions (not included) may be attached to fan and light pull chains. (Fig. 8)

USING FAN WITHOUT LIGHT KIT (OPTIONAL)

1. *If you do NOT wish to use the light kit*, remove three screws from switch housing plate. (Fig. 1)

2. Align holes in extra switch housing (C) with holes on outer edge of switch housing plate. (Note: The wide gap in the top edge of the extra switch housing (C) should align with the reverse switch on the switch housing plate for the proper fit.) Re-insert screws that were just removed. Use a Phillips screwdriver to secure all screws. (Fig. 2)

3. The pull chain extension (J) supplied in one of the hardware packs or custom pull chain extension (not included) may be attached to fan. (Fig. 3)

FAN OPERATION

1. The pull chain on the switch housing plate has four positions to control **fan** speed. One pull is HIGH, two is MEDIUM, three is LOW and four turns the fan OFF. (Fig. 1)

Fig. 9

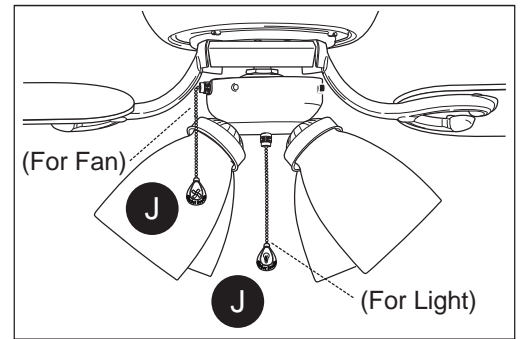


Fig. 1

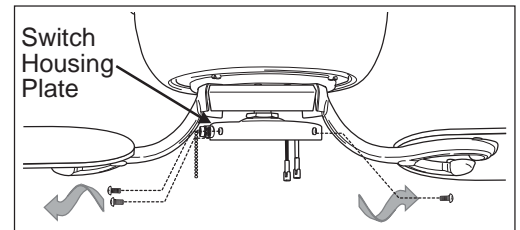


Fig. 2

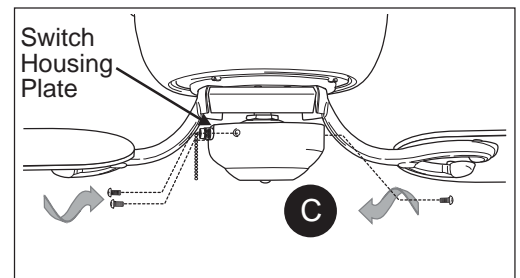


Fig. 3

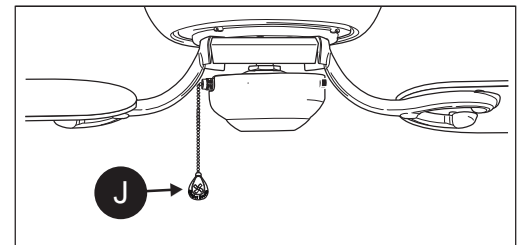
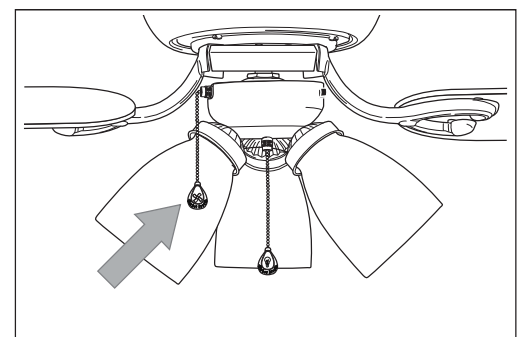


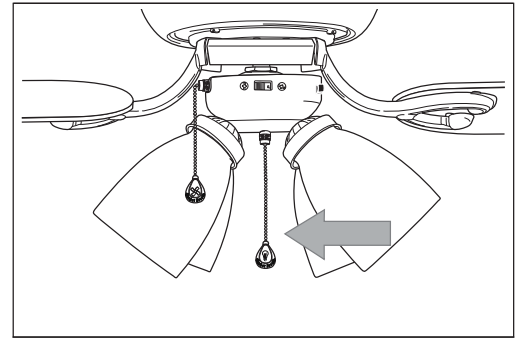
Fig. 1



FAN OPERATION

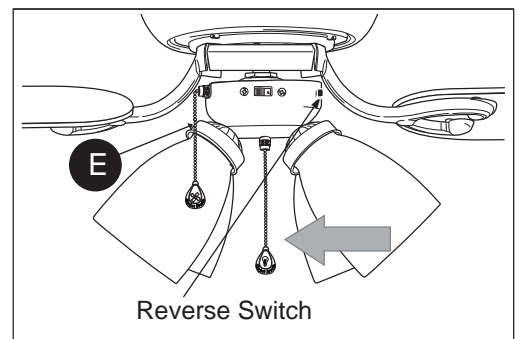
2. The pull chain in the center is used to turn the **lights** ON or OFF. (Fig. 2)

Fig. 2



3. Use the fan reverse switch, located on the light kit fitter (E), to optimize your fan for seasonal performance. (Fig. 3) A ceiling fan will allow you to raise your thermostat setting in summer and lower your thermostat setting in winter without feeling a difference in your comfort.

Fig. 3



Note: Wait for fan to stop before moving the reverse switch.

3A. In **warmer** weather, setting the reverse switch in the **LEFT** position will result in downward airflow creating a wind chill effect. (Fig. 3A)

Fig. 3A

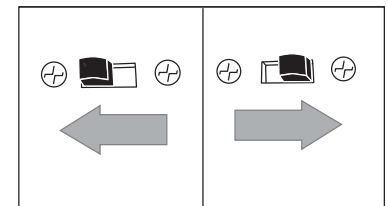
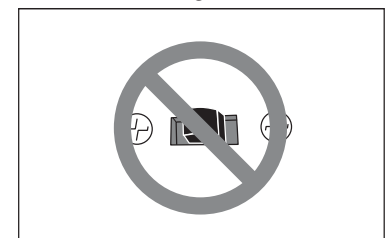


Fig. 3B

3B. In **cooler** weather, setting the reverse switch in the **RIGHT** position will result in upward airflow that can help move stagnant, hot air off the ceiling area. (Fig. 3B)

IMPORTANT: Reverse switch must be set either **completely LEFT** or **completely RIGHT** for fan to function. If the reverse switch is set in the **middle** position (Fig. 3C), fan will not operate.

Fig. 3C



CARE AND MAINTENANCE

At least twice each year, lower motor housing (A) to check motor assembly (D), and then tighten all screws on fan. Clean motor housing (A) with only a soft brush or lint-free cloth to avoid scratching the finish. Clean blades (H) with a lint-free cloth. You may occasionally apply a light coat of furniture polish to wood blades for added protection.

Important: Shut off main power supply before beginning any maintenance. Do not use water or a damp cloth to clean the ceiling fan.

TROUBLESHOOTING

⚠ WARNING: Before beginning work, shut off the power supply to avoid electrical shock.

Problem	Possible Cause	Corrective Action
Fan does not move.	<ol style="list-style-type: none"> 1. Reverse switch not engaged. 2. Power is off or fuse is blown. 3. Faulty wire connection. 	<ol style="list-style-type: none"> 1. Push switch firmly either left or right. 2. Turn power on or check fuse. 3. Turn power off. Loosen motor housing (A) and check all connections.
Noisy operation.	<ol style="list-style-type: none"> 1. Blades (H) are loose. 2. Cracked blade (H). 3. Full range dimmer switch. 4. Fan is new. 5. Motor housing (A) is loose. 	<ol style="list-style-type: none"> 1. Tighten all blade screws (BB). 2. Replace blade (H). 3. Replace with an approved speed control device. 4. Allow fan a "break in" period of a few days, especially when running the fan at Medium and High speeds. 5. Turn power off. Carefully loosen motor housing (A) and verify that mounting bracket (B) is secure according to instructions on page 9.
Excessive wobbling.	<ol style="list-style-type: none"> 1. Blades (H) are loose. 2. Blade arms (G) incorrectly attached. 3. Unbalanced blades (H). 4. Fan not securely mounted. 	<ol style="list-style-type: none"> 1. Tighten all blade screws (BB). 2. Re-install blade arms (G). 3. Switch one blade (H) with a blade (H) from the opposite side. 4. Turn power off. Carefully loosen motor housing (A) and verify that mounting bracket (B) is secure.
Fan operates but lights fail (if applicable).	<ol style="list-style-type: none"> 1. Bulb(s) not installed correctly. 2. Wires in outlet box not wired properly. 3. Wall switch to fan is off. 4. Wires light kit fitter (E) not wired correctly. 	<ol style="list-style-type: none"> 1. Re-install bulb(s). 2. Check wires in outlet box and, if necessary, re-wire according to instructions on pages 8 and 9. 3. Make sure that wall switch to fan is on. 4. Check wires in light kit fitter (E) and, if necessary, re-wire according to instructions on page 10.

Note: A small amount of "wobble" is normal and should not be considered a defect.

WARRANTY

LIMITED LIFETIME WARRANTY: Litex Industries warrants this fan to be free from defects in workmanship and materials present at time of shipment from the factory for Lifetime limited from the date of purchase. This warranty applies only to the original purchaser. Litex Industries agrees to correct any defect at no charge or, at our option, replace the ceiling fan with a comparable or superior model.

To obtain warranty service, present a copy of your sales receipt as proof of purchase. All cost of removal and reinstallation are the express responsibility of the purchaser. Any damage to the ceiling fan by accident, misuse or improper installation, or by using parts not produced by the manufacturer of this fan or affixing accessories not produced by the manufacturer of this fan, are the purchaser's own responsibility. Litex Industries assumes no responsibility whatsoever for fan installation during the limited lifetime warranty. Any service performed by an unauthorized person will render the warranty invalid.

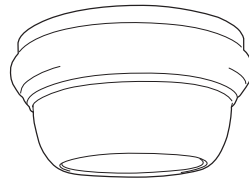
Due to varying climatic conditions, this warranty does not cover changes in brass finish, rusting, pitting, tarnishing, corroding or peeling. Brass finish fans maintain their beauty when protected from varying weather conditions. Any glass provided with this fan is not covered by the warranty.

Any replacement of defective parts for the ceiling fan must be reported within the first year from the date of purchase. For the balance of the warranty, call our customer service department (at **1-800-527-1292**) for return authorization and shipping instructions so that we may repair or replace the ceiling fan. Any fan or parts returned improperly packaged is/are the sole responsibility of the purchaser. There is no further express warranty. Litex Industries disclaims any and all implied warranties. The duration of any implied warranty which cannot be disclaimed is limited to the limited lifetime period as specified in our warranty. Litex Industries shall not be liable for incidental, consequential or special damages arising at or in connection with product use or performance except as may otherwise be accorded by law. This warranty gives you specific legal rights and you may also have other rights which vary from state to state. This warranty supersedes all prior warranties.

REPLACEMENT PARTS LIST

For replacement parts, call our customer service department at **1-800-527-1292**, 8:30 a.m.-5:00 p.m., CST, Monday-Friday. When ordering parts, please have the Model # or Item # of the fan available, which can be found on page 1.

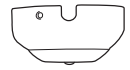
Part	Description
A	Motor Housing
B	Mounting Bracket
C	Extra Switch Housing
E	Light Kit Fitter
F	Glass Shade
G	Blade Arm
H	Blade
J	Pull Chain Extension
K	Plastic Lock Tab
L	Socket Ring



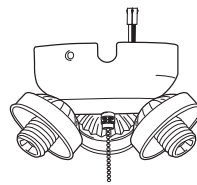
A



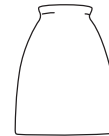
B



C



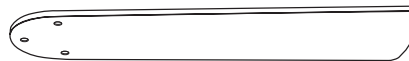
E



F



G



H



J



K



L

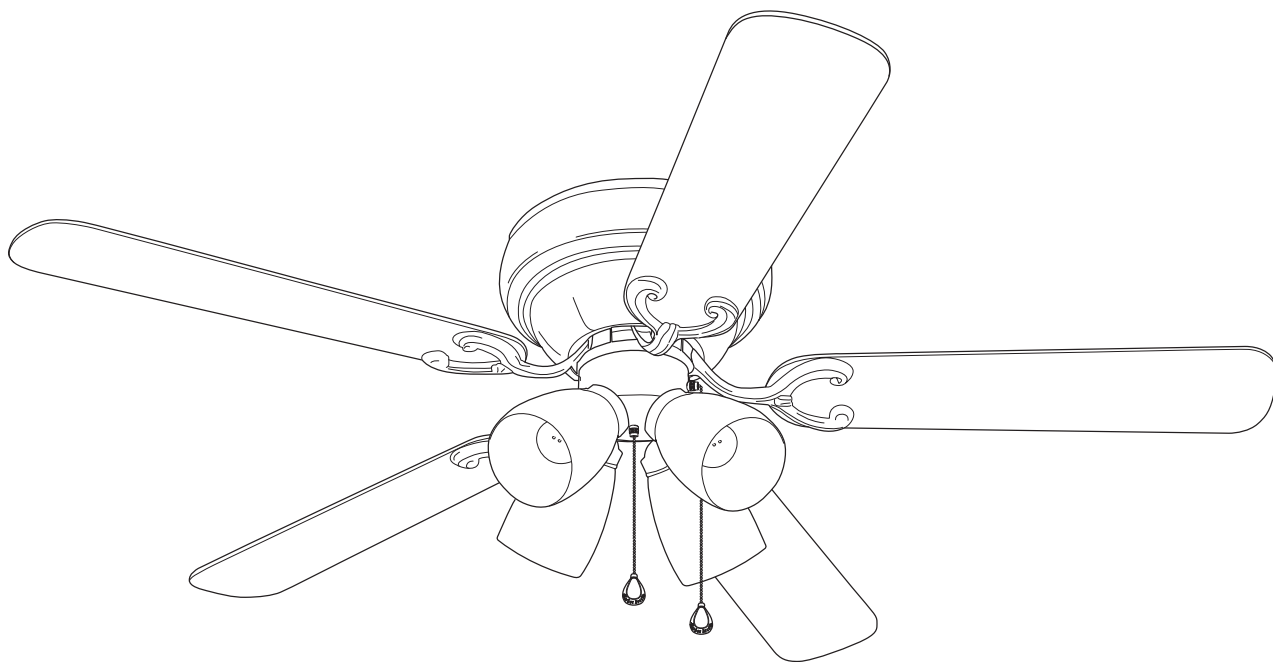


Harbor Breeze® es marca registrada de LF, LLC. Reservados todos los derechos.

ARTICULO #18037
18038

VENTILADOR DE TECHO CHESHIRE II

MODELO #CSD52FBZ5C4S
CSD52BNK5C4S



LISTED
E124404



¿Preguntas, problemas, faltan piezas? Antes de regresar a la tienda, llame o póngase en contacto con nuestro departamento de servicio al cliente al **1-800-527-1292**, de 8:30 a.m. a 5:00 p.m., hora central, de lunes a viernes.

INDICE DE MATERIAS


Información de seguridad	19
Contenido del paquete	20
Contenido de artículos de ferretería	21
Preparación	21 - 22
Instalación inicial	22 - 23
Conexión de los cables	24 - 25
Instalación final	26 - 28
Uso del ventilador sin el juego de luz (opcional)	28
Funcionamiento del ventilador	28 - 29
Cuidado y mantenimiento	29
Localización de fallas	30
Garantía	32
Lista de piezas de repuestos	33


INFORMACION DE SEGURIDAD

POR FAVOR LEA Y GUARDE ESTAS INSTRUCCIONES

Por favor lea el instructivo entero antes de tratar de ensamblar, instalar o hacer funcionar el producto. Si tiene alguna pregunta acerca del producto, por favor llame al servicio al cliente al **1-800-527-1292**, de 8:30 a.m. a 5:00 p.m., hora central, de lunes a viernes.


1. Antes de empezar a instalar el ventilador, desconecte la electricidad, quitando los fusibles o cortando el suministro de energía de los circuitos.

2.  **PRECAUCION:** Lea todas las instrucciones y la información de seguridad antes de instalar su ventilador nuevo. Revise los diagramas de ensamblaje acompañantes.


3.  **ADVERTENCIA:** Para reducir el riesgo de daño corporal, es posible que sea necesario usar guantes al manejar las piezas del ventilador que tengan bordes afilados.


4. Asegúrese de que todas las conexiones eléctricas cumplen con los códigos y las ordenanzas locales, con el Código Nacional Eléctrico (NEC, por sus siglas en inglés), y ANSI/NFPA 70-199. Contrate un electricista calificado o consulte una guía de instalación eléctrica de hágalo usted mismo, disponible en Lowe's, si no está familiarizado con la instalación eléctrica.


5. Asegúrese de que el lugar de instalación que usted escogió tiene un mínimo de 2,13 m de desde las paletas hasta el piso y que la punta de las paletas quede a por lo menos 76,2 cm de cualquier obstrucción.


6.  **ADVERTENCIA:** Para reducir el riesgo de incendio, choque eléctrico o daño corporal, sujete el ventilador a una caja de salida marcada "Aceptable para sostener ventilador" ("ACCEPTABLE FOR FAN SUPPORT" en inglés) y use los tornillos de montaje proporcionados con la caja de salida. La mayoría de las cajas de salida que se usan comúnmente para sostener aparatos de alumbrado no son aceptables para sostener ventiladores y es posible que sea necesario reemplazarla. Consulte con un electricista calificado si tiene alguna duda. Asegure la caja de salida directamente a la estructura del edificio. La caja de salida y el soporte deben ser capaces de sostener el peso móvil del ventilador (por lo menos 15,88 kg). NO use una caja de salida plástica.

7. Después de instalar el ventilador, verifique que todas las conexiones estén seguras para que no se caiga el ventilador.

8.  **ADVERTENCIA:** Para reducir el riesgo de incendio, choque eléctrico o daño corporal, los conectores para cable provistos con este ventilador son diseñados para aceptar sólo un cable de calibre 12 de la casa y dos cables principales del ventilador. Si el calibre del cable de la casa es superior al 12 o hay más de un cable de la casa para conectar a los cables principales del ventilador, consulte con un electricista para informarse sobre el tamaño correcto de conectores para cable que se debe usar.

9.  **ADVERTENCIA:** Para reducir el riesgo de incendio o un choque eléctrico, no use el ventilador con ningún control de velocidad de estado sólido ni controle la velocidad del ventilador con un interruptor con reductor de luz de gama completa.

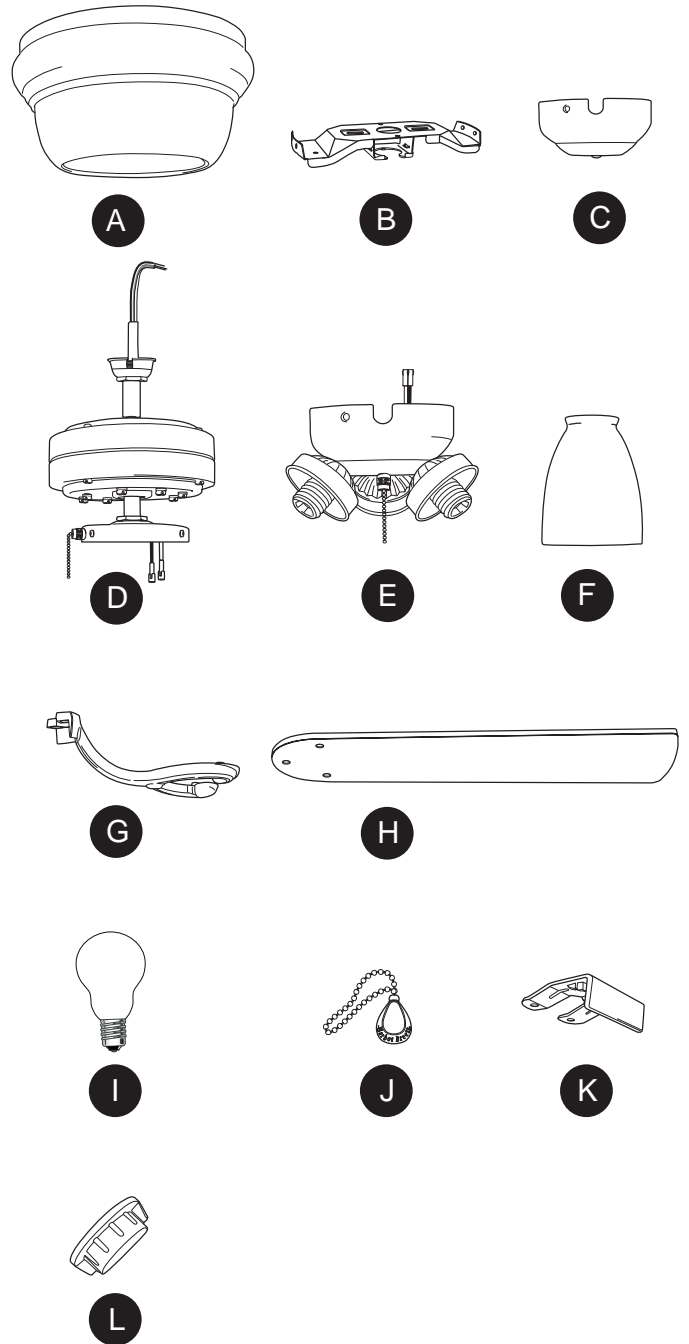
10.  **ADVERTENCIA:** Para reducir el riesgo de incendio, choque eléctrico o lesión personal, no doble los brazos de las paletas mientras las esté instalando, ni cuando esté balanceando las paletas ni cuando esté limpiando el ventilador. No inserte objetos entre las paletas giratorias del ventilador.

11.  **ADVERTENCIA:** Para reducir el riesgo de lesión personal, use **sólo** las piezas provistas con este ventilador. **Al usar piezas *DISTINTAS* a las provistas con este ventilador se invalidará la garantía.**

12. El peso neto del ventilador con el juego de luz es de: 8,3 kg.

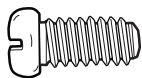


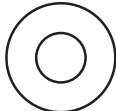
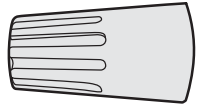

CONTENIDO DEL PAQUETE

Pieza	Descripción	Cantidad
A	Bastidor del motor	1
B	Soporte de montaje	1
C	Cubierta de la caja del interruptor adicional (para uso sin el juego de luz)	1
D	Unidad del motor	1
E	Conector para el juego de luz	1
F	Pantalla de vidrio	4
G	Brazo para la paleta	5
H	Paleta	5
I	Bombilla de base candelabro	4
J	Extensión para la cadena de encendido (en paquete de artículos de ferretería)	2
K	Seguro de plástico	1
L	Anillo de portalampara (sujetado al conector para el juego de luz)	4



⚠ RECORDATORIO IMPORTANTE: Se tienen que utilizar las piezas provistas con este ventilador para una instalación adecuada y su seguridad. **⚠**

CONTENIDO DE ARTICULOS DE FERRETERIA

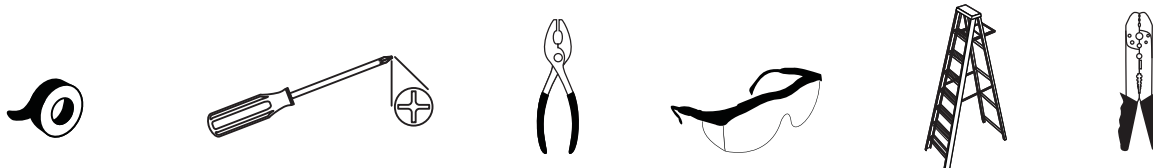
Pieza	Descripción	Cantidad	Se muestra la pieza en tamaño natural
AA	Tornillo del motor (10 en el motor; 1 en el paquete de artículos de ferretería)	11	
BB	Tornillo para la paleta 4,76 mm (en paquete de artículos de ferretería)	16	
CC	Arandela de seguridad 5,4 M/M (10 en el motor; 1 en el paquete de artículos de ferretería)	11	
DD	Arandela para la paleta (en paquete de artículos de ferretería)	16	
EE	Conector para cable E3 (en paquete de artículos de ferretería)	4	
FF	Tornillo para montaje del bastidor (sujetado al soporte de montaje)	4	

PREPARACION

1. Antes de empezar con el ensamblaje e instalación del producto, asegúrese de tener todas las piezas. Compare las piezas con la lista y los diagramas del "Contenido del paquete" en la página anterior. Si falta alguna pieza o se encuentra dañada, no trate de ensamblar, instalar o hacer funcionar el producto.

Tiempo estimado para la instalación: 120 minutos

Herramientas necesarias para el ensamblaje (no incluidas): cinta aislante, destornillador Phillips, alicate, gafas protectoras, escalera portátil, pela cables.



Herramientas opcionales (no incluidas): lámpara probador CA, cinta de medir, guía de instalación eléctrica de hágallo usted mismo (disponible en Lowe's), cortaalambres.



PREPARACION

Bombillas necesarias (incluidas):

4 bombillas de base candelabro de 60 vatios máx.



! PELIGRO: Cuando utilice una caja de salida existente, asegúrese de que la caja de salida esté firmemente sujeta a la estructura del edificio para que pueda sostener el peso total del ventilador. El no hacer ésto puede resultar en graves daños o la muerte. La estabilidad de la caja de salida es esencial para minimizar tambaleo y ruido en el ventilador una vez que se haya terminado la instalación.

! PRECAUCION: Asegúrese de que la caja de salida esté conectada a tierra correctamente y que haya un conductor a tierra (cable verde o pelado).

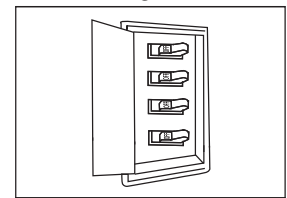
2. Después de abrir la parte superior de la caja de cartón, saque el paquete de ferretería para montaje de las inserciones de goma espuma. Saque el motor del empaquetado y póngalo en la alfombra o sobre la goma espuma para evitar daño al acabado.

! PRECAUCION: Cuidadosamente verifique que todos los tornillos, los pernos y las tuercas en el motor del ventilador están seguros.

INSTALACION INICIAL

1. Apague todos los disyuntores del circuito y el interruptor de pared a la línea de suministro de electricidad del ventilador. (Fig. 1)

Fig. 1

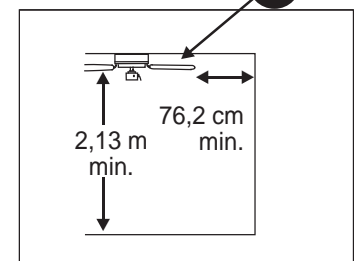


! PELIGRO: El no desconectar el suministro de electricidad antes de la instalación puede resultar en daños graves o la muerte.

2. Asegúrese de que las paletas (H) del ventilador quedarán a por lo menos 30 pulgadas (76,2 cm) de cualquier obstrucción y a por lo menos 7 pies (2,13 m) arriba del nivel del piso. (Fig. 2)

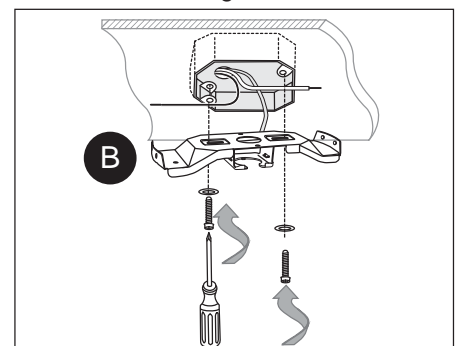
Fig. 2

H



3. Asegure el soporte de montaje (B) a la caja de salida con los tornillos, las arandelas de resorte, y las arandelas planas provistos con la caja de salida. Pase los cables por el agujero de en medio del soporte de montaje (B).[Fig. 3]

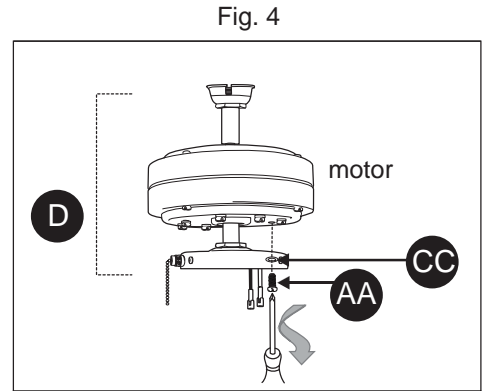
Fig. 3



***Nota:** Es muy importante usar los artículos de ferretería correctos al instalar el soporte de montaje (B) puesto que sirve para sostener el ventilador.

INSTALACION INICIAL

4. Saque los tornillos del motor (AA) y las arandelas de seguridad (CC) del lado inferior del motor--*guárdelos para sujetar los brazos para las paletas (G) más adelante.* Si hay también soportes de plástico del motor, deséchelos soportes de plástico en este momento. (Fig. 4)

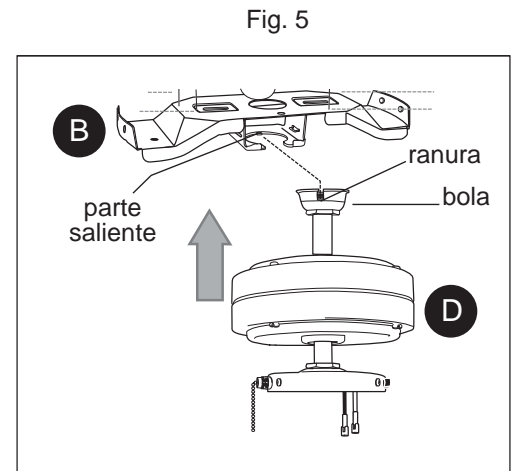


Artículos de ferretería que se usaron

AA	Tornillo del motor		x 10
CC	Arandela de seguridad 5,4 M/M		x 10

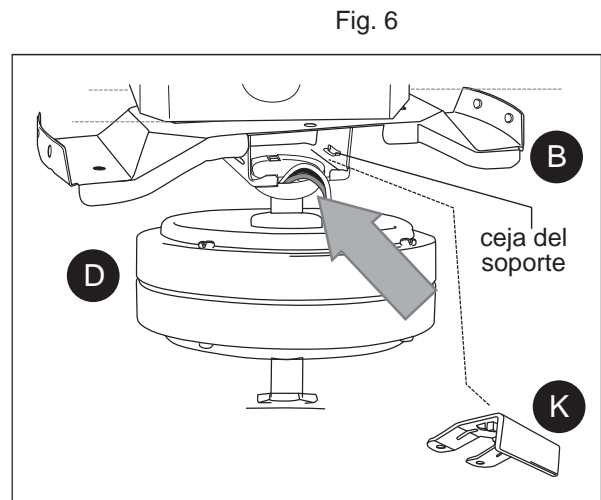
5. Instale el extremo con la bola de la unidad del motor (D) en la abertura del soporte de montaje (B). Alinee la ranura en la bola con la lengüeta del soporte de montaje (B). (Fig. 5)

⚠ PELIGRO: El no alinear la ranura en la bola con la lengüeta en el soporte de montaje (B) puede ser causa de graves daños o muerte.



6. Para asegurar la seguridad de la instalación y para evitar que se afloje o se caiga la unidad del motor (D), use el seguro de plástico (K). El seguro de plástico (K) debe entrar debajo de las cejas del soporte para cerrar bien con un clic. (Fig. 6)

IMPORTANTE: Tenga presente que se requerirá un poco de fuerza para introducir el seguro de plástico (K) completamente para que no se mueva ni se salga una vez que esté en la posición correcta.



CONEXION DE LOS CABLES

⚠ ADVERTENCIA: Para reducir el riesgo de incendio, choque eléctrico o daño corporal, los conectores para cable provistos con este ventilador son diseñados para aceptar sólo un cable de calibre 12 de la casa y dos cables principales del ventilador. Si el calibre del cable de la casa es superior al 12 o hay más de un cable de la casa para conectar a los cables principales del ventilador, consulte con un electricista para informarse sobre el tamaño correcto de conectores para cable que se debe usar.

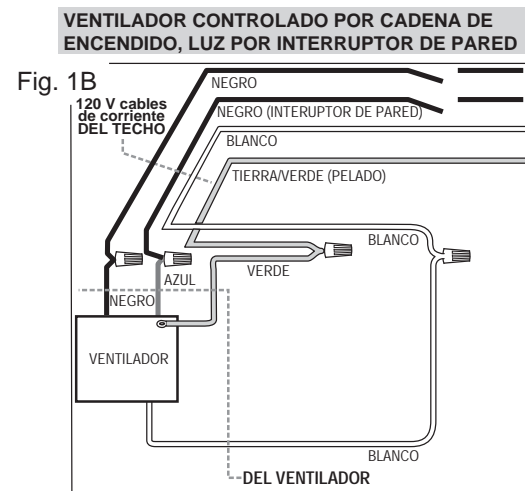
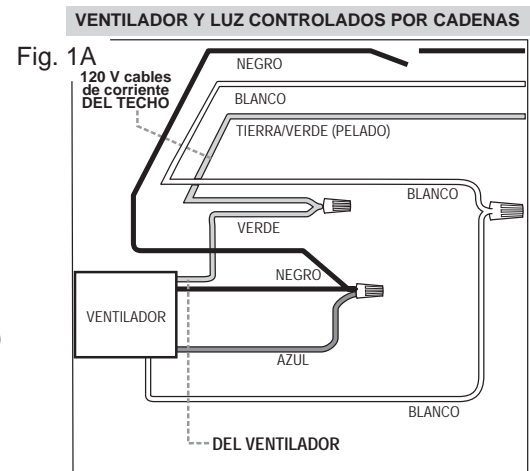
⚠ ADVERTENCIA: Asegúrese de que la caja de salida esté conectada a tierra correctamente y que haya un conductor a tierra (cable verde o pelado).

⚠ ADVERTENCIA: Si los cables de la casa son de colores diferentes a los mencionados en los siguientes pasos, suspenda el trabajo inmediatamente. Se recomienda que un electricista profesional determine la instalación eléctrica que se debe hacer.

1. Escoja el diagrama de instalación eléctrica (Fig. 1A, Fig. 1B o Fig. 1C) que corresponde a su situación y haga las conexiones apropiadas según lo que sigue: [NOTA: Para cada conexión de cable que se va a hacer a continuación, use uno de los conectores para cable (EE) provistos, asegurándose de atornillar el conector para cable (EE) en el sentido de las agujas del reloj.]

1A. VENTILADOR Y LUZ CONTROLADOS POR CADENAS DE ENCENDIDO: Conecte el cable **NEGRO** y el **AZUL** del ventilador al cable **NEGRO** del techo. Conecte el cable **BLANCO** del ventilador al cable **BLANCO** del techo. Conecte el **CONDUCTOR A TIERRA** cable **VERDE** del soporte de montaje al cable **PELADO/VERDE** del techo. (Fig. 1A)

1B. VENTILADOR CONTROLADO POR CADENA DE ENCENDIDO, LUZ POR INTERRUPTOR DE PARED: Si usted piensa controlar la luz del ventilador con un interruptor distinto, conecte el cable **NEGRO** del ventilador al cable **NEGRO** del techo. Conecte el cable **AZUL** del ventilador al cable **NEGRO** que corresponde al interruptor independiente. Conecte el cable **BLANCO** del ventilador al cable **BLANCO** del techo. Conecte el **CONDUCTOR A TIERRA** cable **VERDE** del soporte de montaje al cable **PELADO/VERDE** del techo. (Fig. 1B)



CONEXION DE LOS CABLES

1C. VENTILADOR Y LUZ CONTROLADOS POR DOS INTERRUPTORES DE PARED: Si usted piensa controlar la luz y el ventilador con interruptores distintos, conecte el cable **NEGRO** del ventilador al cable **NEGRO** que corresponde al interruptor independiente del ventilador. Conecte el cable **AZUL** del ventilador al cable **NEGRO** que corresponde al otro interruptor independiente para la luz. Conecte el cable **BLANCO** del ventilador al cable **BLANCO** del techo. Conecte el **CONDUCTOR A TIERRA** cable **VERDE** del soporte de montaje al cable **PELADO/VERDE** del techo. [Fig. 1C]

Nota: El cable negro es positivo (conduce energía eléctrica) del ventilador. El cable azul es positivo (conduce energía eléctrica) del juego de luz. El cable blanco es tanto para el ventilador como para el juego de luz. El cable verde o pelado es el que hace tierra.

2. Ponga cinta aislante en cada conector para cable (EE) hasta llegar al cable como se muestra en la Fig. 2.

⚠ ADVERTENCIA: Asegúrese de que no se vean cables pelados ni filamentos después de hacer las conexiones. Coloque las conexiones verdes y blancas en la caja al lado opuesto de las negras y azules (si aplica).

Voltee los cables empalmados (que tienen cinta aislante) hacia arriba y con cuidado meta los cables y los conectores para cable (EE) dentro de la caja de salida.

IMPORTANTE: El usar un interruptor con reductor de luz de gama completa para controlar la velocidad del ventilador causará un zumbido recio en el ventilador. Para reducir el riesgo de incendio o choque eléctrico, **NO** use un interruptor con reductor de luz de gama completa para controlar la velocidad del ventilador. (Fig. 3)

VENTILADOR Y LUZ CONTROLADOS POR DOS INTERRUPTORES DE PARED

Fig. 1C

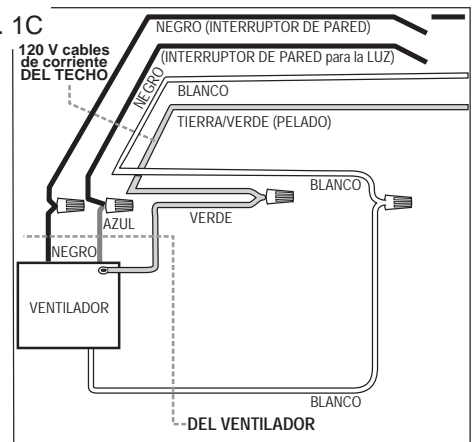
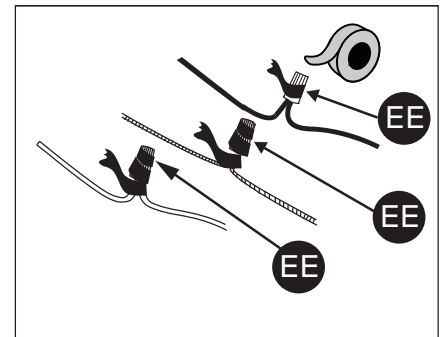


Fig. 2



Artículos de ferretería que se usaron

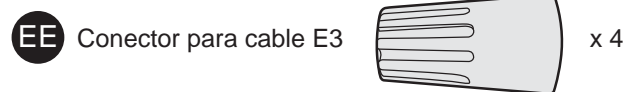
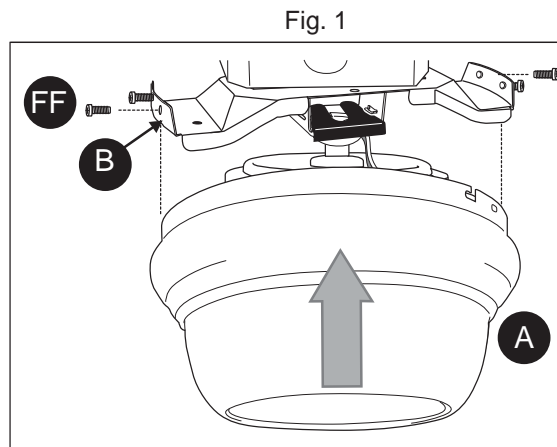


Fig. 3



INSTALACION FINAL

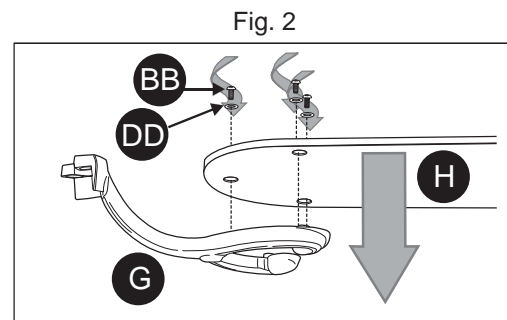
1. Temporalmente levante el bastidor del motor (A) al soporte de montaje (B) para determinar cuáles dos tornillos para montaje del bastidor del motor (FF) se alinean con los agujeros con ranura en el bastidor del motor (A) y afloje dichos tornillos (FF) parcialmente. Quite los otros dos tornillos (FF). Ahora, levante el bastidor del motor (A) al soporte de montaje (B) de nuevo, alineando los agujeros con ranura en el bastidor del motor (A) con los tornillos (FF) aflojados en el soporte de montaje (B). Gire el bastidor del motor (A) para cerrarlo. Vuelva a introducir los tornillos (FF) que se quitaron anteriormente. Apriete bien los cuatro tornillos (FF). [Fig. 1]



Artículos de ferretería que se usaron

FF Tornillo para montaje de la cubierta x 4

2. Parcialmente introduzca tres tornillos para la paleta (BB), junto con tres arandelas para la paleta (DD), para sujetar un brazo para la paleta (G) a una paleta (H). Luego, apriete cada tornillo para la paleta (BB), empezando con el de en medio. (Fig. 2) Repita esto con las demás paletas (H).



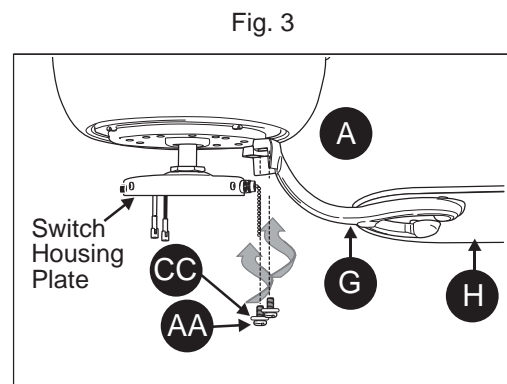
Artículos de ferretería que se usaron

BB Tornillo para la paleta 4,76 mm x 15

DD Arandela de seguridad x 15

3. Localice los tornillos del motor (AA) y las arandelas de seguridad (CC) que se quitaron en el paso 4 en la página 23.

Introduzca un tornillo del motor (AA), junto con una arandela de seguridad (CC), en uno de los brazos para la paleta (G) para sujetar el brazo para la paleta (G) al motor. Parcialmente apriete el tornillo del motor (AA). Ahora, introduzca otro tornillo del motor (AA), junto con una arandela de seguridad (CC), para sujetar el brazo para la paleta (G). Apriete bien los dos tornillos del motor (AA). (Fig. 3)



Artículos de ferretería que se usaron

AA Tornillo del motor x 10

CC Arandela de seguridad 5,4 M/M x 10

Nota: Para tener acceso fácil a los tornillos del motor (AA), gire la placa de la caja del interruptor para que la parte plana de la placa de la caja del interruptor se alinee con los dos tornillos del motor (AA) en el brazo para la paleta (G).

Repita el paso 3 con los demás brazos para las paletas (G), asegurándose de asegurar cada brazo para la paleta (G) antes de seguir con el próximo.

INSTALACION FINAL

4. **Si desea UTILIZAR el juego de luz**, quite tres tornillos de la placa de la caja del interruptor del lado inferior del motor. Localice los cables **NEGRO** y **BLANCO** en la placa de la caja del interruptor etiquetados "FOR LIGHT" (para la luz) y quite la etiqueta de cartón y el plástico de dichos cables.

Conecte el cable **BLANCO** del conector para el juego de luz (E) al cable **BLANCO** de la placa de la caja del interruptor. Conecte el cable **NEGRO** del conector para el juego de luz (E) al cable **AZUL** de la caja de la placa del interruptor. Asegúrese de que las conexiones tipo "molex" estén bien sujetas. (Fig. 4) Continúe al paso 5.

Si NO desea utilizar el juego de luz, continúe a la sección "Uso del ventilador sin el juego de luz" en la página 28.

5. Delicadamente meta los cables y las conexiones tipo "molex" en la placa de la caja del interruptor. Alinee la ranura para la cadena de encendido del ventilador con la cadena de encendido del ventilador y sujete el conector para el juego de luz (B) al ventilador con los tornillos que se quitaron en el paso anterior. Use un destornillador Phillips para asegurar los tres tornillos. (Fig. 5)

6. Quite el anillo de portalámpara (L) de cada portalámpara. Use un anillo de portalámpara (L) para sujetar cada pantalla de vidrio (F). (Fig. 6)

Nota: No apriete los anillos de portalámpara (L) demasiado porque que el vidrio se puede rajar o romper.

7. Instale las cuatro bombillas de base candelabro (I) de 60 vatios incluidas. (Fig. 7)

Importante: Cuando reemplace las bombillas, por favor permita que se enfríen las bombillas y las pantallas de vidrio (F) antes de tocarlas.

Fig. 4

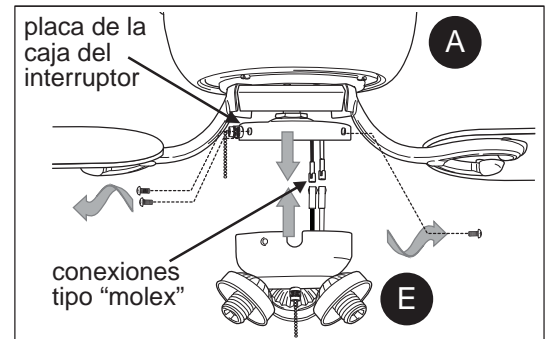


Fig. 5

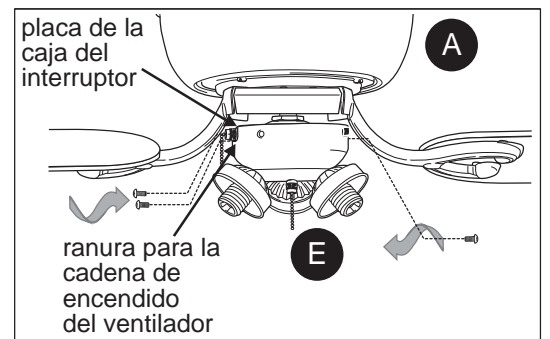


Fig. 6

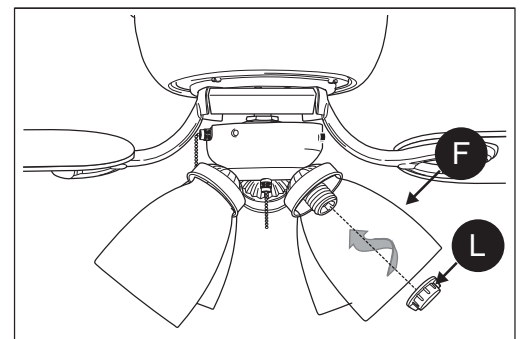
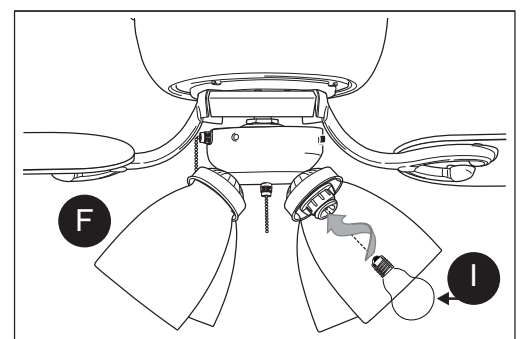
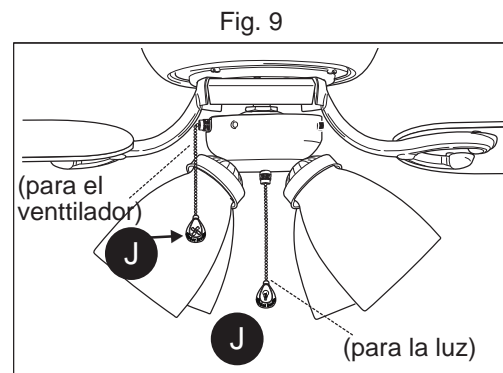


Fig. 7



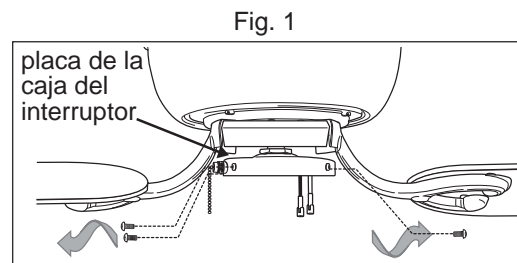
INSTALACION FINAL

8. Las extensiones para las cadenas de encendido (J) provistas en uno de los paquetes de artículos de ferretería o las extensiones para cadena de encendido hechas a medida (no incluidas) se pueden fijar a las cadenas de encendido para el ventilador y la luz (Fig. 8)

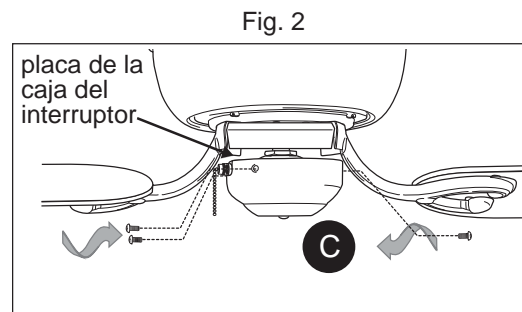


USO DEL VENTILADOR SIN EL JUEGO DE LUZ (OPCIONAL).

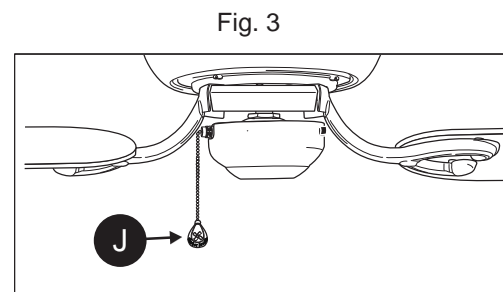
1. **Si NO desea utilizar el juego de luz,** quite tres tornillos de la placa de la caja del interruptor. (Fig. 1)



2. Alinee los agujeros de la caja del interruptor adicional (C) con los agujeros en el borde exterior de la placa de la caja del interruptor. (Nota: El espacio ancho en el borde superior de la caja del interruptor adicional (C) debe alinearse con el interruptor de reversa en la placa de la caja del interruptor para que se sujeten bien.) Volver a introducir los tornillos que apenas se quitaron. Use un destornillador Phillips para asegurar los tornillos. (Fig. 2)

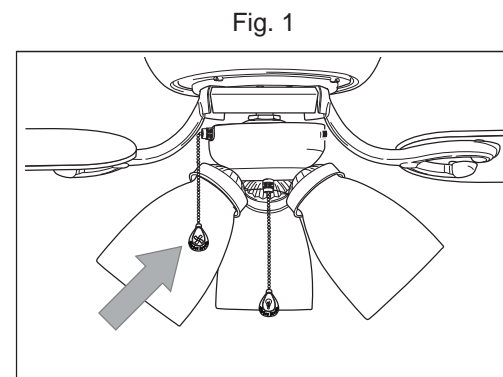


3. La extensión para la cadena de encendido (J) provista en uno de los paquetes de artículos de ferretería o una extensión para cadena de encendido hecha a medida (no incluida) se pueden fijar al ventilador. (Fig. 3)



FUNCIONAMIENTO DEL VENTILADOR

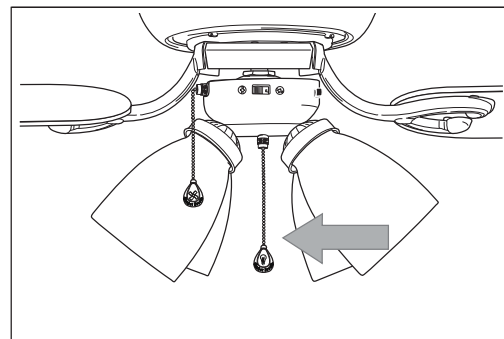
1. La cadena de encendido del ventilador localizada en la placa de la caja del interruptor tiene cuatro posiciones para controlar la velocidad del **ventilador**. Jálala una vez para la velocidad ALTA, dos veces para la velocidad MEDIA, tres veces para la velocidad BAJA y cuatro veces para APAGAR el ventilador. (Fig. 1)



FUNCIONAMIENTO DEL VENTILADOR

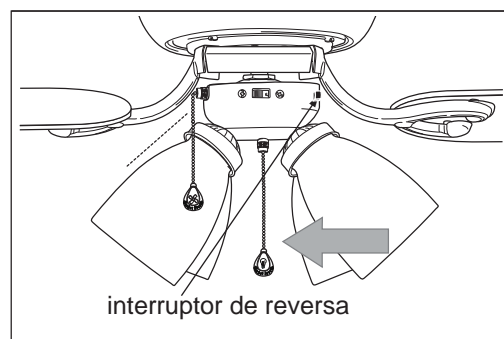
2. La cadena de encendido localizada en el centro se usa para ENCENDER o APAGAR las **luces**. (Fig. 2)

Fig. 2



3. Use el interruptor de reversa, localizada en el conector para el juego de luz (E), para optimizar el uso del ventilador durante las estaciones. (Fig. 3) Un ventilador de techo le permitirá subir el termostato en verano y bajarlo en invierno sin notar una diferencia en su comodidad.

Fig. 3



Nota: Espere a que se detenga completamente el ventilador antes de usar el interruptor de reversa.

3A. En un clima más **caluroso**, el mover el interruptor de reversa a la **IZQUIERDA** producirá un flujo de aire descendente creando un efecto de viento refrescante. (Fig. 3A)

Fig. 3A

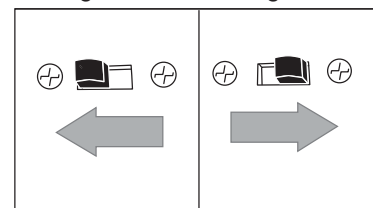
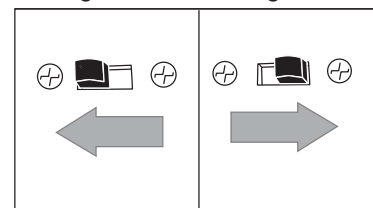


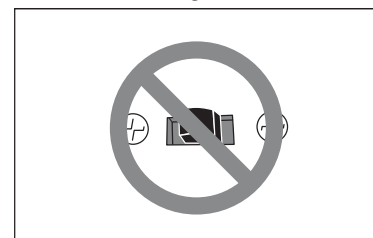
Fig. 3B



3B. En un clima más **fresco**, el mover el interruptor de reversa a la **DERECHA** producirá un flujo de aire ascendente que podrá servir para mover el aire caliente acumulado en el techo. (Fig. 3B)

IMPORTANTE: Hay que mover el interruptor de reversa o **completamente** hacia la **DERECHA** o **completamente** hacia la **IZQUIERDA** para que funcione el ventilador. Si el interruptor de reversa está puesto en la posición *de en medio* [Fig. 3C], no funcionará el ventilador.

Fig. 3C



CUIDADO Y MANTENIMIENTO

Baje el bastidor del motor (A) para inspeccionar la unidad del motor (D) por lo menos dos veces al año, y luego apriete todos los tornillos del ventilador. Limpie el bastidor del motor (A) solamente con un cepillo suave o un paño que no tenga pelusa para no rayar el acabado. Limpie las paletas (H) con un paño que no tenga pelusa. De vez en cuando usted puede lustrar las paletas de madera con un poco de cera para muebles como una protección adicional.

Importante: Apague la fuente principal del suministro de electricidad antes de iniciar cualquier tipo de mantenimiento. No use agua ni un paño húmedo para limpiar el ventilador.

LOCALIZACION DE FALLAS

⚠ ADVERTENCIA: Antes de empezar cualquier trabajo, corte el suministro de electricidad para evitar un choque eléctrico.

Problema	Causa posible	Acción correctiva
El ventilador no se mueve.	<ol style="list-style-type: none"> 1. El interruptor de reversa no está prendido. 2. No hay electricidad o se ha saltado un fusible. 3. Conexión de cables defectuosa. 	<ol style="list-style-type: none"> 1. Mueva el interruptor firmemente hacia arriba o hacia abajo. 2. Conecte la electricidad o inspeccione el fusible. 3. Apague la electricidad. Afloje el bastidor del motor (A) e inspeccione todas las conexiones.
Funcionamiento ruidoso.	<ol style="list-style-type: none"> 1. Las paletas (H) están flojas. 2. Paleta (H) rota. 3. Interruptor con reductor de luz de gama completa. 4. El ventilador es nuevo. 5. El bastidor del motor (A) está flojo. 	<ol style="list-style-type: none"> 1. Apriete todos los tornillos para las paletas (BB). 2. Reemplace la paleta (H). 3. Reemplace el control con un aparato de control de velocidad aprobado. 4. Permita unos días para que el motor del ventilador se equilibre, especialmente al usar el ventilador a velocidad media o alta. 5. Apague la electricidad. Afloje el bastidor del motor (A) y verifique que el soporte de montaje (C) esté bien sujeto según las instrucciones en la página 26.
Tambaleo excesivo.	<ol style="list-style-type: none"> 1. Las paletas (H) están flojas. 2. No se instalaron correctamente los brazos para las paletas (G). 3. Las paletas (H) no están equilibradas. 4. El ventilador no está sujetado bien. 	<ol style="list-style-type: none"> 1. Apriete todos los tornillos para las paletas (BB). 2. Instale los brazos para las paletas (G) de nuevo. 3. Intercambie una paleta (H) con otra del lado contrario. 4. Apague la electricidad. Afloje el bastidor del motor (A) y verifique que el soporte de montaje (B) esté bien sujeto.
El ventilador funciona pero las luces no (si aplica).	<ol style="list-style-type: none"> 1. No se instalaron bien la(s) bombilla(s). 2. No se conectaron correctamente los cables en la caja de salida. 3. El interruptor de pared para el ventilador está apagado. 4. No se conectaron correctamente los cables en el conector para el juego de luz (E). 	<ol style="list-style-type: none"> 1. Instale la(s) bombilla(s) de nuevo. 2. Verifique que se conectaron bien los cables en la caja de salida y, si es necesario, vuelva a conectarlos según las instrucciones en las páginas 24 y 25. 3. Asegúrese de que el interruptor de pared para el ventilador esté prendido. 4. Verifique que se conectaron bien los cables en el conector para el juego de luz (E) y, si es necesario, vuelva a conectarlos según las instrucciones en la página 27.

Nota: Un pequeño “tambaleo” es normal y no se debe considerar como defecto.

GARANTIA

GARANTIA LIMITADA DE POR VIDA: Litex Industries garantiza que este ventilador está libre de defectos de mano de obra y de materiales desde la fecha de salida de la fábrica por el tiempo de por vida limitada a partir de la fecha de compra. Esta garantía sólo se aplica al comprador original. Litex Industries se compromete a corregir cualquier defecto libre de cargo o, si lo considera necesario, a reemplazar el ventilador por un modelo equiparable o superior.

Para recibir servicio durante el período de garantía, debe presentar una copia del recibo como comprobante de compra. Cualquier costo derivado de la remoción y la re-instalación será responsabilidad explícita del comprador. Cualquier daño accidental al ventilador o por uso inadecuado o instalación incorrecta o por usar piezas no producidas por el fabricante de este ventilador o por la fijación de accesorios no producidos por el fabricante de este ventilador, será la responsabilidad del comprador. Litex Industries no se hace responsable en ningún modo de la instalación del ventilador durante el período de garantía limitada de por vida. Cualquier servicio prestado por una persona no autorizada invalida la garantía.

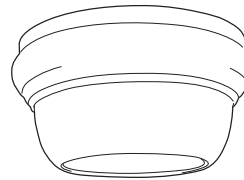
Debido a los distintos tipos de condiciones climáticas, esta garantía no cubre ningún cambio en el acabado bronce, ni por la oxidación, marcas, la decoloración, la corrosión ni el descascarillado del material. Se conserva la belleza de un ventilador con acabado bronce protegiéndolo de las diversas condiciones de clima. Las pantallas provistas con el ventilador no están cubiertas por la garantía.

Cualquier pieza defectuosa del ventilador de techo se debe reportar dentro del primer año desde la fecha de compra. Si desea que reparemos o reemplacemos su ventilador, llame a nuestro departamento de servicio al cliente (al **1-800-527-1292**) para obtener una autorización de devolución e instrucciones de envío. Cualquier ventilador o pieza devuelta en malas condiciones de empaquetamiento será la responsabilidad única del comprador. No existe ninguna otra garantía expresa. Litex Industries rehusa cualquier y toda garantía implícita. La duración de cualquier garantía implícita a la que no se pueda renunciar se limita al tiempo de por vida especificado en nuestra garantía limitada. Litex Industries no es responsable de daños incidentales, emergentes ni especiales surgidos de o con respecto al uso o el funcionamiento del producto, salvo previo acuerdo con la ley. Esta garantía le da derechos legales específicos y es posible que usted también tenga otros derechos que pueden variar de estado en estado. Esta garantía reemplaza toda garantía previa.

LISTA DE PIEZAS DE REPUESTO

Para piezas de repuesto, llame a nuestro departamento de servicio al cliente al **1-800-527-1292**, de 8:30 a.m. a 5:00 p.m., hora central, de lunes a viernes. Al pedir piezas, por favor tenga listo el No. de modelo o No. de artículo del accesorio para iluminación, que se pueden encontrar en la página 17).

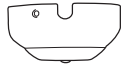
Pieza	Descripción
A	Bastidor del motor
B	Soporte de montaje
C	Caja del interruptor adicional
E	Conector para el juego de luz
F	Pantalla de vidrio
G	Brazo para la paleta
H	Paleta
J	Extensión para la cadena de encendido
K	Seguro de plástico
L	Anillo de portalámpara



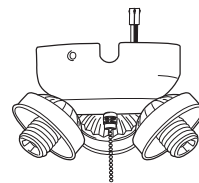
A



B



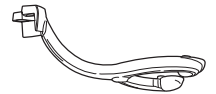
C



E



F



G



H



J



K



L



K



L