



ITEM #0398487  
0398489

PORTFOLIO® and PORTFOLIO & Design™ are trademarks or registered trademarks of LF, LLC. All rights reserved.

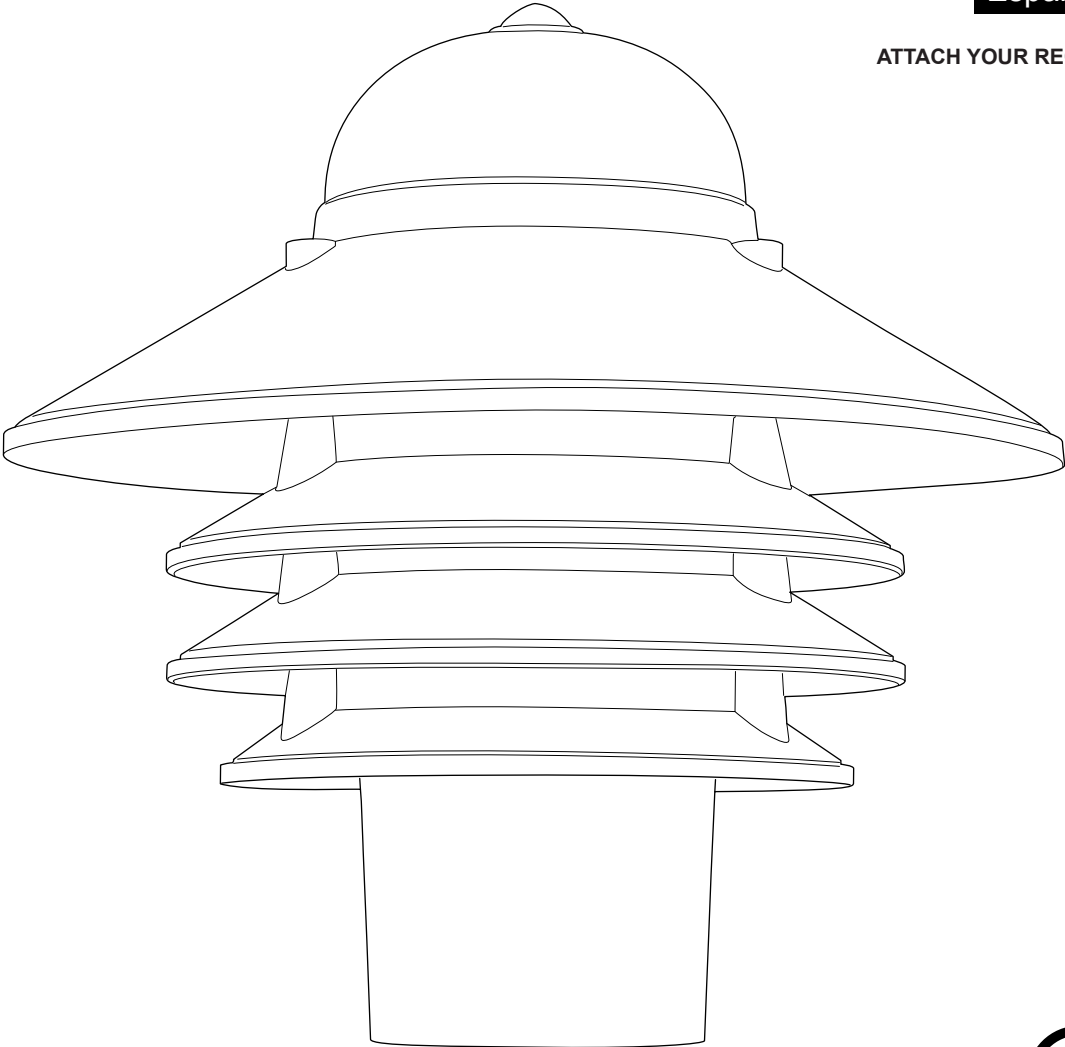
# POST LANTERN

MODEL #PL126BK  
PL126WW

Français p. 11

Español p. 21

ATTACH YOUR RECEIPT HERE



Purchase Date \_\_\_\_\_



**Questions, problems, missing parts?** Before returning to your retailer, call our customer service department at **1-800-643-0067**, 8 a.m. - 6 p.m., EST, Monday - Thursday, 8 a.m. - 5 p.m., EST, Friday.

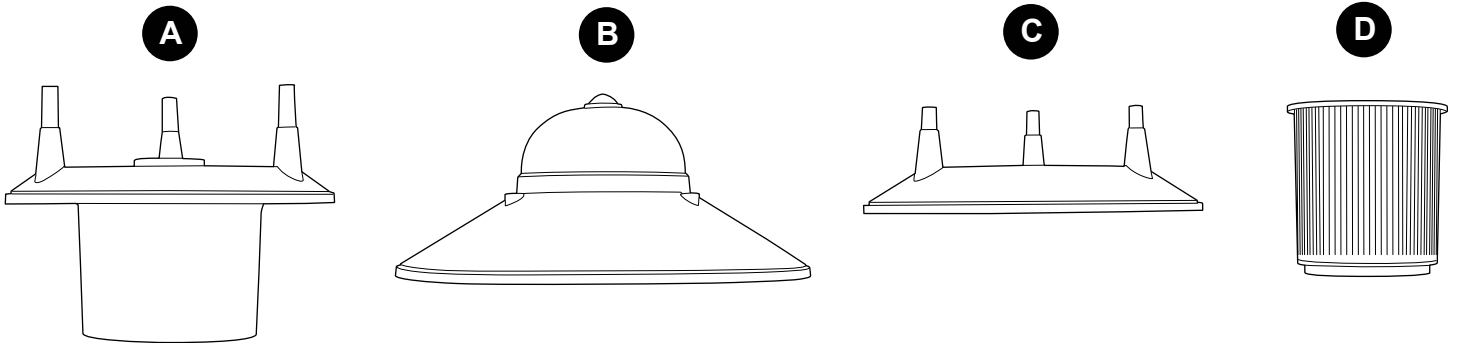
## TABLE OF CONTENTS

---

Package Contents .....	2
Hardware Contents .....	3
Safety Information .....	3
Preparation .....	5
Assembly Instructions .....	5
Care and Maintenance .....	10
Troubleshooting.....	10
Warranty .....	10

## PACKAGE CONTENTS

---

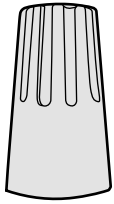


PART	DESCRIPTION	QUANTITY
A	Fixture	1
B	Fixture Cover	1
C	Spacer	2
D	Shade	1

## HARDWARE CONTENTS (shown actual size)

---

AA



Wire  
Connector

Qty. 3

BB



Mounting  
Screw

Qty. 1

CC



Decorative  
Nut

Qty. 3

DD



Fixture  
Screw

Qty. 3



### SAFETY INFORMATION

---

**READ AND SAVE THESE INSTRUCTIONS.**



### DANGER

- For your protection and safety, carefully read and understand the information provided in this manual completely before attempting to assemble, install or operate this product. Failure to do so could lead to electrical shock, fire or other injuries that could be hazardous or even fatal.
- If using this light fixture in a WET location, this light fixture must be connected to a supply circuit that is protected by a Ground Fault Circuit Interrupter (GFCI) to reduce the risk of personal injury, electrical shock or death.
- DO NOT connect this fixture to an electrical system that does not provide a means for equipment grounding. Never use a fixture in a two-wire system that is not grounded. Installing a fixture into an electrical system not having a proper grounding means could cause metal parts of the fixture to carry electrical currents if any of the fixture wires, wire connections or splices were to become broken, cut or loose during the mounting or normal operation of the fixture. Under this condition, anyone coming in contact with the fixture would be subject to electrical shock, which could cause serious injury or death.

## SAFETY INFORMATION

---

- DO NOT connect the bare or green insulation fixture ground wire to the black (HOT) current-carrying wire or the white (NEUTRAL) house wire. Connection of the bare or green fixture ground wire to the black or white house wires may cause metal parts of the fixture to carry electrical currents. Under this condition, anyone coming in contact with the fixture will receive electrical shock, which could cause serious injury or death.
- DO NOT damage or cut the wire insulation (covering) during installation of fixture. DO NOT permit wires to contact any surface having a sharp edge. To do so may damage or cut the wire insulation, which could cause serious injury or death from electrical shock.

## WARNING

- All electrical connections must be in agreement with local codes and ordinances, the National Electric Code (NEC) and ANSI/NFPA 70-1999. Contact your municipal building department to learn about your local codes, permits and/or inspections. Risk of fire - most dwellings built before 1985 have supply wire rated for 140°F. Consult a qualified electrician before installation.
- To avoid personal injury, the use of gloves may be necessary while handling fixture parts with sharp edges.
- A fixture must always be mounted directly to a post (for a post light) or a pier base that is first installed according to the electrical specifications and instructions accompanying that product. Wire connectors will not support the weight of a fixture. Suspending a fixture by the house wires and wire connectors will result in the fixture falling, with the possibility of personal injury and the danger of electrical shock or fire.
- To reduce the risk of fire, electrical shock, or personal injury, wire connectors provided with this light fixture are designed to accept only one 12-gauge house wire and two lead wires from the light fixture. If your house wire is larger than 12-gauge or there is more than one house wire to connect to the corresponding fixture lead wires, consult an electrician for the proper size wire connectors to use.
- To avoid water damage to fixture or possible electrical malfunction, install fixture at least 4 ft. above the ground/floor.
- Failure to caulk fixture mounting surface with silicone weather sealant may result in water damage in outlet box, which may cause electrical malfunction or electrical shock.

## CAUTION

- TURN OFF ELECTRICITY at main fuse box (or circuit breaker box) before beginning installation by removing the fuse (or switching the circuit breaker off).
- If you are not sure the lighting system has a grounding means, DO NOT attempt to install this fixture. Contact a qualified, licensed electrician for information regarding the proper grounding methods as required by the local electrical code in your area.
- All fixtures must be mounted to a post (for a post light) or pier base that has been installed according to the manufacturer's instructions for that product.
- DO NOT use bulbs having a wattage greater than the maximum value stated on the fixture. The use of bulbs with higher wattage than specified will increase temperatures and risk of fire.
- If a dimmer control switch is used with this fixture, obtain professional advice to determine the correct type to use as well as the electrical rating required.

## PREPARATION

Before beginning assembly of product, make sure all parts are present. Compare parts with package contents list and hardware contents list. If any part is missing or damaged, do not attempt to assemble the product.

**Estimated Assembly Time: 30 minutes**

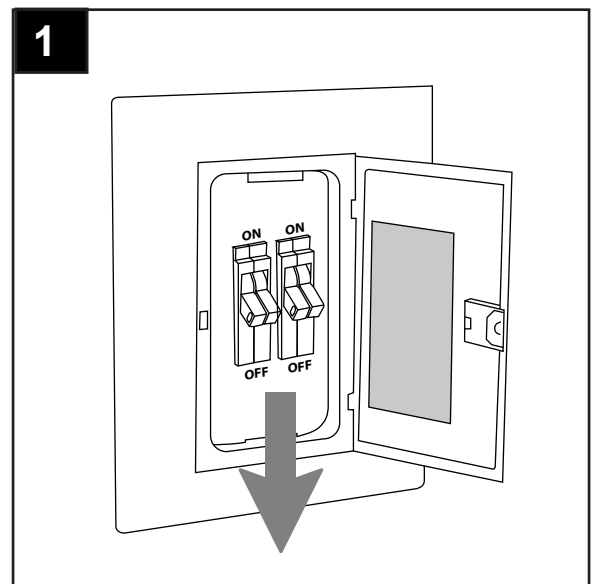
Tools Required for Assembly (not included): Flathead Screwdriver, Phillips Screwdriver, Wire Strippers, Pliers, Wire Cutters, Safety Glasses, Stepladder, Electrical Tape, Silicone Weather Sealant

Helpful Tools (not included): A/C Tester Light, Do-It-Yourself Guide, Soft Cloth, Level

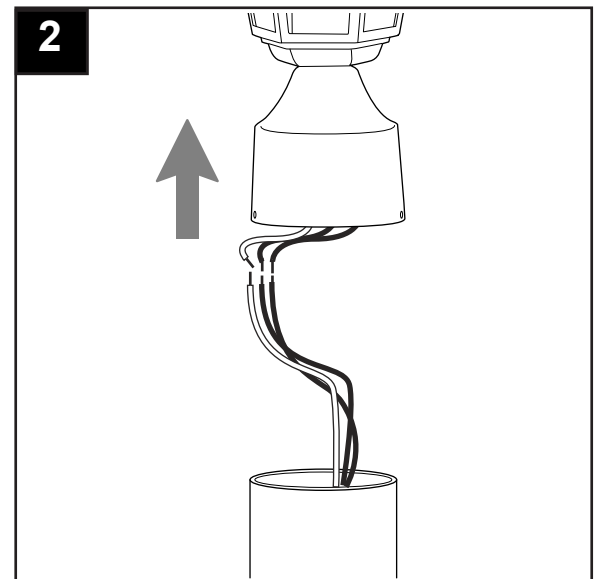
## ASSEMBLY INSTRUCTIONS

1. Turn off circuit breakers and wall switch to the fixture supply line leads.

**⚠ DANGER:** Failure to disconnect power supply prior to installation may result in serious injury or death.



2. If applicable, remove existing fixture and disconnect all electrical wiring.



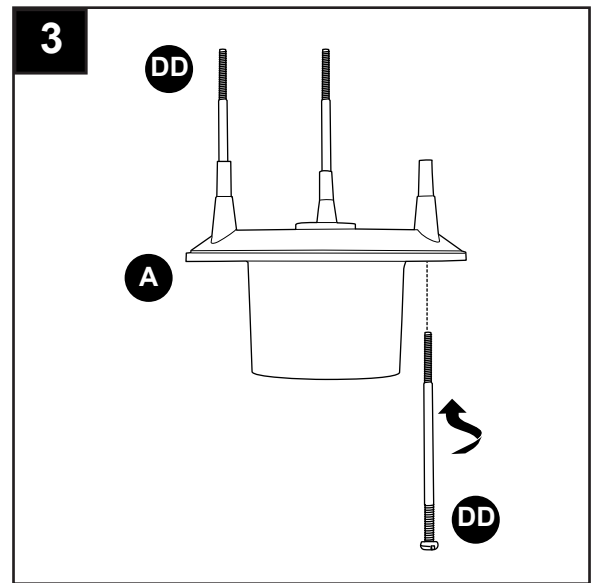
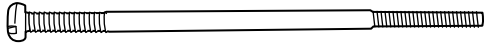
## ASSEMBLY INSTRUCTIONS

3. Insert fixture screws (DD) into the three holes in outer edge on the underside of fixture (A). Tighten fixture screws (DD) with a Phillips screwdriver (not included).

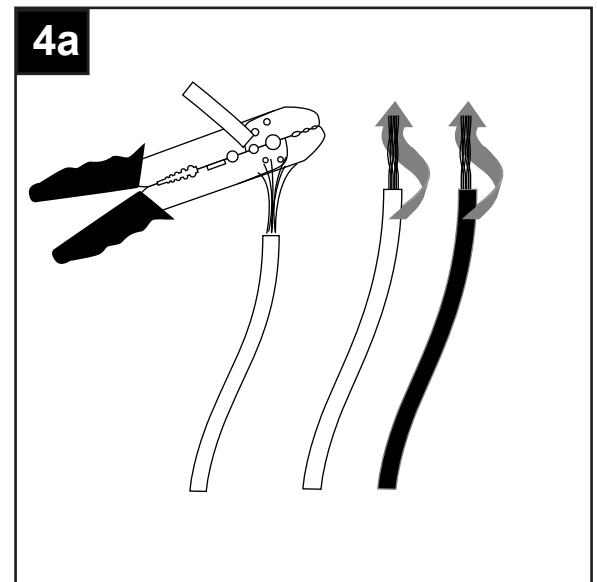
**IMPORTANT:** Fixture screws (DD) must be screwed completely into fixture (A) to ensure proper assembly later on.

### Hardware Used

**DD** Fixture Screw x 3



- 4a. Unwrap BARE wire from BLACK and WHITE wires on fixture (A). Prepare wire by stripping 3/4 inch of insulation from wire ends using wire strippers (not included).



## ASSEMBLY INSTRUCTIONS

- 4b. Connect WHITE wire from fixture (A) to WHITE wire from outlet box using existing wire connector or wire connector (AA). Connect BLACK wire from fixture (A) to BLACK wire from outlet box using existing wire connector or wire connector (AA). Connect BARE/GREEN ground wire from outlet box to BARE ground wire from fixture (A) using wire connector (AA).

**NOTE:** Screw wire connectors (AA) on in a clockwise direction.

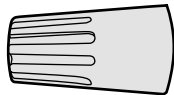
**⚠ WARNING:** Never connect ground wire to white or black power supply wires.

**⚠ WARNING:** To reduce the risk of fire, electrical shock, or personal injury, wire connectors (AA) provided with this light fixture are designed to accept only one 12-gauge house wire and two lead wires from the light fixture. If your house wire is larger than 12-gauge or there is more than one house wire to connect to the corresponding fixture lead wires, consult an electrician for the proper size wire connectors to use.

### Hardware Used



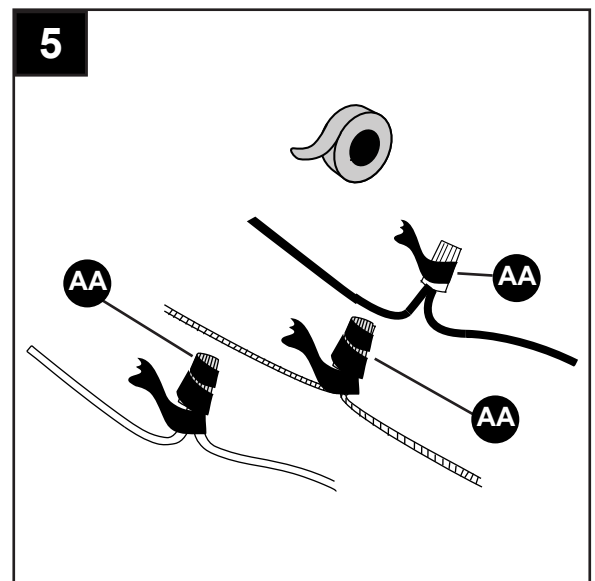
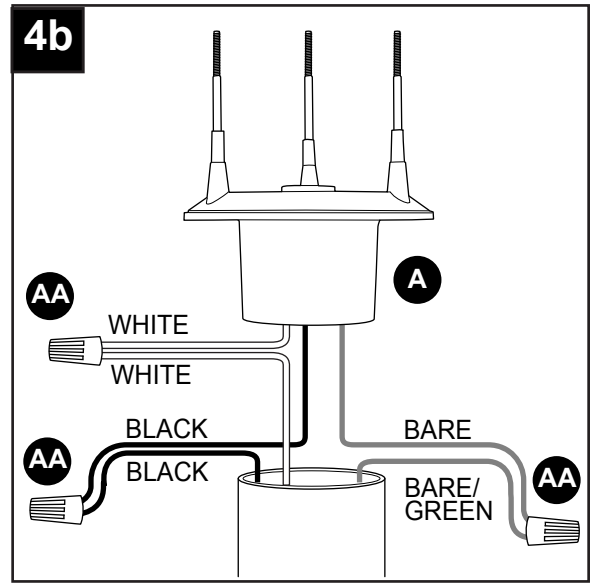
Wire Connector



x 3

5. Wrap electrical tape (not included) around each individual wire connector (AA) down to the wire.

**⚠ WARNING:** Make sure no bare wire or wire strands are visible after making connections.




## ASSEMBLY INSTRUCTIONS

6. Carefully push excess wiring and wire connectors (AA) inside top of post or pier base (neither included).

Place fixture (A) onto the mounting surface and secure with the mounting screw (BB).

### Hardware Used

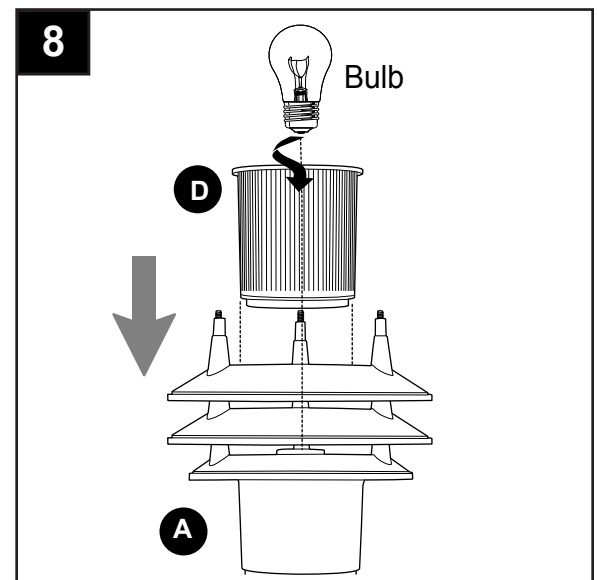
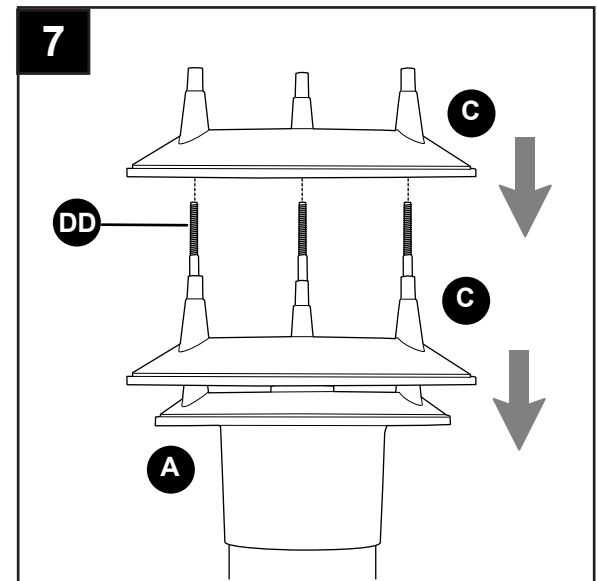
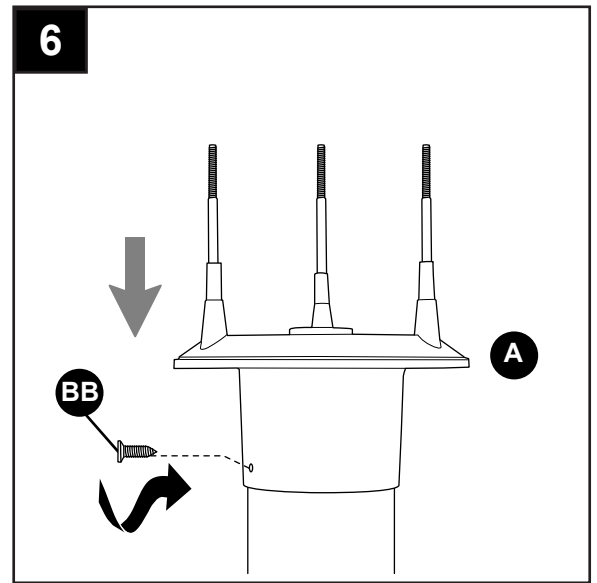
**BB** Mounting Screw  x 1

7. Align the three holes on underside of spacer (C) with the fixture screws (DD) in fixture (A). Push down on spacer (C) to secure in place. Repeat for the remaining spacer (C).

8. Install one standard-base bulb (not included). Use a 60-watt max. incandescent bulb or CFL/LED equivalent.

**⚠ CAUTION:** When replacing bulb, please allow bulb and shade (D) to cool down before touching them.

Carefully place shade (D) over bulb.





## ASSEMBLY INSTRUCTIONS

9. Align three posts on underside of fixture cover (B) with three fixture screws (DD) on fixture (A). Push down on fixture cover (B) until fixture screws (DD) come through holes in top of fixture cover (B).

Secure fixture cover (B) to fixture (A) with decorative nuts (CC).

**IMPORTANT:** If fixture screws (DD) are not visible through top of fixture cover (B), fixture screws (DD) have not been tightened completely. It may take multiple turns of the screwdriver in order to tighten the fixture screws (DD) sufficiently.

### Hardware Used



Decorative Nut



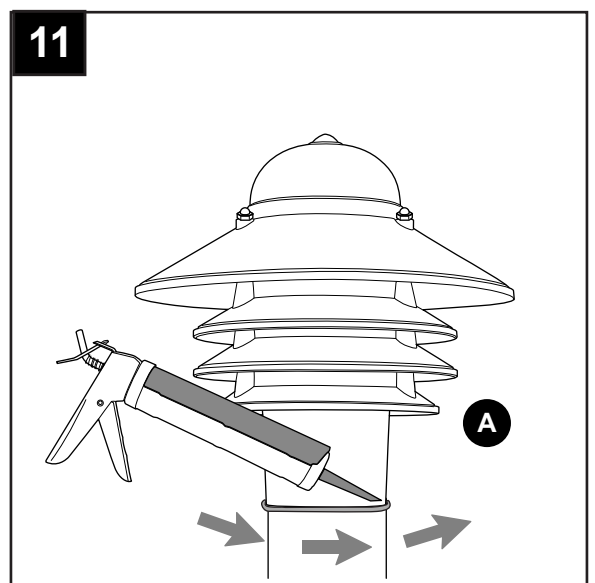
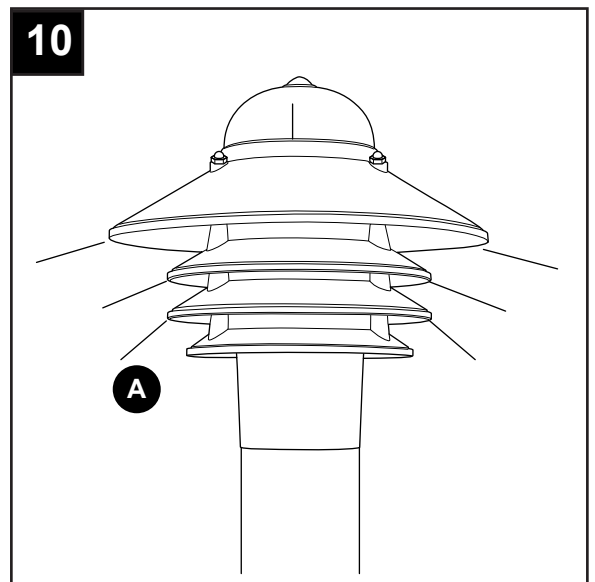
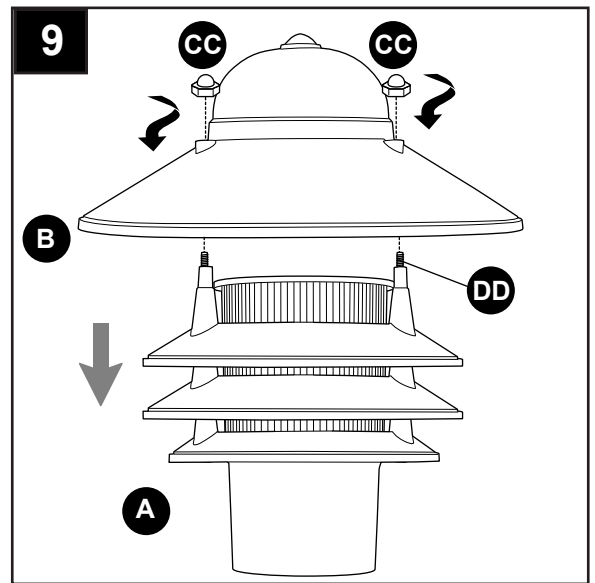
x 3

10. Restore power and test fixture (A).

If light does not function, please refer to TROUBLESHOOTING on the following page.

11. After completing installation, caulk fixture (A) mounting surface with silicone weather sealant (not included).

**WARNING:** Failure to caulk fixture mounting surface with silicone weather sealant may result in water damage in outlet box, which may cause electrical malfunction or electrical shock.



## CARE AND MAINTENANCE

---

- Shut off main power supply. Wipe fixture with soft, damp cloth. Use window cleaner to clean shade. Do not use an abrasive cleaner on shade or fixture.

## TROUBLESHOOTING

---



**WARNING:** Before beginning work, shut off the power supply to avoid electrical shock.

PROBLEM	POSSIBLE CAUSE	CORRECTIVE ACTION
Bulb will not light.	<ol style="list-style-type: none"><li>1. Bulb is burned out.</li><li>2. Power is OFF.</li><li>3. Faulty connection.</li></ol>	<ol style="list-style-type: none"><li>1. Replace bulb.</li><li>2. Make sure power supply is ON.</li><li>3. Check wiring and all connections.</li></ol>
Fuse blows out or circuit breaker trips.	<ol style="list-style-type: none"><li>1. Crossed wires.</li><li>2. Power wire is grounding out.</li></ol>	<ol style="list-style-type: none"><li>1. Check wiring.</li><li>2. Check all connections.</li></ol>

## WARRANTY

---

The distributor warrants all of its lighting fixtures against defects in materials and workmanship for five (5) years from the date of purchase. If within this period the product is found to be defective, take a copy of the bill of sale as a proof of purchase and the product in its original carton to the place of purchase. The distributor will, at its option, repair, replace or refund the purchase price to the consumer. All costs of installation and removal of the fixture is the responsibility of the consumer. This warranty does not cover fixtures becoming defective due to misuse, accidental damage or improper handling and/or installation and specifically excludes liability for direct, incidental or consequential damages. As some states do not allow exclusions of limitations on an implied warranty, the above exclusion and limitation may not apply. This warranty gives you specific rights and you may also have other rights which may vary from state to state.

Printed in China