



Portfolio® is a registered trademark of LF, LLC. All Rights Reserved.

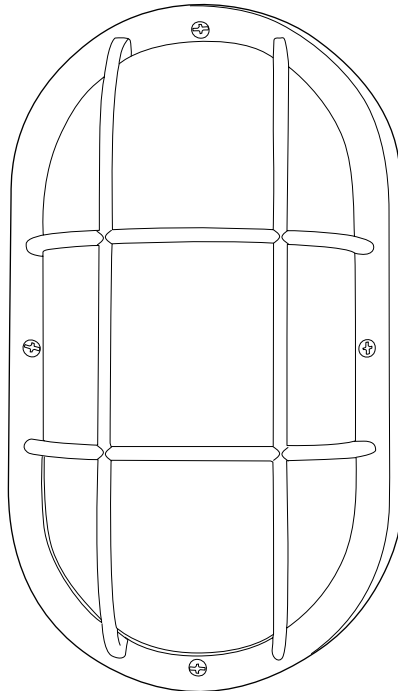
ITEM #0398471
0398472

DECK LIGHT

MODEL #DL101WW
DL101BK

Français p. 10

Español p. 19



ATTACH YOUR RECEIPT HERE

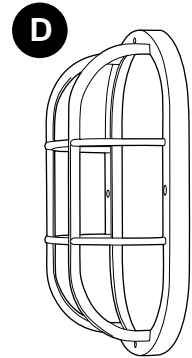
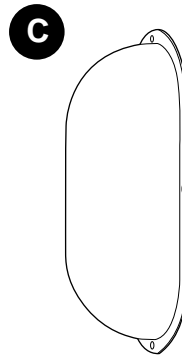
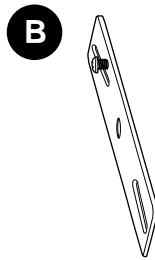
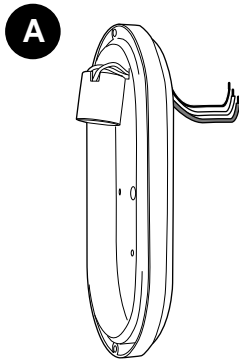
Serial Number _____ Purchase Date _____



Questions, problems, missing parts? Before returning to your retailer, call our customer service department at **1-800-643-0067**, 8 a.m. - 6 p.m., EST, Monday - Thursday, 8 a.m. - 5 p.m., EST, Friday.

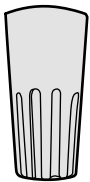
PACKAGE CONTENTS

PART	DESCRIPTION	QUANTITY
A	Fixture	1
B	Mounting Strap	1
C	Shade	1
D	Protective Cover	1



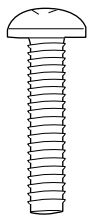
HARDWARE CONTENTS (shown actual size)

AA



E3 Wire
Connector
Qty. 3

BB



Mounting
Screw
Qty. 1

CC



Fixture
Screw
Qty. 4

! SAFETY INFORMATION

READ AND SAVE THESE INSTRUCTIONS.

! DANGER

- For your protection and safety, carefully read and understand the information provided in this manual completely before attempting to assemble, install or operate this product. Failure to do so could lead to electrical shock, fire or other injuries that could be hazardous or even fatal.

SAFETY INFORMATION

- If using this light fixture in a WET or DAMP location, this light fixture must be connected to a supply circuit that is protected by a Ground Fault Circuit Interrupter (GFCI) to reduce the risk of personal injury, electrical shock or death.
- DO NOT connect this fixture to an electrical system that does not provide a means for equipment grounding. Never use a fixture in a two-wire system that is not grounded. Installing a fixture into an electrical system not having a proper grounding means could cause metal parts of the fixture to carry electrical currents if any of the fixture wires, wire connections or splices were to become broken, cut or loose during the mounting or normal operation of the fixture. Under this condition, anyone coming in contact with the fixture would be subject to electrical shock, which could cause serious injury or death.
- DO NOT connect the bare or green insulation fixture ground wire to the black (HOT) current-carrying wire or the white (NEUTRAL) house wire. Connection of the bare or green fixture ground wire to the black or white house wires may cause metal parts of the fixture to carry electrical currents. Under this condition anyone coming in contact with the fixture will receive electrical shock, which could cause serious injury or death.
- DO NOT damage or cut the wire insulation (covering) during installation of fixture. DO NOT permit wires to contact any surface having a sharp edge. To do so may damage or cut the wire insulation, which could cause serious injury or death from electrical shock.

WARNING

- All electrical connections must be in agreement with local codes and ordinances, the National Electric Code (NEC) and ANSI/NFPA 70-1999. Contact your municipal building department to learn about your local codes, permits and/or inspections.
- To avoid personal injury, the use of gloves may be necessary while handling fixture parts with sharp edges.
- DO NOT suspend any fixture by the house wires. A fixture must always be mounted directly to an outlet box or to a mounting strap which is first attached to the outlet box. All fixtures must be mounted to an outlet box that is supported by the building structure. Wire connectors will not support the weight of a fixture. Suspending a fixture by the house wires and wire connectors will result in the fixture falling, with the possibility of personal injury and the danger of electrical shock or fire.
- To reduce the risk of fire, electrical shock, or personal injury, wire connectors provided with this light fixture are designed to accept only one 12-gauge house wire and two lead wires from the light fixture. If your house wire is larger than 12-gauge or there is more than one house wire to connect to the corresponding fixture lead wires, consult an electrician for the proper size wire connectors to use.
- To avoid water damage to fixture or possible electrical malfunction, install fixture at least 4 ft. above the ground/floor.
- Failure to caulk fixture mounting surface with silicone weather sealant may result in water damage in outlet box, which may cause electrical malfunction or electrical shock.

SAFETY INFORMATION

CAUTION

- TURN OFF ELECTRICITY at main fuse box (or circuit breaker box) before beginning installation by removing the fuse (or switching the circuit breaker off).
- If you are not sure the lighting system has a grounding means, DO NOT attempt to install this fixture. Contact a qualified, licensed electrician for information regarding the proper grounding methods as required by the local electrical code in your area.
- DO NOT use bulbs having a wattage greater than the maximum value stated on the fixture. The use of bulbs with higher wattage than specified will increase temperatures and risk of fire.
- If a dimmer control switch is used with this fixture, obtain professional advice to determine the correct type to use as well as the electrical rating required.
- Risk of fire - most dwellings built before 1985 have supply wire rated for 140°F. Consult a qualified electrician before installation.

PREPARATION

Before beginning assembly of product, make sure all parts are present. Compare parts with package contents list and hardware contents list. If any part is missing or damaged, do not attempt to assemble the product.


Estimated Assembly Time: 25 minutes

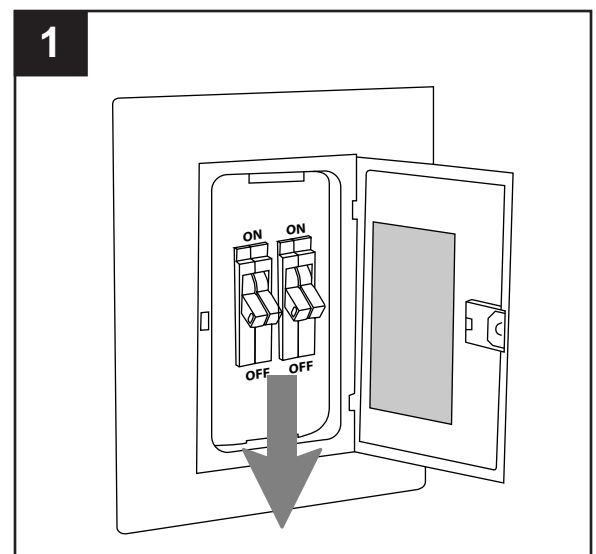
Tools Required for Assembly (not included): Flathead Screwdriver, Phillips Screwdriver, Wire Strippers, Pliers, Wire Cutters, Safety Glasses, Stepladder, Electrical Tape, Silicone Weather Sealant

Helpful Tools (not included): A/C Tester Light, Do-It-Yourself Guide, Soft Cloth, Level

ASSEMBLY INSTRUCTIONS

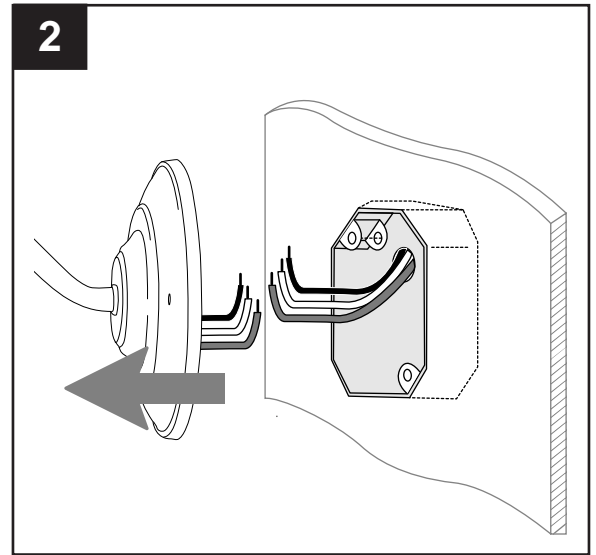
1. Turn off circuit breakers and wall switch to the fixture supply line leads.

 **DANGER:** Failure to disconnect power supply prior to installation may result in serious injury or death.



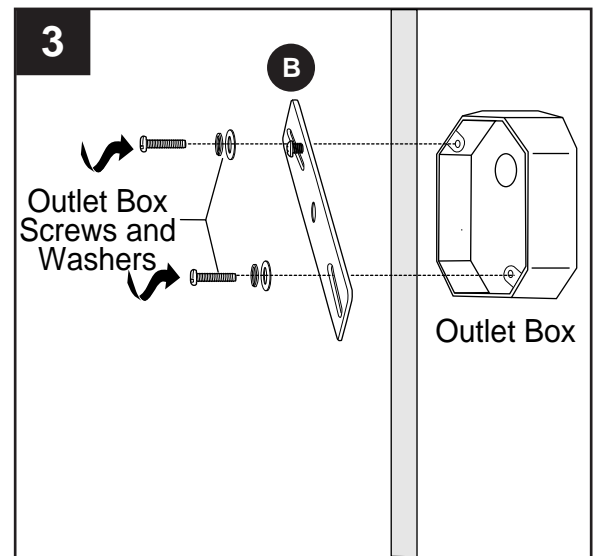
ASSEMBLY INSTRUCTIONS

2. Remove existing fixture and disconnect all electrical wiring.



3. Attach mounting strap (B) to outlet box (not included) using the existing outlet box screws and washers. Tighten outlet box screws to secure mounting strap (B).

⚠ CAUTION: Make sure the outlet box can support 35 lbs. hanging weight. Use *metal* outlet box; plastic outlet boxes are not recommended.



ASSEMBLY INSTRUCTIONS


- 4a. Unwrap BARE wire from BLACK and WHITE wires on fixture (A). Prepare wire by stripping 3/4 inch of insulation from wire ends using wire strippers (not included).
- 4b. Connect WHITE wire from fixture (A) to WHITE wire from outlet box using existing wire connector or wire connector (AA). Connect BLACK wire from fixture (A) to BLACK wire from outlet box using existing wire connector or wire connector (AA). Connect BARE/GREEN ground wire from outlet box to BARE ground wire from fixture (A) using wire connector (AA).

NOTE: Screw wire connectors (AA) on in a clockwise direction.

⚠ WARNING: Never connect ground wire to white or black power supply wires.

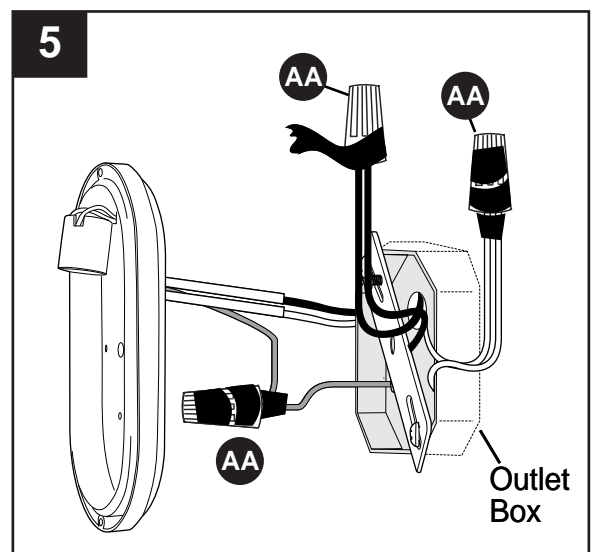
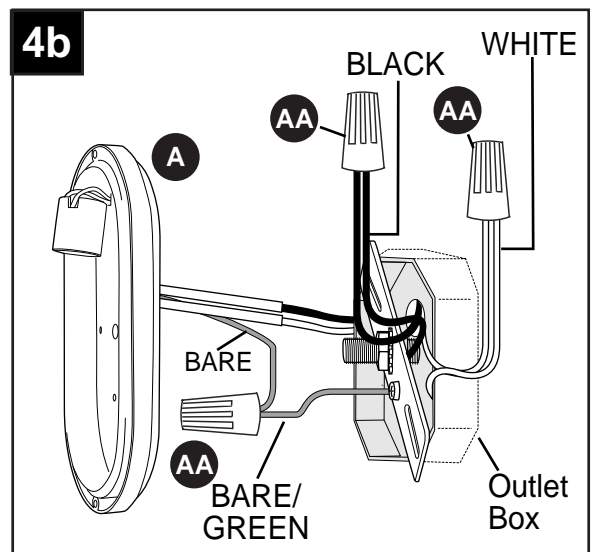
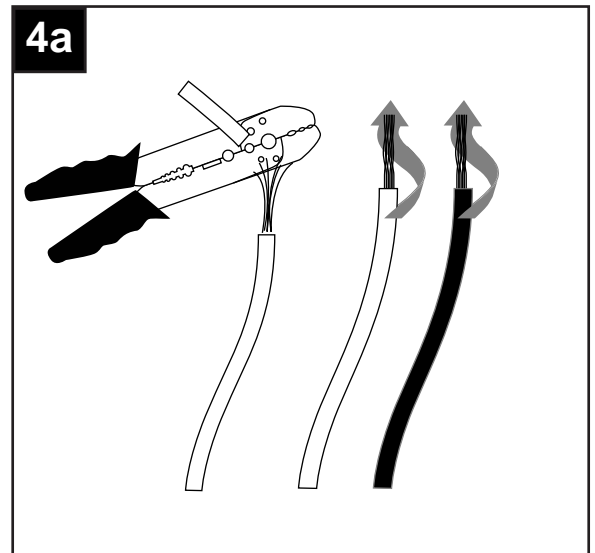
⚠ WARNING: To reduce the risk of fire, electrical shock, or personal injury, wire connectors provided with this light fixture are designed to accept only one 12-gauge house wire and two lead wires from the light fixture. If your house wire is larger than 12-gauge or there is more than one house wire to connect to the corresponding fixture lead wires, consult an electrician for the proper size wire connectors to use.

Hardware Used

- AA** E3 Wire Connector  x 3

5. Wrap electrical tape (not included) around each individual wire connector (AA) down to the wire.

⚠ WARNING: Make sure no bare wire or wire strands are visible after making connections.



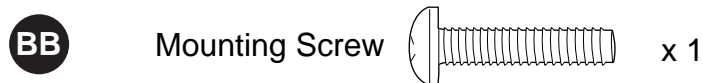
ASSEMBLY INSTRUCTIONS

- Push wire connectors (AA) gently back into outlet box. Carefully push excess wiring into outlet box.

Secure fixture (A) to mounting strap (B) with mounting screw (BB).

NOTE: Before tightening mounting screw (BB) completely, use level (not included) to check fixture (A) -- adjust if necessary.

Hardware Used

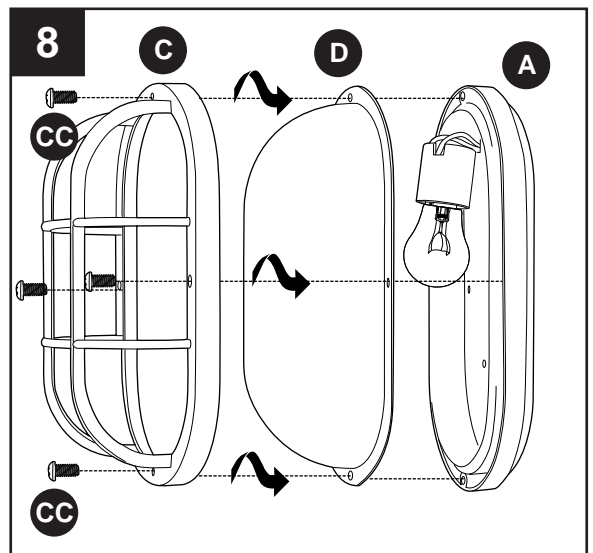
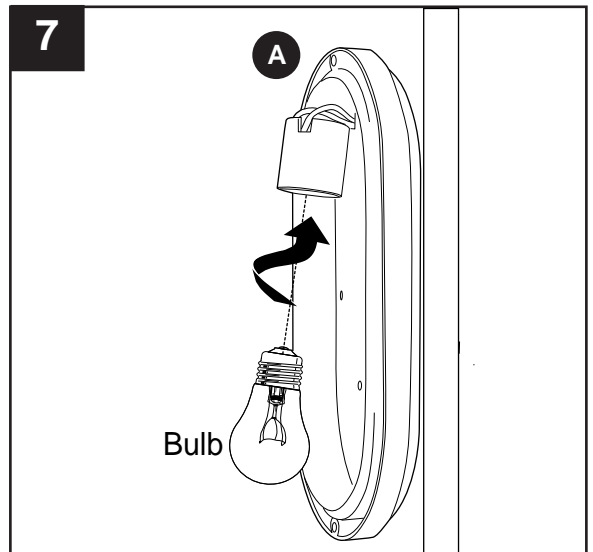
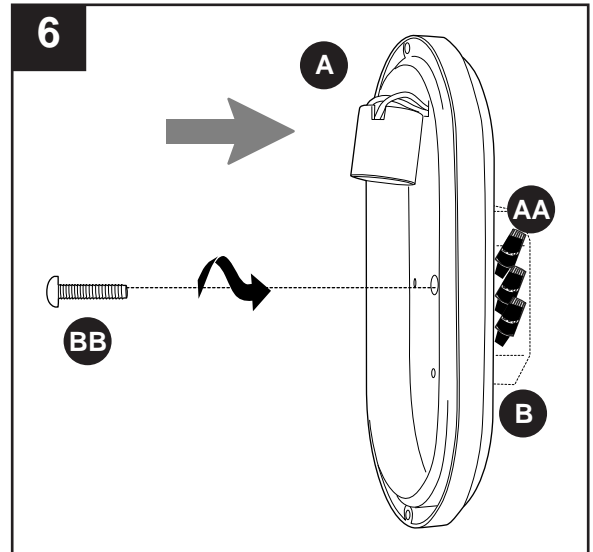


- Install one standard-base bulb (not included). Use either a 60-watt max. incandescent or a 13-watt CFL.

⚠ CAUTION: When replacing bulb, please allow bulb and fixture to cool down before touching.

- Align holes in shade (C) with holes in fixture (A) and holes in protective cover (D) with holes in shade (C). Then secure shade (C) and protective cover (D) to fixture (A) with fixture screws (CC). Tighten fixture screws (CC) with a Phillips screwdriver (not included).

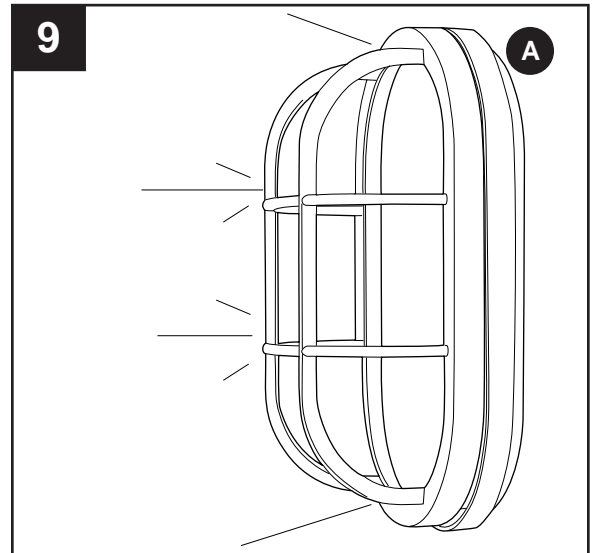
Hardware Used



ASSEMBLY INSTRUCTIONS

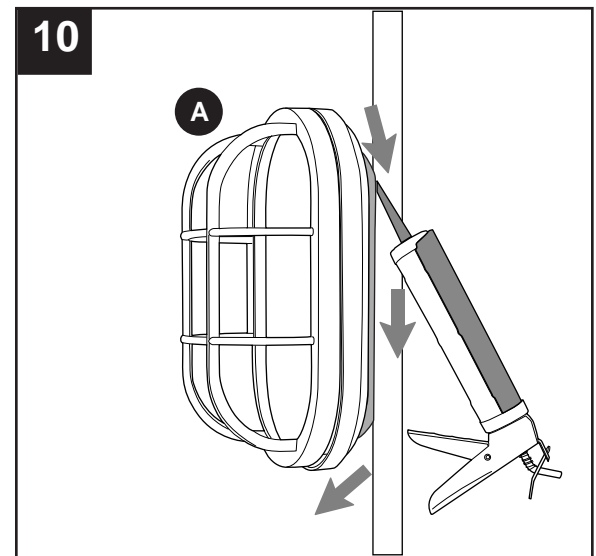
9. Restore power and test fixture (A).

If light does not function, please refer to TROUBLESHOOTING on the next page.



10. After completing installation, caulk fixture (A) mounting surface with silicone weather sealant (not included).

⚠ WARNING: Failure to caulk fixture mounting surface with silicone weather sealant may result in water damage in outlet box, which may cause electrical malfunction or electrical shock.



CARE AND MAINTENANCE

- Shut off main power supply. Wipe with soft, damp cloth. Use window cleaner to clean shade. Do not use an abrasive cleaner on shade or fixture.

TROUBLESHOOTING



WARNING: Before beginning work, shut off the power supply to avoid electrical shock.

PROBLEM	POSSIBLE CAUSE	CORRECTIVE ACTION
Bulb will not light.	<ol style="list-style-type: none">1. Bulb is burned out.2. Power is OFF.3. Faulty connection.	<ol style="list-style-type: none">1. Replace bulb.2. Make sure power supply is ON.3. Check wiring and all connections.
Fuse blows out or circuit breaker trips.	<ol style="list-style-type: none">1. Crossed wires.2. Power wire is grounding out.	<ol style="list-style-type: none">1. Check wiring.2. Check all connections.

WARRANTY

The distributor warrants all of its lighting fixtures against defects in materials and workmanship for five (5) years from the date of purchase. If within this period the product is found to be defective, take a copy of the bill of sale as a proof of purchase and the product in its original carton to the place of purchase. The distributor will, at its option, repair, replace or refund the purchase price to the consumer. All costs of installation and removal of the fixture is the responsibility of the consumer. This warranty does not cover fixtures becoming defective due to misuse, accidental damage or improper handling and/or installation and specifically excludes liability for direct, incidental or consequential damages, improper packaging of returned products and acts of God. As some states do not allow exclusions of limitations on an implied warranty, the above exclusion and limitation may not apply. This warranty gives you specific rights and you may also have other rights which may vary from state to state.

Printed in China

Portfolio® is a registered trademark of LF, LLC. All Rights Reserved.