



ITEM #0760194
0760195

PROJECT SOURCE.

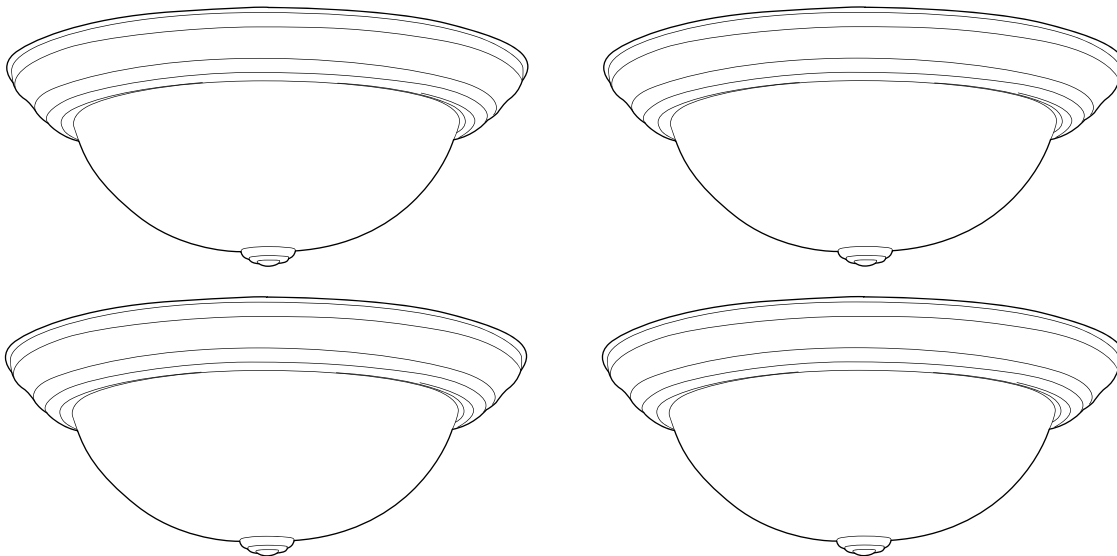
LED FLUSHMOUNT CEILING FIXTURES (SET OF 4)

Project Source® is a registered trademark of LF, LLC. All Rights Reserved.

MODEL #CLL11-4BZ
CLL11-4BNK

Français p. 10

Español p. 19



Intertek

**For
Damp Location**
5002223

ATTACH YOUR RECEIPT HERE

Serial Number _____ Purchase Date _____



Questions, problems, missing parts? Before returning to your retailer, call our customer service department at **1-866-389-8827**, 8 a.m. - 6 p.m., EST, Monday - Thursday, 8 a.m. - 5 p.m., EST, Friday.

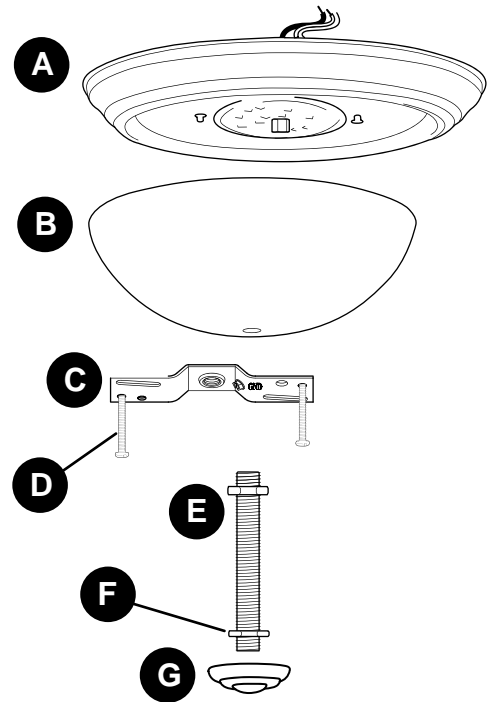
AB15911



Lowes.com **PROJECT SOURCE.**

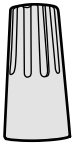
PACKAGE CONTENTS

PART	DESCRIPTION	QUANTITY
A	Fixture	4
B	Glass Shade (preassembled to fixture (A))	4
C	Mounting Strap	4
D	Fixture Screw (preassembled to mounting strap (C))	8
E	Threaded Rod (preassembled to fixture (A))	4
F	Nut (preassembled to threaded rod (E))	4
G	Finial (preassembled to threaded rod (E))	4



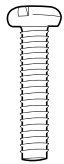
HARDWARE CONTENTS (shown actual size)

AA



E3 Wire
Connector
Qty. 12

BB



Machine
Screw
Qty. 8



**PROJECT
SOURCE.**

Lowes.com

SAFETY INFORMATION

READ AND SAVE THESE INSTRUCTIONS.

DANGER

- For your protection and safety, carefully read and understand the information provided in this manual completely before attempting to assemble, install or operate this product. Failure to do so could lead to electrical shock, fire or other injuries that could be hazardous or even fatal.
- DO NOT connect this fixture to an electrical system that does not provide a means for equipment grounding. Never use a fixture in a two-wire system that is not grounded. Installing a fixture into an electrical system not having a proper grounding means could cause metal parts of the fixture to carry electrical currents if any of the fixture wires, wire connections or splices were to become broken, cut or loose during the mounting or normal operation of the fixture. Under this condition, anyone coming in contact with the fixture would be subject to electrical shock, which could cause serious injury or death.
- DO NOT connect the bare or green insulation fixture ground wire to the black (HOT) current-carrying wire or the white neutral house wire. Connection of the bare or green fixture ground wire to the black or white house wires may cause metal parts of the fixture to carry electrical currents. Under this condition anyone coming in contact with the fixture will receive electrical shock, which could cause serious injury or death.
- DO NOT damage or cut the wire insulation (covering) during installation of fixture. DO NOT permit wires to contact any surface having a sharp edge. To do so may damage or cut the wire insulation, which could cause serious injury or death from electrical shock.
- If using this light fixture in a DAMP location, this light fixture must be connected to a supply circuit that is protected by a Ground Fault Circuit Interrupter (GFCI) to reduce the risk of personal injury, electrical shock or death.

WARNING

- All electrical connections must be in agreement with local codes and ordinances, the National Electric Code (NEC) and ANSI/NFPA 70-1999. Contact your municipal building department to learn about your local codes, permits and/or inspections. Risk of fire - most dwellings built before 1985 have supply wire rated for 140°F. Consult a qualified electrician before installation.
- To avoid personal injury, the use of gloves may be necessary while handling fixture parts with sharp edges.
- DO NOT suspend any fixture by the house wires. A fixture must always be mounted directly to an outlet box or to a mounting strap which is first attached to the outlet box. Wire connectors will not support the weight of a fixture. Suspending a fixture by the house wires and wire connectors could result in the fixture falling, with the possibility of personal injury and the danger of electrical shock or fire.
- To reduce the risk of fire, electrical shock or personal injury, wire connectors provided with this light fixture are designed to accept only one 12-gauge house wire and two lead wires from the light fixture. If your house wire is larger than 12-gauge or there is more than one house wire to connect to the corresponding fixture lead wires, consult an electrician for the proper size wire connectors to use.



SAFETY INFORMATION

CAUTION

- TURN OFF ELECTRICITY at main fuse box (or circuit breaker box) before beginning installation by removing the fuse (or switching the circuit breaker off).
- If you are not sure the lighting system has a grounding means, DO NOT attempt to install this fixture. Contact a qualified, licensed electrician for information regarding the proper grounding methods as required by the local electrical code in your area.
- All fixtures must be mounted to an outlet box that is supported by the building structure.
- If a dimmer control switch is used with this fixture, obtain professional advice to determine the correct type to use as well as the electrical rating required.
- Do NOT tamper with or attempt to repair LED component of fixture. The light source is designed for this specific application and should not be serviced by untrained personnel. If any servicing is required, call our customer service department.

PREPARATION

Before beginning assembly of product, make sure all parts are present. Compare parts with package contents list and hardware contents list. If any part is missing or damaged, do not attempt to assemble the product.


Estimated Assembly Time: 30 minutes (per fixture)

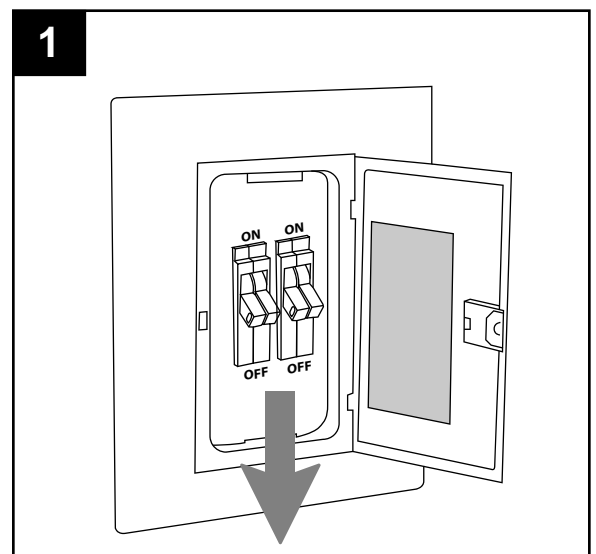
Tools Required for Assembly (not included): Flathead Screwdriver, Phillips Screwdriver, Wire Strippers, Pliers, Wire Cutters, Safety Glasses, Stepladder, Electrical Tape

Helpful Tools (not included): A/C Tester Light, Do-It-Yourself Guide, Soft Cloth

ASSEMBLY INSTRUCTIONS

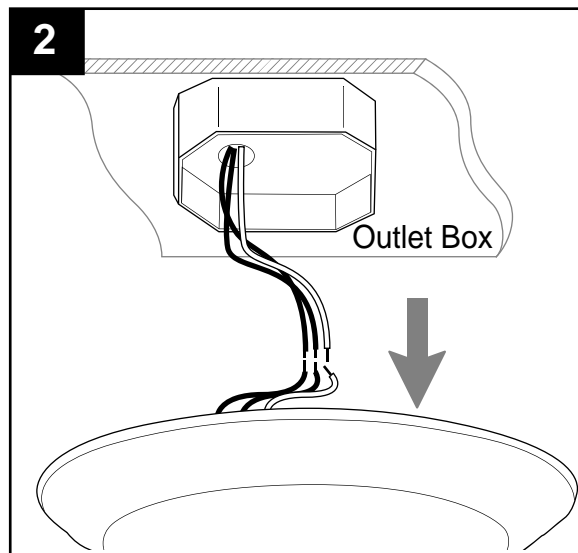
1. Turn off circuit breakers and wall switch to the fixture supply line leads.

 **DANGER:** Failure to disconnect power supply prior to installation may result in serious injury or death.



ASSEMBLY INSTRUCTIONS

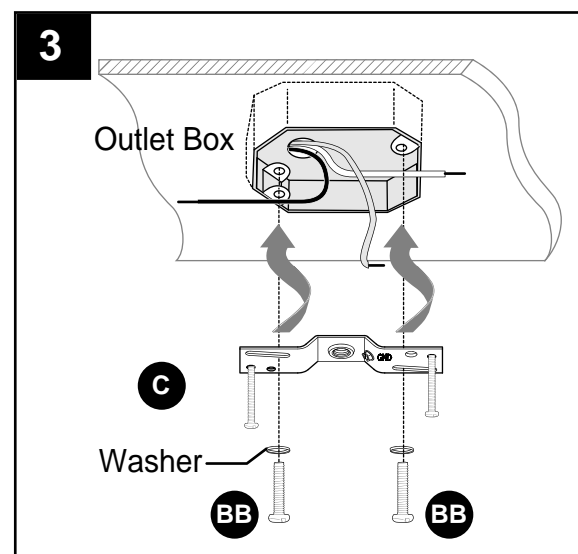
2. Remove existing fixtures and disconnect all electrical wiring.



3. Attach mounting strap (C) to outlet box (not included) using existing washers and outlet box screws or the machine screws (BB). **NOTE:** If the outlet box screws required for your outlet box are of a different size than the machine screws (BB), consult a licensed electrician before proceeding.

Tighten machine screws (BB) to secure mounting strap (C) to outlet box.

⚠ CAUTION: Make sure the outlet box can support 35 lbs. hanging weight. Use *metal* outlet box; plastic outlet boxes are not recommended.



Hardware Used

BB

Machine Screw

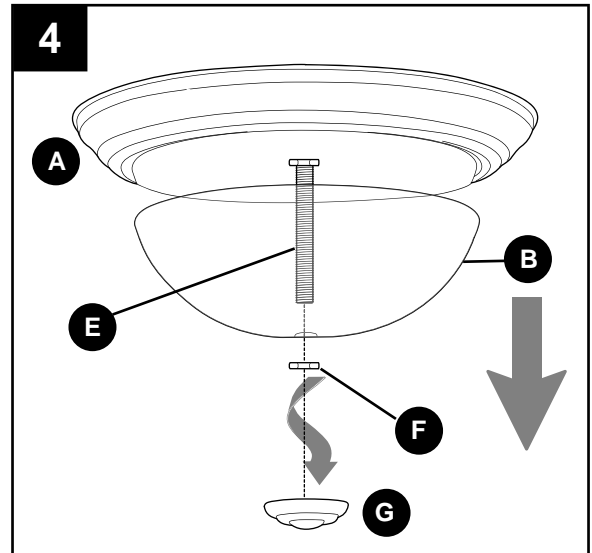


x 2

ASSEMBLY INSTRUCTIONS

- Remove finial (G) and nut (F) from threaded rod (E). *Save finial (G) and nut (F) for later use.*

Remove glass shade (B) from fixture (A).

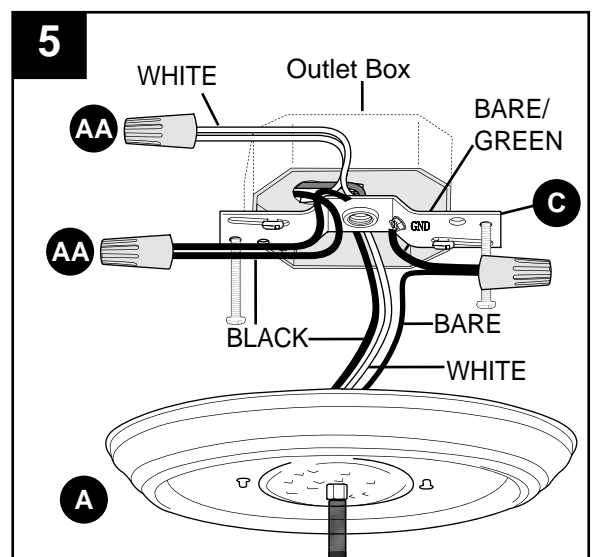


- Prepare wire by stripping 3/4 in. of insulation from wire ends using wire strippers (not included). Connect WHITE wire from fixture (A) to WHITE wire from outlet box using existing wire connector or wire connector (AA). Connect BLUE (or BLACK) wire from fixture (A) to BLACK wire from outlet box using existing wire connector or wire connector (AA). Connect BARE/GREEN ground wire from outlet box to BARE ground wire from fixture (A) using existing wire connector or wire connector (AA).

NOTE: Screw wire connectors (AA) on in a clockwise direction.

⚠ WARNING: Never connect BARE/GREEN ground wire to WHITE or BLACK power supply wires.

⚠ WARNING: To reduce the risk of fire, electrical shock or personal injury, wire connectors (AA) are designed to accept only one 12-gauge house wire and two lead wires from the light fixture. If your house wire is larger than 12-gauge or there is more than one house wire to connect to the corresponding fixture lead wires, consult an electrician for the proper size wire connectors to use.



Hardware Used

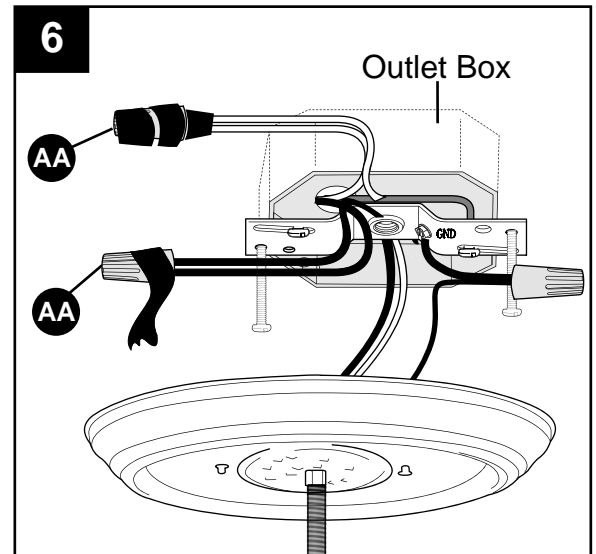


ASSEMBLY INSTRUCTIONS

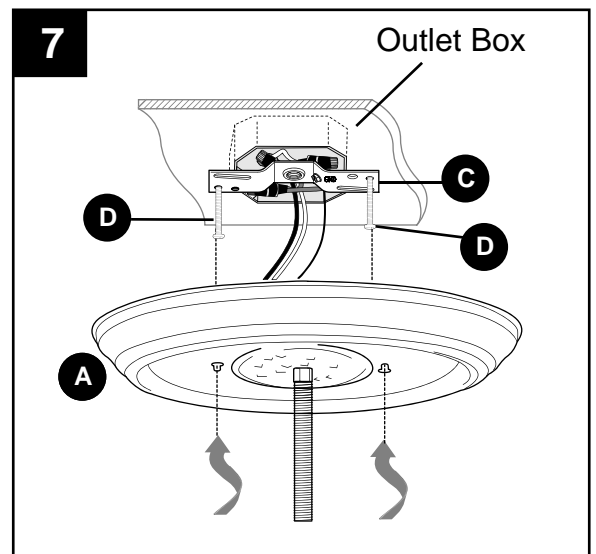
6. Wrap electrical tape (not included) around each individual wire connector (AA) down to the wire.

⚠ WARNING: Make sure no bare wire or wire strands are visible after making connections.

Carefully arrange excess wiring and wire connectors (AA) within outlet box.



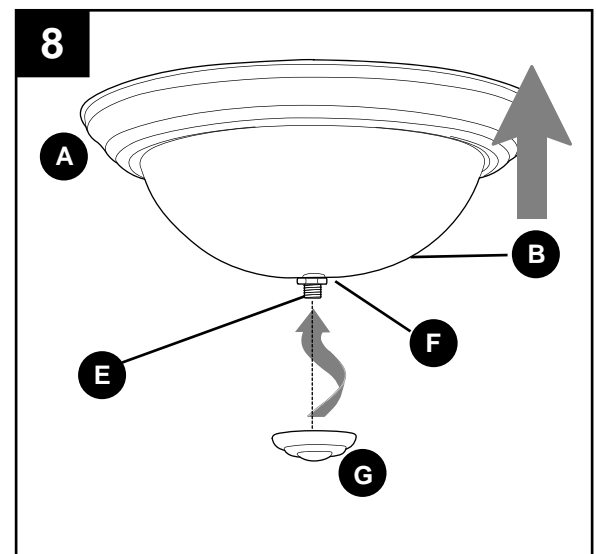
7. Align keyslot holes on fixture (A) with fixture screws (D) on mounting strap (C) and push up. Turn fixture (A) clockwise until it no longer turns. Secure fixture (A) to mounting strap (C) by tightening the fixture screws (D).



8. Align hole in glass shade (B) with threaded rod (E) and push up gently on glass shade (B) until threaded rod (E) comes through hole in glass shade (B). Secure glass shade (B) with nut (F) and finial (G) previously removed (Step 4, Page 6).

⚠ CAUTION: Do not overtighten nut (F) or finial (G) as glass may crack or break.

Repeat Steps 4 - 8 to install remaining fixtures.



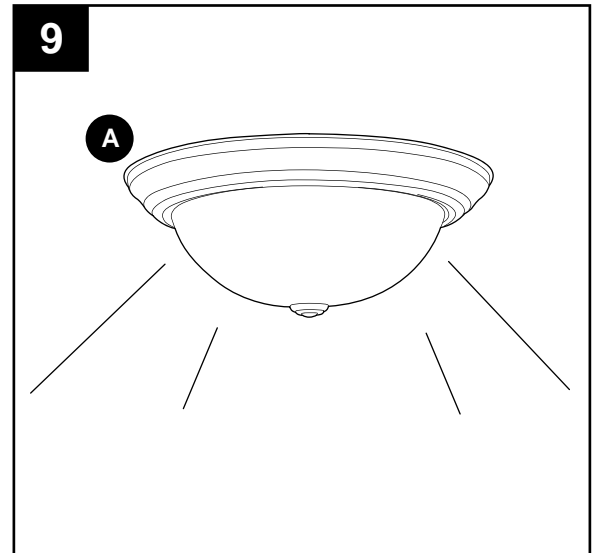
**PROJECT
SOURCE.**

Lowes.com

ASSEMBLY INSTRUCTIONS

9. Restore power and test fixtures (A).

If fixtures (A) do not function, please refer to the TROUBLESHOOTING guide on the next page.



CARE AND MAINTENANCE

- Shut off main power supply. Wipe fixture with soft, damp cloth. Use window cleaner to clean glass. Do not use an abrasive cleaner on glass or fixture.
- Total wattage for each fixture is 14.5 watts; do not attempt to replace the LEDs.

TROUBLESHOOTING

⚠ WARNING: Before beginning work, shut off the power supply to avoid electrical shock.

PROBLEM	POSSIBLE CAUSE	CORRECTIVE ACTION
Light does not come on initially or no longer comes on.	<ol style="list-style-type: none">1. Power is OFF.2. Faulty connection.3. LED component is not working properly.	<ol style="list-style-type: none">1. Make sure power supply is ON.2. Check wiring and all connections.3. Contact customer service.
Fuse blows out or circuit breaker trips.	<ol style="list-style-type: none">1. Crossed wires.2. Power wire is grounding out.	<ol style="list-style-type: none">1. Check wiring.2. Check all connections.

WARRANTY

The distributor warrants all of its lighting fixtures against defects in materials and workmanship for five (5) years from the date of purchase. If within this period the product is found to be defective, take a copy of the bill of sale as a proof of purchase and the product in its original carton to the place of purchase. The distributor will, at its option, repair, replace or refund the purchase price to the consumer. All costs of installation and removal of the fixture is the responsibility of the consumer. This warranty does not cover fixtures becoming defective due to misuse, accidental damage or improper handling and/or installation and specifically excludes liability for direct, incidental or consequential damages, improper packaging of returned products and acts of God. As some states do not allow exclusions of limitations on an implied warranty, the above exclusion and limitation may not apply. This warranty gives you specific rights and you may also have other rights which may vary from state to state.

Printed In China

Project Source® is a registered trademark of
LF, LLC. All rights reserved.



**PROJECT
SOURCE..**

Lowes.com