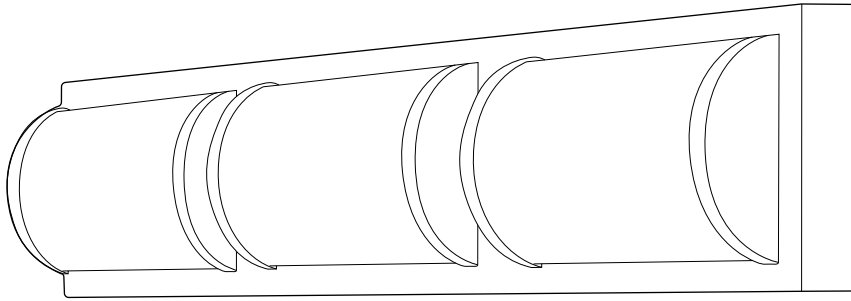


allen + roth®

welcoming • sophisticated • inspiring



800413

APPROVED FOR USE  
IN DAMP LOCATIONS

ITEM #1362612  
1362621  
2525799

## VANITY BAR

MODEL #VBL18-3BNK  
VBL18-3OSB  
VBL18-5BNK

Français p. 10

Español p. 19

ATTACH YOUR RECEIPT HERE  
JOIGNEZ VOTRE REÇU ICI  
ADJUNTE SU RECIBO AQUÍ

Purchase Date \_\_\_\_\_



Questions, problems, missing parts? Before returning to your retailer, call our customer service department at 1-866-439-9800, 8 a.m. - 8 p.m., EST, Monday - Sunday.

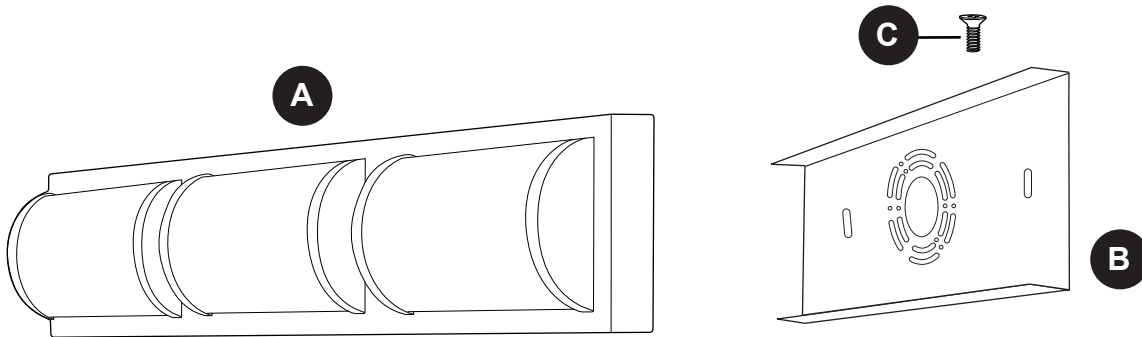
## TABLE OF CONTENTS

---

Package Contents .....	2
Hardware Contents .....	3
Safety Information .....	3
Preparation .....	4
Assembly Instructions .....	5
Care and Maintenance .....	9
Troubleshooting .....	9
Warranty .....	9

## PACKAGE CONTENTS

---

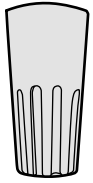


PART	DESCRIPTION	QUANTITY
A	Fixture	1
B	Mounting Plate (preassembled to fixture (A))	1
C	Mounting Plate Screw (preassembled to fixture (A))	4

## HARDWARE CONTENTS (shown actual size)

---

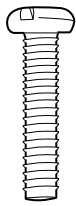
AA



Wire  
Connector

Qty. 3

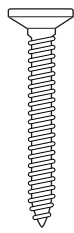
BB



Machine  
Screw

Qty. 2

CC



Fixture  
Screw

Qty. 2

DD



Plastic  
Anchor

Qty. 2



### SAFETY INFORMATION

---

#### READ AND SAVE THESE INSTRUCTIONS.



#### DANGER

- For your protection and safety, carefully read and understand the information provided in this manual completely before attempting to assemble, install or operate this product. Failure to do so could lead to fire, electrical shock or other injuries that could be hazardous or even fatal.
- DO NOT connect this fixture to an electrical system that does not provide a means for equipment grounding. Never use a fixture in a two-wire system that is not grounded. Installing a fixture into an electrical system not having a proper grounding means could cause metal parts of the fixture to carry electrical currents if any of the fixture wires, wire connections or splices were to become broken, cut or loose during the mounting or normal operation of the fixture. Under this condition, anyone coming in contact with the fixture would be subject to electrical shock, which could cause serious injury or death.
- DO NOT connect the bare or green insulation fixture ground wire to the black (HOT) current-carrying wire or the white neutral house wire. Connection of the bare or green fixture ground wire to the black or white house wires may cause metal parts of the fixture to carry electrical currents. Under this condition, anyone coming in contact with the fixture will receive electrical shock, which could cause serious injury or death.
- DO NOT damage or cut the wire insulation (covering) during installation of fixture. DO NOT permit wires to contact any surface having a sharp edge. To do so may damage or cut the wire insulation, which could cause serious injury or death from electrical shock.



#### WARNING

- All electrical connections must be in agreement with local codes and ordinances, the National Electric Code (NEC) and ANSI/NFPA 70-1999. Contact your municipal building department to learn about your local codes, permits and/or inspections. Risk of fire - most dwellings built before 1985 have supply wire rated for 140°F. Consult a qualified electrician before installation.
- To avoid personal injury, the use of gloves may be necessary while handling fixture parts with sharp edges.
- DO NOT suspend any fixture by the house wires. A fixture must always be mounted directly to an outlet box or to a mounting plate that is first attached to the outlet box. Wire connectors will not support the weight of a fixture. Suspending a fixture by the house wires and wire connectors will result in the fixture falling, with the possibility of personal injury and the danger of electrical shock or fire.
- To reduce the risk of damage to the fixture, DO NOT use power tools to assemble any part of the fixture.

## SAFETY INFORMATION

---

### WARNING

- To reduce the risk of fire, electrical shock or personal injury, wire connectors provided with this light fixture are designed to accept only one 12-gauge house wire and two lead wires from the light fixture. If your house wire is larger than 12-gauge or there is more than one house wire to connect to the corresponding fixture lead wires, consult an electrician for the proper size wire connectors to use.
- Modifications not approved by the party responsible for compliance could void the user's authority to operate the equipment.

The device complies with Part 15 of the FCC Rules. Operation is subject to the following two conditions: (1) this device may not cause harmful interference, (2) this device must accept any interference received, including interference that may cause undesired operation.

**Note:** This equipment has been tested and found to comply with the limits for a Class B digital device, pursuant to Part 15 of the FCC Rules. These limits are designed to provide reasonable protection against harmful interference in a residential installation. This equipment generates, uses and can radiate radio frequency energy and, if not installed and used in accordance with the instructions, may cause harmful interference to radio communications. However, there is no guarantee that interference will not occur in a particular installation. If this equipment does cause harmful interference to radio or television reception, which can be determined by turning the equipment off and on, the user is encouraged to try to correct the interference by one or more of the following measures: - Reorient or relocate the receiving antenna. - Increase the separation between the equipment and receiver. - Connect the equipment into an outlet on a circuit different from that to which the receiver is connected. Consult the dealer or an experienced radio/TV technician for help.

Distributed by: Litex Industries Inc., P.O. Box 535639, Grand Prairie, TX, 75053; 1-800-527-1292

### CAUTION

- TURN OFF ELECTRICITY at main fuse box (or circuit breaker box) before beginning installation by removing the fuse (or switching the circuit breaker off).
- If you are not sure the lighting system has a grounding means, DO NOT attempt to install this fixture. Contact a qualified, licensed electrician for information regarding the proper grounding methods as required by the local electrical code in your area.
- All fixtures must be mounted to an outlet box that is supported by the building structure.
- If a dimmer control switch is used with this fixture, obtain professional advice to determine the correct type to use as well as the electrical rating required.
- Do NOT tamper with or attempt to repair LED component of fixture. The light source is designed for this specific application and should not be serviced by untrained personnel. If any servicing is required, call our customer service department.

**NOTE:** Dimmable to 10% with select dimmers.

## PREPARATION

---

Before beginning assembly of product, make sure all parts are present. Compare parts with package contents list and hardware contents list. If any part is missing or damaged, do not attempt to assemble the product.

### **Estimated Assembly Time: 30 minutes**

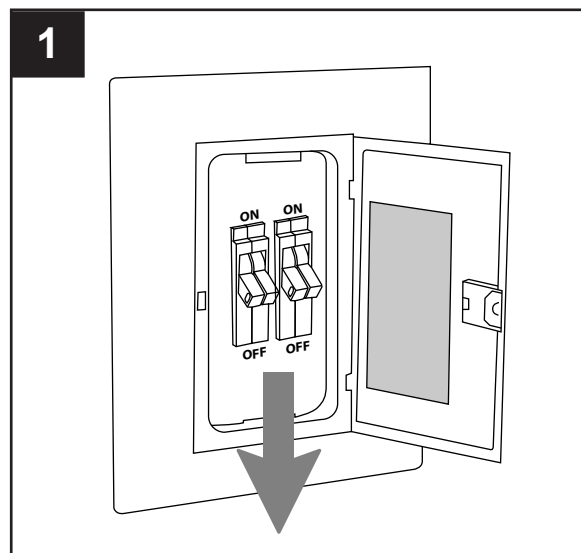
Tools Required for Assembly (not included): Flathead Screwdriver, Phillips Screwdriver, Wire Strippers, Drill, 1/8 in. Drill Bit, Hammer, Pencil, Pliers, Wire Cutters, Safety Glasses, Stepladder, Electrical Tape

Helpful Tools (not included): A/C Tester Light, Do-It-Yourself Guide, Soft Cloth, Level

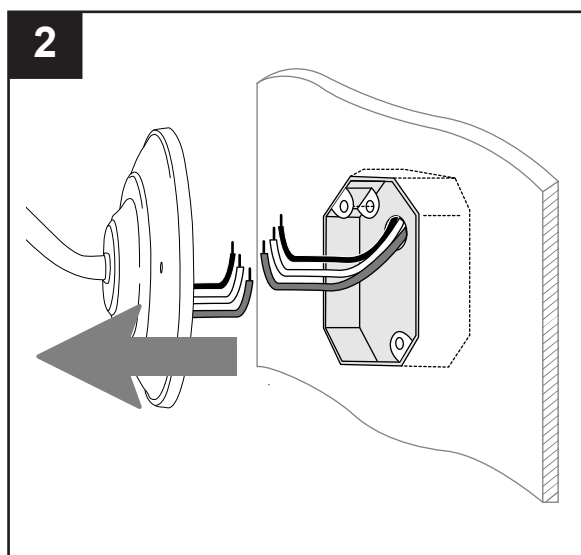
## ASSEMBLY INSTRUCTIONS

1. Turn off circuit breakers and wall switch to the fixture supply line leads.

**⚠ DANGER:** Failure to disconnect power supply prior to installation may result in serious injury or death.

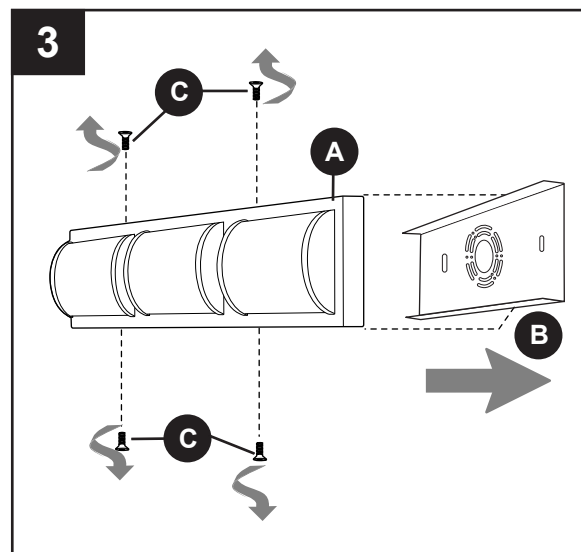


2. Remove existing fixture and disconnect all electrical wiring.



3. Remove mounting plate (B) from fixture (A) by removing mounting plate screws (C) from the edges of the fixture (A).

*Save mounting plate screws (C) for later use.*

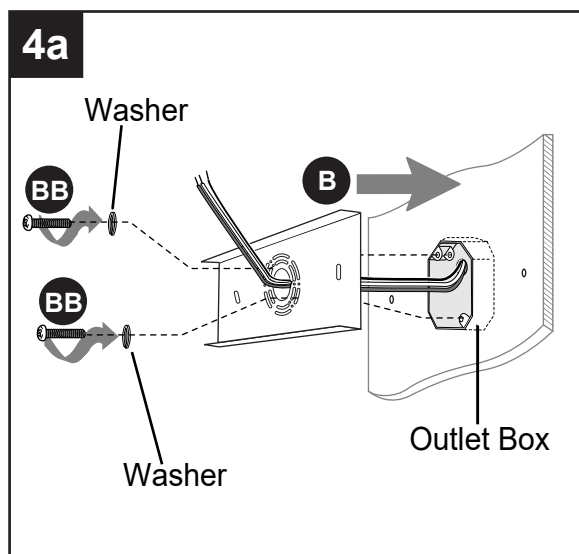


## ASSEMBLY INSTRUCTIONS


- 4a. **To mount the item directly to an outlet box (not included),** attach mounting plate (B) to outlet box using the existing washers and outlet box screws or the machine screws (BB). **Note:** If the outlet box screws required for your outlet box are of a different size than the machine screws (BB), consult with a licensed electrician before proceeding.

Use a level (not included) to make sure mounting plate (B) is level horizontally (shown) or vertically. This will help ensure the fixture (A) is level when attached. Tighten machine screws (BB) completely to secure mounting plate (B).

**CAUTION:** Make sure the outlet box can support 35 lbs. hanging weight. Use *metal* outlet box; plastic outlet boxes are not recommended.



### Hardware Used

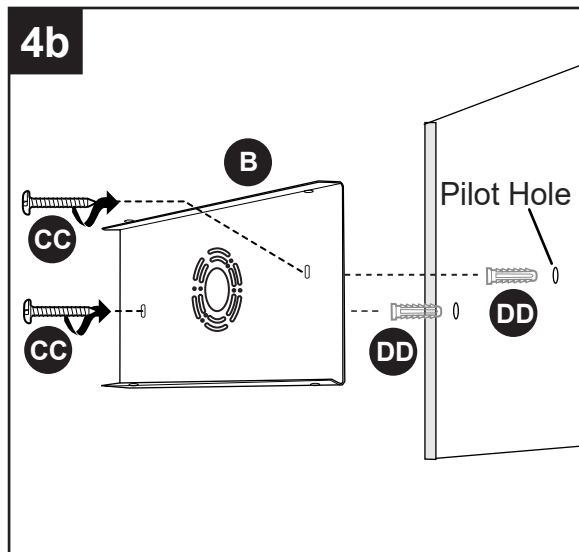
**BB** Machine Screw  x 2

- 4b. **To mount the item directly to wall,** determine the approximate location for the fixture (A). Place mounting plate (B) against the wall and mark the location of the holes using a pencil or a marker (not included). Set mounting plate (B) aside.

Then, using a 1/8 in. drill bit (not included), drill two pilot holes at the marked locations. Position plastic anchor (DD) in each pilot hole. Gently tap plastic anchors (DD) with a hammer (not included) until flush with wall surface.

Use a level to adjust mounting plate (B) parallel with floor and ceiling as needed. Secure mounting plate (B) to wall with fixture screws (CC).

**CAUTION:** To mount to wall without an outlet box, proper wiring for a light fixture must be present and/or accessible. If not, consult a qualified electrician before installing the fixture.



### Hardware Used

**CC** Fixture Screw  x 2

**DD** Plastic Anchor  x 2

## ASSEMBLY INSTRUCTIONS

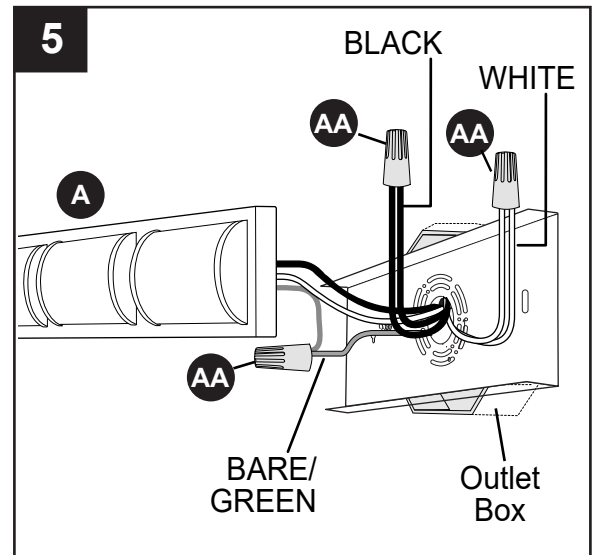
5. Prepare wires by stripping 3/4 in. of insulation from wire ends using wire strippers (not included).

Connect BARE/GREEN ground wire from outlet box to BARE ground wire from fixture (A) with wire connector (AA). Connect WHITE wire from fixture (A) to WHITE wire from outlet box using existing wire connector or wire connector (AA). Connect BLACK wire from fixture (A) to BLACK wire from outlet box using existing wire connector or wire connector (AA).

**NOTE:** Screw wire connectors (AA) on in a clockwise direction.

**⚠ WARNING:** Never connect ground wire to WHITE or BLACK power supply wires.

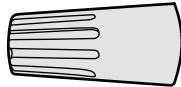
**⚠ WARNING:** To reduce the risk of fire, electrical shock or personal injury, wire connectors (AA) are designed to accept only one 12-gauge house wire and two lead wires from the light fixture. If your house wire is larger than 12-gauge or there is more than one house wire to connect to the corresponding fixture lead wires, consult an electrician for the proper size wire connectors to use.



### Hardware Used

AA

Wire Connector



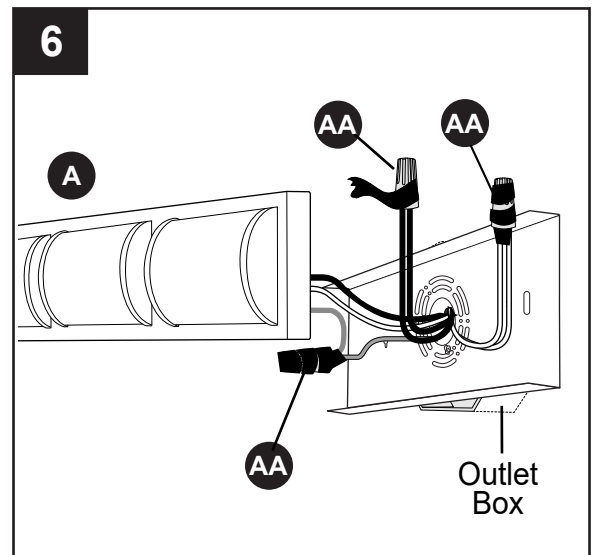
x 3

## ASSEMBLY INSTRUCTIONS

6. Wrap electrical tape (not included) around each individual wire connector (AA) down to the wire.

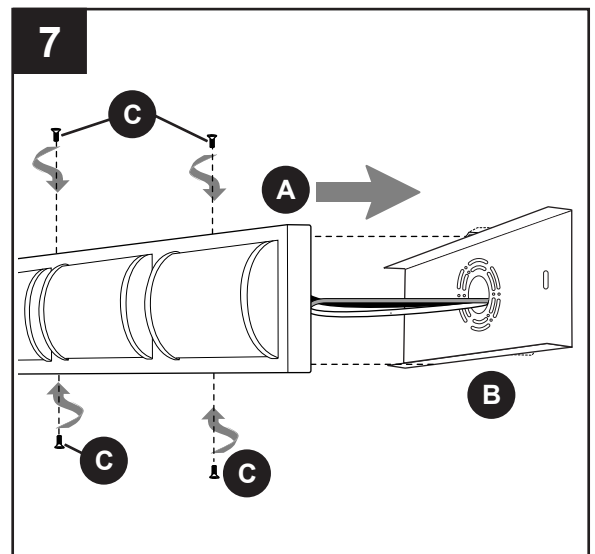
**! WARNING:** Make sure no bare wire or wire strands are visible after making connections.

Carefully push excess wiring and wire connectors (AA) gently back into outlet box.



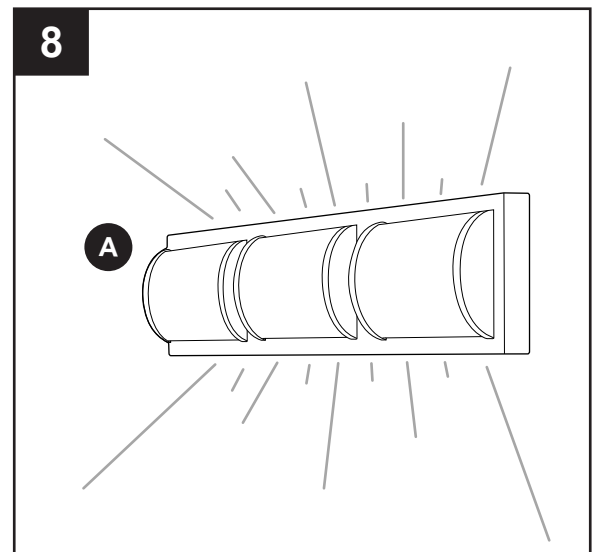
7. Attach fixture (A) to mounting plate (B) using the mounting plate screws (C) previously removed (Step 3, Page 5).

**NOTE:** Before tightening mounting plate screws (C) completely, use a level to check fixture (A) -- adjust if necessary.



8. Restore power and test fixture (A).

If lights do not function, please refer to TROUBLESHOOTING on the following page.





## CARE AND MAINTENANCE

---

- Shut off main power supply. Wipe fixture with soft, damp cloth. Use window cleaner to clean glass. Do not use an abrasive cleaner on glass or fixture.
- Total wattage for this fixture is 24 watts; do not attempt to replace the LEDs.

## TROUBLESHOOTING

---

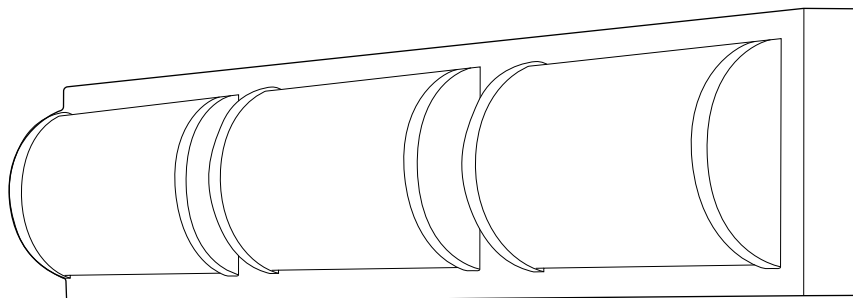
**⚠ WARNING:** Before beginning work, shut off the power supply to avoid electrical shock.

PROBLEM	POSSIBLE CAUSE	CORRECTIVE ACTION
Light does not come on initially or no longer comes on.	<ol style="list-style-type: none"><li>1. Power is OFF.</li><li>2. Faulty connection.</li><li>3. LED component is not working properly.</li></ol>	<ol style="list-style-type: none"><li>1. Make sure power supply is ON.</li><li>2. Check wiring and all connections.</li><li>3. Contact Customer Service.</li></ol>
Fuse blows out or circuit breaker trips.	<ol style="list-style-type: none"><li>1. Crossed wires.</li><li>2. Power wire is grounding out.</li></ol>	<ol style="list-style-type: none"><li>1. Check wiring.</li><li>2. Check all connections.</li></ol>

## WARRANTY

---

The distributor warrants all of its lighting fixtures against defects in materials and workmanship for five (5) years from the date of purchase. If within this period the product is found to be defective, take a copy of the bill of sale as a proof of purchase and the product in its original carton to the place of purchase. The distributor will, at its option, repair, replace or refund the purchase price to the consumer. All costs of installation and removal of the fixture is the responsibility of the consumer. This warranty does not cover fixtures becoming defective due to misuse, accidental damage or improper handling and/or installation and specifically excludes liability for direct, incidental or consequential damages. As some states do not allow exclusions of limitations on an implied warranty, the above exclusion and limitation may not apply. This warranty gives you specific rights and you may also have other rights which may vary from state to state.



APPROUVÉ POUR LES  
ENDROITS HUMIDES

ARTICLE # 1362612  
1362621  
2525799

## RAMPE D'ÉCLAIRAGE POUR MEUBLE-LAVABO

MODÈLE # VBL18-3BNK  
VBL18-3OSB  
VBL18-5BNK

Date d'achat \_\_\_\_\_

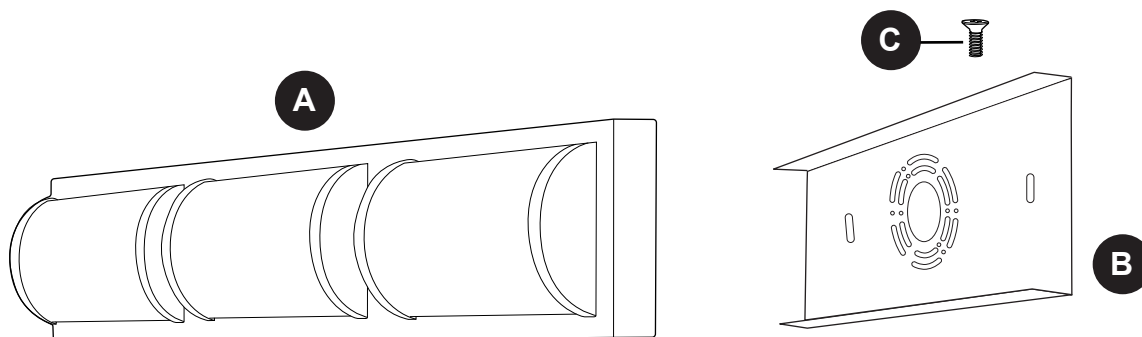


**Des questions, des problèmes, des pièces manquantes?** Avant de retourner l'article au détaillant, appelez notre service à la clientèle au **1 866 439-9800**, entre 8 h et 20 h (HNE), du lundi au dimanche.

## TABLE DES MATIÈRES

Contenu de l'emballage .....	11
Quincaillerie incluse .....	12
Consignes de sécurité .....	12
Préparation .....	13
Instructions pour l'assemblage .....	14
Entretien .....	18
Dépannage .....	18
Garantie .....	18

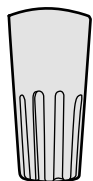
## CONTENU DE L'EMBALLAGE



PIÈCE	DESCRIPTION	QUANTITÉ
A	Luminaire	1
B	Traverse (préassemblée au luminaire [A])	1
C	Vis de la traverse (préassemblée au luminaire [A])	4

## QUINCAILLERIE INCLUSE (grandeur réelle)

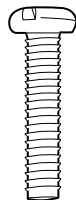
AA



Capuchon de connexion

Qté : 3

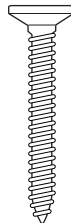
BB



Vis à métaux

Qté : 2

CC



Vis du luminaire

Qté : 2

DD



Cheville d'ancrage en plastique

Qté : 2

### **CONSIGNES DE SÉCURITÉ**

**VEUILLEZ LIRE ET CONSERVER CES INSTRUCTIONS.**

#### **DANGER**

- Pour votre protection et votre sécurité, veuillez lire attentivement ce manuel et vous assurer de comprendre l'information qu'il contient avant de tenter d'assembler, d'installer ou d'utiliser cet article. Le non-respect de cette consigne entraîne des risques d'incendie, de choc électrique ou de blessure pouvant représenter un danger ou causer la mort.
- NE branchez PAS ce luminaire sur un système électrique sans mise à la terre. N'utilisez jamais un luminaire avec un branchement à deux fils sans mise à la terre. Le branchement d'un luminaire sur un système électrique incorrectement mis à la terre risquerait d'acheminer le courant dans les pièces métalliques du luminaire si un fil, un raccord ou une épissure se brisait, se fissurait ou se détendait pendant l'installation ou l'utilisation normale du luminaire. Dans une telle situation, quiconque entrerait en contact avec le luminaire risquerait de recevoir un choc électrique pouvant causer des blessures graves, voire mortelles.
- NE raccordez PAS le fil dénudé ou vert de mise à la terre du luminaire au fil noir (SOUS TENSION) ou au fil blanc neutre de la maison. Le raccordement du fil dénudé ou du fil vert de mise à la terre du luminaire au fil noir ou au fil blanc de la maison risquerait d'acheminer le courant dans les pièces métalliques du luminaire. Dans une telle situation, quiconque entrerait en contact avec le luminaire risquerait de recevoir un choc électrique pouvant causer des blessures graves, voire mortelles.
- Veillez à NE PAS endommager ni couper la gaine protectrice (revêtement) des fils pendant l'installation du luminaire. NE laissez PAS les fils entrer en contact avec une surface ayant un rebord tranchant. Vous risqueriez d'endommager ou de couper la gaine protectrice des fils, ce qui entraînerait des risques de blessure grave ou de mort par choc électrique.

#### **AVERTISSEMENT**

- Toutes les connexions électriques doivent être conformes aux codes et règlements locaux ou au Code national de l'électricité et au code ANSI/NFPA 70-1999. Communiquez avec le service des bâtiments et de l'entretien de votre municipalité pour connaître les mesures d'inspection, les codes et les permis en vigueur. Risque d'incendie : la température nominale du fil d'alimentation électrique de la plupart des habitations construites avant 1985 est de 60 °C. Demandez conseil à un électricien qualifié avant d'installer le luminaire.
- Portez des gants au besoin pour manipuler les pièces aux bords coupants afin de prévenir les blessures.
- Ne suspendez AUCUN luminaire par les fils électriques de la maison. Le luminaire doit toujours être fixé à une boîte de sortie ou à une traverse qui a d'abord été fixée à la boîte de sortie. Les capuchons de connexion ne peuvent supporter le poids d'un luminaire. Suspendre un luminaire par les fils électriques de la maison et les capuchons de connexion pourrait causer la chute du luminaire, ce qui entraînerait des risques de blessures, de choc électrique ou d'incendie.
- Afin de réduire le risque de dommage au luminaire, NE PAS utiliser d'outils électriques pour assembler les pièces du luminaire.

## **CONSIGNES DE SÉCURITÉ**

---

### **AVERTISSEMENT**

- Afin de réduire les risques d'incendie, de choc électrique ou de blessure, les capuchons de connexion fournis avec le luminaire sont conçus pour n'accepter qu'un fil de la maison de calibre 12 et deux fils de connexion du luminaire. Si le fil de votre maison est d'un calibre supérieur à 12 ou si plus d'un fil de la maison doit être raccordé aux fils de connexion correspondants du luminaire, consultez un électricien pour déterminer la taille des capuchons de connexion à utiliser.
- Les modifications non autorisées expressément par la partie responsable de la conformité peuvent annuler le droit de l'utilisateur de se servir de cet appareil.

L'appareil est conforme à la Section 15 de la Réglementation de la FCC. L'utilisation en est soumise aux deux conditions suivantes : (1) cet appareil ne doit pas causer d'interférences nuisibles, (2) cet appareil doit accepter toutes les interférences reçues, y compris les interférences qui peuvent causer un fonctionnement non souhaité.

**Remarque :** Cet appareil a été testé et déclaré conforme aux limites imposées aux dispositifs numériques de classe B, conformément à l'alinéa 15 du règlement de la FCC. Ces limites sont destinées à assurer une protection raisonnable contre les interférences nuisibles dans un environnement résidentiel. Cet appareil génère, utilise et peut émettre de l'énergie radiofréquence et, s'il n'est pas installé et utilisé conformément aux instructions, risque de provoquer des interférences nuisibles aux communications radio. Cependant, tout risque d'interférence ne peut être totalement exclu. S'il constate des interférences lors de la réception d'émissions de radio ou de télévision (il suffit pour le vérifier d'allumer et d'éteindre successivement l'appareil), l'utilisateur devra prendre l'une ou plusieurs des mesures suivantes pour les éliminer : réorienter ou déplacer l'antenne réceptrice; accroître la distance entre l'appareil et le récepteur; brancher l'appareil sur une prise de courant appartenant à un autre circuit que celui du récepteur. Consultez le détaillant ou un technicien en radio ou en télévision expérimenté si vous avez besoin d'aide.

Distribué par : Litex Industries Inc., P.O. Box 535639, Grand Prairie, TX, 75053; 1-800-527-1292

### **ATTENTION**

- Avant l'installation, **COUPEZ L'ALIMENTATION ÉLECTRIQUE** à partir du panneau central de disjoncteurs ou de fusibles en retirant le fusible ou en plaçant le disjoncteur en position hors tension.
- Si vous ne savez pas si votre système d'éclairage est mis à la terre, ne tentez **PAS** d'installer ce luminaire. Communiquez avec un électricien qualifié pour connaître les méthodes de mise à la terre appropriées selon le code de l'électricité de votre région.
- Tous les luminaires doivent être raccordés à une boîte de sortie fixée sur la structure de l'immeuble.
- Si vous voulez utiliser un gradateur avec ce luminaire, consultez un professionnel pour déterminer le type de gradateur à utiliser et les caractéristiques électriques nécessaires.
- Ne tentez **PAS** de modifier ou de réparer le voyant à DEL du luminaire. Le luminaire est conçu pour une utilisation précise, et son entretien ne devrait pas être effectué par une personne qui ne sait pas s'en servir. Si tout entretien est nécessaire, communiquez avec le service à la clientèle.

**REMARQUE :** Intensité réglable à 10 % avec certains gradateurs.

## **PRÉPARATION**

---

Avant de commencer à assembler l'article, assurez-vous d'avoir toutes les pièces. Comparez-les pièces avec la liste du contenu de l'emballage et celle de la quincaillerie incluse. S'il y a des pièces manquantes ou endommagées, ne tentez pas d'assembler l'article.

### **Temps d'assemblage approximatif : 30 minutes**

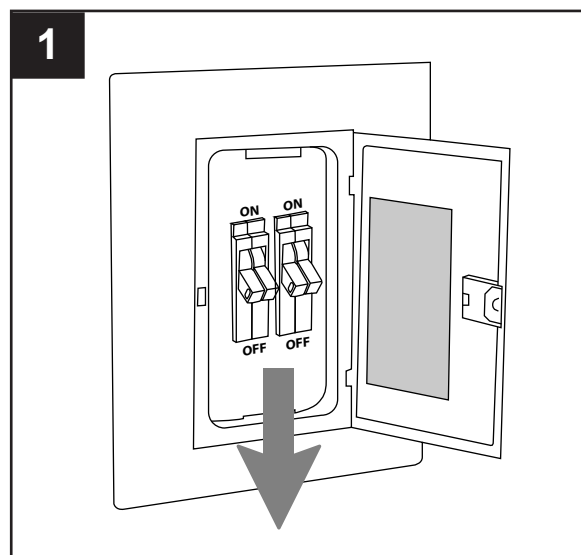
Outils nécessaires pour l'assemblage (non inclus) : tournevis à tête plate, tournevis cruciforme, pinces à dénuder, perceuse, foret de 3,175 mm (1/8 po), marteau, crayon, pinces, coupe-fil, lunettes de sécurité, escabeau, ruban isolant

Outils utiles (non inclus) : détecteur de tension c.a., guide pour bricoleurs, linge doux et niveau

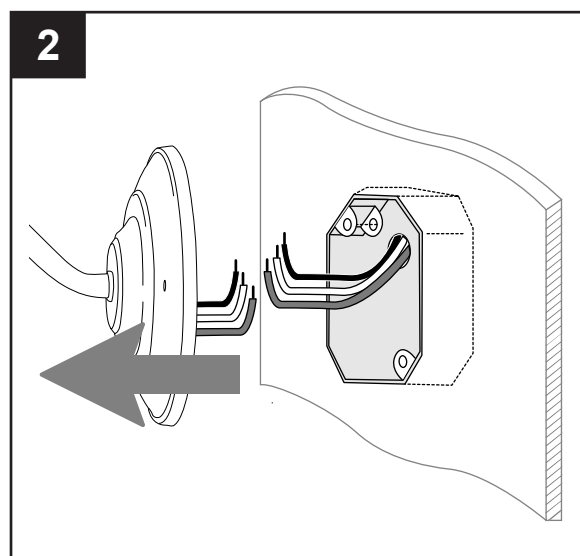
## INSTRUCTIONS POUR L'ASSEMBLAGE

1. Coupez l'alimentation électrique à partir du panneau de disjoncteurs et à l'aide de l'interrupteur mural qui alimente les fils du luminaire.

**⚠ DANGER** : Ne pas couper l'alimentation électrique avant l'installation peut entraîner des blessures graves ou la mort.

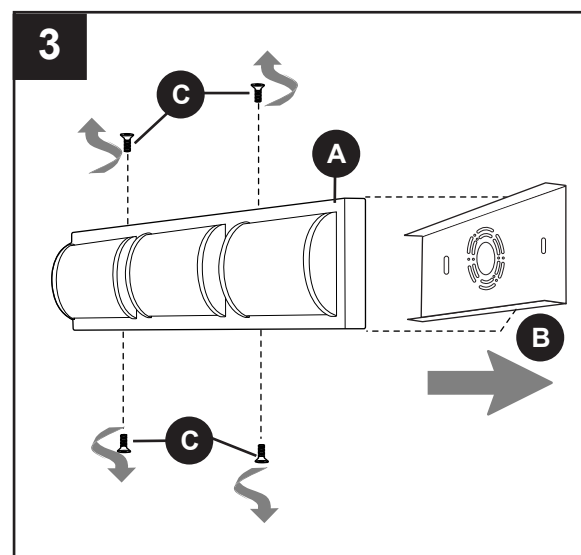


2. Retirez le luminaire en place et débranchez tout le câblage électrique.



3. Retirez la traverse (B) du luminaire (A) afin de retirer les vis de la traverse (C) des bords du luminaire (A).

*Conservez les vis de la traverse (C) pour les réutiliser.*



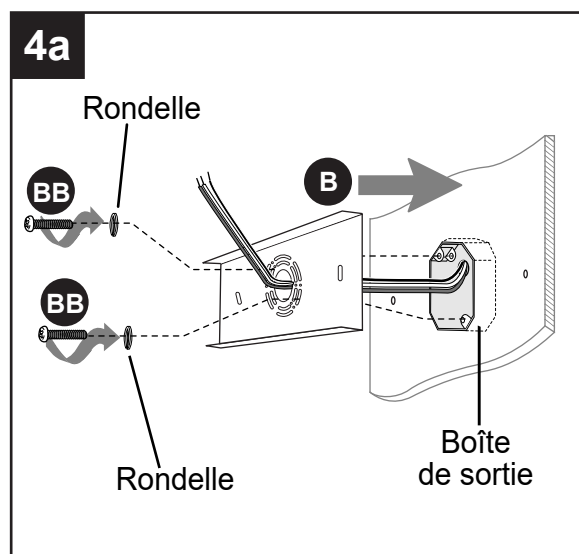
## INSTRUCTIONS POUR L'ASSEMBLAGE

- 4a. **Pour fixer l'article directement à une boîte de sortie (non incluse)**, fixez d'abord la traverse (B) à la boîte de sortie à l'aide des vis de la boîte de sortie et des rondelles existantes ou des vis à métaux (BB).

**Remarque :** Si votre boîte de sortie nécessite des vis pour boîte de sortie dont la taille est différente de celle des vis à métaux (BB), consultez un électricien qualifié avant de continuer.

Utilisez un niveau (non inclus) afin que la traverse (B) soit parallèle au plancher et au plafond au besoin, puis serrez complètement les vis à métaux (BB) pour fixer la traverse (B).

**⚠ ATTENTION :** Assurez-vous que la boîte de sortie peut soutenir un poids de 15,88 kg. Utilisez une boîte de sortie *métallique*. Les boîtes de sortie en plastique ne sont pas recommandées.



### Quincaillerie utilisée

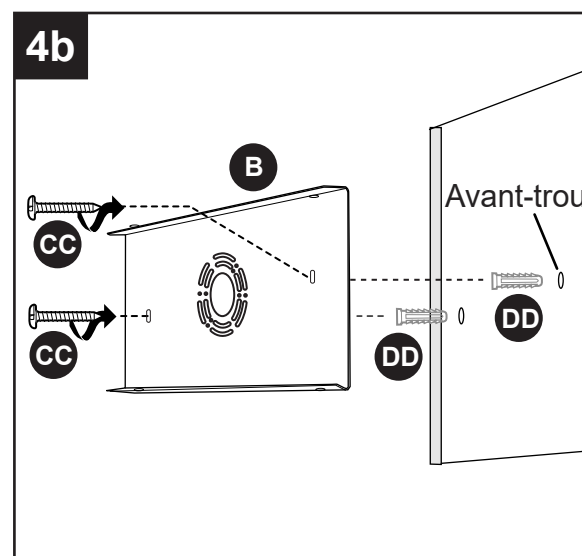
**BB** Vis à métaux  x 2

- 4b. **Pour fixer l'article directement au mur**, déterminez l'emplacement approximatif du luminaire (A). Placez la traverse (B) contre le mur et marquez l'emplacement des encoches de la traverse (B) à l'aide d'un crayon ou d'un crayon-feutre (non inclus). Mettez la traverse (B) de côté.

Percez ensuite deux avant-trous aux endroits marqués à l'aide d'un foret de 3,175 mm (1/8 po) (non inclus). Placez la cheville d'ancrage en plastique (DD) dans chaque l'avant-trou. À l'aide d'un marteau (non inclus), frappez doucement sur les chevilles d'ancrage (DD) jusqu'à ce qu'elles soient encastrées.

Utilisez un niveau pour ajuster la traverse (B) afin qu'elle soit parallèle au plancher et au plafond au besoin. Fixez la traverse (B) au mur à l'aide des vis du luminaire (CC).

**⚠ ATTENTION :** Pour fixer le luminaire au mur sans boîte de sortie, un câblage adéquat pour un luminaire doit être présent ou accessible. Si ce n'est pas le cas, faites appel à un électricien qualifié avant d'installer le luminaire.



### Quincaillerie utilisée

**CC** Vis du luminaire  x 4

**DD** Cheville d'ancrage en plastique  x 4

## INSTRUCTIONS POUR L'ASSEMBLAGE

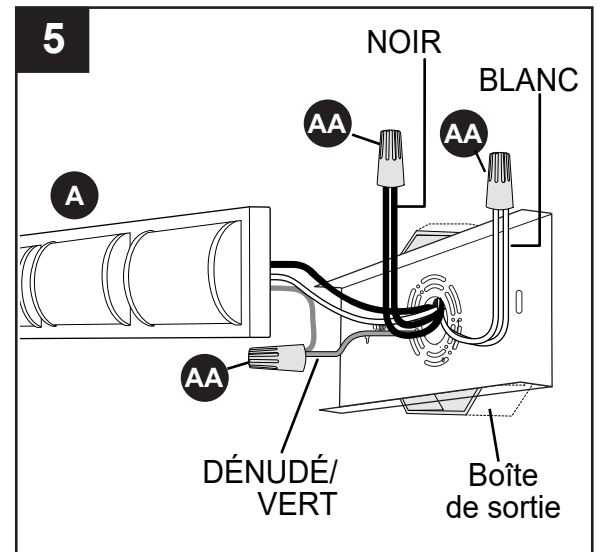
5. Préparez le fil en le dénudant sur 1,91 cm à partir de l'extrémité au moyen de pinces à dénuder (non incluses).

Raccordez le fil de mise à la terre DÉNUDÉ/VERT de la boîte de sortie au fil de mise à la terre DÉNUDÉ en provenance du luminaire (A) au moyen d'un capuchon de connexion (AA). Raccordez le fil BLANC du luminaire (A) au fil BLANC en provenance de la boîte de sortie au moyen du capuchon de connexion existant ou d'un capuchon de connexion (AA). Raccordez le fil NOIR du luminaire (A) au fil NOIR en provenance de la boîte de sortie au moyen du capuchon de connexion existant ou d'un capuchon de connexion (AA).

**REMARQUE :** Vissez les capuchons de connexion (AA) dans le sens des aiguilles d'une montre.

**⚠ AVERTISSEMENT :** Ne raccordez jamais le fil de mise à la terre aux fils d'alimentation BLANC ou NOIR.

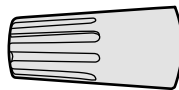
**⚠ AVERTISSEMENT :** Afin de réduire les risques d'incendie, de choc électrique ou de blessure, les capuchons de connexion (AA) fournis avec le luminaire sont conçus pour n'accepter qu'un fil de la maison de calibre 12 et deux fils de connexion du luminaire. Si le fil de votre maison est d'un calibre supérieur à 12 ou si plus d'un fil de la maison doit être branché sur les fils de connexion correspondants du luminaire, consultez un électricien pour déterminer la taille des capuchons de connexion à utiliser.



### Quincaillerie utilisée

AA

Capuchon de connexion



x 3

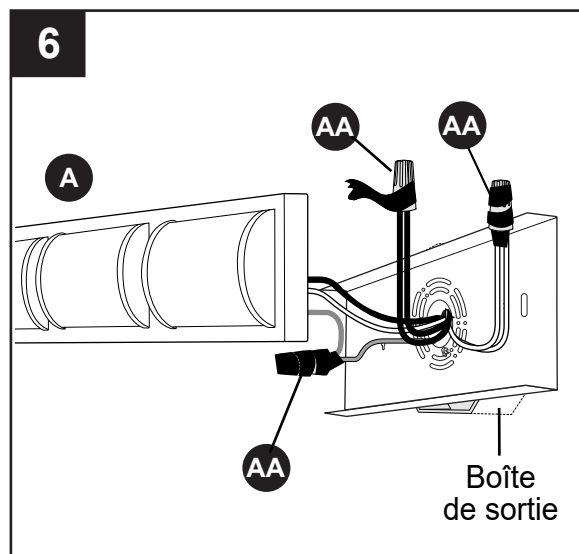


## INSTRUCTIONS POUR L'ASSEMBLAGE

6. Enroulez du ruban isolant (non inclus) autour de chaque capuchon de connexion (AA) jusqu'au fil.

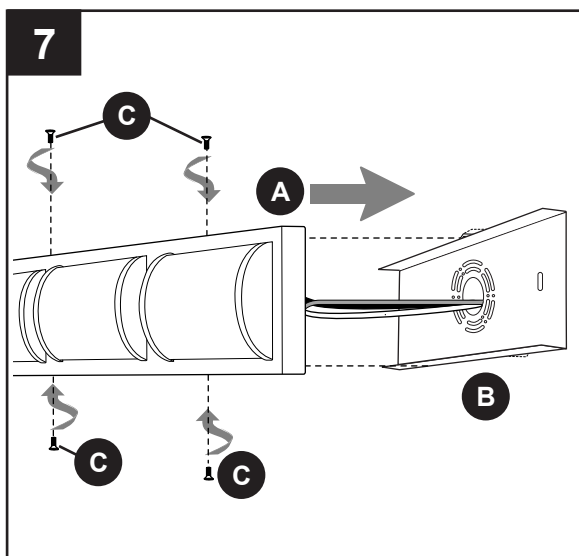
**⚠ AVERTISSEMENT :** Assurez-vous qu'aucun fil dénudé ni aucun brin de fil ne sont visibles après avoir établi les connexions.

Poussez délicatement les capuchons de connexion (AA) et les fils qui dépassent dans la boîte de sortie.



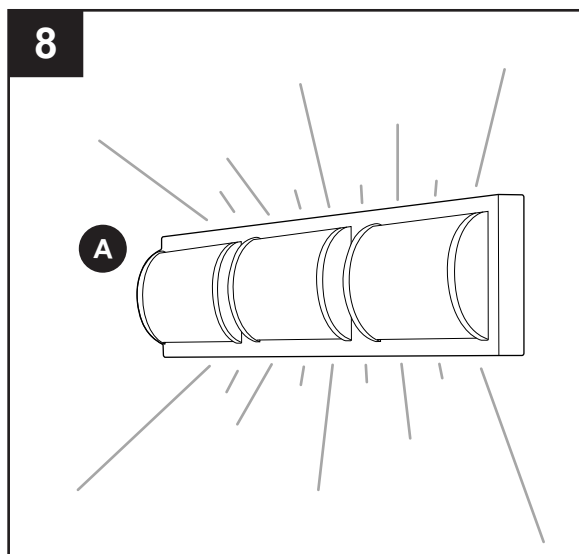
7. Fixez le luminaire (A) à la traverse (B) à l'aide des vis de la traverse (C) retirés précédemment (étape 3, page 14).

**REMARQUE :** Avant de serrer complètement les vis de la traverse (C), vérifiez le luminaire (A) à l'aide d'un niveau. Au besoin ajustez le luminaire (A).



8. Rétablissez l'alimentation et vérifiez si le luminaire (A) fonctionne.

Si le luminaire ne fonctionne pas, consultez la section DÉPANNAGE à la page suivante.



## ENTRETIEN

---

- Coupez l'alimentation électrique principale. Nettoyez le luminaire à l'aide d'un linge doux et humide. Utilisez un nettoyant pour vitres pour nettoyer le verre. N'utilisez pas de détergent abrasif sur le verre ou le luminaire.
- La puissance totale de ce luminaire est de 24 W; n'essayez pas de remplacer les ampoules à DEL.

## DÉPANNAGE

---

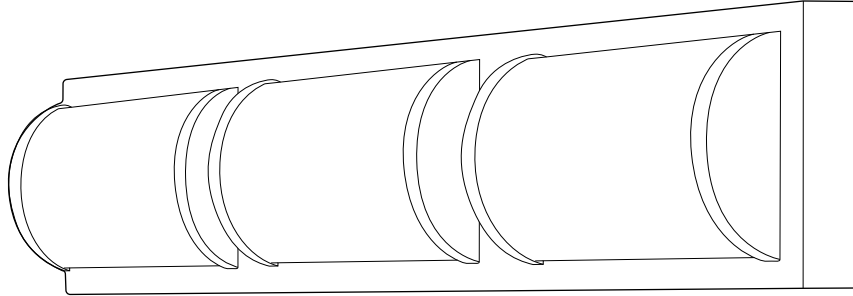
**⚠ AVERTISSEMENT** : Avant de commencer l'installation, coupez l'alimentation électrique pour éliminer les risques de choc électrique.

PROBLÈME	CAUSE POSSIBLE	MESURE CORRECTIVE
La lumière ne s'allume pas au départ ou elle ne s'allume plus.	<ol style="list-style-type: none"><li>1. L'alimentation est coupée.</li><li>2. Les fils électriques sont mal branchés.</li><li>3. Les ampoules à DEL ne fonctionnent pas correctement.</li></ol>	<ol style="list-style-type: none"><li>1. Vérifiez l'alimentation électrique.</li><li>2. Vérifiez le câblage et toutes les connexions.</li><li>3. Communiquez avec le service à la clientèle.</li></ol>
Un fusible saute ou un disjoncteur se déclenche.	<ol style="list-style-type: none"><li>1. Des fils sont croisés.</li><li>2. Le fil d'alimentation n'est pas mis à la terre.</li></ol>	<ol style="list-style-type: none"><li>1. Vérifiez le câblage.</li><li>2. Vérifiez toutes les connexions.</li></ol>

## GARANTIE

---

Le distributeur garantit tous ses luminaires contre les défauts de matériaux ou de fabrication pour une période de cinq (5) ans à compter de la date d'achat. Si l'article se révèle défectueux durant cette période, ramenez-le dans son emballage d'origine à l'endroit où vous l'avez acheté et présentez une copie de votre reçu comme preuve d'achat. Le distributeur choisira de réparer ou de remplacer l'article, ou de rembourser l'équivalent du prix d'achat. Les frais d'installation et de retrait du luminaire incombent au consommateur. Cette garantie ne s'applique pas aux luminaires endommagés en raison d'un usage inapproprié, de dommages accidentels, d'une manipulation ou d'une installation inadéquate, et elle exclut expressément toute responsabilité pour des dommages directs, accessoires ou consécutifs, un emballage inadéquat des articles retournés ou un cas de force majeure. Certains États ou certaines provinces ne permettent pas l'exclusion ou la limitation d'une garantie implicite, de sorte que les limitations ou exclusions mentionnées ci-dessus peuvent ne pas s'appliquer à vous. Cette garantie vous confère des droits précis. Il est possible que vous disposiez également d'autres droits, qui varient d'un État ou d'une province à l'autre.



APROBADO PARA USO  
EN LUGARES HÚMEDOS

ARTÍCULO #1362612  
1362621  
2525799

## BARRA PARA TOCADOR

MODELO #BL18-3BNK  
VBL18-3OSB  
VBL18-5BNK

Fecha de compra \_\_\_\_\_



**¿Preguntas, problemas, piezas faltantes?** Antes de volver a la tienda, llame a nuestro Departamento de Servicio al Cliente al **1-866-439-9800**, de lunes a domingo de 8 a.m. a 8 p.m., hora estándar del Este.

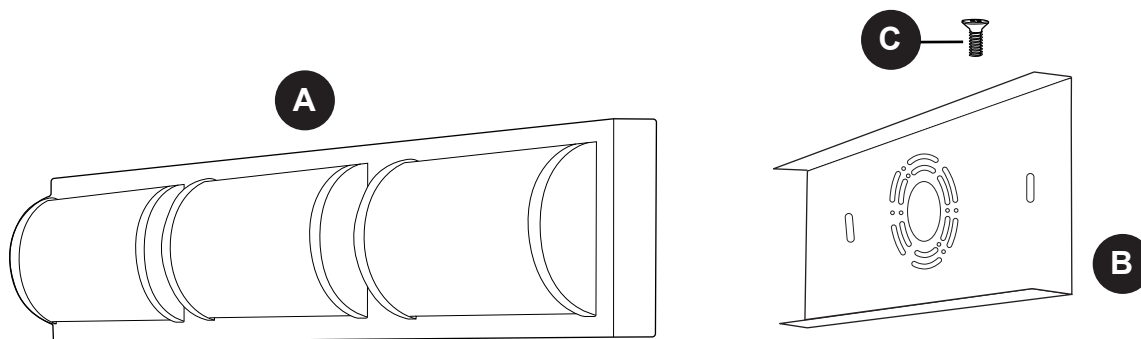
## ÍNDICE

---

Contenido del paquete .....	20
Aditamentos .....	21
Información de seguridad .....	21
Preparación .....	22
Instrucciones de ensamblaje .....	23
Cuidado y mantenimiento .....	27
Solución de problemas .....	27
Garantía .....	27

## CONTENIDO DEL PAQUETE

---

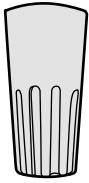


PIEZA	DESCRIPCIÓN	CANTIDAD
A	Lámpara	1
B	Placa de montaje (preensamblada en la lámpara (A))	1
C	Tornillo de la placa de montaje (preensamblado a la lámpara (A))	4

## ADITAMENTOS (se muestran en tamaño real)

---

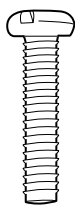
AA



Conector de cables

Cant. 3

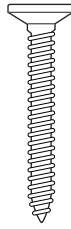
BB



Tornillo para metal

Cant. 2

CC



Tornillo para lámpara

Cant. 2

DD



Ancla de expansión de plástico

Cant. 2

## INFORMACIÓN DE SEGURIDAD

---

### LEA Y GUARDE ESTAS INSTRUCCIONES.

#### PELIGRO

- Por su propia protección y seguridad, lea atentamente y comprenda la información de este manual en su totalidad antes de intentar ensamblar, instalar o usar este producto. No hacerlo podría provocar descargas eléctricas, incendios u otras lesiones que pueden ser peligrosas o incluso fatales.
- NO conecte esta lámpara a un sistema eléctrico que no proporcione un medio de puesta a tierra para el equipo. Nunca utilice una lámpara en un sistema de dos cables que no tenga puesta a tierra. Instalar una lámpara en un sistema eléctrico que no tenga una puesta a tierra adecuada podría provocar que las piezas de metal de la lámpara conduzcan corriente eléctrica si cualquiera de los cables, las conexiones del cableado o los empalmes de la lámpara se rompen, se cortan o se sueltan durante el montaje o funcionamiento normal. En esta situación, cualquier persona que entre en contacto con la lámpara podría recibir una descarga eléctrica, la que podría provocar lesiones graves o la muerte.
- NO conecte el conductor de puesta a tierra de aislamiento desnudo o verde de la lámpara al conductor negro (DE CORRIENTE) que lleva la corriente o al conductor blanco (NEUTRO) de la casa. Conectar el conductor de tierra desnudo o verde de la lámpara al conductor negro o blanco de la casa puede provocar que las piezas metálicas de la lámpara conduzcan corriente eléctrica. En esta situación, cualquier persona que entre en contacto con la lámpara recibirá una descarga eléctrica, la que podría provocar lesiones graves o la muerte.
- NO dañe ni corte el aislamiento del conductor (cubierta) durante la instalación de la lámpara. NO permita que los conductores entren en contacto con superficies que tengan un borde afilado, ya que esto podría dañar o cortar el aislamiento del conductor y provocar lesiones graves o la muerte debido a una descarga eléctrica.

#### ADVERTENCIA

- Todas las conexiones eléctricas deben cumplir con los códigos y ordenanzas locales, el Código Eléctrico Nacional (NEC, por sus siglas en inglés) y la norma ANSI/NFPA 70-1999. Póngase en contacto con su departamento de construcción municipal para consultar sobre sus códigos, permisos y/o inspecciones locales. Riesgo de incendio: la mayoría de las casas construidas antes de 1985 tienen cables conductores del suministro clasificados para 60 °C. Consulte a un electricista calificado antes de realizar la instalación.
- Para evitar lesiones personales, puede ser necesario usar guantes al manipular las piezas de la lámpara con bordes filosos.
- NUNCA cuelgue lámparas de los conductores de la casa. Siempre se debe montar la lámpara directamente en una caja de salida o una placa de montaje que primero esté unida a la caja de salida. Los conectores de cables no sostendrán el peso de una lámpara. Si cuelga una lámpara de los cables de la casa y los conectores de cables, esta se caerá y podría provocar lesiones personales y peligro de descarga eléctrica o incendio.
- Para reducir el riesgo de daño a la lámpara, NO utilice herramientas eléctricas para ensamblar ninguna parte de esta lámpara.

## INFORMACIÓN DE SEGURIDAD

---

### ADVERTENCIA

- Para reducir el riesgo de incendios, descargas eléctricas o lesiones personales, los conectores de cables incluidos con esta lámpara están diseñados para sostener solo un conductor de la casa de calibre 12 y dos cables conductores de la lámpara. Si el conductor de la casa es de un calibre superior a 12 o hay más de un conductor de la casa para conectar a los cables conductores de la lámpara correspondientes, consulte a un electricista sobre el tamaño adecuado de los conectores de cables que debe utilizar.
- Las modificaciones que no estén aprobadas por la parte responsable del cumplimiento podrían anular la autorización del usuario para utilizar el equipo.

Este dispositivo cumple con la Parte 15 de las Reglas de la FCC. La operación está sujeta a las dos siguientes condiciones: (1) Este dispositivo no provoca ninguna interferencia perjudicial; (2) Este dispositivo aceptará cualquier interferencia que reciba, incluyendo aquellas que provoquen una operación no deseada.

**Nota:** este equipo ha sido probado y se ha verificado que cumple con los límites para un dispositivo digital clase B, conforme a la sección 15 de las reglas de la FCC. Estos límites se han diseñado para proporcionar una protección razonable contra la interferencia perjudicial en una instalación residencial. Este equipo genera, utiliza y puede irradiar energía de radiofrecuencia y, si no se instala y se usa de acuerdo con las instrucciones, puede causar interferencia perjudicial a las comunicaciones de radio. Sin embargo, no se garantiza que no se producirán interferencias en una instalación en especial. Si este equipo genera una interferencia perjudicial para la recepción de radio o televisión, que se puede determinar apagando y encendiendo el equipo, se recomienda al usuario que intente corregir la interferencia con una o más de las siguientes medidas:

- reoriente o reubique la antena de recepción;
- aumente la separación entre el equipo y el receptor;
- conecte el equipo a un tomacorriente de un circuito distinto al que usa el receptor. Solicite ayuda al distribuidor o a un técnico con experiencia en radio/TV.

Distribuido por: Litex Industries Inc., P.O. Box 535639, Grand Prairie, TX, 75053; 1-800-527-1292

### PRECAUCIÓN

- **DESCONECTE EL SUMINISTRO DE ELECTRICIDAD** desde la caja de fusibles principal (o desde la caja del interruptor de circuito) antes de comenzar la instalación; para hacerlo, retire el fusible (o apague el interruptor de circuito).
- **NO** intente instalar esta lámpara si no está seguro de que su sistema de iluminación tiene una puesta a tierra. Póngase en contacto con un electricista calificado y certificado para obtener información sobre los métodos adecuados de puesta a tierra exigidos por el código local de electricidad de su área.
- Todas las lámparas se deben montar en una caja de salida que esté sostenida de la estructura del edificio.
- Si utiliza un regulador de control de intensidad con esta lámpara, solicite asesoría profesional para determinar el tipo de regulador y la clasificación eléctrica correcta que se requiere.
- **NO** manipule ni intente reparar el componente LED de la lámpara. La fuente de luz está diseñada para esta aplicación específica y el mantenimiento no debe estar a cargo de personal sin capacitación. Si necesita algún tipo de mantenimiento, llame a nuestro Departamento de Servicio al Cliente.

**NOTA:** Se puede regular al 10% con reguladores seleccionados.

## PREPARACIÓN

---

Antes de comenzar a ensamblar el producto, asegúrese de tener todas las piezas. Compare las piezas con la lista del contenido del paquete y la lista del contenido de los aditamentos. No intente ensamblar el producto si falta alguna pieza o si estas están dañadas.

### **Tiempo estimado de ensamblaje: 30 minutos**

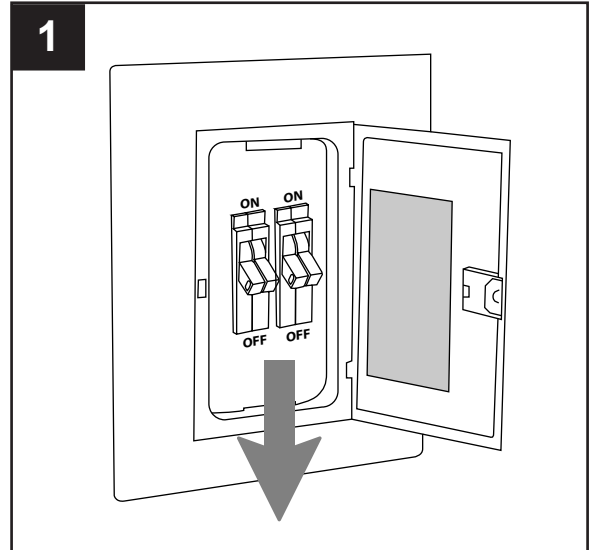
Herramientas necesarias para el ensamblaje (no se incluyen): destornillador de cabeza plana, destornillador Phillips, pinzas pelacables, taladro, broca para taladro de 3,175 mm (1/8 pulg.), martillo, lápiz, pinzas, pinzas cortacables, gafas de seguridad, escalera de tijera, cinta aislante

Herramientas útiles (no se incluyen): luz de prueba de CA, guía "hágalo usted mismo", paño suave, nivel

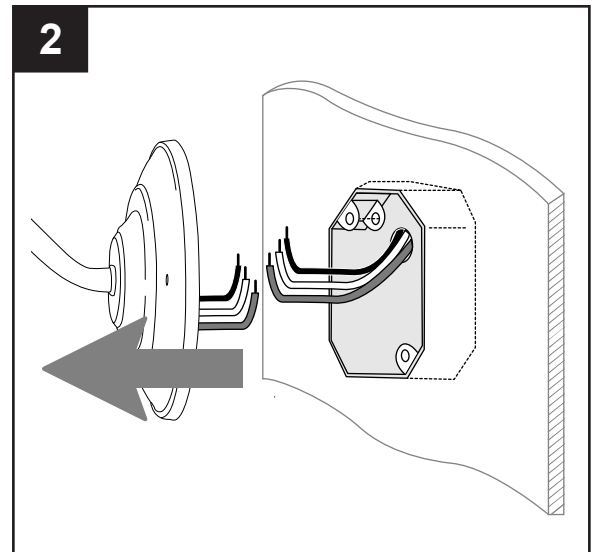
## INSTRUCCIONES DE ENSAMBLAJE

1. Apague los interruptores de circuito y el interruptor de pared que alimentan los terminales de la línea de suministro de la lámpara.

**⚠ PELIGRO:** si no interrumpe el suministro de electricidad antes de la instalación, pueden producirse lesiones graves o la muerte.

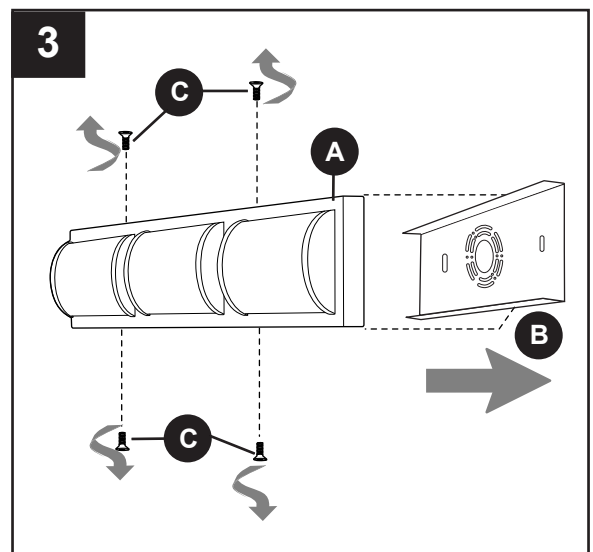


2. Retire la lámpara existente y desconecte el cableado eléctrico.



3. Retire la placa de montaje (B) de la lámpara (A) retirando los tornillos de la placa de montaje (C) de los bordes de la lámpara (A).

*Guarde los tornillos de la placa de montaje (C) para su uso posterior.*

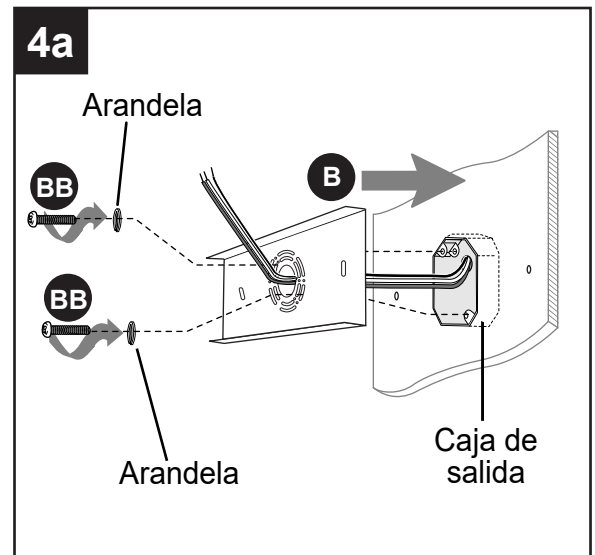


## INSTRUCCIONES DE ENSAMBLAJE

- 4a. **Para montar el artículo directamente en una caja de salida (no se incluye),** fije la placa de montaje (B) a la caja de salida utilizando las arandelas y los tornillos de la caja de salida existentes o los tornillos para metal (BB). **NOTA:** si el tamaño de los tornillos de la caja de salida requeridos para su caja es diferente al de los tornillos para metal (BB), consulte a un electricista certificado antes de proceder.

Si es necesario, use un nivel (no se incluye) para ajustar la placa de montaje (B) en forma paralela al piso y al techo, y luego fije los tornillos para metal (BB) para asegurar la placa de montaje (B).

**⚠ PRECAUCIÓN:** asegúrese de que la caja de salida pueda sostener 15,88 kg de peso colgante. Utilice una caja de salida de *metal*, no se recomienda el uso de cajas de salida de plástico.



### Aditamentos utilizados

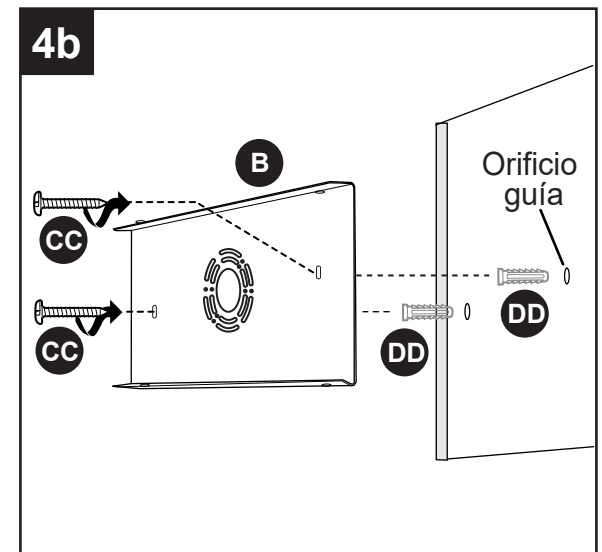
**BB** Tornillo para metal  x 2

- 4b. **Para montar el artículo directamente en la pared,** determine la ubicación aproximada de la lámpara (A). Coloque la placa de montaje (B) contra la pared y marque las ubicaciones de las ranuras en la placa de montaje (B) usando un lápiz o marcador (no incluidos). Deje la placa de montaje (B) a un lado.

Luego, con una broca para taladro de 3,175 mm (1/8 pulg) (no se incluye), taladre orificios guía en las ubicaciones marcadas. Coloque el ancla de expansión de plástico (DD) en cada orificio guía. Golpee suavemente las anclas de expansión de plástico (DD) con un martillo (no se incluye) hasta que queden al ras con respecto a la superficie de la pared.

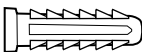
Si es necesario, use un nivel para regular la placa de montaje (B) de manera que esté paralela al piso y al techo. Fije la placa de montaje (B) a la pared con los tornillos para lámpara (CC).

**⚠ PRECAUCIÓN:** para montar a la pared sin una caja de salida, el cableado adecuado de la lámpara debe estar a la vista o se debe poder acceder a él fácilmente. De lo contrario, consulte a un electricista calificado antes de instalar la lámpara.



### Aditamentos utilizados

**CC** Tornillo para lámpara  x 4

**DD** Ancla de expansión de pared  x 4



## INSTRUCCIONES DE ENSAMBLAJE

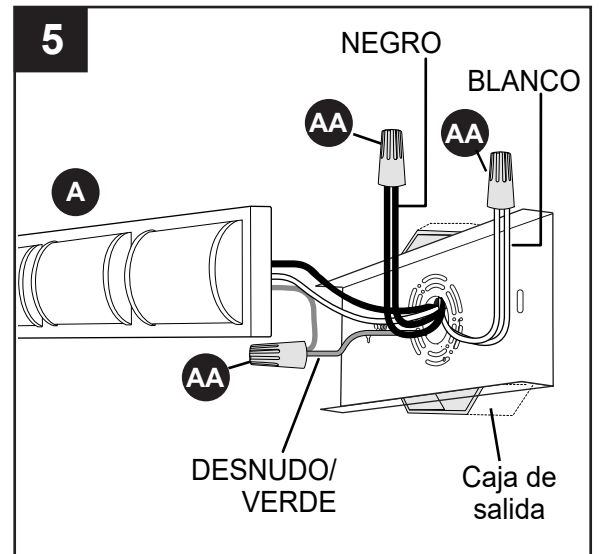
5. Prepare los conductores pelando 1,91 cm del aislamiento de sus extremos con las pinzas pelacables (no incluidas).

Conecte el conductor DESNUDO/VERDE de puesta a tierra de la caja de salida al conductor DESNUDO de puesta a tierra de la lámpara (A) con el conector de cables (AA). Conecte el conductor BLANCO de la lámpara (A) al conductor BLANCO de la caja de salida usando el conector de cables existente o el conector de cables (AA). Conecte el conductor NEGRO de la lámpara (A) al conductor NEGRO de la caja de salida con el conector de cables existente o el conector de cables (AA).

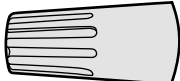
**NOTA:** enrosque los conectores de cables (AA) en dirección de las manecillas del reloj.

**! ADVERTENCIA:** nunca conecte el conductor de tierra DESNUDO/VERDE a los conductores BLANCO o NEGRO del suministro de electricidad.

**! ADVERTENCIA:** para reducir el riesgo de incendios, descargas eléctricas o lesiones personales, los conectores de cables (AA) incluidos con esta lámpara están diseñados para sostener solo un cable interior de calibre 12 y dos cables conductores de la lámpara. Si el cable interior es de un calibre superior a 12 o hay más de un cable interior para conectar los cables conductores de la lámpara correspondientes, pregúntele a un electricista cuál es el tamaño adecuado de los conectores de cables que debe utilizar.



### Aditamentos utilizados

<b>AA</b>	Conector de cables		x 3
-----------	--------------------	---	-----

## INSTRUCCIONES DE ENSAMBLAJE

- Cubra con cinta aislante (no se incluye) cada conector de cables individual (AA) hacia abajo del cable.

**! ADVERTENCIA:** asegúrese de que no haya cables desnudos ni filamentos de cables visibles después de hacer la conexión.

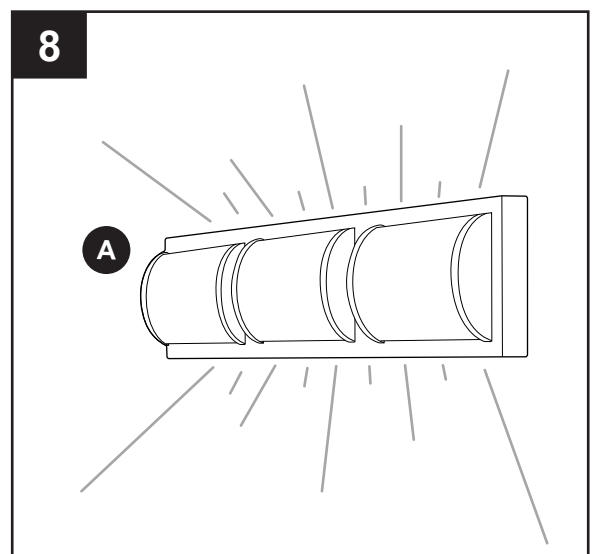
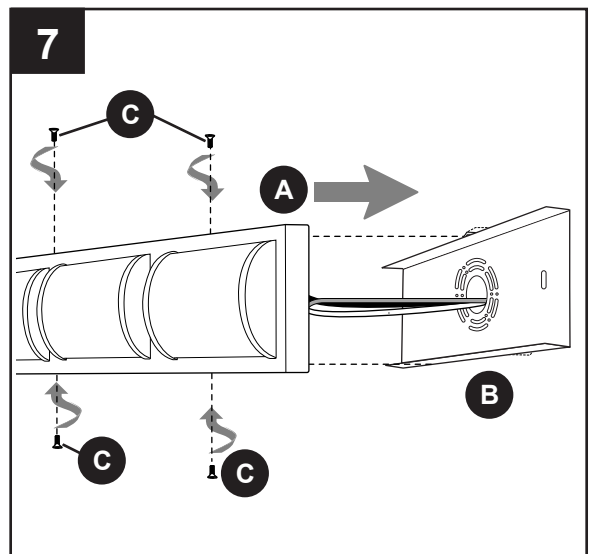
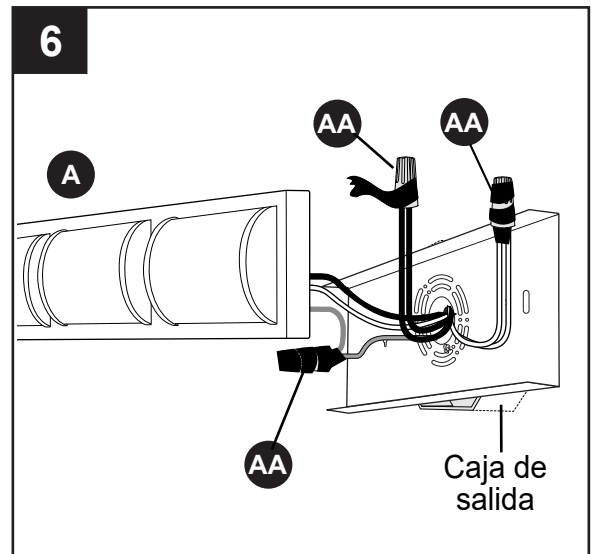
Empuje los conectores de cables (AA) y el exceso de cableado suavemente de vuelta hacia el interior de la caja de salida.

- Fije la lámpara (A) a la placa de montaje (B) usando los tornillos de la placa de montaje (C) que retiró anteriormente (paso 3, página 23).

**NOTA:** antes de apretar completamente los tornillos de la placa de montaje (C), examine la lámpara (A) con un nivel, ajústela si es necesario.

- Restablezca la alimentación y pruebe la lámpara (A).

Si las bombillas no funcionan, consulte SOLUCIÓN DE PROBLEMAS en la página siguiente.



## CUIDADO Y MANTENIMIENTO

---

- Corte el suministro principal de electricidad. Limpie la lámpara con un paño suave y húmedo. Utilice un limpiador de ventanas para limpiar el vidrio. No use un limpiador abrasivo en el vidrio ni en la lámpara.
- El vataje total de esta lámpara es de 24 vatios; no intente reemplazar las bombillas LED.

## SOLUCIÓN DE PROBLEMAS

---

**⚠ ADVERTENCIA:** antes de comenzar cualquier trabajo, corte el suministro de electricidad para evitar descargas eléctricas.

PROBLEMA	CAUSA POSIBLE	ACCIÓN CORRECTIVA
La luz no se enciende inicialmente o ya no se enciende.	<ol style="list-style-type: none"><li>1. No hay alimentación.</li><li>2. La conexión es incorrecta.</li><li>3. El componente LED no funciona correctamente.</li></ol>	<ol style="list-style-type: none"><li>1. Asegúrese de que haya suministro de electricidad.</li><li>2. Revise el cableado y todas las conexiones.</li><li>3. Contacte al Departamento de Servicio al Cliente.</li></ol>
El fusible se quema o el interruptor de circuito se dispara.	<ol style="list-style-type: none"><li>1. Los cables están cruzados.</li><li>2. El conductor de fuerza no tiene puesta a tierra.</li></ol>	<ol style="list-style-type: none"><li>1. Revise el cableado.</li><li>2. Revise todas las conexiones.</li></ol>

## GARANTÍA

---

El distribuidor garantiza que todas sus lámparas están libres de defectos en los materiales y la mano de obra por cinco (5) años a partir de la fecha de compra. Si dentro de este periodo el producto presenta defectos, lleve una copia del recibo de venta como comprobante de la compra y el producto en su caja original al lugar donde lo compró. El distribuidor, a su elección, reparará, reemplazará o devolverá el monto original de la compra al comprador. Todos los costos de instalación y de extracción de la lámpara son de responsabilidad del comprador. Esta garantía no cubre lámparas dañadas debido a mal uso, daño accidental, manipulación y/o instalación inadecuada y excluye toda responsabilidad por daños directos, accidentales o resultantes, empaque inadecuado de productos devueltos y desastres naturales. Debido a que algunos estados no permiten exclusiones o limitaciones en una garantía implícita, las exclusiones y limitaciones anteriores pueden no aplicarse en su caso. Esta garantía le otorga derechos específicos, pero podría tener también otros derechos que varían según el estado.