

### Items you will need:

- Drill/power screwdriver
- Assorted drill bits
- Hammer
- Miter or circular saw with fine-tooth carbide tip blade
- Construction adhesive
- Marked speed square
- Two clamps
- Carpenter's level
- Carpenter's pencil
- Adjustable wrench or socket wrench
- Safety glasses/goggles
- Assorted fasteners (see instructions)
- Tape measure
- Wire cutters

### For each 6' or 8' on-center railing section, you will need:

- 1 - 6' or 8' Decorators top rail from CXT Classic, CXT Pro or ALX Pro
- 1 - Decorators post sleeve kit per post (there will be more posts than railing sections)
- Decorators stainless steel cable rail (sold on spools of 500')
- Cable hardware: 1 pack per cable, which includes (2) eye lag screws, (1) fork jaw and (1) turnbuckle
- Cable spacer (sold in packs of 2): 1 per 6 ft section, 2 per 8 ft section

### Installation instructions:

Prior to construction, check with your local regulatory agency for special code requirements in your area. Common railing heights are 36" and 42". Structural support should come from the continuation of deck support posts that extend up through the deck floor or from railing posts that are bolted to the inside of the rim or outer joists. Never span more than 8' on-center between railing posts. Install railing posts before deck boards are fastened to the joists. Pre-drilling of all railing components is essential to successful installation. Do not over-tighten screws. Read instructions completely to get an understanding of how the product goes together and how each piece affects the other.

We recommend using a new 5/8" chrome-plated socket to protect the fittings from raw steel. Avoid installing with rusty tools, as they leave rust deposits on the surface of the fittings almost immediately. After installation, it is critical to clean the system completely with a stainless cleaner and a soft clean rag in order to clear the surface from carbon deposits.

**Step 1:** Determine the number of railing posts needed for your deck. Post spacing is 6' or 8' on-center. **Corner applications** (fig. 1a): When taking cable railing through a corner, do not bend the cable past 45° at any time. When turning 90°, a 2-step turn using a double corner post configuration is required. Example: A 12'x16' deck attached to a building with a 4' access opening on one side, and one 90° corner, will require a total of nine posts (fig. 1b). Or you can stop your run and start a new one.

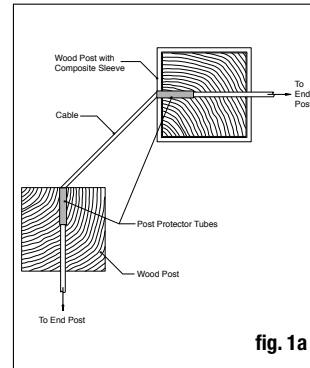


fig. 1a

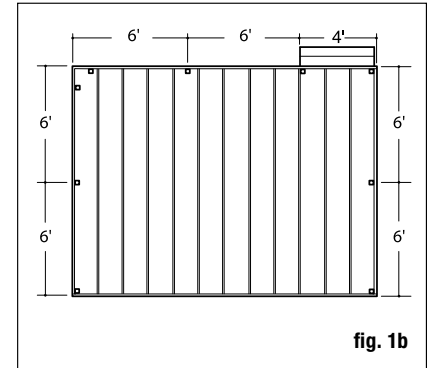


fig. 1b

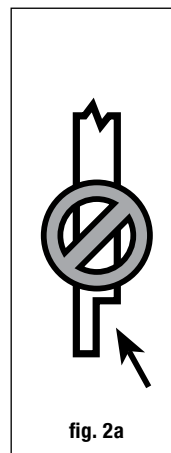


fig. 2a

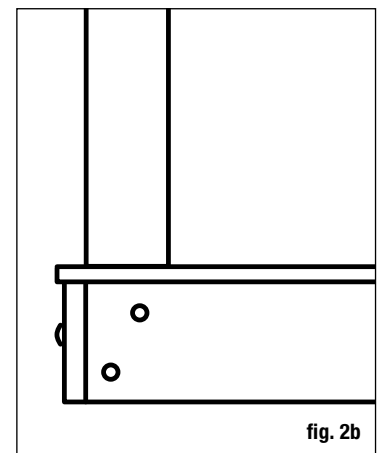


fig. 2b

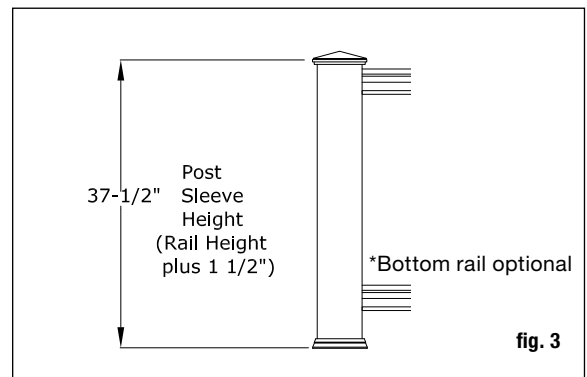


fig. 3

**Step 2:** Install rail posts prior to installing deck boards. Cedar or pressure-treated pine 4x4 railing posts provide the structural strength for the railing. The length of each post is determined by the total of the joist width (7-1/4") + decking thickness (1") + railing height (36" or 42") + spacing for post cap (1-1/4") = 45-1/2" or 51-1/2". **Important:** Do not notch the 4x4 railing posts. Notching will reduce the strength of the post and could result in railing collapse or failure (fig. 2a).

**Step 3:** Position, plumb with a level, and clamp the rail post on the interior face of the joist. Plumb again. The 4x4 railing post should be bolted to the inside of the joists using two 1/2"x6" galvanized carriage bolts. Corner posts use a third carriage bolt inserted through the adjacent joist (fig. 2b).

**Step 4:** Install decking. Notch deck boards to fit around the 4x4 railing posts. Allow 1/4" between the deck boards and any permanent structure or post. Additional blocking may be necessary on the 4x4 railing posts for fastening deck boards.

**Step 5:** Trim 4x4 post sleeves to length if you plan to use a post cap. Post sleeves should be a minimum of 1-1/2" longer than the railing height (fig. 3). Example: For a 36" railing, trim post sleeves to a minimum of 37-1/2", or longer if desired. Slide a trimmed post sleeve over each 4x4 railing post. Use shims as needed to create a snug fit. Slide a post base trim over each post sleeve.

**Step 6:** Find the center of your post sleeve and clamp the cable spacer in place. This will be your template for predrilling holes for cables. Predrill holes using a 3/16" drill bit (fig. 4). *Note: When running a cable through the post, drilling halfway through one side of the post and then remeasuring and drilling through the other side will result in a much easier, cleaner finish. You can also make a template by using a 2x4 and aligning it to your post sleeve.*

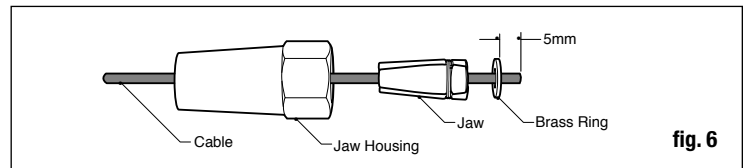
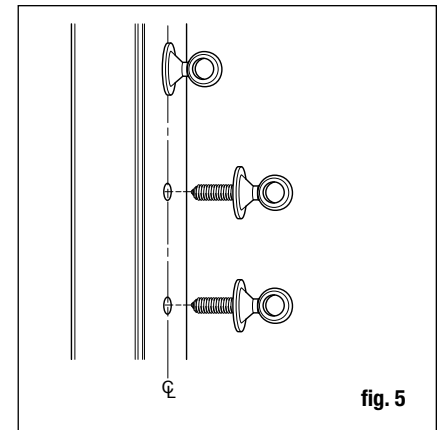
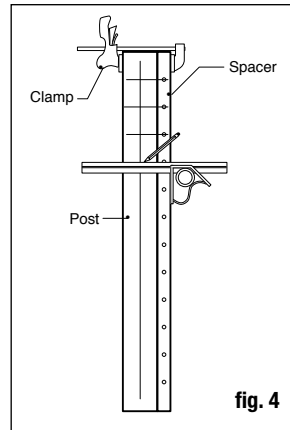
**Step 7:** Refer to specific instructions included in the railing kit to install the top rail to your post. Use the included connectors to assemble the cable spacer(s) to the top rail. Line up the connector with the center of your rail for 6' applications and mark for positioning. Position cable spacer on deck and fasten with included screws. *Note: Use one cable spacer per 6' section and two per 8' section (1 spacer every 2.5 ft for 8').*

**Step 8:** Install eye lag screws into the predrilled post sleeve holes on both ends of rail (fig. 5). *Tip: Use a 5/8" socket and drill to install eye lags into post.*

**Step 9:** Remove the pinch pin from the fork jaw and turnbuckle and install into eye lag screws. *Note: Install all fork jaws on one end of rail and all turnbuckles on other end.*

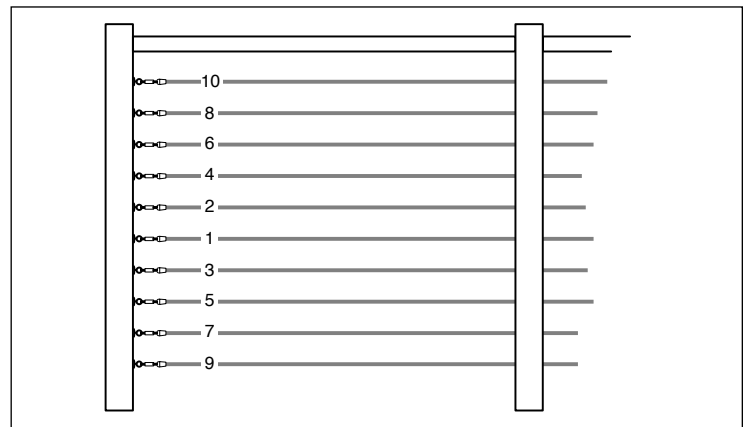
**Step 10:** Open turn buckle all the way before installing cables.

**Step 11:** To install cable, start at the turnbuckle location and feed cable through cable spacers/posts to fork jaw location. To install cable into fork jaw or turnbuckle, slide jaw housing onto one end of the cable. Slide the jaws onto the cable. Place the brass pressure ring onto the cable 5 mm from the end. Slide the jaw housing down over the jaws (fig. 6). Tighten the lock nut firmly to the jaw housing. Run cable through cable spacer(s)/post.



**Step 12:** Repeat step 10 on opposing side of cable to create tension. *NOTE: Install all cable before tightening.*

**Step 13:** To tighten cable, start at the center point and alternate between tightening top and bottom cables by inserting a screwdriver in the turnbuckle and turning to create tension. Use a wrench to hold cable in place so it doesn't turn along with turnbuckle. To finish, tighten nut from each side of turnbuckle. *Tip: Use two wrenches (#10 and #12) to hold nut and jaw assembly to tighten.*



THIS BROCHURE IS FOR ILLUSTRATION PURPOSES ONLY. USE OF THIS PRODUCT MUST BE IN ACCORDANCE WITH ALL LOCAL ZONING AND/OR BUILDING CODES. CONSUMER ASSUMES ALL RISKS AND LIABILITY ASSOCIATED WITH THE USE OF THIS PRODUCT. FOR DETAILS ON SAFE HANDLING, GO TO UFPL.COM/PTINFO. WARRANTOR DOES NOT PROVIDE ANY WARRANTY, EITHER EXPRESS OR IMPLIED, AND SHALL NOT BE LIABLE FOR ANY DAMAGES, INCLUDING CONSEQUENTIAL DAMAGES.