



Pre-Hung Security Door Installation Instructions

TOOLS REQUIRED

- Hacksaw
- Hammer & Chisel
- Electric Drill w/Phillips Bit & 5/16" Hex Bit
- 1/8" Drill Bit
- Phillips Head Screw Driver
- Tape Measure

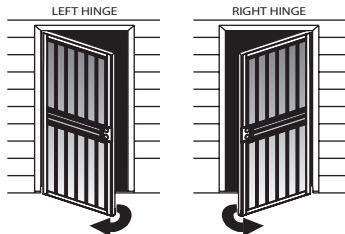
PARTS LIST

- 1 - Closer Kit with Storm Chain & Installation Screw Pack
- 1- Hinge Side Z-bar (81" Solid bar Attached to Door)
- 1- Latch Side Z-bar (83" Bar with Hole Punched for Lock)
- 1- Header
- 1 -Bottom Expander

Follow these step by step instructions for easy installation of your security door. Carefully layout all parts provides. Confirm all parts with the parts list. Follow the instructions as you unpack your door. This will help you to identify each component.

1 Confirm hinge side of the door.

Your door has been pre hung at the factory to simplify installation.

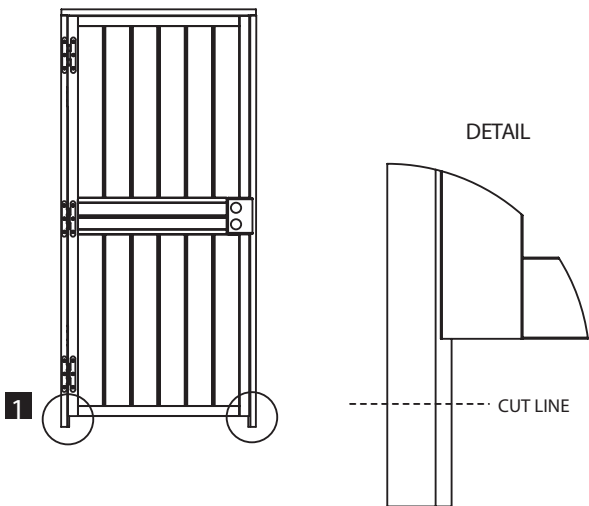


2 Measure.

Carefully measure height of the door opening from the header to the threshold on both sides of the frame.

3 Cut bottom of Z-bars.

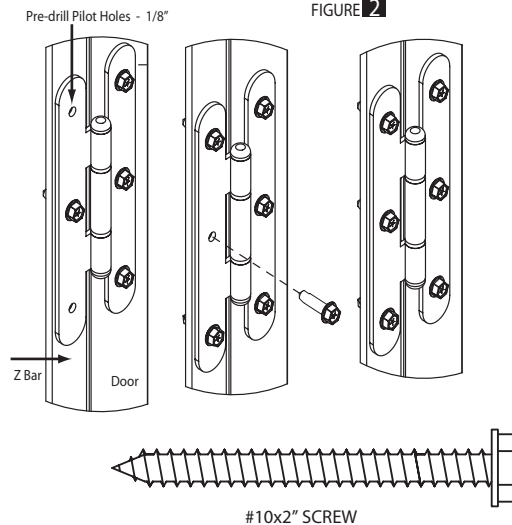
Use a hacksaw to cut the bottom of both Z-bars (attached to door) 3/16" shorter than the door opening. Make sure you cut from the bottom of the z-bars. See Figure 1.



4 Place door in the opening.

Place the door in the opening. Push the door tightly against the hinge side brick mold. Use a wedge between the door and brick mold to keep the door plumb. Check to make sure your door is square in the opening. Shims may be used behind the hinges to adjust. Pre-drill a pilot hole through each open hole in each hinge. Fasten the door through the hinge and Z-bar to the brick mold using the #10 x 2" screws provided. Remove the shipping screws and replace with 2 additional #10 x 2" screws. See Figure 2.

NOTE: Pre-drilling all screw holes with a 1/8" drill bit may help avoid wood splits.



5 Remove Shipping Clips.

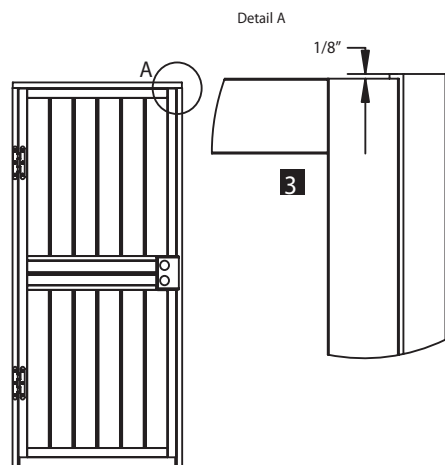
Remove all screws holding the shipping clips in place. This will allow adjustment of the header & latch z-bars.

6 Install Hardware.

Install the hardware set you have chosen per the manufacturer's instructions. Check for interference with your prime door hardware. You may need to reverse the handle and deadbolt positions to prevent interference.

7 Install header.

Position the header and close the door. Use one screw to hold the header in place. Level the header to provide an even reveal of 1/8" across the top of the door. See Figure 3. Install with (3) #8 x 1" Phillips pan-head screws in the pre-drilled holes.



8 Position latch side Z-bar.

Position the latch side Z-bar and mark the wood door jamb through the lock cutout in the Z-bar. This will give you a guide to chisel. Remove the latch side Z-bar.

Use the wood chisel to create a pocket for the latch and deadbolt. Be careful with cuts to prevent removing excess material. You may want to use the deadbolt as a depth guide. The latch side Z-bar needs to cover your cutout.

9 Install latch side Z-bar.

Install the latch side Z-bar with (4) #8 x 1" Phillips pan-head screws in the pre-drilled holes. Allow 1/8" clearance between the Z-bar and the door.



#8X1" PAN HEAD SCREW

10 Optional Vault Pins.

(Vault pins are provided and can be used for additional security. Proceed to next step if not used.)

There are 2 pre-drilled holes on the hinge-side edge of the door (see Figure 4). Drill a 1/8" hole through the Z-bar and approximately 3/4" deep in the jamb.

Screw the Vault Pins provided into these holes.

This leaves approximately 3/8" of the Vault Pin exposed.

The door will close over the Vault Pins for extra security.

Be sure that the holes you drill line up with the center of the pre-drilled holes in the door.

See Figure 5.



Vault Pin

11 Adjust Expander

An Adjustable Expander with Rubber Sweep is provided to give a snug fit at the bottom of the door. Only one sweep is used. Slide it in the track that offers the best contact with your sill. Crimp the track to hold the sweep. From inside the house, adjust the Expander's height so that the rubber seal barely touches the sill evenly across the bottom. Drill 1/8" holes through the Expander into the door and then fasten with #8 x 1" Phillips Head Screws. See Figure 6.

Note: Some installations may require removing and re-setting the bottom glass clips through the expander sweep.



#8X1" PAN HEAD SCREW

12 Closer & Storm Chain Installation

The pneumatic closer MUST be installed at the top of the door. See instructions in kit for bracket installation.

The Storm Chain is to be installed at the top of the door. Instructions are provided with the chain.

