

Installation Instructions

Left Hinge

Please turn poster over for Right Hinge Instructions.

Scan with mobile device to see a video of EasyHang™ installation.
Escanee con el dispositivo móvil para ver un video de la instalación EasyHang™



INSTALLATION QUESTIONS? MISSING PARTS? REPLACEMENT PARTS? DON'T GO BACK TO THE STORE!
VISIT WWW.LARSONDOORS.COM
HOMEOWNER HELPLINE 1-888-483-3768

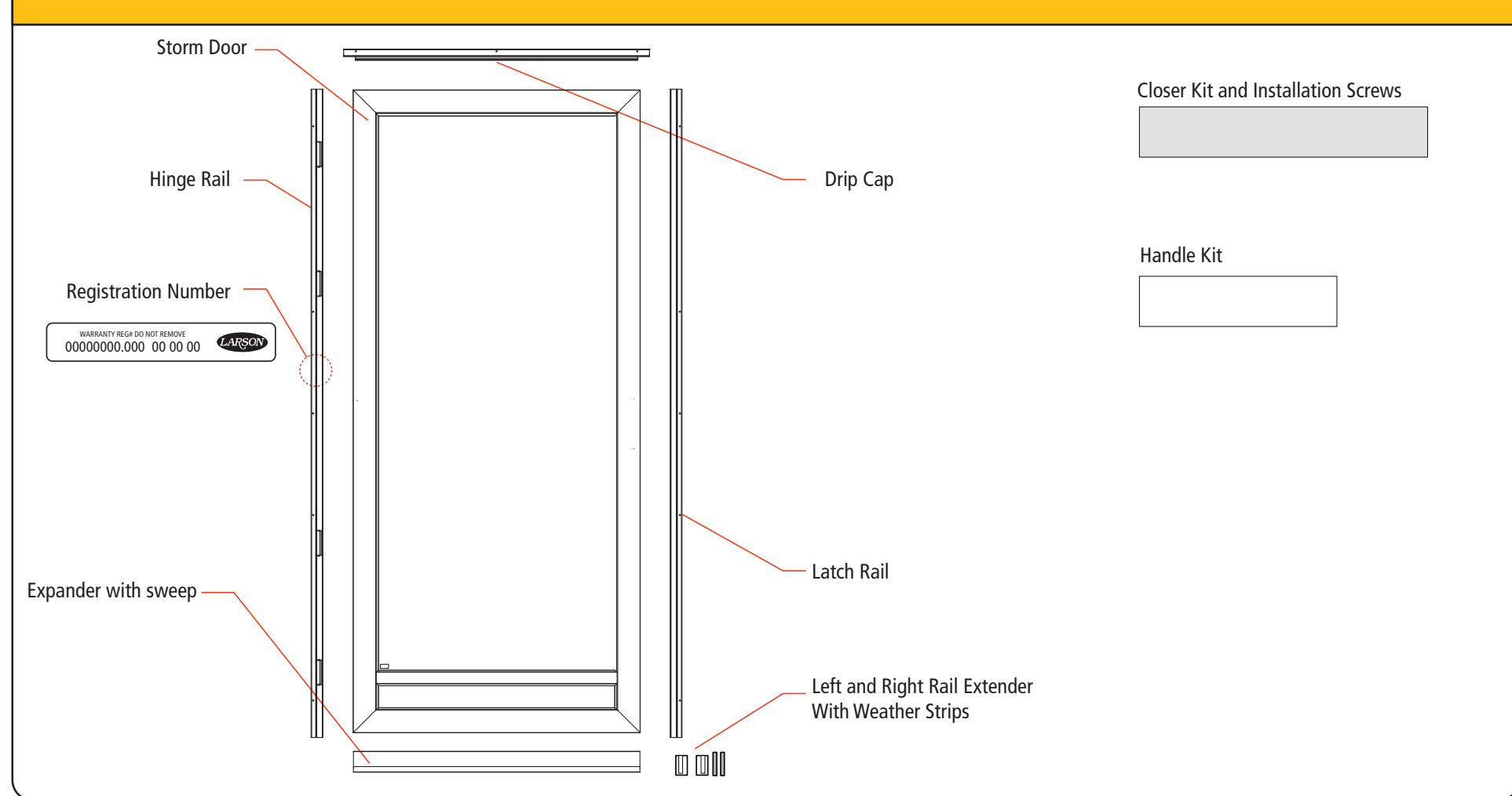
Please have the following information on hand when you call:
1 Warranty Registration number
2 Model of door
3 Size of the door
4 Color



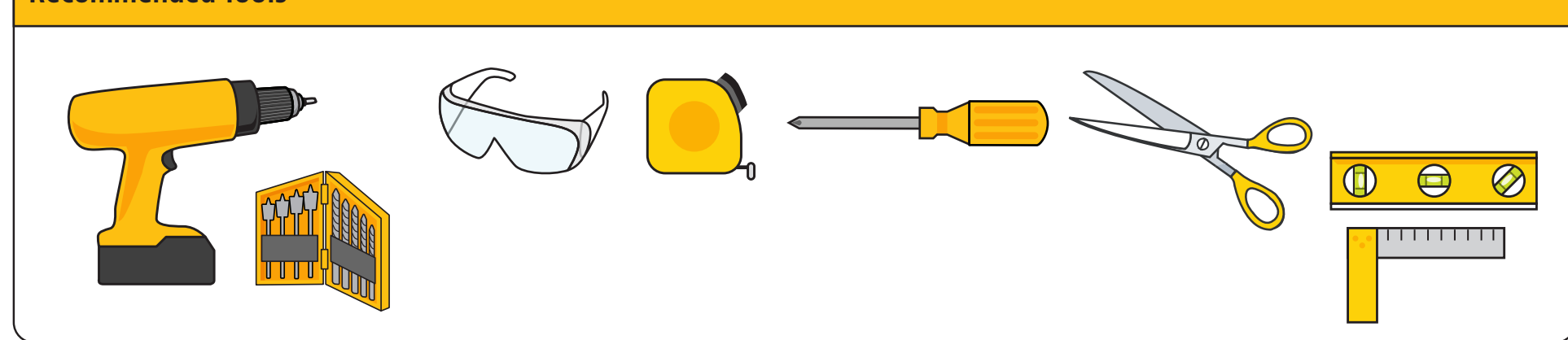
Read the complete installation instructions before proceeding with installation.

- Installation may require two people when lifting and installing the door
 - Use appropriate protective equipment
 - Children should not be allowed to play with the door
 - Failure to install door properly could result in an injury
- NOTE: Larson Manufacturing Company is not responsible for accidents and injury resulting from the use or installation of this product.

Parts List



Recommended Tools



1 Prep Steps

1a Confirm the hinge side of the storm door. Turn this poster over for right hinge installation. Your LARSON Reversa-Hinge storm door is designed for either right or left hinge installation. Oversize custom doors may not be reversible.

1b 1-in wide x 1-in deep mounting surface is required. Hinge-side shimming may be required to fit existing opening. Use an appropriate shim thickness to reduce the opening to size noted. Shims are not included – household shim materials may include paint stir sticks or wooden yardsticks.

Nominal Door Sizes	Opening Width (no shim required)	Opening Width (shim required)	Shim to this Opening Width	Min. – Max. Height
30-in x 81-in	29 7/8-in – 30-in	30 1/16-in – 30 3/8-in	29 7/8-in – 30-in	80-in to 81-in
32-in x 81-in	31 7/8-in – 32-in	32 1/16-in – 32 3/8-in	31 7/8-in – 32-in	
34-in x 81-in	33 7/8-in – 34-in	34 1/16-in – 34 3/8-in	33 7/8-in – 34-in	
36-in x 81-in	35 7/8-in – 36-in	36 1/16-in – 36 3/8-in	35 7/8-in – 36-in	

1c Verify house door trim is securely attached and square.

1d Check for existing door hardware interference. A minimum depth of 2-3/4-in is required from the storm door mounting surface to the entry door handle.

If storm door hardware interferes with your primary door hardware, you may shift the storm door handle up or down, or install storm door with hinge on opposite side.

2 Set Placeholder Screw For Hinge Rail

2a Place the hinge rail tight against the left side of door frame and slide to top.

2b Use FIRST hole from top only. Mark hole with pencil, remove hinge rail, pre-drill and attach placeholder screw as shown. **Do not tighten all of the way.**

2c Leave 1/8-in of screw exposed.

3 Attach Hinge Rail to Storm Door

3a Place interior side face up.

3b Locate factory installed hinge locator hole near top end of door, and place hinge rail as shown. Attach #10 x 1/2-in screw into pilot hole.

Note: The hinge rail will overlap the top of the door by 1/8-in.

3c Drill remaining pilot holes.

3d Attach remaining screws starting from the bottom.

4 Attach Storm Door to Door Frame

4a Slide rail extender (marked with "L") into the bottom of the hinge rail.

4b Hang storm door onto door frame using the placeholder screw. *The door will settle approx. 1/16-in down.* Tighten screw while pushing top of hinge rail tight against the door frame.

4c Pre-drill hole and install screw on the bottom outer side of hinge rail to secure door in opening. Do not overtighten.

4d Slide rail extender to sill. Loosen hinge rail screw as needed, and retighten screw after lowering extender.

4e Pre-drill holes and place screws on the inner side of hinge rail in all 8 locations. **Do not over tighten screws.**

4f Push door tight against door frame, then pre-drill holes and install screws on the outer side of hinge rail starting with the top screw. **Do not over tighten screws.**

4g Cut extender weather stripping to length, peel adhesive backing and install.

5 Install the Drip Cap

5a Place the drip cap on the door frame above the storm door.

5b Close door to verify consistent clearance. Align drip cap to end of hinge rail.

5c Pre-drill holes and install screws.

5d Caulk if desired.

6 Install Latch Rail

6a Slide rail extender (marked with "R") into the bottom of latch rail.

6b Place latch rail tight against the drip cap.

6c Slide rail extender to sill.

6d Align outside edge of latch rail with outside edge of drip cap. Verify that the door closes freely without hitting the latch rail.

6e Pre-drill holes and fasten the latch rail with screws.

6f Cut extender weather stripping to length, peel adhesive backing and install.

7 Finishing Touches

7a Latch Hardware
Follow the instructions in the storm door handle kit.

7b Expander
Slide expander onto door.

7c Expander
Adjust the expander until the sweep lightly contacts the threshold.

7d Expander
Drill two 3/32-in pilot holes. **Do not drill through to the front of the storm door.** Secure expander.

7e Closer
Follow the instructions in the closer kit.

8 Glass / Screen Insert

8a Glass/Screen Insert Removal
Retract all four screen latches and remove the inserts.

8b Glass/Screen Insert Installation
Install glass insert with weatherstripping facing away from you. Install screen insert. Extend all four screen latches. (Screen may be installed without glass panel.)

Installation Instructions

Right Hinge

Please turn poster over for Left Hinge Instructions.

Scan with mobile device to see a video of EasyHang™ installation.
Escanee con el dispositivo móvil para ver un video de la instalación EasyHang™



INSTALLATION QUESTIONS? MISSING PARTS? REPLACEMENT PARTS? DON'T GO BACK TO THE STORE!
VISIT WWW.LARSONDOORS.COM
HOMEOWNER HELPLINE 1-888-483-3768

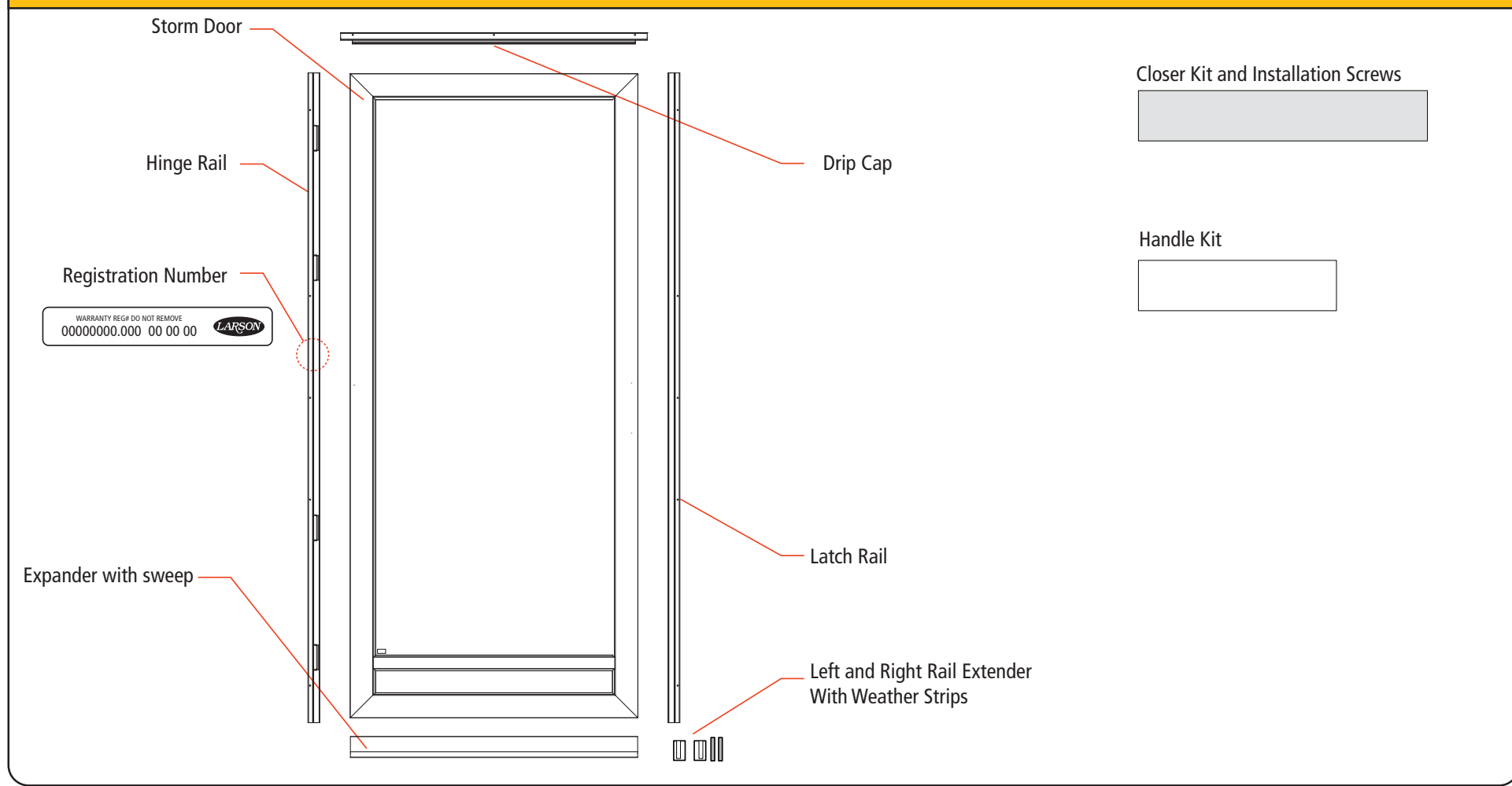
Please have the following information on hand when you call:
1 Warranty Registration number
2 Model of door
3 Size of the door
4 Color



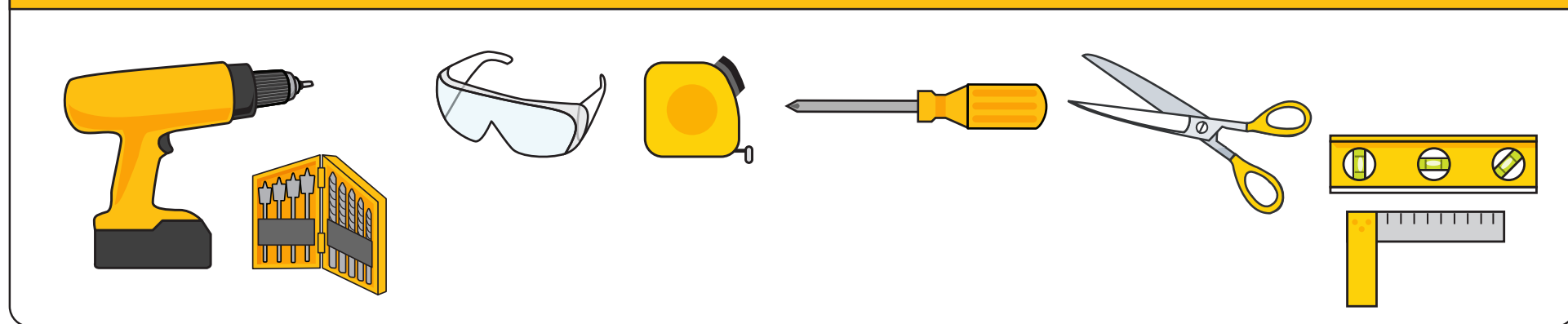
Read the complete installation instructions before proceeding with installation.

- Installation may require two people when lifting and installing the door
 - Use appropriate protective equipment
 - Children should not be allowed to play with the door
 - Failure to install door properly could result in an injury
- NOTE: Larson Manufacturing Company is not responsible for accidents and injury resulting from the use or installation of this product.

Parts List

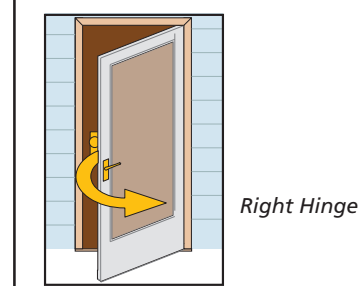


Recommended Tools

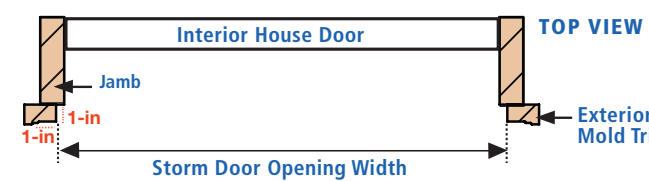


1 Prep Steps

1a Confirm the hinge side of the storm door. Turn this poster over for left hinge installation. Your LARSON Reversa-Hinge storm door is designed for either right or left hinge installation. Oversize custom doors may not be reversible.

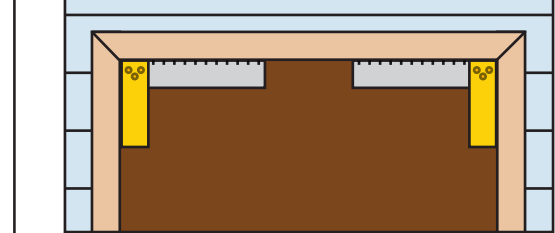


1b 1-in wide x 1-in deep mounting surface is required. Hinge-side shimming may be required to fit existing opening. Use an appropriate shim thickness to reduce the opening to size noted. Shims are not included – household shim materials may include paint stir sticks or wooden yardsticks.



Nominal Door Sizes	Opening Width (no shim required)	Opening Width (shim required)	Shim to this Opening Width	Min. – Max. Height
30-in x 81-in	29 7/8-in – 30-in	30 1/16-in – 30 3/8-in	29 7/8-in – 30-in	80-in to 81-in
32-in x 81-in	31 7/8-in – 32-in	32 1/16-in – 32 3/8-in	31 7/8-in – 32-in	
34-in x 81-in	33 7/8-in – 34-in	34 1/16-in – 34 3/8-in	33 7/8-in – 34-in	
36-in x 81-in	35 7/8-in – 36-in	36 1/16-in – 36 3/8-in	35 7/8-in – 36-in	

1c Verify house door trim is securely attached and square.

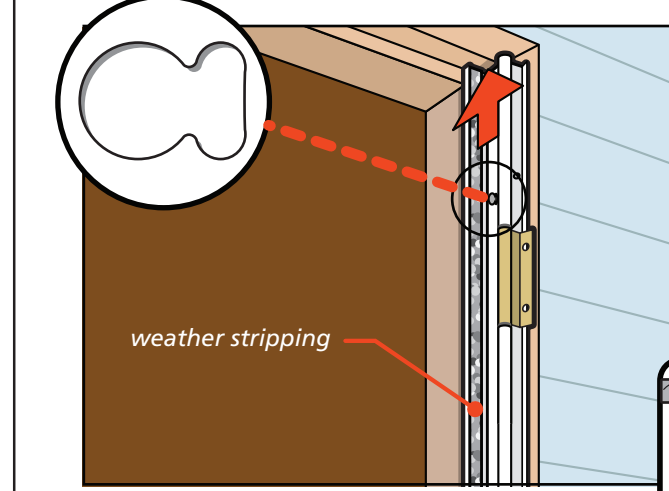


1d Check for existing door hardware interference. A minimum depth of 2-3/4-in is required from the storm door mounting surface to the entry door handle.

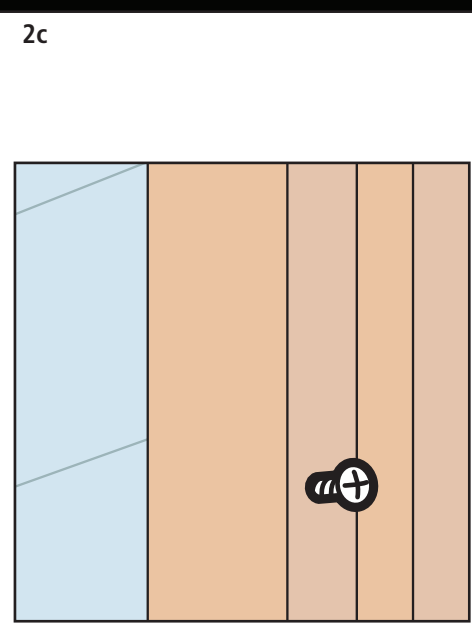
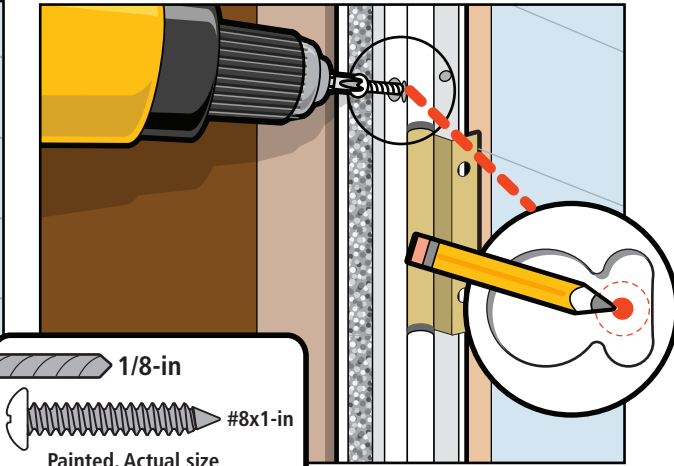
If storm door hardware interferes with your primary door hardware, you may shift the storm door handle up or down, or install storm door with hinge on opposite side.

2 Set Placeholder Screw For Hinge Rail

2a Place the hinge rail tight against the right side of door frame and slide to top.

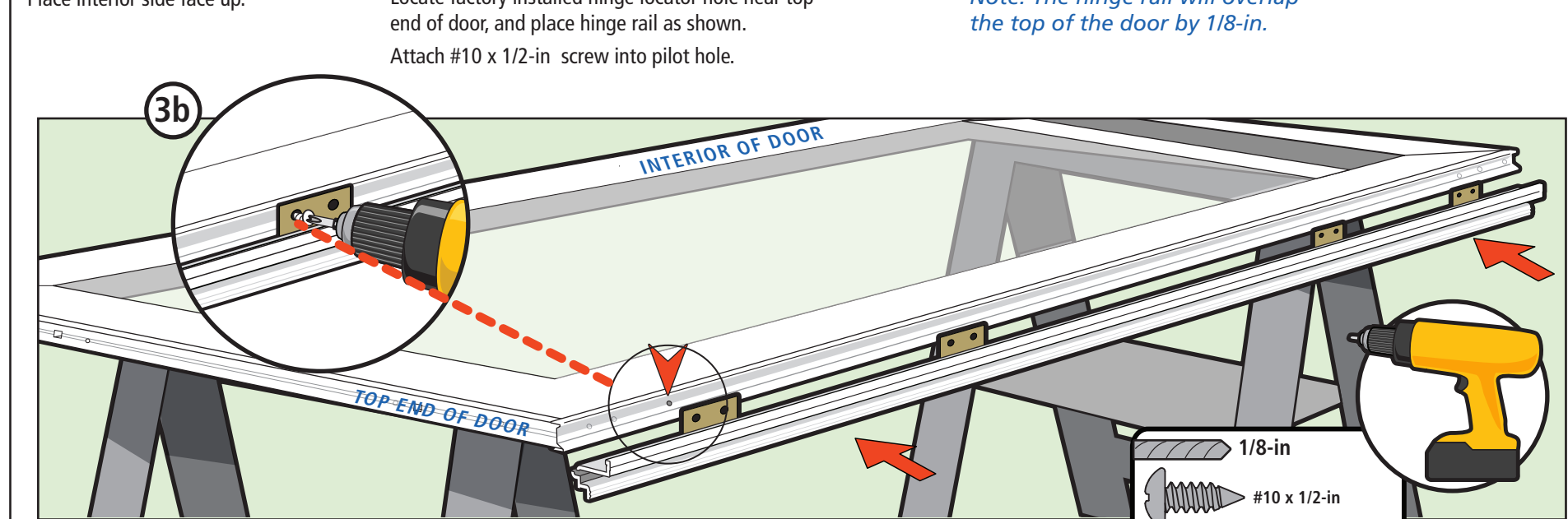


2b Use FIRST hole from top only. Mark hole with pencil, remove hinge rail, pre-drill and attach placeholder screw as shown. Do not tighten all of the way.



3 Attach Hinge Rail to Storm Door

3a Place interior side face up.

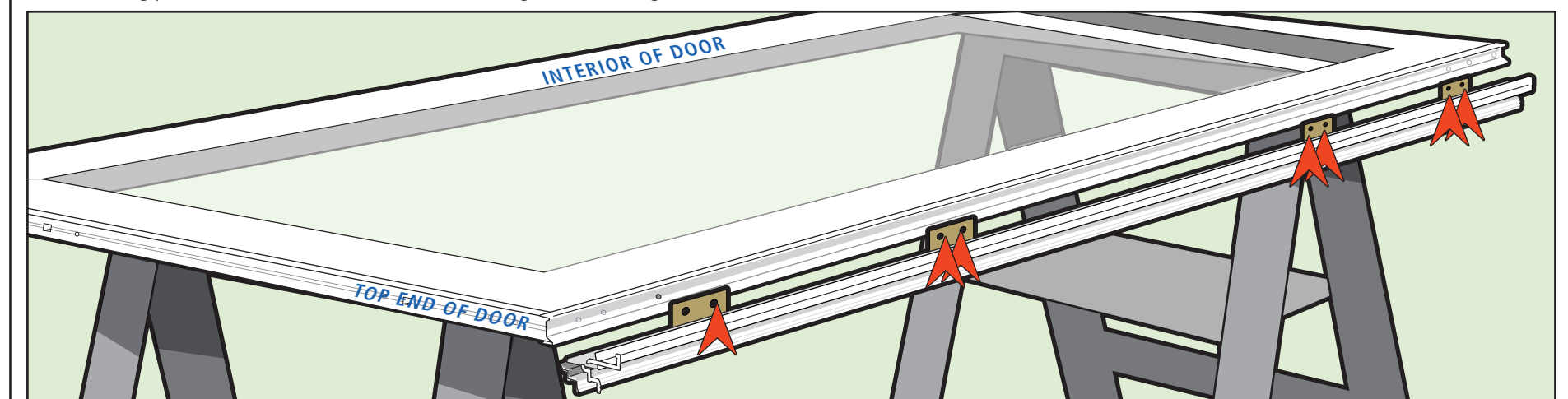


3b Locate factory installed hinge locator hole near top end of door, and place hinge rail as shown. Attach #10 x 1/2-in screw into pilot hole.

Note: The hinge rail will overlap the top of the door by 1/8-in.

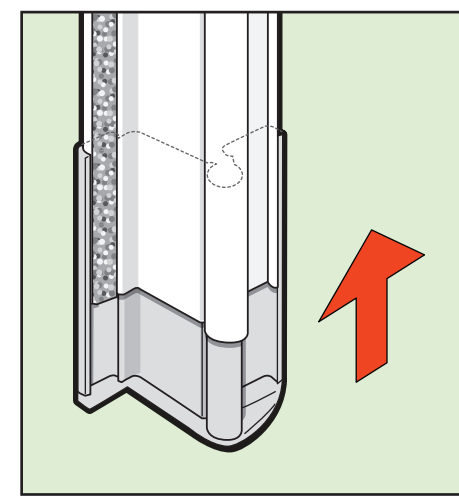
3c Drill remaining pilot holes.

3d Attach remaining screws starting from the bottom.

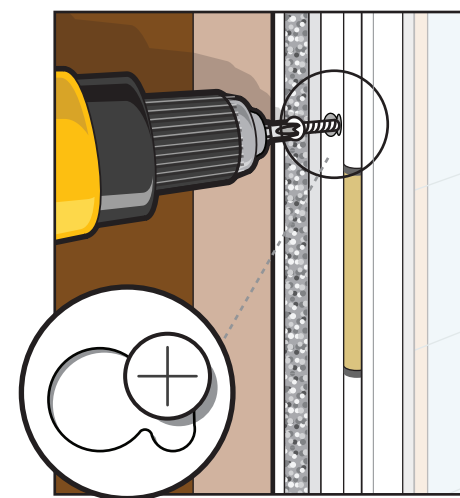


4 Attach Storm Door to Door Frame

4a Slide rail extender (marked with "R") into the bottom of the hinge rail.



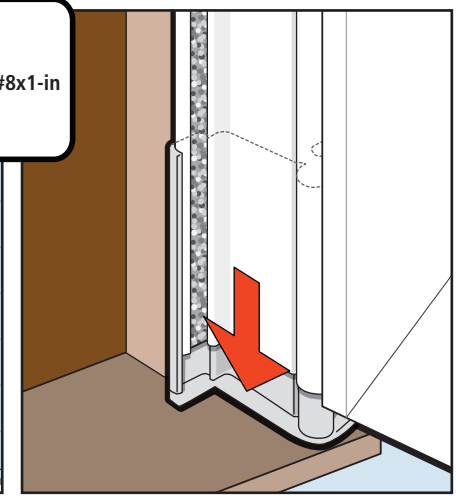
4b Hang storm door onto door frame using the placeholder screw. The door will settle approx. 1/16-in down. Tighten screw while pushing top of hinge rail tight against the door frame.



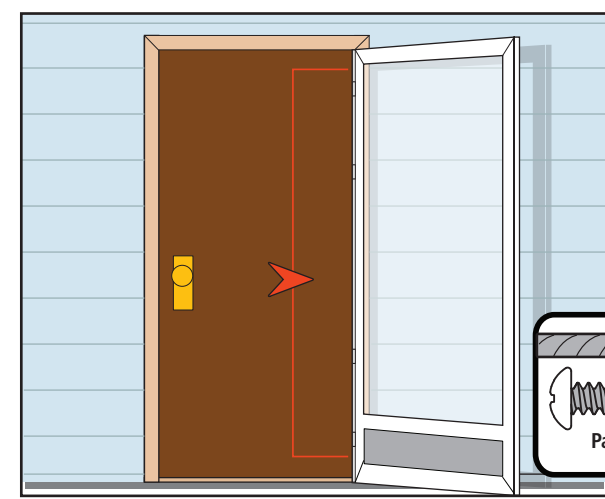
4c Pre-drill hole and install screw on the bottom outer side of hinge rail to secure door in opening. Do not overtighten.



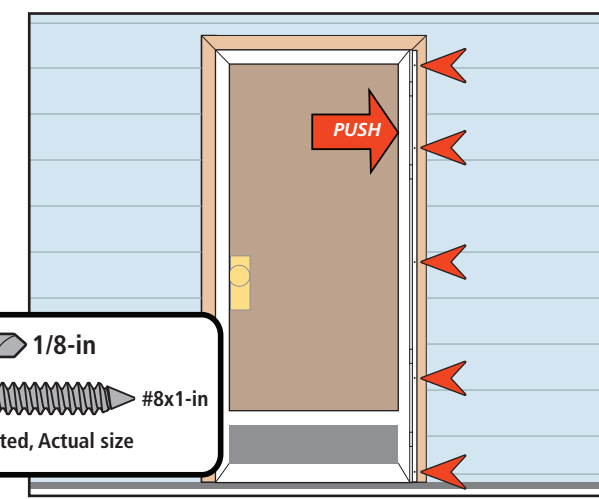
4d Slide rail extender to sill. Loosen hinge rail screw as needed, and retighten screw after lowering extender.



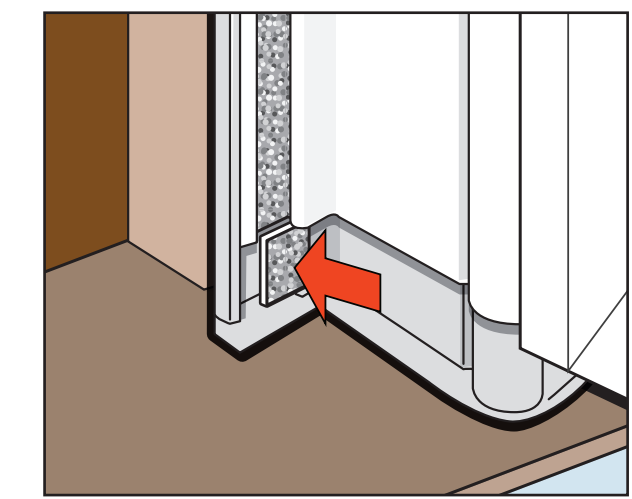
4e Pre-drill holes and place screws on the inner side of hinge rail in all 8 locations. Do not over tighten screws.



4f Push door tight against door frame, then pre-drill holes and install screws on the outer side of hinge rail starting with the top screw. Do not over tighten screws.

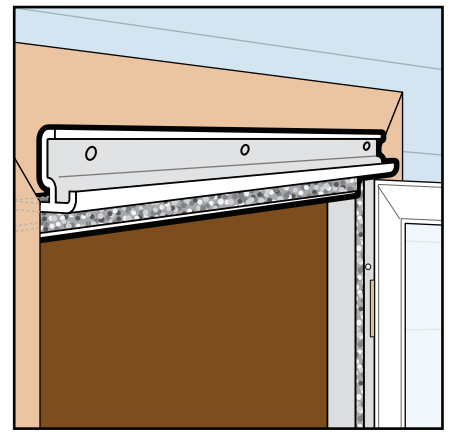


4g Cut extender weather stripping to length, peel adhesive backing and install.

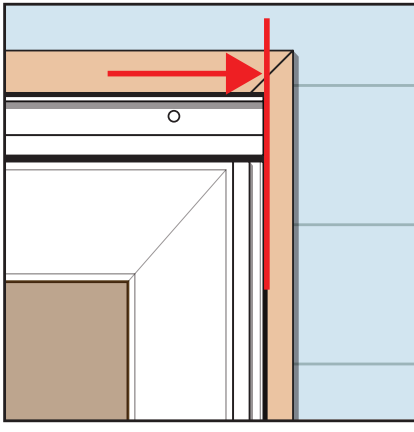


5 Install the Drip Cap

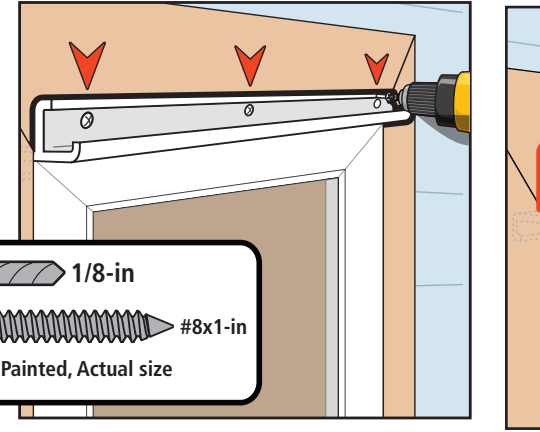
5a Place the drip cap on the door frame above the storm door.



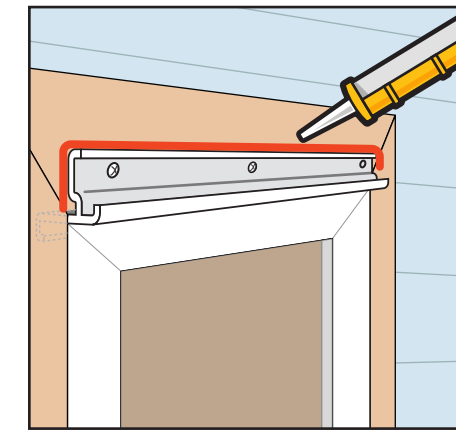
5b Close door to verify consistent clearance. Align drip cap to end of hinge rail.



5c Pre-drill holes and install screws.

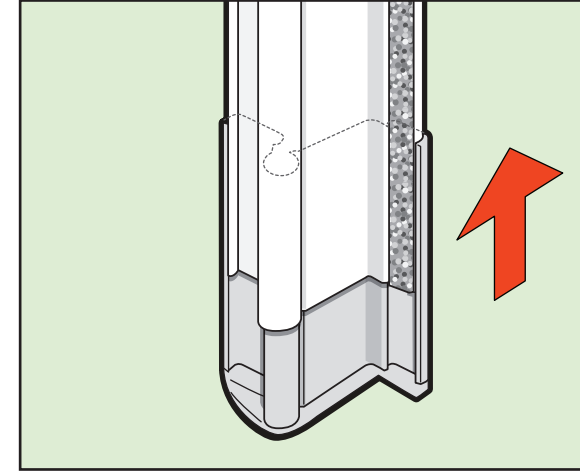


5d Caulk if desired.

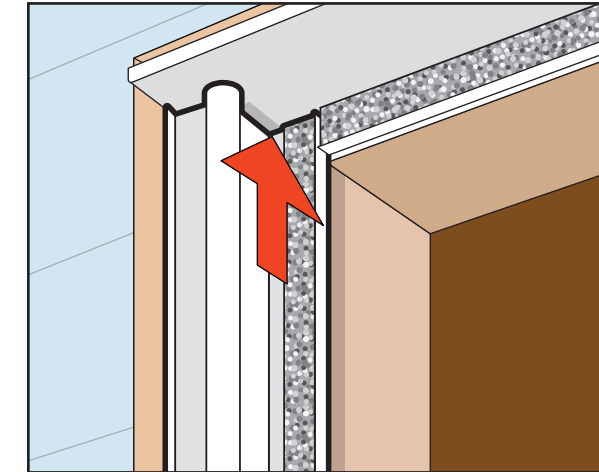


6 Install Latch Rail

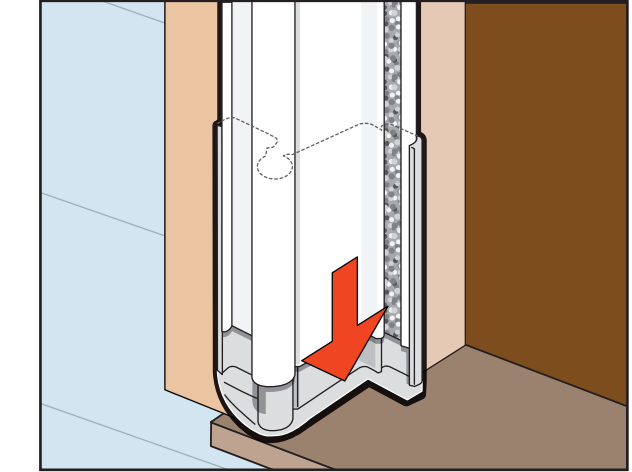
6a Slide rail extender (marked with "L") into the bottom of latch rail.



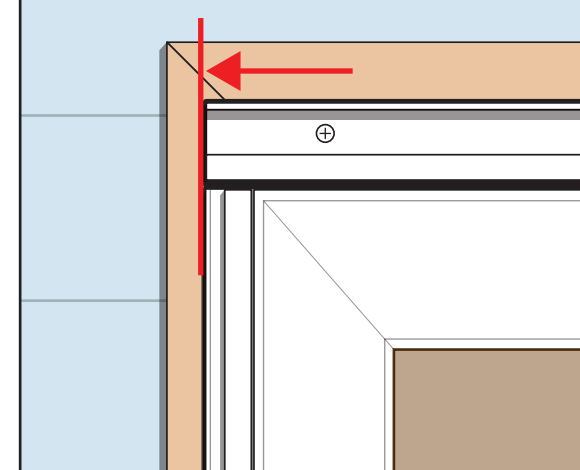
6b Place latch rail tight against the drip cap.



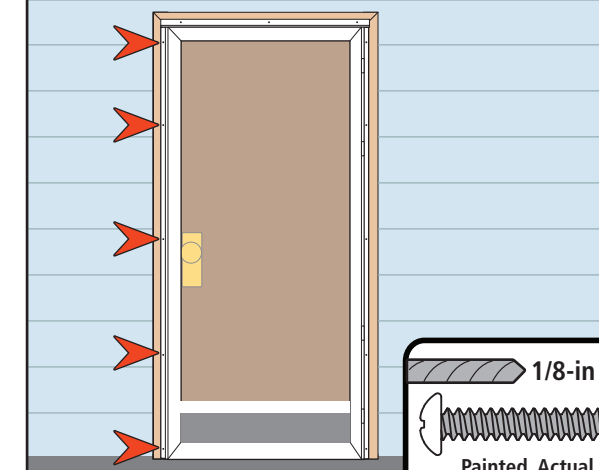
6c Slide rail extender to sill.



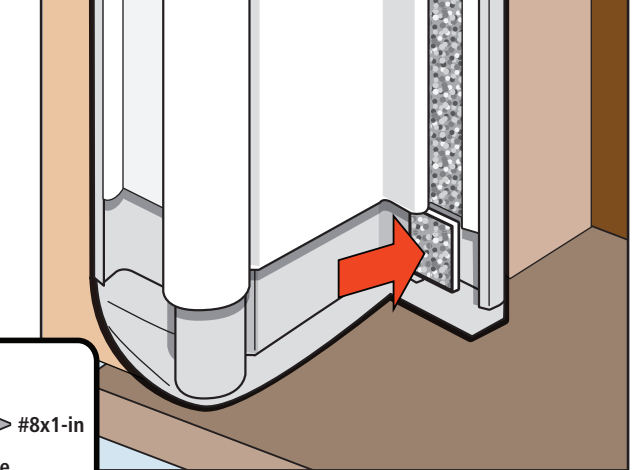
6d Align outside edge of latch rail with outside edge of drip cap. Verify that the door closes freely without hitting the latch rail.



6e Pre-drill holes and fasten the latch rail with screws.

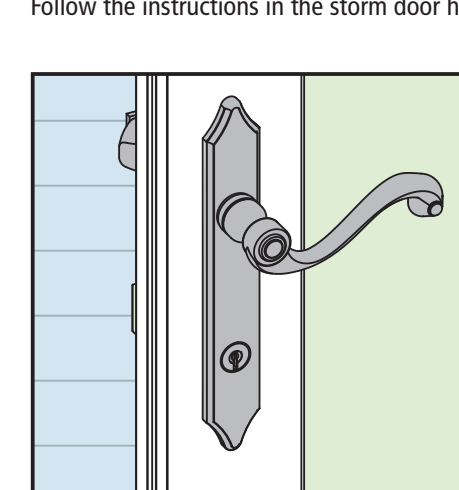


6f Cut extender weather stripping to length, peel adhesive backing and install.

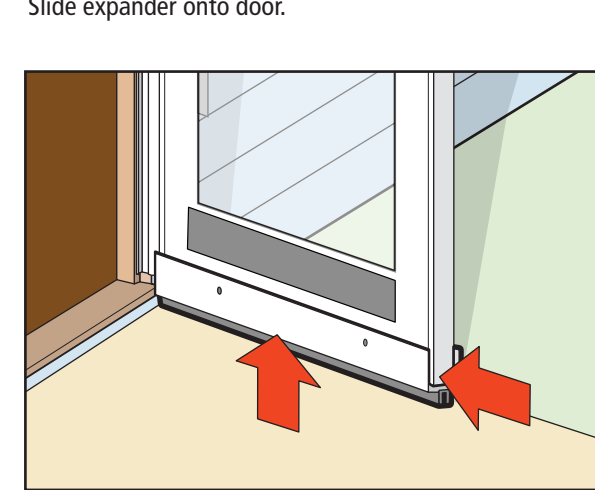


7 Finishing Touches

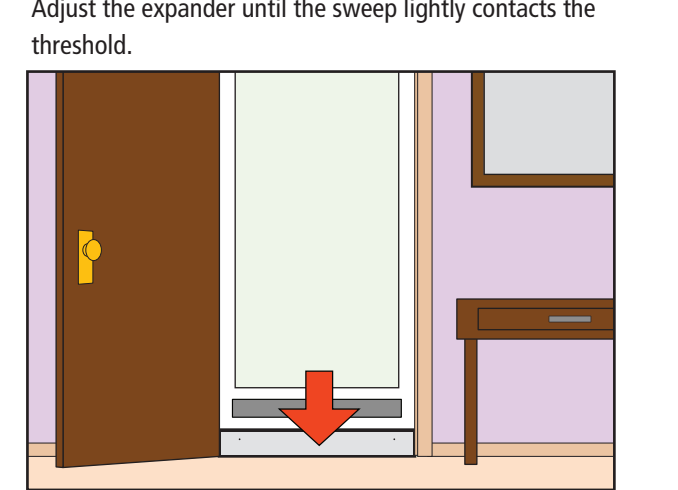
7a Latch Hardware
Follow the instructions in the storm door handle kit.



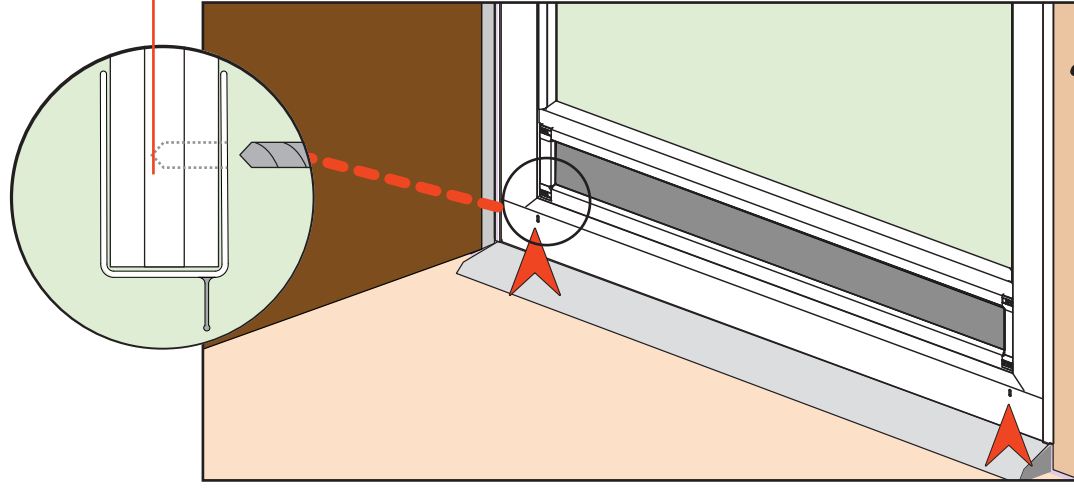
7b Expander
Slide expander onto door.



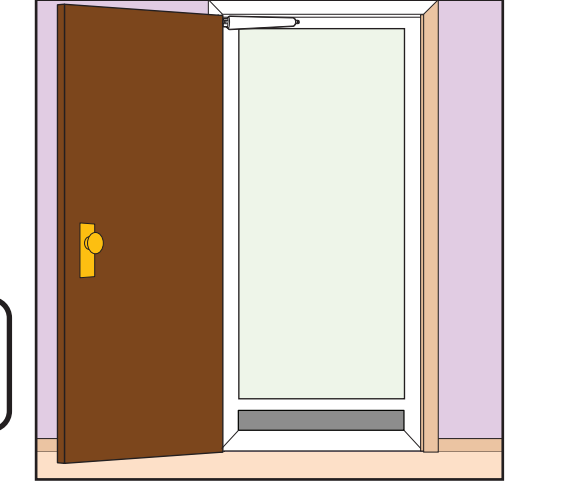
7c Expander
Adjust the expander until the sweep lightly contacts the threshold.



7d Expander
Drill two 3/32-in pilot holes. Do not drill through to the front of the storm door. Secure expander.

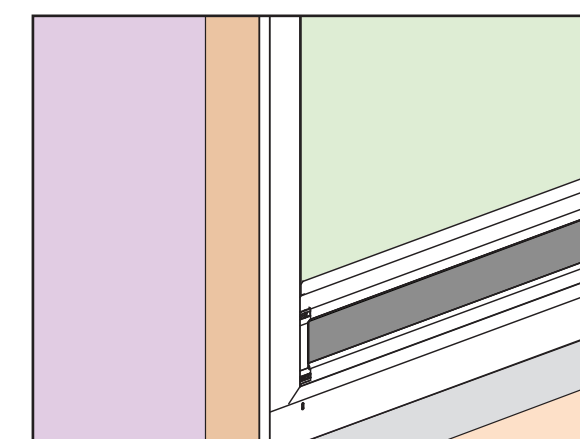


7e Closer
Follow the instructions in the closer kit.



8 Glass / Screen Insert

8a Glass/Screen Insert Removal
Retract all four screen latches and remove the inserts.



8b Glass/Screen Insert Installation
Install glass insert with weatherstripping facing away from you. Install screen insert. Extend all four screen latches. (Screen may be installed without glass panel.)

