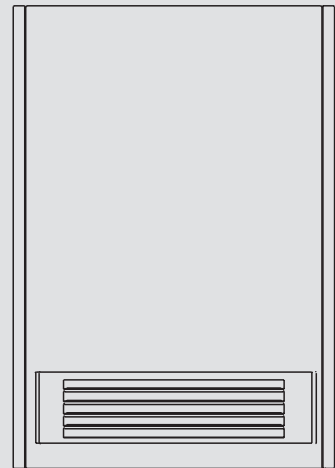


# OPERATION AND INSTALLATION UTILISATION ET INSTALLATION OPERACIÓN E INSTALACIÓN

Fan heater | Calentador con ventilador | Convecteurs soufflants

- » CK 15 E
- » CK 20 E
- » CKT 15 E
- » CKT 20 E



Conforms to ANSI/UL Std. 2021  
Certified to CAN/CSA Std. 22.2 No. 46  
Conforme a ANSI/UL Std. 2021  
Certificación con CAN/CSA Std. 22.2 No. 46  
Conforme à la norme ANSI/UL Std. 2021  
Certifié à la norme CAN/CSA Std. 22.2 No. 46

## **STIEBEL ELTRON, Inc.**

17 West Street | West Hatfield, MA 01088

Tel. 413-247-3380 | Fax 413-247-3369

Email [info@stiebel-eltron-usa.com](mailto:info@stiebel-eltron-usa.com)

[www.stiebel-eltron-usa.com](http://www.stiebel-eltron-usa.com)

**STIEBEL ELTRON**

### OPERATION

<b>1. Important Instructions</b>	<b>2</b>
1.1 Document information	2
1.2 Safety information	2
1.3 Other symbols in this document	3
<b>2. Safety</b>	<b>3</b>
2.1 Intended use	3
2.2 Safety information	3
2.3 Licences / certificates	4
2.4 Test symbols	4
<b>3. Register your product</b>	<b>4</b>
<b>4. Appliance description</b>	<b>4</b>
4.1 Control with external room temp. controller	4
<b>5. Operation CK 15 E / CK 20 E</b>	<b>4</b>
5.1 Starting heating	4
5.2 Stopping heating / frost protection	4
<b>6. Operation CKT 15 E / CKT 20 E</b>	<b>4</b>
6.1 Starting heating	5
6.2 Adjusting the time switch	5
6.3 Stopping heating / frost protection	5
<b>7. Cleaning, care and maintenance</b>	<b>5</b>
<b>8. Storage</b>	<b>5</b>
<b>9. Troubleshooting</b>	<b>5</b>

### INSTALLATION

<b>10. Safety</b>	<b>5</b>
10.1 General safety information	5
10.2 Instructions, standards and regulations	5
<b>11. Appliance description</b>	<b>5</b>
11.1 Standard delivery	5
<b>12. Installation</b>	<b>5</b>
<b>13. Electrical connection</b>	<b>6</b>
13.1 Removing the front cover	6
13.2 Routing wire to the terminal block	6
13.3 Terminal block	6
<b>14. Appliance handover</b>	<b>6</b>
<b>15. Specification</b>	<b>7</b>
15.1 Dimensions	7
15.2 Minimum clearances to hard surfaces	7
15.3 Specification table	8
15.4 Wiring diagram CK 15 E	8
15.5 Wiring diagram CKT 15 E	9
15.6 Wiring diagram CK 20 E	9
15.7 Wiring diagram CKT 20 E	10
<b>16. Warranty</b>	<b>11</b>

## OPERATION

### 1. Important Instructions

#### SAVE THESE INSTRUCTIONS

When using electrical appliances, basic precautions should always be followed to reduce the risk of fire, electric shock, and injury to persons, including the following:

1. Read all instructions before installing or using this heater.
2. This heater is hot when in use. To avoid burns, do not let bare skin touch hot surfaces. Keep combustible materials, such as furniture, pillows, bedding, papers, clothes, etc. and curtains at least 3 feet (1 m) from the front of the heater and keep them at least 3 feet (1 m) away from the sides and rear.
3. Extreme caution is necessary when any heater is used by or near children or invalids and whenever the heater is left operating and unattended.
4. Do not operate any heater after it malfunctions. Disconnect power at service panel and have heater inspected by a reputable electrician before reusing.

#### 1.1 Document information

The chapter **Operation** is intended for users and heating contractors.

The chapter **Installation** is intended for heating contractors.



#### Note

Read these instructions carefully before using the appliance and familiarize yourself with its functions. Keep these instructions safe. Pass on the instructions to a new user if required.

#### 1.2 Safety information

##### 1.2.1 Structure of safety information



#### KEYWORD Type of risk





Here, possible consequences are listed that may result from not observing the safety information.

► Steps to prevent the risk are listed.

# OPERATION

## SAFETY

### 1.2.2 Symbols, type of risk

Symbol	Type of risk
	Injury
	Electrocution
	Burns or scalding
	Fire

### 1.2.3 Keywords

KEYWORD	Description
DANGER	If this information is not observed, it will result in serious injury or death.
WARNING	If this information is not observed, it can result in serious injury or death.
CAUTION	If this information is not observed, it can lead to medium or minor injury.




### 1.3 Other symbols in this document



#### Note

Notes are bordered by horizontal lines above and below the text. General information is identified by the symbol shown on the left.

► Read these notes carefully.

Symbol	Description
	Damage to the appliance and environment
	Appliance disposal
	Never cover the appliance

► This symbol indicates that you have to do something. The action you need to take is described step by step.

## 2. Safety

Observe the following safety information and regulations.

Operate the appliance only when fully installed and with all safety equipment fitted.

### 2.1 Intended use

This appliance is designed to heat living areas.

Any other use beyond that described shall be deemed inappropriate. Observation of these instructions is also part of the correct use of this appliance. Any modifications or conversions to the appliance void all warranty rights.

### 2.2 Safety information

Operate the appliance only when fully installed and with all safety equipment fitted.

The heater must be properly installed before it is used.



#### DANGER Electrocution

- Before cleaning, make sure the power has been turned off at the circuit breaker panel and that the heating element of the heater is cool.



#### DANGER Fire

Never operate this appliance ...

- if the minimum clearances to adjacent object surfaces are not maintained, for example to furniture, net curtains, curtains, textiles or other flammable materials (for minimum clearances, see "specification/dimensions and minimum clearances").
- in rooms where the appliance is at risk from fire or explosion as a result of chemicals, dust, gases or vapors.
- in the direct proximity of pipes or containers that carry or contain flammable or explosive materials.
- if work such as laying cables, grinding or sealing is carried out in the installation room.
- if sprays, floor polish or similar products containing gasoline are used. Vent the room sufficiently before heating.
- if an appliance component is damaged, the appliance has fallen over or already had a fault.
- outdoors.



#### DANGER Fire

Never place any flammable, combustible or insulating objects or materials, such as laundry, blankets, magazines, containers with floor polish or gasoline, spray cans or similar on the appliance or in direct proximity to it.



#### WARNING Fire

Ensure that no foreign bodies enter the ventilation air and extract air apertures. This could result in electric shock or fire or in damage to the appliance.



#### WARNING Fire

To prevent fires ensure that the air inlets and outlets are never blocked. Never position the appliance on soft surfaces, such as a bed, as this could result in the apertures becoming blocked.



#### DANGER Overheating

The appliance could continue to heat the room unchecked if it is operated on a time switch. Ensure constant supervision if the appliance is used in a small room and the persons within that room cannot leave the room on their own.



#### WARNING Injury

Where children or persons with limited physical, sensory or mental capabilities are to be allowed to control this appliance, ensure that this will only happen under supervision or after appropriate instructions by a person responsible for their safety. Children should be supervised to ensure that they never play with the appliance.

# OPERATION

## REGISTER YOUR PRODUCT



### CAUTION Burns

The casing surfaces of the appliance and the expelled air become hot during use (above 90 °C (194 °F)). To prevent burns ensure that the hot surfaces never come into contact with bare skin.



### Damage to the appliance and the environment

- Never cover this appliance.
- Never step on the appliance.

### 2.3 Licences / certificates

- UL (U.S.A) Std. 2021
- CSA (Canada) Std. 22.2 No. 46

### 2.4 Test symbols

See type plate on the appliance.

## 3. Register your product



You must register this product within 90 days of purchase on our web site in order to activate the standard warranty or to be eligible for the extended warranty. Go to our web site at [www.stiebel-eltron-usa.com](http://www.stiebel-eltron-usa.com) and click on register your product.

Before beginning the registration process, we suggest that you gather the necessary information which will be as follows:

Type, Example: CK 15 E (from the white label that is on the right side of the unit)

Number listed after "Nr."

Place of Purchase

Purchase Date

First & Last Name

Email address

Physical Address

Phone Number

IF YOU HAVE ANY QUESTIONS CONCERNING THE REGISTRATION PROCESS OR WARRANTY OPTIONS, PLEASE CONTACT STIEBEL ELTRON USA DIRECTLY AT (800)-582-8423.

## 4. Appliance description

This appliance is wall mounted and is particularly suitable for work rooms, kitchens, bathrooms, wash rooms and similar.

The external casing of the appliance is made from stove enameled sheet steel. The sides are made out of plastic. The controls are located on the right side panel.

The quiet fan draws in the ambient air that is heated by a bare wire heater element. The air then exits evenly through the hot air channel and the air outlet grille set into the bottom of the appliance.

The appliance heats up the ambient air inside the room and maintains it at the selected temperature.

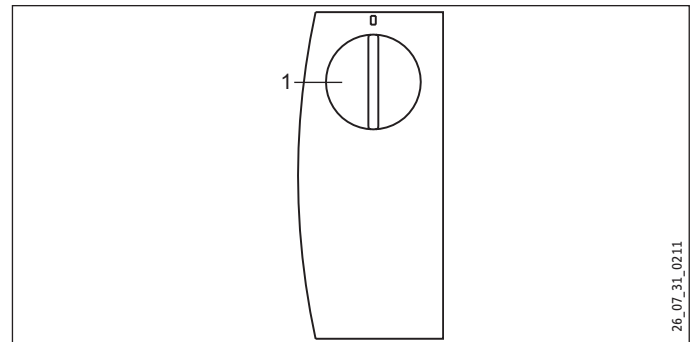
### 4.1 Control with external room temp. controller

(Only applicable for: CK)

In rooms larger than 215 ft<sup>2</sup> (20 m<sup>2</sup>) you can operate the appliance with a conventional wall mounted room thermostat.

- ▶ To do so, turn the temperature selector fully clockwise.
- ▶ Control the temperature by using the wall thermostat.

## 5. Operation CK 15 E / CK 20 E



1 Temperature selector

### 5.1 Starting heating

The temperature is infinitely adjustable. The appliance stops heating as soon as the selected room temperature has been reached.

- ▶ Turn the temperature selector clockwise to the required setting.

### 5.2 Stopping heating / frost protection

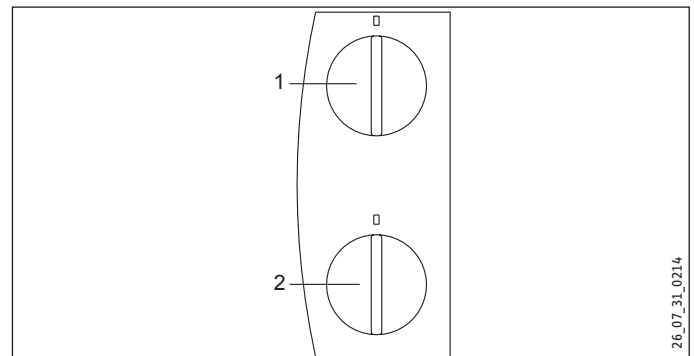


To ensure frost protection, the power switch must be in the on position.

- ▶ Turn the temperature selector fully counter clockwise.

This position ensures frost protection. The heater starts automatically if the room temperature drops below the frost protection temperature.

## 6. Operation CKT 15 E / CKT 20 E



1 Temperature selector  
2 Timer

# OPERATION

## CLEANING, CARE AND MAINTENANCE

### 6.1 Starting heating

The temperature is infinitely adjustable. The appliance stops heating as soon as the selected room temperature has been reached.

- ▶ Turn the temperature selector clockwise to the required setting.

### 6.2 Adjusting the time switch

With the time switch, the appliance heats with full output and without temperature control.

- ▶ Turn the Timer clockwise to set any number of minutes to count down from 0 - 60 minutes.

### 6.3 Stopping heating / frost protection

This position ensures frost protection. The heater starts automatically if the room temperature drops below the frost protection temperature.

- ▶ Turn the temperature selector fully counter clockwise and ensure that the time switch is set to "0".

## 7. Cleaning, care and maintenance

The appliance contains no user serviceable parts.

Clean the appliance when cold with ordinary cleaning products. Avoid abrasive or corrosive cleaning products.

If a pale brownish discoloration appears on the appliance casing, wipe this off as soon as possible with a damp cloth.



## 8. Storage

- ▶ When not in use, keep the appliance in a dry place.

## 9. Troubleshooting

If the appliance does not heat, check the temperature set at the appliance and the circuit breaker.

The appliance has a safety high limit that shuts the appliance down if it overheats. After the cause has been removed (for example air outlet or inlet apertures covered) and the appliance has cooled down for a few minutes, operation starts again.

If you cannot remedy the fault, notify the contractor who installed the appliance. To facilitate and speed up your enquiry, please provide the serial number from the type plate (000000-0000-000000).

# INSTALLATION

## 10. Safety

Only licensed electricians should carry out the maintenance and repair of this appliance.

### 10.1 General safety information

We guarantee trouble-free operation and operational reliability only if the original accessories and spare parts intended for the appliance are used.

### 10.2 Instructions, standards and regulations



**Note**  
Observe all applicable national and local regulations and instructions.

## 11. Appliance description

This appliance is a wall mounted electric heater. It is particularly suitable for heating rooms, such as work rooms, kitchens, bathrooms, wash rooms etc.

### 11.1 Standard delivery

- Wall mount bracket
- Bottom bracket

## 12. Installation



### DANGER Electrocutation

- If installing the appliance in rooms with a bath and/or shower, take the relevant safety zone into account in accordance with the information on the appliance type plate.
- Install the appliance in such a way that switching and control equipment cannot be touched by a person in the bath or shower.



### DANGER Fire

- Only fit the appliance to a vertical wall that is heat-resistant to at least 194 °F (90 °C).
- Maintain minimum clearances to adjacent surfaces.
- Never install the appliance directly below a wall socket.

- ▶ Check the hole distances for the wall mounting bracket in the dimensioned drawing.
- ▶ Secure the wall mounting bracket with suitable fasteners. The horizontal and vertical slots in the wall mounting bracket enable alignment if drilled holes are not completely accurate.
- ▶ Hook in the appliance so that both top protrusions are inserted into the slots in the wall mounting bracket.

# INSTALLATION

## ELECTRICAL CONNECTION

- ▶ Secure the appliance with the bottom bracket and one screw against unintentional unhooking. To do so, hook the bottom bracket from the back into the rear panel.

### 13. Electrical connection



**DANGER Electrocutation**  
Carry out all electrical connection and installation work in accordance with relevant regulations.



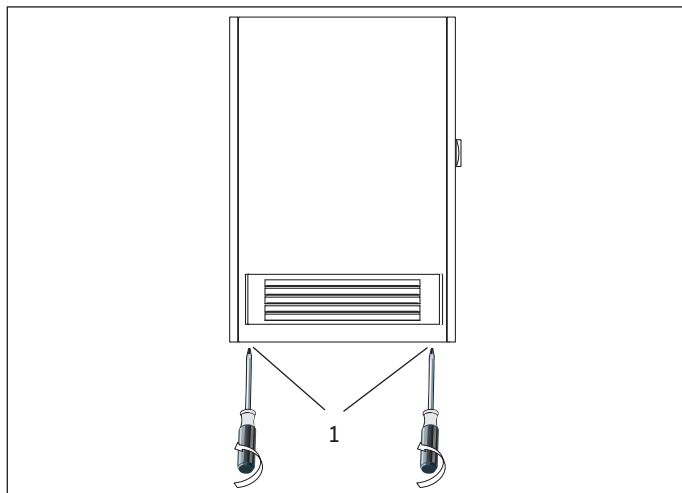
**Damage to the appliance and the environment**  
- Observe the type plate. The specified voltage must match the mains voltage.

Never install the appliance directly below an outlet.

In case of ROMEX wire, install 1/2" ROMEX connector in knockout.  
In case of Greenfield, please use 1/2" Greenfield connector.

#### 13.1 Removing the front cover

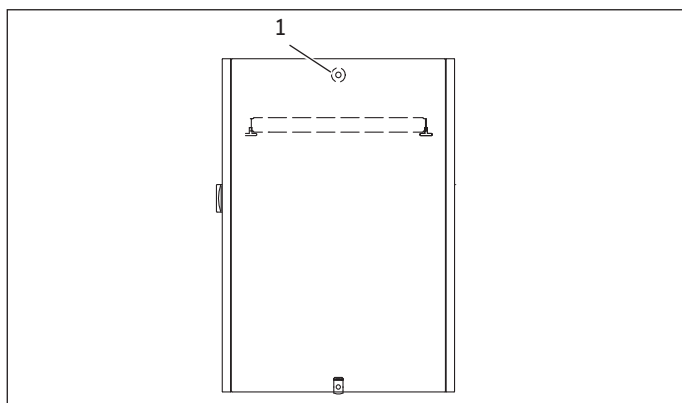
Remove the two screws at the bottom of the unit. Once removed, the front face can be removed by pulling it towards you.



1 Screw locations for removing cover

#### 13.2 Routing wire to the terminal block

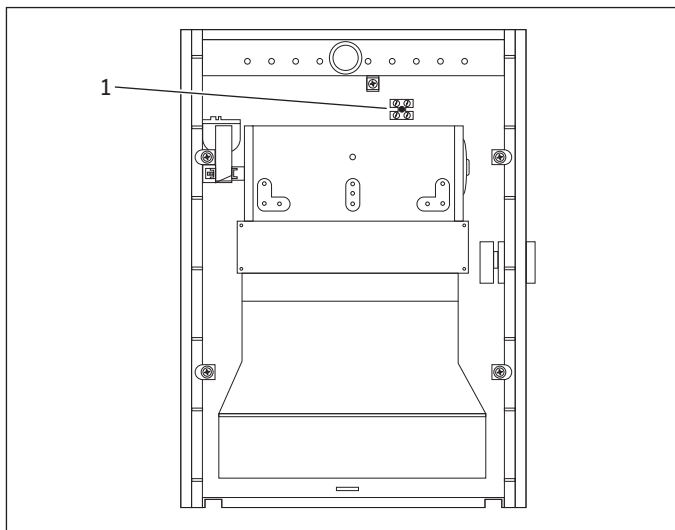
There is a hole for cable entry in the back of the unit. Install a cable clamp to prevent the power cable from being pulled out of the terminal block during operation.



1 Cable entry

#### 13.3 Terminal block

Route the power cable through the cable entry hole and into the terminal block. The ground wire screw is located above the terminal block.



1 Terminal block

Consult the chart below for the recommended torque amounts on the terminal block screws.

Screw Size (mm)	Min. Torque (N•cm)	Min. Torque (lbf•in)
M3.5	60-80	5.31-7.08

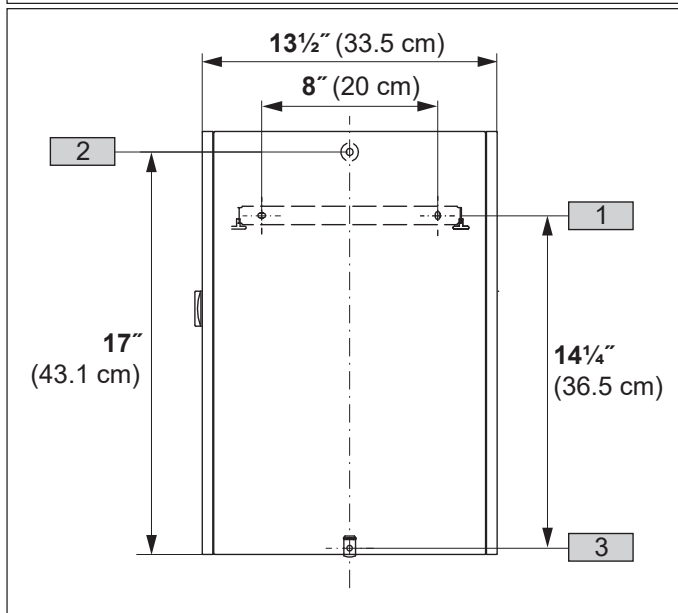
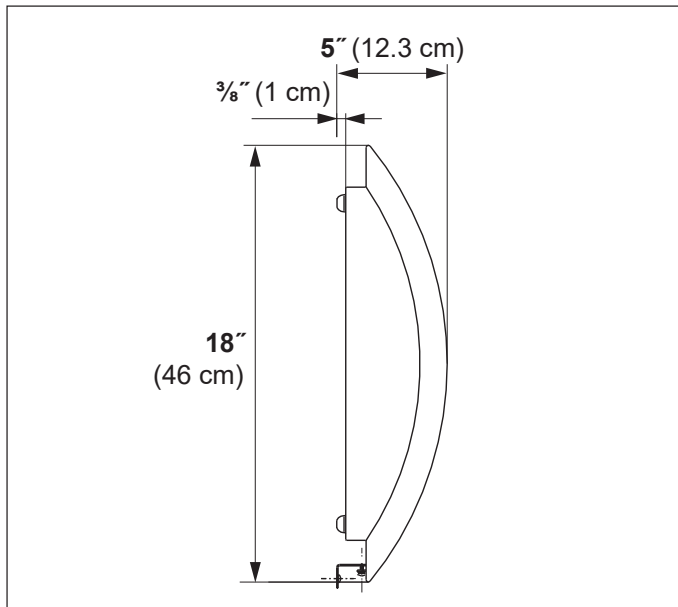
Using the proper torque specifications to secure wire to the wiring block helps to avoid personal loss or property damage.

### 14. Appliance handover

Explain the functions of the appliance to the user. Draw special attention to the safety information. Hand the operating and installation instructions to the user.

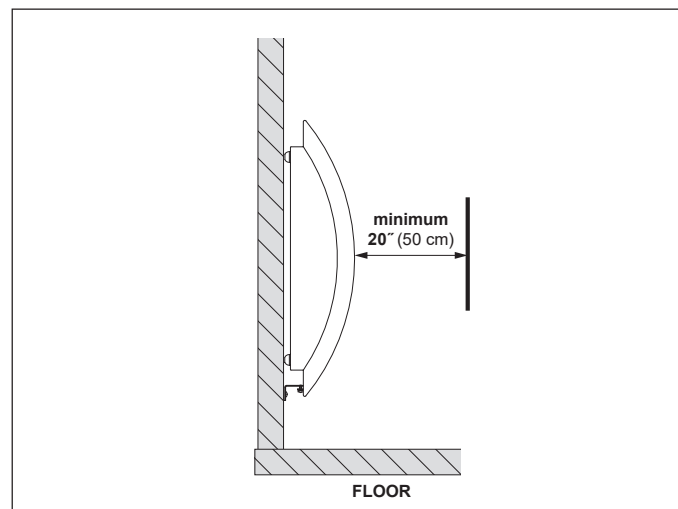
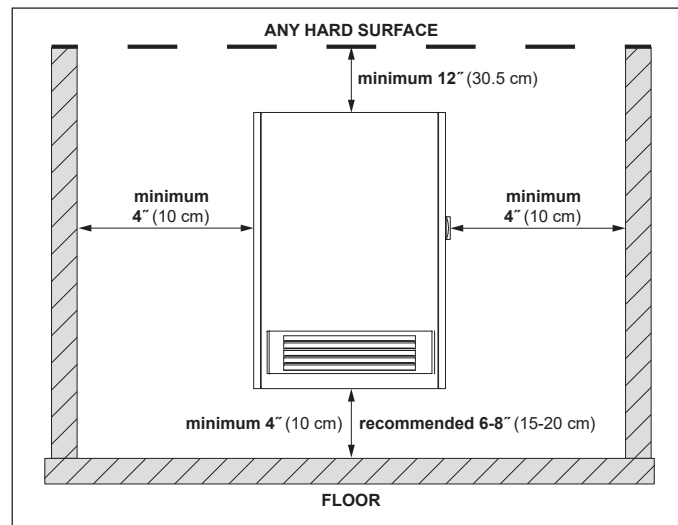
## 15. Specification

### 15.1 Dimensions



- 1 Wall mounting bracket
- 2 Cable entry
- 3 Bottom bracket

### 15.2 Minimum clearances to hard surfaces



- ▶ The images above show minimum allowed clearances between the installed appliance and any hard surfaces.
- ▶ We recommend installing the appliance 6-8" off the floor.



#### WARNING Fire

Combustible materials such as furniture, papers, clothes and curtains must be kept at least 3 feet (0.9 m) from the heater.

Never place any flammable, combustible or insulating objects or materials, such as laundry, blankets, magazines, containers with floor polish or gasoline, spray cans or similar on the appliance or in direct proximity to it.

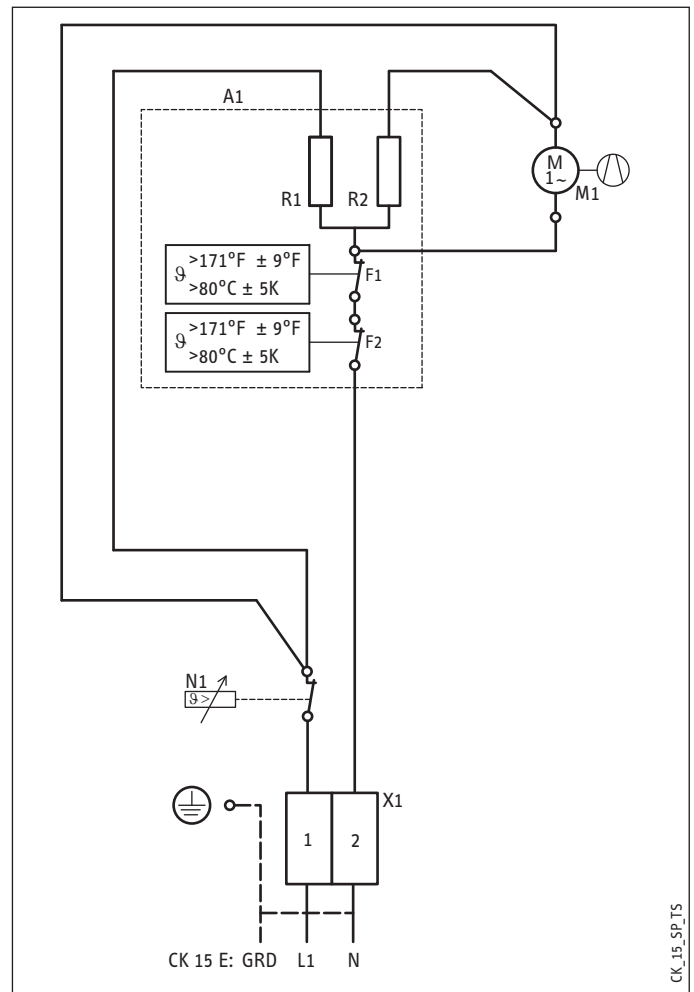
# INSTALLATION SPECIFICATION

## 15.3 Specification table

	CK 15 E	CK 20 E	
Part number	074058	074057	
Power supply	single phase	single phase	
Voltage	120 V	240 V	208 V
Wattage	1500 W	2000 W	1500 W
Amperage	12.5 A	8.3 A	7.5 A
Required circuit breaker size	15 A	15 A	15 A
Required wire size	14 AWG	14 AWG	14 AWG
Temperature range	41°F - 86°F / 5°C - 30°C		
Frost protection setting	44.6°F / 7°C		
Operating noise	49.7 dB(A)		
Height	18.1" / 46 cm		
Width	13.2" / 33.5 cm		
Depth	4.8" / 12.3 cm		
Weight	8.0 lb / 4.4 kg		

	CKT 15 E	CKT 20 E	
Part number	230345	230346	
Power supply	single phase	single phase	
Voltage	120 V	240 V	208 V
Wattage	1500 W	2000 W	1500 W
Amperage	12.5 A	8.3 A	7.5 A
Required circuit breaker size	15 A	15 A	15 A
Required wire size	14 AWG	14 AWG	14 AWG
Temperature range	41°F - 86°F / 5°C - 30°C		
Frost protection setting	44.6°F / 7°C		
Operating noise	49.7 dB(A)		
Height	18.1" / 46 cm		
Width	13.2" / 33.5 cm		
Depth	4.8" / 12.3 cm		
Weight	8.0 lb / 4.4 kg		

## 15.4 Wiring diagram CK 15 E

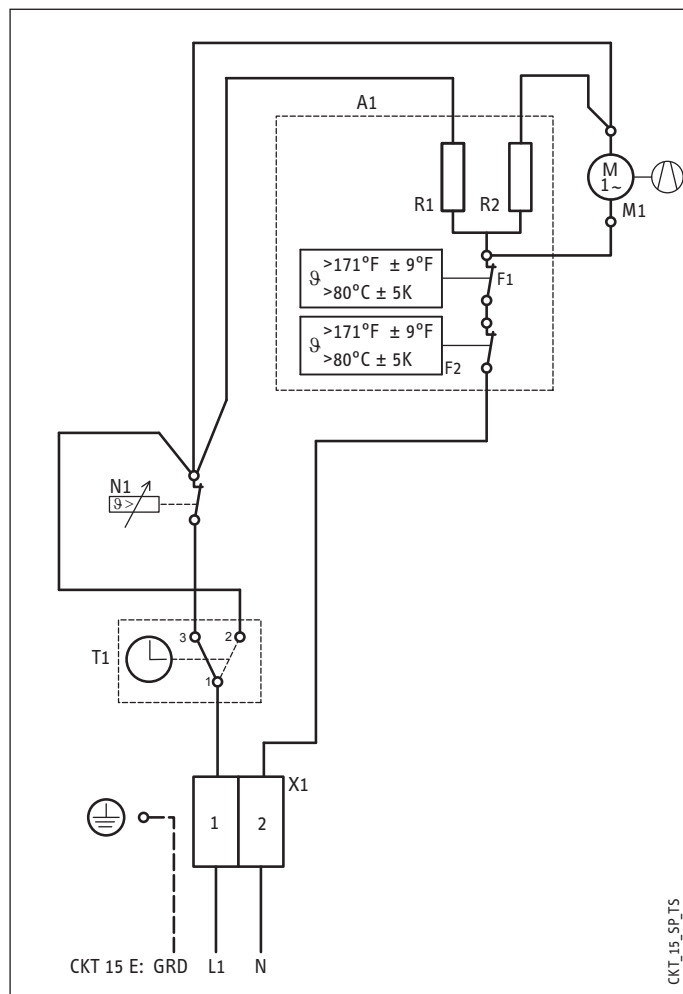


- A1 Electric heating element assembly
- F1 Temperature high limit
- M1 Fan
- N1 Thermostat
- R1 Heating resistor
- R2 Heating resistor
- X1 Wiring block



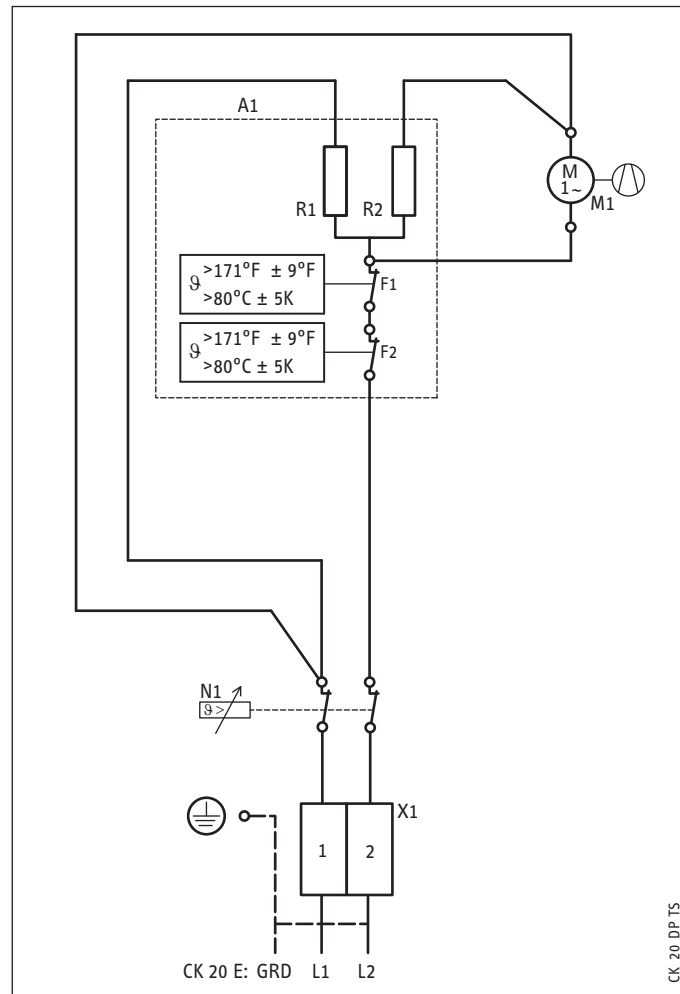
# INSTALLATION SPECIFICATION

## 15.5 Wiring diagram CKT 15 E



- A1 Electric heating element assembly
- F1 Temperature high limit
- M1 Fan
- N1 Thermostat
- R1 Heating resistor
- R2 Heating resistor
- T1 60 minute timer
- X1 Wiring block

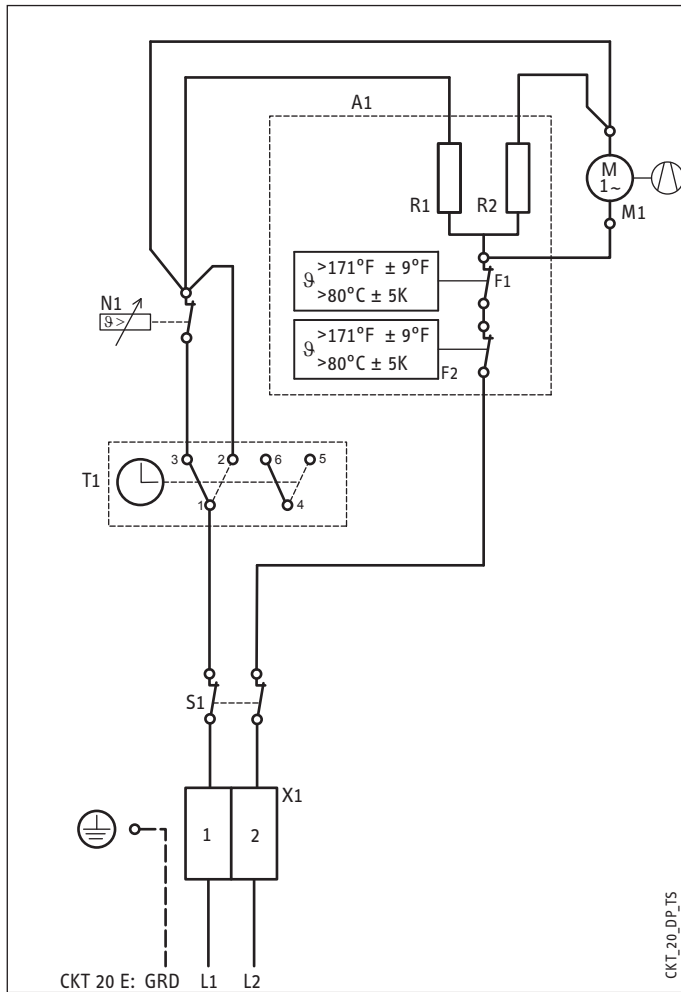
## 15.6 Wiring diagram CK 20 E



- A1 Electric heating element assembly
- F1 Temperature high Limit
- M1 Fan
- N1 Thermostat
- R1 Heating resistor
- R2 Heating resistor
- X1 Wiring block

# INSTALLATION SPECIFICATION

## 15.7 Wiring diagram CKT 20 E



- A1 Electric heating element assembly
- F1 Temperature high Limit
- M1 Fan
- N1 Thermostat
- R1 Heating resistor
- R2 Heating resistor
- S1 Dual-pole on/off switch
- T1 60 minute timer
- X1 Wiring block

## 16. Warranty

### LIMITED WARRANTY

Subject to the terms and conditions set forth in this limited warranty, Stiebel Eltron, Inc. (the “Manufacturer”) hereby warrants to the original purchaser (the “Owner”) that each Electric Space Heater (the “Heater”) shall be free of defects in the Manufacturer’s materials or workmanship for a period of three (3) years from the date of purchase. As Owner’s sole and exclusive remedy for breach of the above warranty, Manufacturer shall, at the Manufacturer’s discretion, send replacement parts for local repair; retrieve the unit for factory repair, or replace the defective Heater with a replacement unit with comparable operating features. Manufacturer’s maximum liability under all circumstances shall be limited to the Owner’s purchase price for the Heater.

This limited warranty shall be the exclusive warranty made by the Manufacturer and is made in lieu of all other warranties, express or implied, whether written or oral, including, but not limited to warranties of merchantability and fitness for a particular purpose. Manufacturer shall not be liable for incidental, consequential or contingent damages or expenses arising directly or indirectly from any defect in the Heater or the use of the Heater. Manufacturer shall not be liable for any damage to property of Owner arising, directly or indirectly, from any defect in the Heater or the use of the Heater. Manufacturer alone is authorized to make all warranties on Manufacturer’s behalf and no statement, warranty or guarantee made by any other party shall be binding on Manufacturer.

Manufacturer shall not be liable for any damage whatsoever relating to or caused by:

1. any misuse or neglect of the Heater, any accident to the Heater, any alteration of the Heater, or any other unintended use;
2. acts of God and circumstances over which Manufacturer has no control;

3. installation of the Heater other than as directed by Manufacturer and other than in accordance with applicable building codes;
4. failure to maintain the Heater or to operate the Heater in accordance with the Manufacturer’s specifications;
5. improper installation and/or improper materials used by any installer and not relating to defects in parts or workmanship of Manufacturer;
6. moving the Heater from its original place of installation;
7. use on improper voltage or current;
8. disassembly, repair, or alteration by anyone other than the manufacturer.

Should owner wish to return the Heater to manufacturer for repair or replacement under this warranty, Owner must first secure written authorization from Manufacturer. Owner shall demonstrate proof of purchase, including a purchase date, and shall be responsible for all removal and transportation costs. If Owner cannot demonstrate a purchase date this warranty shall be limited to the period beginning from the date of manufacture stamped on the Heater. Manufacturer reserves the right to deny warranty coverage upon Manufacturer’s examination of Heater. This warranty is restricted to the Owner and cannot be assigned.

Some States and Provinces do not allow the exclusion or limitation of certain warranties. In such cases, the limitations set forth herein may not apply to the Owner. In such cases this warranty shall be limited to the shortest period and lowest damage amounts allowed by law. This warranty gives you specific legal rights and you may also have other rights which vary from State to State or Province to Province.

Owner shall be responsible for all labor and other charges incurred in the removal or repair of the Heater in the field.



The installation, electrical connection and first operation of this appliance should be carried out by a qualified installer.



The company does not accept liability for failure of any goods supplied which have not been installed and operated in accordance with the manufacturer’s instructions.

### Environment and recycling

Please help us to protect the environment by disposing of the packaging in accordance with the national regulations for waste processing.

This Warranty is valid for U.S.A. & Canada only. Warranties may vary by country. Please consult your local Stiebel Eltron Representative for the Warranty for your country.

### OPERACIÓN

<b>1.</b>	<b>INSTRUCCIONES IMPORTANTES</b>	<b>12</b>
1.1	Información del documento	12
1.2	Indicaciones de seguridad	12
1.3	Otras marcas presentes en esta documentación	13
<b>2.</b>	<b>Seguridad</b>	<b>13</b>
2.1	Uso previsto	13
2.2	Información de seguridad	13
2.3	Autorizaciones	14
2.4	Sello de certificación	14
<b>3.</b>	<b>Registre su producto</b>	<b>14</b>
<b>4.</b>	<b>Descripción del aparato</b>	<b>14</b>
4.1	Operación con reguladores externos de temperatura	14
<b>5.</b>	<b>Operación CK 15 E / CK 20 E</b>	<b>15</b>
5.1	Encender la calefacción	15
5.2	Desconectar la calefacción / protección antiescarcha	15
<b>6.</b>	<b>Operación CKT 15 E / CKT 20 E</b>	<b>15</b>
6.1	Encender la calefacción	15
6.2	Ajustar el temporizador	15
6.3	Desconectar la calefacción / protección antiescarcha	15
<b>7.</b>	<b>Limpieza, conservación y mantenimiento</b>	<b>15</b>
<b>8.</b>	<b>Almacenaje</b>	<b>15</b>
<b>9.</b>	<b>Solución de problemas</b>	<b>15</b>

### INSTALACIÓN

<b>10.</b>	<b>Seguridad</b>	<b>16</b>
10.1	Indicaciones generales de seguridad	16
10.2	Directivas, normas y disposiciones	16
<b>11.</b>	<b>Descripción del aparato</b>	<b>16</b>
11.1	Ámbito de suministro	16
<b>12.</b>	<b>Montaje</b>	<b>16</b>
<b>13.</b>	<b>Conexión eléctrica</b>	<b>16</b>
13.1	Extracción de la cubierta frontal	16
13.2	Alambre de conexión al bloque de terminales	17
13.3	Bloque de terminales	17
<b>14.</b>	<b>Entrega del aparato a terceras personas</b>	<b>17</b>
<b>15.</b>	<b>Especificaciones técnicas</b>	<b>17</b>
15.1	Medidas	17
15.2	Distancias mínimas	18
15.3	Tabla de especificaciones	18
15.4	Plano eléctrico CK 15 E	19
15.5	Plano eléctrico CKT 15 E	19
15.6	Plano eléctrico CK 20 E	20
15.7	Plano eléctrico CKT 20 E	20
<b>16.</b>	<b>Garantía</b>	<b>21</b>

## OPERACIÓN

### 1. INSTRUCCIONES IMPORTANTES

#### GUARDE ESTAS INSTRUCCIONES

Siempre que se utilizan artefactos eléctricos, se deben tomar precauciones básicas para reducir los riesgos de incendio, shock eléctrico y lesiones personales, incluyendo las siguientes:

1. Lea todas las instrucciones antes de instalar o utilizar el calefactor.

2. El calefactor se calienta cuando está funcionando. Para prevenir quemaduras, evite que la piel desnuda entre en contacto con las superficies calientes. Mantenga materiales combustibles, tales como muebles, almohadas, ropa de cama, papeles, ropa, etc. y cortinas a una distancia de al menos 1 m (3 ft) del frente del calefactor, y a una distancia de al menos 1 m (3 ft) de los laterales y la parte posterior del artefacto.

3. Se deben tomar precauciones extremas cuando cualquier calefactor es utilizado por o cerca de niños o personas discapacitadas y cuando el calefactor se deja funcionando y sin vigilancia.

4. No utilice ningún calefactor que haya tenido un funcionamiento defectuoso. Desconecte la energía del panel de servicio y haga que un electricista confiable lo revise antes de reutilizarlo.

#### 1.1 Información del documento

El capítulo Operación está destinado a usuarios y técnicos en calefacción.

El capítulo Instalación está destinado a técnicos en calefacción.



#### Indicación

Lea las instrucciones cuidadosamente antes de utilizar el artefacto y guárdelas para consultas futuras. Pásele las instrucciones a cualquier nuevo usuario.

#### 1.2 Indicaciones de seguridad

##### 1.2.1 Estructura de las instrucciones de seguridad



#### ADVERTENCIA Tipo de peligro

A continuación se indican algunas de las posibles consecuencias ante el desobedecimiento de las instrucciones de seguridad.

► A continuación se proporcionan medidas para evitar el peligro.

## 1.2.2 Símbolos, tipo de peligro

Símbolo	Tipo de peligro
	Lesión
	Electrocución
	Quemadura o escaldamiento
	Incendio

## 1.2.3 Palabras de advertencia

PALABRA DE ADVERTENCIA	Significado
PELIGRO	Indicaciones, que en caso de no considerarlas, tiene como consecuencia lesiones graves o la muerte.
ADVERTENCIA	Indicaciones, que en caso de no considerarlas, puede tener como consecuencia lesiones graves o la muerte.
PRECAUCIÓN	Indicaciones, que en caso de no considerarlas, puede tener como consecuencia lesiones de gravedad media o baja.

## 1.3 Otras marcas presentes en esta documentación



### Indicación

Las indicaciones están delimitadas por líneas horizontales sobre y debajo del mensaje de texto. Las indicaciones generales se señalizan mediante el símbolo adyacente.  
► Lea atentamente las indicaciones.

Símbolo	
	Daños a aparatos y daños medioambientales
	Eliminación del aparato
	No tape el equipo

► Este símbolo indica que Usted tiene que realizar una acción. Las acciones necesarias se describen paso a paso.

## 2. Seguridad

Observe las siguientes indicaciones de seguridad y prescripciones.

El equipo sólo debe utilizarse después de haber sido instalado completamente y con todos los dispositivos de seguridad.

### 2.1 Uso previsto

Este artefacto está diseñado para calefaccionar espacios en viviendas.

Cualquier otro uso diferente del descrito será considerado inapropiado. El cumplimiento de estas instrucciones es también parte del uso correcto de este artefacto. Cualquier modificación o transformación del artefacto invalida todos los derechos de garantía.

### 2.2 Información de seguridad



#### PELIGRO Electrocución

- Antes de la limpieza, asegúrese de que la corriente esté desconectada en el panel del interruptor y de que el elemento de calentamiento del calentador esté frío.



#### PELIGRO Incendio

No ponga en funcionamiento el aparato ...

- si no se respetan las distancias mínimas con respecto a otros objetos limítrofes como, por ejemplo, muebles, cortinas y otros textiles o materiales inflamables (las distancias mínimas figuran en el capítulo "Especificaciones técnicas/medidas y distancias mínimas").
- si las habitaciones corren peligro de incendio o de explosión debido a la presencia de sustancias químicas, gases o vapores.
- si se encuentra colocado cerca de tuberías o depósitos que contienen o conducen sustancias inflamables o explosivas.
- si en la habitación de colocación se están realizando trabajos de instalación, mecanizado o sellado.
- si se manipulan sprays de gasolina, encáusticos o productos similares ventile suficientemente la habitación antes de calentar.
- si un componente del aparato presenta daños, si el aparato ha caído o si existió anteriormente un mal funcionamiento.
- al aire libre.



#### PELIGRO Incendio

Sobre el aparato o cerca de él no se pueden depositar objetos combustibles, inflamables o aislantes térmicos, tales como piezas de ropa, mantas, periódicos, depósitos con encáusticos o gasolina, botes de spray o similares.



#### ADVERTENCIA Incendio

Asegúrese de que en las aberturas de entrada y salida de aire no entren cuerpos extraños, ya que esto podría causar una descarga eléctrica, un incendio o daños en el aparato.



#### ADVERTENCIA Incendio

Para evitar incendios, asegúrese de no bloquear las aberturas de entrada y salida de aire. No utilice el aparato nunca sobre superficies blandas, como por ejemplo sobre una cama, ya que esto podría bloquear las aberturas.

# OPERACIÓN

## REGISTRE SU PRODUCTO



### PELIGRO Sobrecalentamiento

Al utilizar un temporizador para el funcionamiento, puede que el aparato siga calentando la habitación sin regulación. Si la habitación es pequeña y las personas que se encuentran en ella no pueden abandonarla de forma independiente, garantice una vigilancia permanente.



### ADVERTENCIA Peligro de lesiones

Si niños o personas con discapacidad física, sensorial o mental, manipulan el aparato, debe asegurarse de que esto solamente se realice bajo vigilancia o después de haber recibido la instrucción adecuada por una persona que esté a cargo de su seguridad. Los niños deben permanecer vigilados en todo momento para asegurarse de que no juegan con el aparato.



### CUIDADO Quemaduras

Las superficies de la carcasa del equipo y el aire que sale de éste se calientan mucho durante el funcionamiento (más de 90 °C (194 °F)). Para evitar quemaduras, procure que la piel no entre en contacto con las superficies calientes.



### Daños a aparatos y daños medioambientales

- No cubra el aparato.
- No se suba al aparato.

## 2.3 Autorizaciones

- Conforme a ANSI/UL Std. 2021
- Certificación con CAN/CSA Std. 22.2 No. 46

## 2.4 Sello de certificación

Véase placa de especificaciones en el aparato.

## 3. Registre su producto



Debe registrar este producto en un plazo de 90 días desde la compra a través de nuestra página web para activar cualquier garantía estándar o para optar a la ampliación de la garantía. Visite nuestra página web [www.stiebel-eltron-usa.com](http://www.stiebel-eltron-usa.com) y haga clic en "Registre su producto".

Antes de comenzar el proceso de registro, le sugerimos que recopile la siguiente información que necesitará:

Modelo; ejemplo: CK 15 E

Número que se indica después de "Nr."

Lugar de compra

Fecha de compra

Nombre y apellido

Dirección de email

Dirección postal

Número de teléfono

Fecha de instalación

Si tiene alguna pregunta en relación con el proceso de registro o con las opciones de garantía, por favor, póngase en contacto directamente con Stiebel Eltron USA en el número de teléfono (800)-582-8423.

## 4. Descripción del aparato

El aparato va fijado a la pared y sobre todo es adecuado para cuartos de trabajo, cocinas, lavabos y habitaciones semejantes.

La carcasa del aparato es de acero esmaltado al horno. Ambos lados están limitados por dos piezas laterales de plástico. En el lateral derecho se encuentran los elementos de mando.

El ventilador silencioso aspira el aire de la habitación que, después de ser calentado por el calefactor de resistencias, fluye a través del canal de aire caliente para ser expulsado de forma equilibrada por la rejilla de salida de aire caliente.

El aparato calienta la temperatura ambiente y la mantiene constante a la temperatura ajustada.

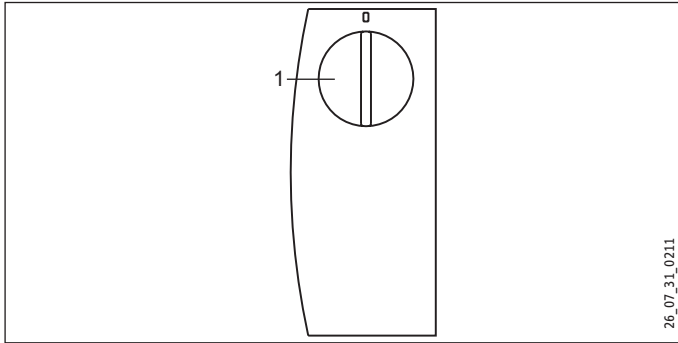
### 4.1 Operación con reguladores externos de temperatura

(Solo válido para: CK)

En habitaciones superiores a 215 ft<sup>2</sup> (20 m<sup>2</sup>) se puede utilizar el aparato con un regulador externo de temperatura corriente.

- Para ello gire el selector de temperatura del aparato hasta el tope derecho.

## 5. Operación CK 15 E / CK 20 E



1 Selector de temperatura

### 5.1 Encender la calefacción

La temperatura puede ser ajustada sin escalonamientos. El aparato se desconecta en el momento de alcanzarse la temperatura ajustada.

- Gire el selector de temperatura hacia la derecha hasta alcanzar la temperatura deseada.

### 5.2 Desconectar la calefacción / protección antiescarcha

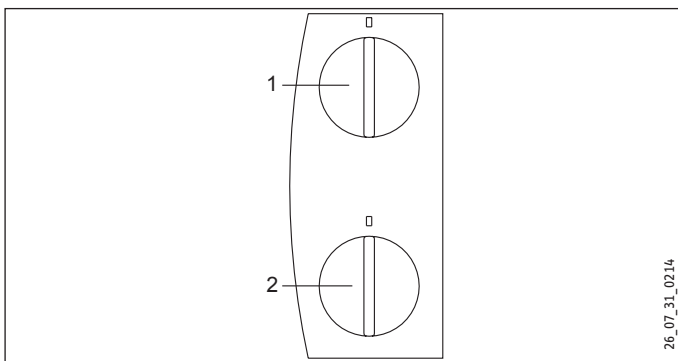


Para garantizar protección contra heladas, el botón de encendido debe estar en la posición "ON"

- Gire el selector de temperatura del aparato hasta el tope izquierdo.

En esta posición está activada la protección antiescarcha. La calefacción se enciende automáticamente si la temperatura ambiente desciende por debajo de la temperatura de protección antiescarcha.

## 6. Operación CKT 15 E / CKT 20 E



1 Selector de temperatura  
2 Temporizador

### 6.1 Encender la calefacción

La temperatura puede ser ajustada sin escalonamientos. El aparato se desconecta en el momento de alcanzarse la temperatura ajustada.

- Gire el selector de temperatura hacia la derecha hasta alcanzar la temperatura deseada.

### 6.2 Ajustar el temporizador

Con temporizador, el aparato calienta a plena potencia sin regulación de temperatura.

- Gire el selector del temporizador hacia la derecha para ajustar el tiempo de funcionamiento deseado de 0 - 60 minutos.

### 6.3 Desconectar la calefacción / protección antiescarcha

En esta posición está activada la protección antiescarcha. La calefacción se enciende automáticamente si la temperatura ambiente baja por debajo de la temperatura de protección antiescarcha.

- Gire el selector de temperatura del aparato hasta el tope izquierdo y cerciórese que el temporizador está ajustado a "0".

## 7. Limpieza, conservación y mantenimiento

El aparato no contiene ningún componente que necesite un mantenimiento por parte del usuario.

Limpie el aparato en estado frío utilizando productos de limpieza corrientes. Evite utilizar limpiadores agresivos o corrosivos.

Si se producen decoloraciones leves amarillentas en la carcasa del equipo, límpielas de inmediato frotando con un trapo humedecido.



### Daños a aparatos y daños medioambientales

No rocíe spray limpiador en las ranuras de ventilación de aire.

## 8. Almacenaje

- Cuando el aparato esté fuera de uso, guárdelo en un lugar seco.

## 9. Solución de problemas

Si el aparato no calienta, revise la temperatura ajustada en el aparato y el fusible de la instalación doméstica.

El aparato dispone de un regulador de temperatura de seguridad que se desconecta si el aparato se sobrecalienta. Tras reparar la causa (p.ej. abertura de salida o de entrada de aire cubierta), el aparato volverá a ponerse en marcha en unos pocos minutos después de un intervalo de tiempo de enfriado.

Si no puede solucionar la causa, llame al instalador. Para poder ayudarle mejor y con mayor agilidad, indique el número de la placa de modelo (000000-0000-000000).

# INSTALACIÓN

## 10. Seguridad

El mantenimiento y la reparación del aparato sólo puede ser realizado por un técnico del servicio postventa.

### 10.1 Indicaciones generales de seguridad

Sólo garantizamos una funcionalidad y seguridad de funcionamiento perfectas si se utilizan accesorios y piezas de repuesto originales previstos para el aparato.

### 10.2 Directivas, normas y disposiciones



#### Indicación

Tenga presentes todos los reglamentos y disposiciones nacionales y regionales.

## 11. Descripción del aparato

El equipo es un aparato eléctrico de calefacción directa, que es fijado a la pared. El aparato es muy apto para calentar habitaciones como p. ej. cuartos de trabajo, cocinas, baños, lavabos etc.

### 11.1 Ámbito de suministro

- Soporte de pared
- Ángulo de fijación

## 12. Montaje



#### PELIGRO Electrocutación

- En caso de instalar el aparato en habitaciones con bañera y/o ducha, tenga en cuenta el área de protección en concordancia con las indicaciones en la placa de especificaciones del aparato.
- Coloque el aparato de forma que los dispositivos de conmutación y regulación no puedan entrar en contacto con la persona que se encuentre en la bañera o bajo la ducha.



#### PELIGRO Incendio

- El aparato solo puede ser colocado a una pared vertical y resistente a temperaturas de 90 °C como mínimo.
- Mantenga las distancias mínimas respecto a las superficies de los objetos colindantes.
- No puede colocar el aparato inmediatamente debajo de una toma de corriente de pared.

- ▶ Observe en el plano dimensional la distancia entre los agujeros para el montaje del soporte de pared.
- ▶ Fije el soporte de pared con material de fijación adecuado. Con los oblongos horizontales y verticales se posibilita un mejor ajuste del soporte de pared respecto a los taladros.
- ▶ Cuelgue el aparato de manera que los dos anclajes situados en la parte superior de la pared trasera entren en las ranuras del soporte de pared.

- ▶ Coloque el ángulo de fijación y el tornillo para asegurar que el aparato no sea descolgado involuntariamente. Cuelgue para ello el ángulo de fijación desde atrás en la pared trasera.

## 13. Conexión eléctrica



#### PELIGRO Electrocutación

Realice los trabajos de conexión e instalación eléctricos conforme a la normativa vigente.



#### Daños a aparatos y daños medioambientales

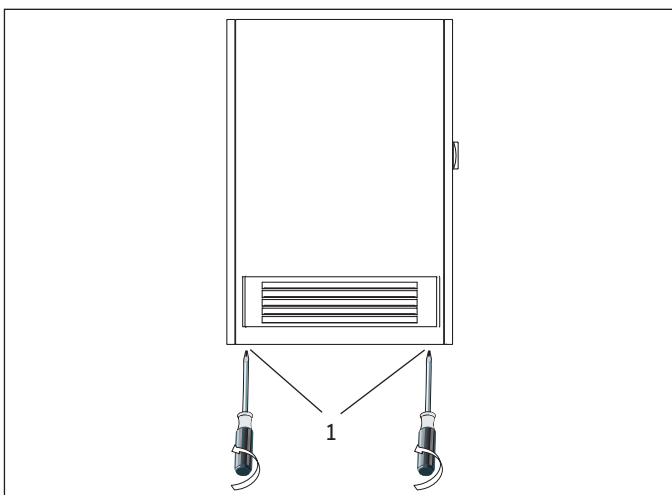
Observe la placa de especificaciones. La tensión indicada debe coincidir con la tensión eléctrica disponible.

No coloque el aparato inmediatamente debajo de una toma de corriente de pared.

En caso de cable ROMEX, instale 1/2" ROMEX conector. En caso de Greenfield, utilice por favor 1/2" Greenfield conector.

### 13.1 Extracción de la cubierta frontal

Retire los dos tornillos en la parte inferior de la unidad. Una vez quitados, la cara frontal se puede quitar tirando de ella hacia usted.

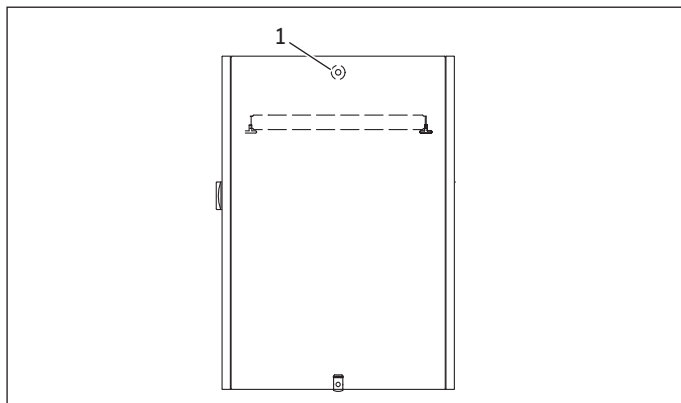


1 Ubicaciones de tornillos para quitar la cubierta



### 13.2 Alambre de conexión al bloque de terminales

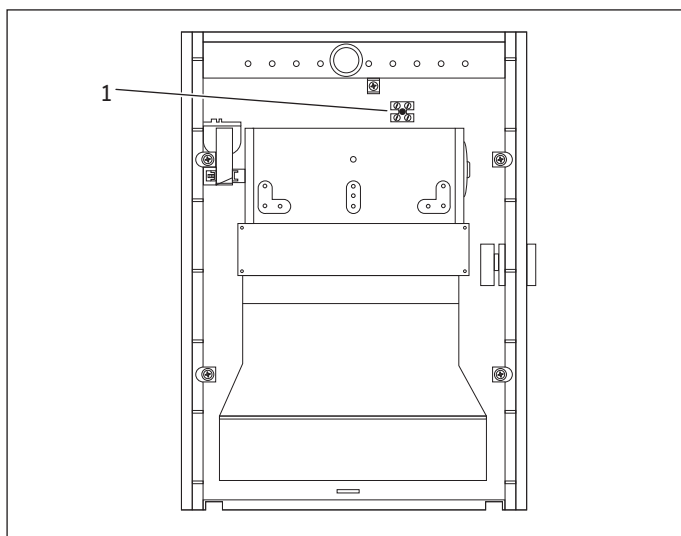
Hay un orificio para la entrada de cables en la parte posterior de la unidad. Instale una abrazadera de cable para evitar que el cable de alimentación sea sacado del bloque de terminales durante su funcionamiento.



1 Entrada de cable

### 13.3 Bloque de terminales

Pase el cable de alimentación a través del orificio de entrada del cable y dentro del bloque de terminales. El tornillo de conexión a tierra está ubicado encima del bloque de terminales.



1 Bloque de terminales

Consulte el siguiente diagrama para ver el nivel recomendado de torsión en los tornillos del bloque de terminales.

Diámetro del cable (mm)	Torsión (N•cm)	Torsión (Lbf•in)
M3.5	60-80	5.31-7.08

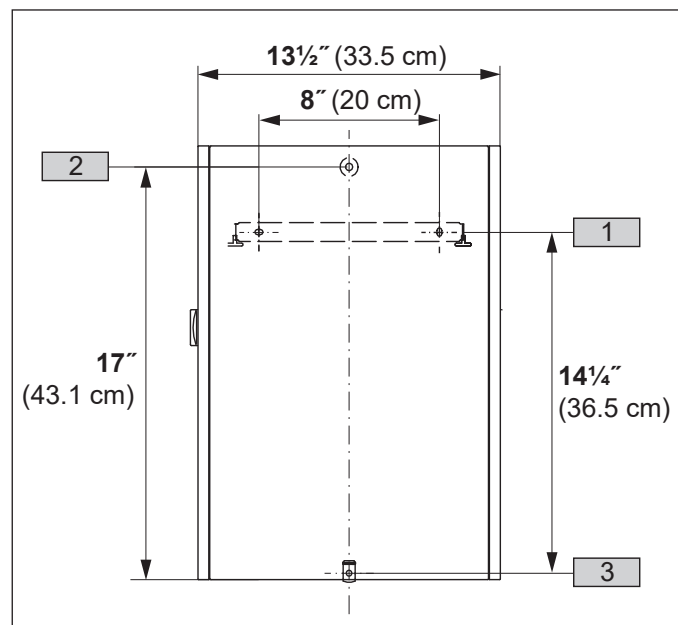
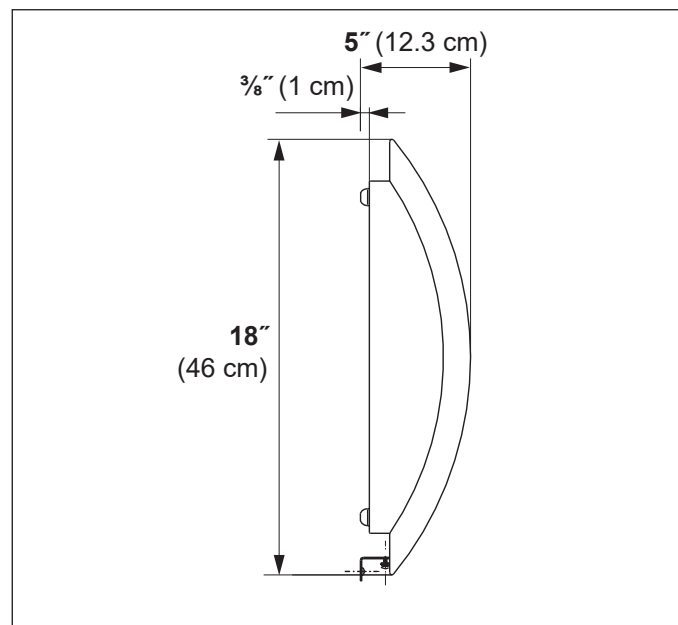
Usar las especificaciones de torsión adecuadas para fijar el cable al bloque de cableado ayuda a evitar pérdidas personales o daños a la propiedad.

### 14. Entrega del aparato a terceras personas

Explique al usuario las funciones del equipo. Subraye la importancia de las instrucciones de seguridad indicándoselas. Entregue al usuario el manual de operación e instalación.

### 15. Especificaciones técnicas

#### 15.1 Medidas

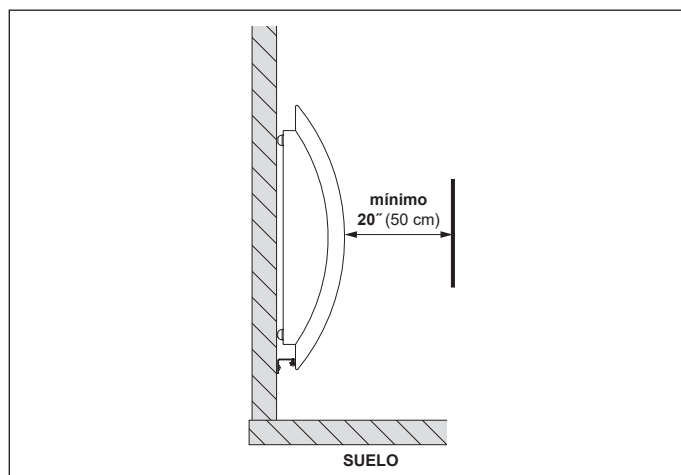
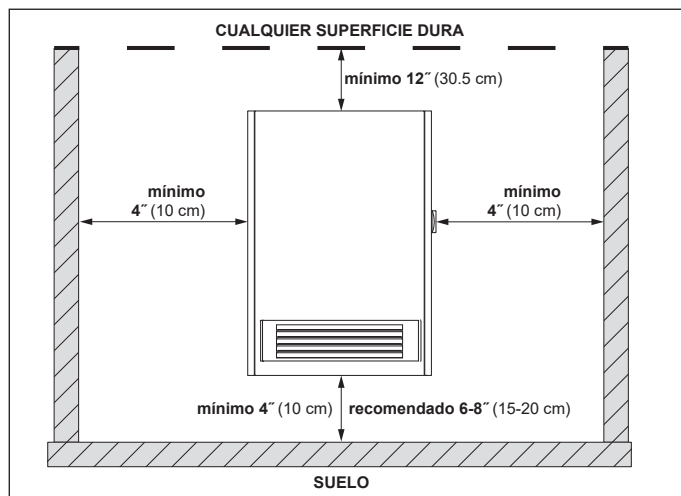


- 1 Soporte de pared
- 2 Paso de cables eléctricos
- 3 Ángulo de fijación

# INSTALACIÓN

## ESPECIFICACIONES TÉCNICAS

### 15.2 Distancias mínimas



- La imagen de arriba muestra las distancias mínimas permitidas entre el aparato instalado y cualquier superficies dura.
- Recomendamos que se instale el aparato a 6-8" del suelo.



#### PELIGRO Incendio

Los materiales combustibles como muebles, papeles, ropa y cortinas deben mantenerse al menos a 3 pies (0,9 m) del calentador.

Nunca coloque objetos o materiales inflamables, combustibles o aislantes, como ropa lavada, sábanas, revistas, recipientes con cera para pisos o gasolina, aerosoles u objetos similares sobre el artefacto o en cercanía directa a él.

### 15.3 Tabla de especificaciones

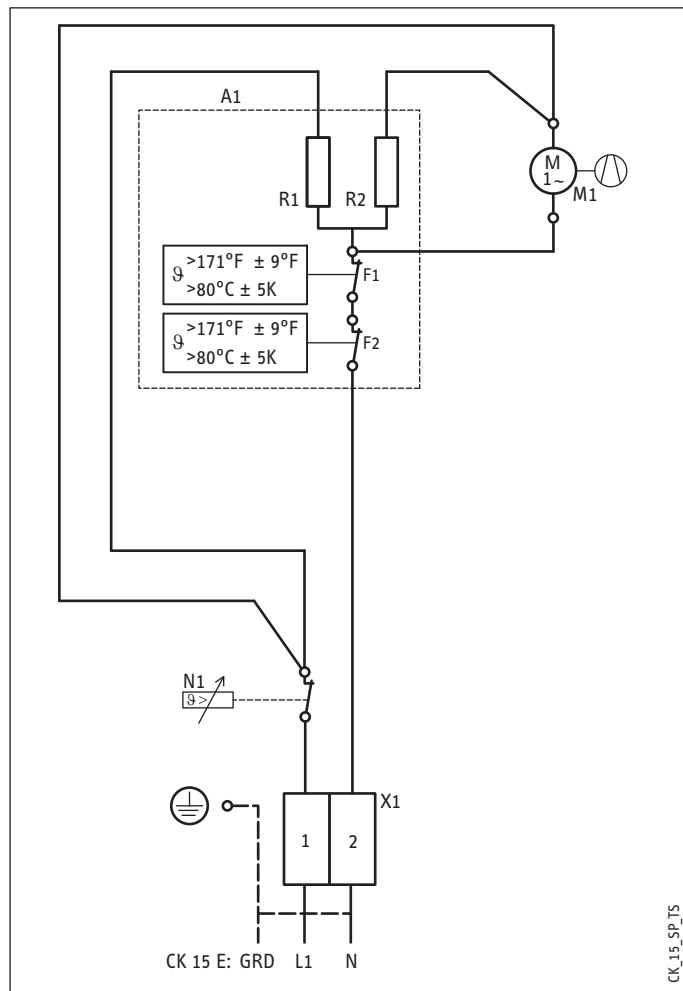
	CK 15 E	CK 20 E
Número de pedido	074058	074057
Conexión eléctrica	monofásico	monofásico
Voltaje	120 V	240 V 208 V
Vatios	1500 W	2000 W 1500 W
Amperaje	12.5 A	8.3 A 7.5 A
Interruptor auto. # requerido	15 A	15 A 15 A
Calibre de alambre	14 AWG	14 AWG 14 AWG
Rango de ajuste	41°F - 86°F / 5°C - 30°C	
Posición de protección antiescarcha	44.6°F / 7°C	
Ruido de funcionamiento	49.7 dB(A)	
Altura	18.1" / 46 cm	
Ancho	13.2" / 33.5 cm	
Profundidad	4.8" / 12.3 cm	
Peso	8.0 lb / 4.4 kg	

	CKT 15 E	CKT 20 E
Número de pedido	230345	230346
Conexión eléctrica	monofásico	monofásico
Voltaje	120 V	240 V 208 V
Vatios	1500 W	2000 W 1500 W
Amperaje	12.5 A	8.3 A 7.5 A
Interruptor auto. # requerido	15 A	15 A 15 A
Calibre de alambre	14 AWG	14 AWG 14 AWG
Rango de ajuste	41°F - 86°F / 5°C - 30°C	
Posición de protección antiescarcha	44.6°F / 7°C	
Ruido de funcionamiento	49.7 dB(A)	
Altura	18.1" / 46 cm	
Ancho	13.2" / 33.5 cm	
Profundidad	4.8" / 12.3 cm	
Peso	8.0 lb / 4.4 kg	

# INSTALACIÓN

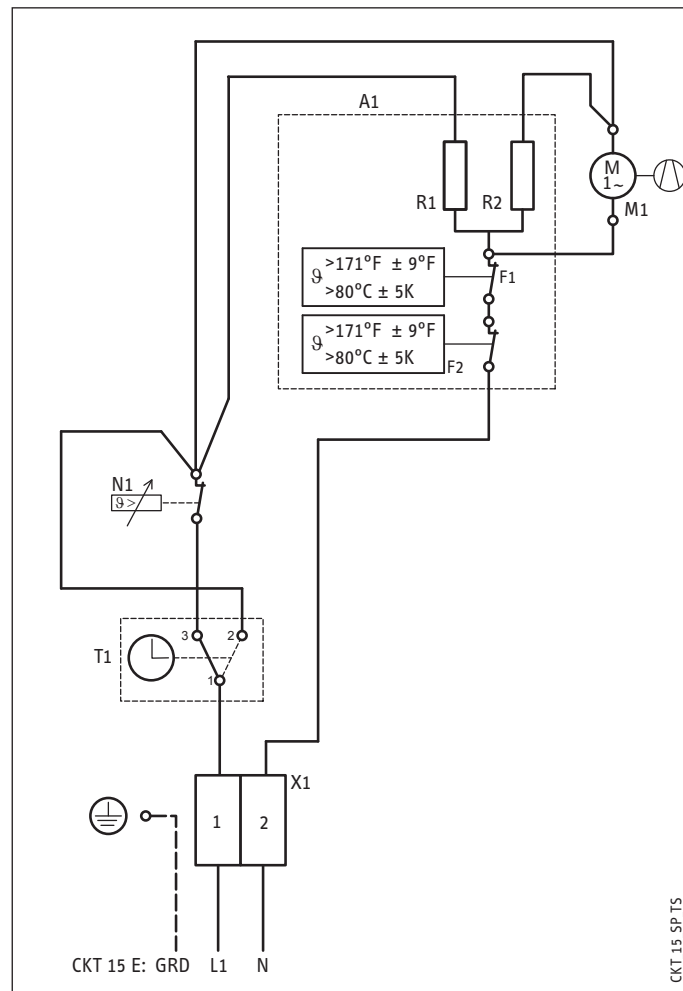
## ESPECIFICACIONES TÉCNICAS

### 15.4 Plano eléctrico CK 15 E



- A1 Grupo constructivo cuerpo calefactor eléctrico
- F1 Protección sobrecalentamiento
- M1 Ventilador
- N1 Regulador de temperatura
- R1 Resistencia calefactora
- R2 Resistencia calefactora
- X1 Conexión bipolar

### 15.5 Plano eléctrico CKT 15 E



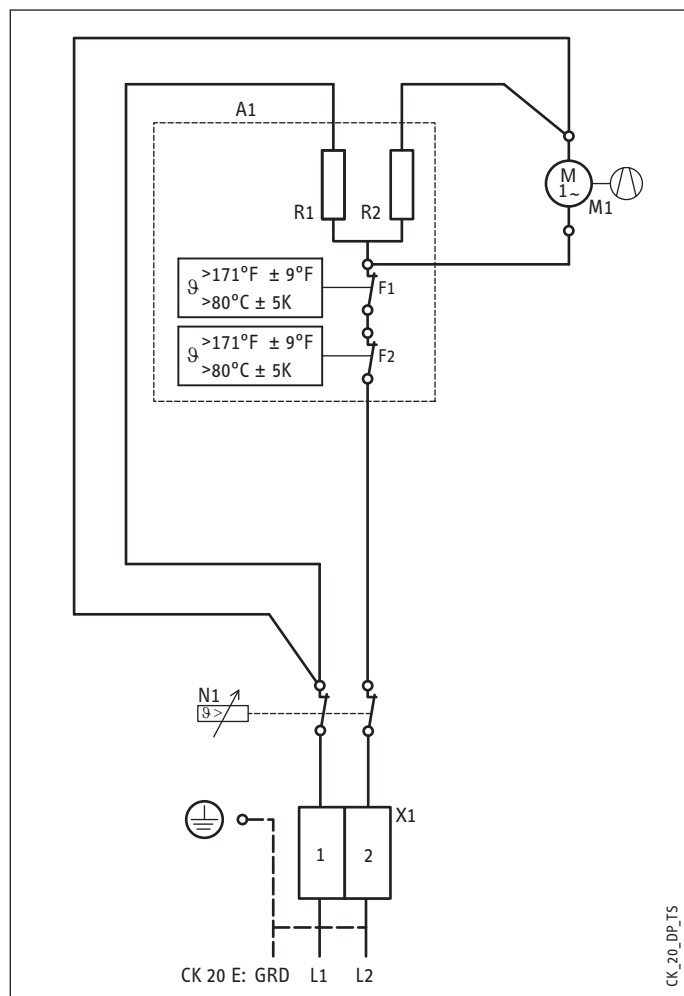
- A1 Grupo constructivo cuerpo calefactor eléctrico
- F1 Protección sobrecalentamiento
- M1 Ventilador
- N1 Regulador de temperatura
- R1 Resistencia calefactora
- R2 Resistencia calefactora
- T1 Temporizador corto 60 min
- X1 Regleta de conexiones bipolar

ESPAÑOL

# INSTALACIÓN

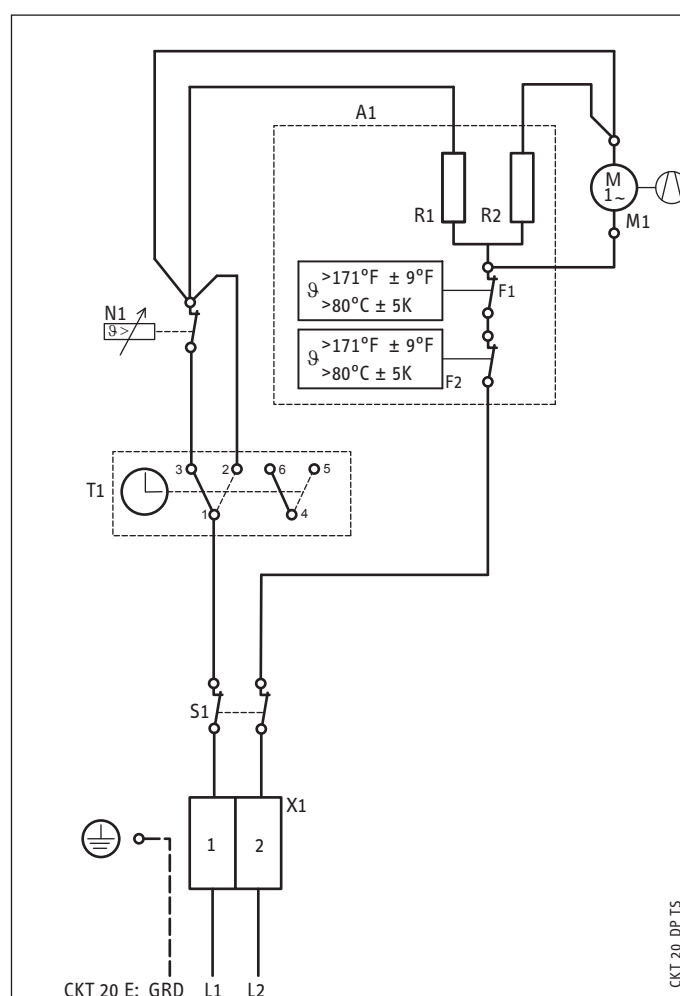
## ESPECIFICACIONES TÉCNICAS

### 15.6 Plano eléctrico CK 20 E



- A1 Grupo constructivo cuerpo calefactor eléctrico
- F1 Protección sobrecalentamiento
- M1 Ventilador
- N1 Regulador de temperatura
- R1 Resistencia calefactora
- R2 Resistencia calefactora
- X1 Conexión bipolar

### 15.7 Plano eléctrico CKT 20 E



- A1 Grupo constructivo cuerpo calefactor eléctrico
- F1 Protección sobrecalentamiento
- M1 Ventilador
- N1 Regulador de temperatura
- R1 Resistencia calefactora
- R2 Resistencia calefactora
- S1 Interruptor de doble polo
- T1 Temporizador corto 60 min
- X1 Regleta de conexiones bipolar

## 16. Garantía

### GARANTÍA LIMITADA

Sujeto a los términos y condiciones expresados en esta garantía limitada, Stiebel Eltron, Inc. (el "Fabricante") por la presente asegura al comprador original (el "Propietario") que cada calentador eléctrico de ambiente (el "Calentador") estará libre de defectos en los materiales del Fabricante o la mano de obra durante un período de tres (3) años a partir de la fecha de compra. Como única y exclusiva solución para el Propietario por incumplimiento de la presente garantía, el Fabricante, a discreción del Fabricante, enviará repuestos para reparación local, recuperará la unidad para su reparación en fábrica o reemplazará el Calentador defectuoso con una unidad de reemplazo que tenga características de funcionamiento comparables. La máxima responsabilidad del Fabricante en cualquier circunstancia se limitará al precio de compra del Calentador que pagó el Propietario.

Esta garantía limitada será la única garantía que ofrece el Fabricante y reemplaza a todas las demás garantías, expresas o implícitas, escritas u orales, incluidas pero no limitadas las garantías de comerciabilidad y aptitud para determinado fin. El Fabricante no será responsable de daños incidentales, consecuentes o contingentes o gastos que surjan directa o indirectamente de cualquier defecto del Calentador o el uso de este. El Fabricante no será responsable de cualquier daño a la propiedad del Propietario que surja directa o indirectamente de cualquier defecto del Calentador o el uso de este. Solo el Fabricante está autorizado a ofrecer todas las garantías de parte del Fabricante y ninguna afirmación, garantía o promesa realizada por cualquier otra parte será vinculante para el Fabricante.

El Fabricante no será responsable por daños de ningún tipo relacionados u ocasionados por:

1. cualquier uso indebido o falta de cuidado del Calentador, cualquier accidente que afecte al Calentador, cualquier alteración del Calentador o cualquier otro uso incorrecto;
2. casos fortuitos o circunstancias sobre las cuales el Fabricante no tiene control;

3. instalación del del Calentador que se desvíe de las directivas del Fabricante y no observe los códigos de construcción pertinentes;
4. falta de mantenimiento del Calentador o funcionamiento del Calentador que no sea conforme a las especificaciones del Fabricante;
5. instalación defectuosa y/o uso de materiales inapropiados por parte de cualquier instalador y que no se relacionen con defectos en los repuestos o la mano de obra del Fabricante;
6. cambio del Calentador de su lugar original de instalación;
7. funcionamiento en un voltaje o corriente inapropiada;
8. desarmado, reparación o alteración por cualquier persona que no sea el Fabricante.

Si el Propietario desea devolver el Calentador al Fabricante para su reparación o reemplazo bajo los términos de esta garantía, el Propietario debe obtener primero la autorización por escrito del Fabricante. El Propietario deberá presentar una prueba de compra que incluya la fecha de compra, y será responsable de todos los costos de desinstalación y transporte. Si el Propietario no puede demostrar la fecha de compra, esta garantía se limitará al período que corre a partir de la fecha de fabricación impresa en el Calentador. El Fabricante se reserva el derecho de negar la cobertura de esta garantía después de examinar el Calentador. Esta garantía se limita al Propietario y no puede transferirse.

Algunos estados y provincias no permiten la exclusión o limitación de ciertas garantías. En tales casos, las limitaciones aquí expresadas pueden no aplicarse al Propietario. En tales casos, esta garantía se limitará al período más corto y a los importes por daños más cortos permitidos por ley. Esta garantía le otorga derechos legales específicos y puede que usted tenga otros derechos, que varían de estado y de provincia a provincia.

El Propietario será responsable de todos los costos de mano de obra y otros cargos incurridos al retirar o reparar el Calentador en su domicilio.



**La instalación, conexión eléctrica y primera operación de este artefacto debe ser realizada por un instalador calificado.**



**La compañía no acepta responsabilidad alguna por la falla de cualquier artículo suministrado que no haya sido instalado y operado de acuerdo con las instrucciones del fabricante.**

### Medioambiente y reciclaje

Por favor ayúdenos a proteger el medioambiente eliminando el embalaje en concordancia con la normativa nacional para el tratamiento de residuos.

Esta Garantía solo es válida en Estados Unidos y Canadá. Las garantías pueden variar de un país a otro. Consulte a su representante de Stiebel Eltron local para conocer la Garantía correspondiente a su país.

# TABLE DES MATIÈRES | UTILISATION DIRECTIVES IMPORTANTES

## UTILISATION

<b>1. DIRECTIVES IMPORTANTES</b>	<b>22</b>
1.1 Généralités à propos de ce document	22
1.2 Consignes de sécurité	22
1.3 Autres repérages utilisés dans cette documentation	23
<b>2. Sécurité</b>	<b>23</b>
2.1 Utilisation conforme	23
2.2 Consignes de sécurité générales	23
2.3 Homologation	24
2.4 Label de conformité	24
<b>3. Inscrivez votre produit</b>	<b>24</b>
<b>4. Description de l'appareil</b>	<b>24</b>
4.1 Utilisation avec un régulateur externe de température ambiante	24
<b>5. Utilisation CK 15 E / CK 20 E</b>	<b>24</b>
5.1 Mise en marche du chauffage	24
5.2 Arrêt du chauffage / protection hors gel	24
<b>6. Utilisation CKT 15 E / CKT 20 E</b>	<b>25</b>
6.1 Mise en marche du chauffage	25
6.2 Réglage de l'horloge de temporisation	25
6.3 Arrêt du chauffage / protection hors gel	25
<b>7. Nettoyage, entretien et maintenance</b>	<b>25</b>
<b>8. Stockage</b>	<b>25</b>
<b>9. Comment remédier à un problème</b>	<b>25</b>

## INSTALLATION

<b>10. Sécurité</b>	<b>26</b>
10.1 Consignes de sécurité générales	26
10.2 Prescriptions, normes et directives	26
<b>11. Description de l'appareil</b>	<b>26</b>
11.1 Livraison normale	26
<b>12. Montage</b>	<b>26</b>
<b>13. Raccordement électrique</b>	<b>26</b>
13.1 Retrait du capot avant	26
13.2 Branchement du fil au bornier	27
13.3 Bloc de câblage	27
<b>14. Remise de l'appareil</b>	<b>27</b>
<b>15. Données techniques</b>	<b>27</b>
15.1 Dimensions	27
15.2 Distances minimales	28
15.3 Tableau de données	28
15.4 Schéma de câblage CK 15 E	29
15.5 Schéma de câblage CKT 15 E	29
15.6 Schéma de câblage CK 20 E	30
15.7 Schéma de câblage CKT 20 E	30
<b>16. Garantie</b>	<b>31</b>

## UTILISATION

### 1. DIRECTIVES IMPORTANTES GARDER CES DIRECTIVES POUR RÉFÉRENCE ULTÉRIEURE.

Pour réduire le risque d'incendie, de choc électrique ou de blessures, respectez les directives suivantes lorsque vous utilisez des appareils électriques :

1. Lire toutes les instructions avant d'installer ou d'utiliser cet appareil de chauffage.
2. Cet appareil est chaud lorsqu'il est en marche. Pour éviter de vous brûler, ne touchez pas les surfaces chaudes avec la peau nue. Gardez les matériaux combustibles, comme les meubles, les coussins, la literie, le papier, les vêtements, etc. et les rideaux à au moins 1 m (3 pi) de distance du devant de l'appareil de chauffage et au moins à 1 m (3 pi) de distance latéralement et à l'arrière.
3. Prenez de grandes précaution lorsque tout appareil de chauffage doit être utilisé en présence ou par des enfants ou des personnes invalides, ainsi que chaque fois qu'il est laissé en marche sans surveillance.
4. Ne faites pas fonctionner tout appareil de chauffage qui aurait mal fonctionné préalablement. Débranchez le cordon électrique à la prise et faites examiner l'appareil par un électricien de bonne réputation avant de le réutiliser.

#### 1.1 Généralités à propos de ce document

Le chapitre Mode d'emploi est à l'attention des utilisateurs et des entrepreneurs en systèmes de chauffage.

Le chapitre Installation est à l'attention des entrepreneurs en systèmes de chauffage.



Lisez attentivement ces directives avant d'utiliser l'appareil puis mettez-les de côté pour référence ultérieure. Transférez ce document à toute personne qui utilisera l'appareil.

#### 1.2 Consignes de sécurité

##### 1.2.1 Structure des consignes de sécurité







**MENTION D'AVERTISSEMENT Nature du danger**  
Sont indiqués ici les risques éventuellement encourus en cas de non-respect de la consigne de sécurité.  
► Sont indiqués ici les mesures permettant de pallier au danger.

# UTILISATION

## SÉCURITÉ

### 1.2.2 Symboles, nature du danger

Symbole	Nature du danger
	Blessure
	Électrocution
	Brûlure
	Incendie

### 1.2.3 Mentions d'avertissement

MENTION D'AVERTISSEMENT	Signification
DANGER	Caractérise des remarques dont le non-respect entraîne de graves lésions, voire la mort.
AVERTISSEMENT	Caractérise des remarques dont le non-respect peut entraîner de graves lésions, voire la mort.
ATTENTION	Caractérise des remarques dont le non-respect peut entraîner des lésions légères ou moyennement graves.




### 1.3 Autres repérages utilisés dans cette documentation



#### Remarque

Les remarques sont délimitées par des lignes horizontales au-dessus et en dessous du texte. Le symbole ci-contre caractérise des remarques générales.

- Lisez attentivement les textes de remarque.

Symbole	
	Endommagements de l'appareil et pollution de l'environnement
	Recyclage de l'appareil
	Ne pas couvrir l'appareil

► Ce symbole vous indique que vous devez agir. Les actions nécessaires sont décrites étape par étape.

## 2. Sécurité

Respectez les consignes de sécurité et les prescriptions énoncées par la suite.

N'utilisez cet appareil que s'il est complètement installé et doté de tous les dispositifs de sécurité.

### 2.1 Utilisation conforme

Cet appareil est conçu pour le chauffage de locaux.

Tout emploi sortant de ce cadre est considéré comme non conforme.

### 2.2 Consignes de sécurité générales



#### DANGER d'électrocution

- Coupez l'alimentation électrique de l'appareil au disjoncteur avant de le nettoyer et attendez que l'élément chauffant soit refroidi.



#### DANGER Incendie

N'utilisez pas l'appareil ...

- lorsque les distances minimales avec les surfaces des objets voisins (mobilier, rideaux et voilages, autres textiles ou tout autre matériau inflammable) ne sont pas respectées (voir le chapitre Données techniques / Cotes et distances minimales).
- dans les locaux où existe un risque d'incendie ou d'explosion en raison de la présence de produits chimiques, poussières, gaz ou vapeurs.
- à proximité immédiate de câbles ou récipients susceptibles de contenir ou de transporter des matériaux inflammables ou explosibles.
- si des travaux de pose, de ponçage, de vitrification sont exécutés dans le local où l'appareil est installé.
- là où sont manipulés de l'essence, des bombes aérosols, de l'encaustique ou d'autres produits identiques. Aérer suffisamment le local avant de chauffer.
- après une chute de l'appareil, après un fonctionnement défectueux, si un composant de l'appareil est endommagé.
- à l'extérieur.



#### DANGER Incendie

Ne posez pas sur l'appareil ou à proximité immédiate de celui-ci des objets ou des matériaux combustibles, inflammables ou isolants thermiques tels que linge, couvertures, journaux, récipients contenant de l'encaustique ou de l'essence, bombes aérosols et autres produits similaires.



#### AVERTISSEMENT Incendie

Veillez à ce qu'aucun corps étranger ne pénètre dans les ouvertures d'entrée ou de sortie d'air. Toute pénétration d'un corps étranger dans ces ouvertures risque de provoquer une électrocution ou un incendie, ou d'endommager l'appareil.



#### AVERTISSEMENT Incendie

Pour éviter tout incendie, veillez à ne jamais bloquer les ouvertures d'entrée et de sortie d'air. N'utilisez jamais l'appareil sur une surface de pose molle (lit par ex.) afin d'éviter d'obstruer les ouvertures.



#### DANGER Surchauffe

Si l'appareil est utilisé avec une horloge de temporisation, il peut, sans régulation, ne pas cesser de chauffer le local. Si le local est petit et que les personnes qui s'y trouvent ne peuvent pas le quitter d'elles-mêmes, il convient d'assurer une surveillance permanente.

# UTILISATION

## INSCRIVEZ VOTRE PRODUIT



### AVERTISSEMENT Blessure

À moins d'être supervisées ou d'avoir reçu les instructions d'usage de la personne responsable de leur sécurité, les personnes (y compris les enfants) aux capacités physiques, sensorielles ou mentales réduites ne doivent pas utiliser cet appareil. Surveillez les enfants pour vous assurer qu'ils ne jouent pas avec l'appareil.



### ATTENTION Brûlures

Les surfaces de l'appareil et l'air rejeté sont chauds lorsque l'appareil est en service (plus de 90 °C (194 °F)). Pour éviter des brûlures, évitez tout contact direct de la peau nue avec les surfaces chaudes.



### Endommagements de l'appareil et pollution de l'environnement

- Ne pas couvrir pas l'appareil.
- Ne montez pas sur l'appareil.

## 2.3 Homologation

- Conforme à la norme ANSI/UL Std. 2021
- Certifié à la norme CAN/CSA Std. 22.2 No. 46

## 2.4 Label de conformité

Voir la plaque signalétique sur l'appareil.

## 3. Inscrivez votre produit



Vous devez inscrire votre produit dans les 90 jours qui suivent la date d'achat sur notre site internet pour activer la garantie normale ou pour pouvoir réclamer la garantie prolongée. Rendez-vous à notre site internet à l'adresse suivante :

[www.stiebel-eltron-usa.com](http://www.stiebel-eltron-usa.com) et cliquez sur « Register Your Product » (inscrivez votre produit).

Avant de lancer le processus d'inscription, nous vous conseillons d'avoir à portée de main la documentation nécessaire, à savoir.

Modèle, Exemple : CK 15 E

Numéro apparaissant après « Nr, » (N°)

Lieu d'achat

Date d'achat

Prénom et nom de famille

Adresse courriel

Adresse postale

Numéro de téléphone

Date d'installation

En cas de questions à propos du processus d'inscription ou des options pour la garantie, veuillez contacter Stiebel Eltron USA directement en composant le (800) 582-8423.

## 4. Description de l'appareil

L'appareil se fixe au mur et convient en particulier pour les bureaux ou ateliers, cuisines, salles de bains, laveries et locaux similaires.

L'habillage externe de l'appareil est en tôle métallique thermolaquée. Les deux parois latérales sont en matière synthétique et les organes de commande sont placés sur le côté droit.

Le ventilateur silencieux capte l'air ambiant qui est ensuite chauffé par le système de chauffe à fil nu puis soufflé uniformément par le conduit d'air chaud et la grille de sortie d'air chaud située en-dessous.

L'appareil chauffe l'air ambiant à la température réglée et maintient cette température constante.

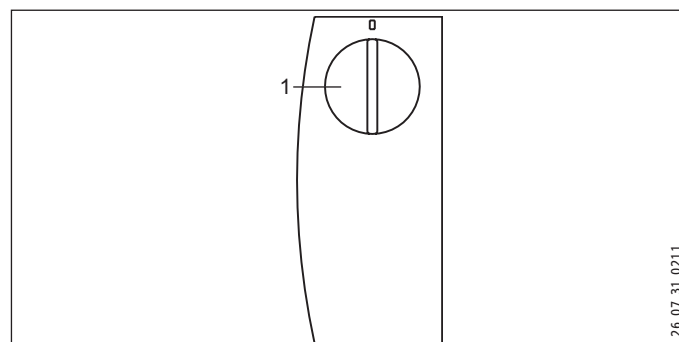
### 4.1 Utilisation avec un régulateur externe de température ambiante

(Ne s'applique qu'à CK)

Vous avez la possibilité d'utiliser cet appareil dans les locaux de plus de 20 m<sup>2</sup> (215 ft<sup>2</sup>) avec un régulateur externe de température ambiante acheté dans le commerce.

- Tournez le sélecteur de température de l'appareil vers la droite jusqu'en butée.

## 5. Utilisation CK 15 E / CK 20 E



1 Sélecteur de température

### 5.1 Mise en marche du chauffage

La température se règle en continu. L'appareil se coupe dès que la température ambiante réglée est atteinte.

- Tournez le sélecteur de température de l'appareil vers la droite jusqu'au niveau souhaité.

### 5.2 Arrêt du chauffage / protection hors gel



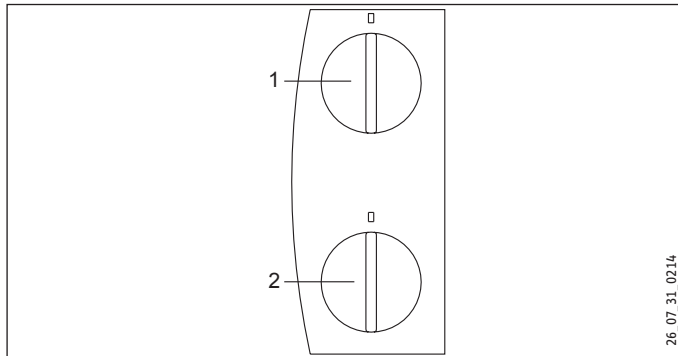
Pour assurer la protection contre le gel, assurez-vous que l'interrupteur d'alimentation est bien sur la position "On".

- Tournez le sélecteur de température de l'appareil vers la gauche jusqu'en butée.

La protection hors gel est activée en cette position. Le chauffage se met automatiquement en marche si la température ambiante est inférieure à la température de protection hors gel.



## 6. Utilisation CKT 15 E / CKT 20 E



- 1 Sélecteur de température
- 2 Horloge de temporisation

### 6.1 Mise en marche du chauffage

La température se règle en continu. L'appareil se coupe dès que la température ambiante réglée est atteinte.

- Tournez le sélecteur de température de l'appareil vers la droite jusqu'au niveau souhaité.

### 6.2 Réglage de l'horloge de temporisation

Sans régulation et avec l'horloge de temporisation, l'appareil chauffe à pleine puissance.

- Tournez le bouton de l'horloge de temporisation vers la droite pour régler une durée de fonctionnement comprise entre 0 et 60 minutes.

### 6.3 Arrêt du chauffage / protection hors gel

La protection hors gel est activée en cette position. Le chauffage se met automatiquement en marche si la température ambiante est inférieure à la température de protection hors gel.

- Tournez le sélecteur de température de l'appareil vers la gauche jusqu'en butée et vérifiez que l'horloge de temporisation est sur 0.

## 7. Nettoyage, entretien et maintenance

Cet appareil ne contient aucune pièce à entretenir par l'utilisateur.

Nettoyez l'appareil, lorsqu'il est froid, avec des produits d'entretien usuels. Évitez les produits d'entretien abrasifs et corrosifs.

Si des taches de couleur brune apparaissent sur l'enveloppe de l'appareil, nettoyez celles-ci avec un chiffon humide le plus tôt possible.



### Endommagements de l'appareil et pollution de l'environnement

Ne vaporisez pas de nettoyant en spray dans la fente d'aération.

## 8. Stockage

- Lorsque l'appareil n'est pas utilisé, rangez-le dans un endroit sec.

## 9. Comment remédier à un problème

Si l'appareil ne chauffe pas, vérifiez la température réglée sur l'appareil et le fusible de l'installation domestique.

L'appareil est équipé d'un thermostat de sécurité qui le coupe en cas de surchauffe. Une fois la cause éliminée (entrée ou sortie de l'air recouverte par ex.), l'appareil se remettra en marche après un temps de refroidissement de quelques minutes.

Appelez un installateur si vous ne réussissez pas à éliminer la cause. Donnez-lui le numéro indiqué sur la plaque signalétique pour qu'il puisse vous aider plus rapidement et plus efficacement (000000-0000-000000).

# INSTALLATION

## 10. Sécurité

La maintenance et les réparations de cet équipement ne doivent être effectuées que par un technicien du service clientèle.

### 10.1 Consignes de sécurité générales

Nous ne garantissons un bon fonctionnement et en toute sécurité de l'appareil que si les accessoires et pièces de rechange d'origine sont employés.

### 10.2 Prescriptions, normes et directives



#### Remarque

Tenez compte de la législation et des prescriptions nationales et locales.

## 11. Description de l'appareil

Cet appareil est un appareil de chauffage électrique direct à monter au mur. Cet appareil convient particulièrement au chauffage des locaux tels que bureaux ou ateliers, cuisines, salles de bains, laveries, etc.

### 11.1 Livraison normale

Les articles suivants sont livrés avec l'appareil:

- Applique murale équerre de fixation

## 12. Montage



#### DANGER Electrocutation

- Lors de l'installation de cet appareil dans des locaux avec baignoire et/ou douche, tenez compte de la zone de protection conformément aux indications reportées sur la plaquette signalétique de l'appareil.
- Placez l'appareil de sorte que les dispositifs de commutation et de régulation ne puissent être touchés par les personnes se trouvant dans la baignoire ou la douche.



#### DANGER Incendie

- L'appareil ne peut être fixé que sur une paroi verticale capable de résister au moins à une température de 90 °C.
- Respectez les distances minimales d'écartement avec les surfaces des objets voisins.
- N'installez pas l'appareil directement sous une prise électrique murale.

- ▶ Référez-vous au plan de cotes pour l'écartement des trous pour l'applique murale.
- ▶ Fixez la fixation murale à l'aide du matériel de fixation adéquat. Il est possible de compenser un décalage du trou dans le sens horizontal et vertical à l'aide du trou oblong de l'applique murale.

- ▶ Accrochez l'appareil de manière à ce que les deux ergots qui ressortent en haut de la paroi arrière s'agrippent dans la fente de l'applique murale.
- ▶ Fixez l'appareil avec l'équerre de fixation et une vis afin d'éviter qu'il ne se décroche inopinément. Accrochez l'équerre de fixation derrière à la paroi arrière.

## 13. Raccordement électrique



#### DANGER Electrocutation

Exécutez tous les travaux de raccordement et d'installation électriques suivant les prescriptions.



#### Endommagements de l'appareil et pollution de l'environnement

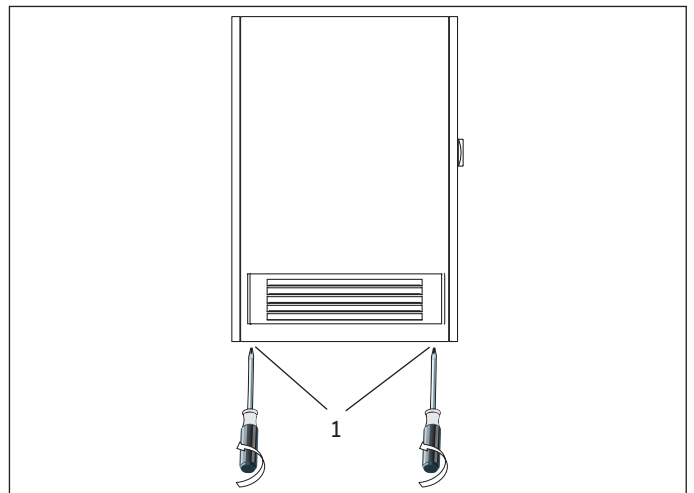
Respectez les indications de la plaque signalétique. La tension spécifiée doit correspondre à la tension du secteur.

N'installez pas l'appareil directement sous une prise électrique murale.

Si vous utilisez un câble de type ROMEX, installez un connecteur ROMEX de 1/2" dans l'évidement. Si vous utilisez un câble de type Greenfield, utilisez un connecteur Greenfield de 1/2".

### 13.1 Retrait du capot avant

Retirez les deux vis en bas de l'appareil. Une fois enlevé, le couvercle peut être retiré en le tirant vers vous.



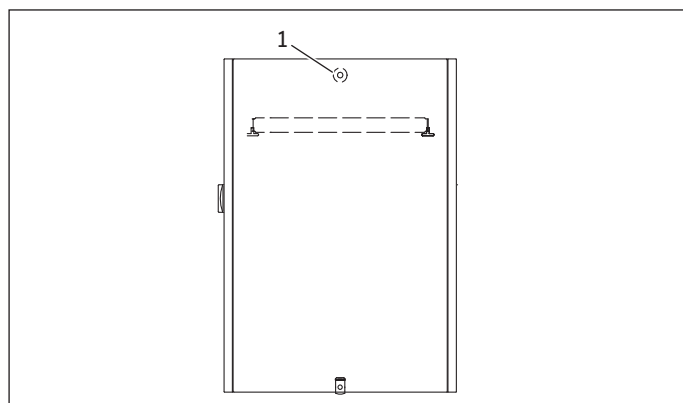
- 1 Visquer les emplacements pour enlever le couvercle

## INSTALLATION

### REMISE DE L'APPAREIL

#### 13.2 Branchement du fil au bornier

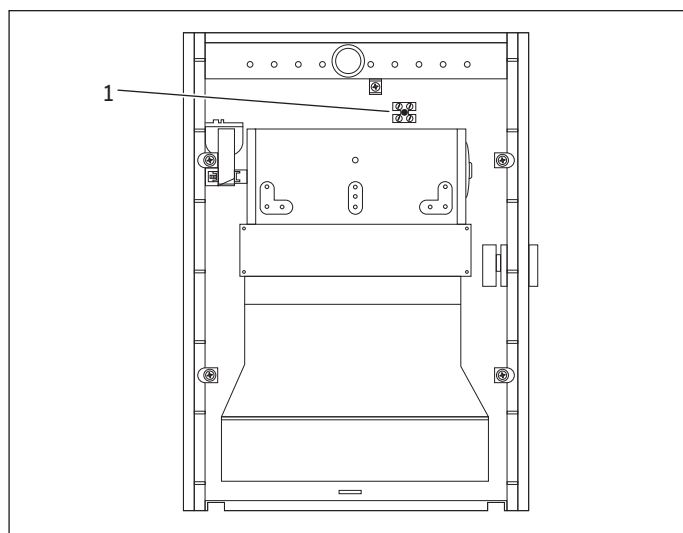
Il y a un trou pour l'entrée du câble à l'arrière de l'unité. Installez un serre-câble pour éviter que le câble d'alimentation ne sorte du bornier pendant le fonctionnement.



1 Entrée de câble

#### 13.3 Bloc de câblage

Faites passer le câble d'alimentation dans le trou d'entrée du câble et dans le bornier. La vis du fil de terre est située au-dessus du bornier.



1 Bloc de câblage

Consultez le tableau ci-dessous pour connaître la pression de serrage recommandée pour les vis de la plaque à bornes.

Diamètre de vis (mm)	Torque (N•cm)	Torque (lbf•in)
M3.5	60-80	5.31-7.08

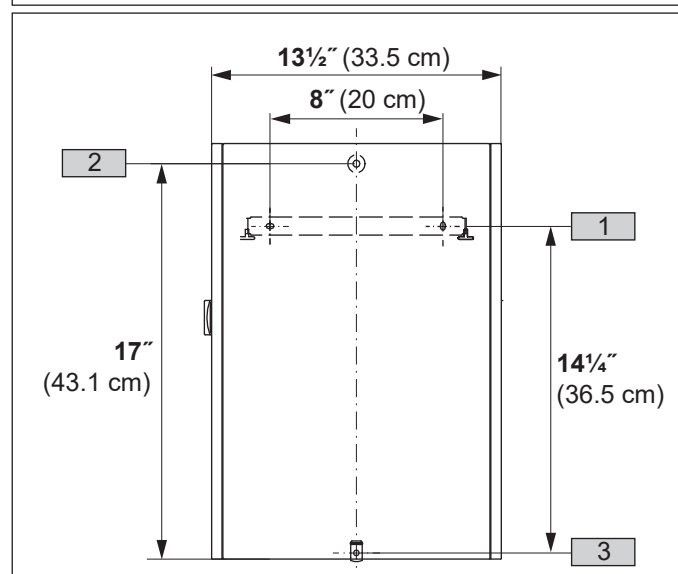
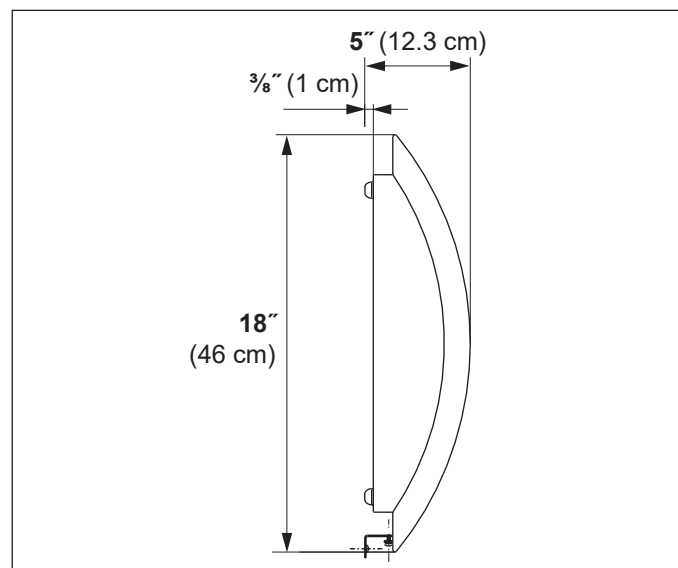
Utiliser la pression de serrage appropriée pour fixer les fils au bloc de câblage contribue à prévenir la perte de biens personnels et les dommages à la propriété.

#### 14. Remise de l'appareil

Expliquez les différentes fonctions de l'appareil à l'utilisateur. Attirez particulièrement son attention sur les consignes de sécurité. Remettez les instructions d'utilisation et d'installation à l'utilisateur.

#### 15. Données techniques

##### 15.1 Dimensions

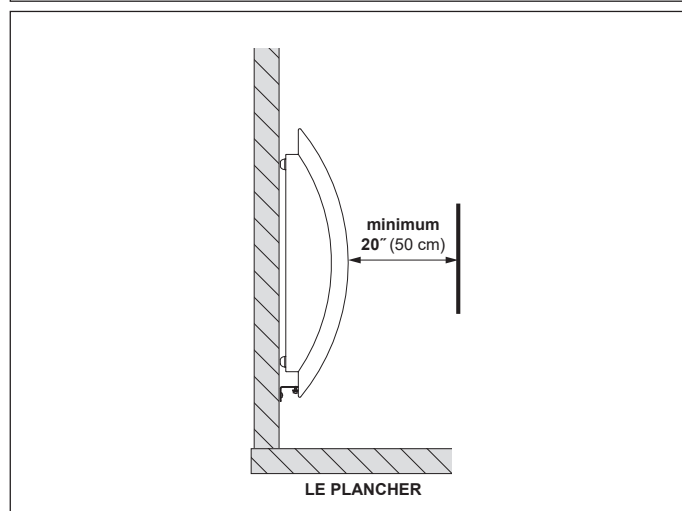
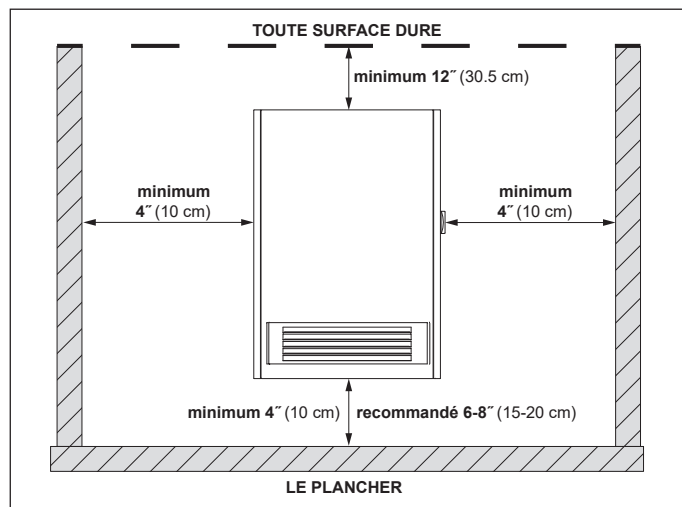


- 1 Fixation murale
- 2 Passage des câbles électriques
- 3 Équerre de fixation

# INSTALLATION

## DONNÉES TECHNIQUES

### 15.2 Distances minimales



- L'image ci-dessus montre la distance minimale à respecter entre le convecteur et toute surface dure.
- Les objets inflammables comme les meubles, le papier, les vêtements et les rideaux doivent demeurer à plus de 90 centimètres (3 pieds) du convecteur.



#### AVERTISSEMENT Incendie

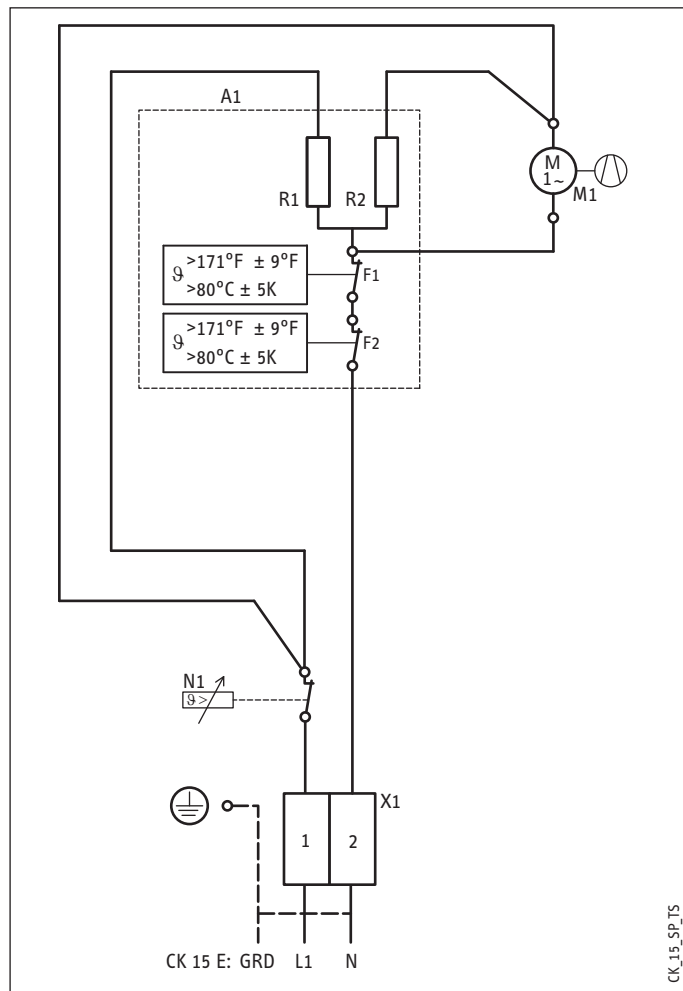
Ne placez jamais d'objets ou de matériaux inflammables ou isolants comme des draps, des serviettes, des couvertures, des magazines, des contenants de cire à parquets ou d'essence, des aérosols ou d'autres objets similaires sur l'appareil ou à proximité immédiate de celui-ci.

### 15.3 Tableau de données

	CK 15 E	CK 20 E
Réf. commande	074058	074057
Phase	monophasé	monophasé
Tension	120 V	240 V 208 V
Puissance de raccordement	1500 W	2000 W 1500 W
Ampérage	12.5 A	8.3 A 7.5 A
Taille requise disjoncteur	15 A	15 A 15 A
Taille de câble requise, cuivre	14 AWG	14 AWG 14 AWG
Plage de réglage	41°F - 86°F / 5°C - 30°C	
Protection hors gel	44.6°F / 7°C	
Bruit en fonctionnement	49.7 dB(A)	
Hauteur	18.1" / 46 cm	
Largeur	13.2" / 33.5 cm	
Profondeur	4.8" / 12.3 cm	
Poids	8.0 lb / 4.4 kg	

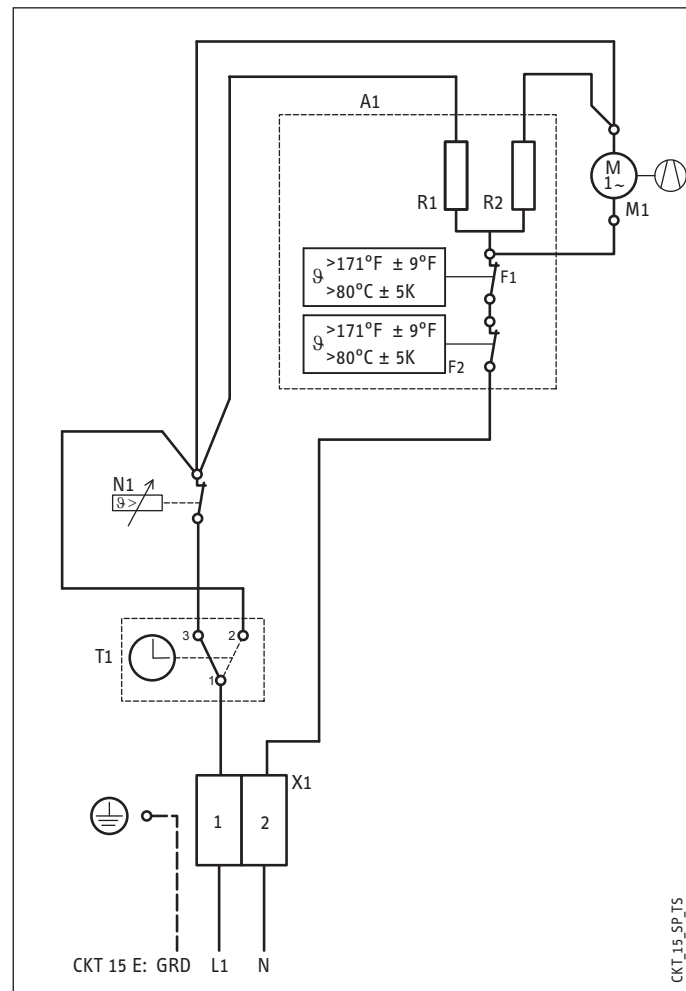
	CKT 15 E	CKT 20 E
Réf. commande	230345	230346
Phase	monophasé	monophasé
Tension	120 V	240 V 208 V
Puissance de raccordement	1500 W	2000 W 1500 W
Ampérage	12.5 A	8.3 A 7.5 A
Taille requise disjoncteur	15 A	15 A 15 A
Taille de câble requise, cuivre	14 AWG	14 AWG 14 AWG
Plage de réglage	41°F - 86°F / 5°C - 30°C	
Protection hors gel	44.6°F / 7°C	
Bruit en fonctionnement	49.7 dB(A)	
Hauteur	18.1" / 46 cm	
Largeur	13.2" / 33.5 cm	
Profondeur	4.8" / 12.3 cm	
Poids	8.0 lb / 4.4 kg	

15.4 Schéma de câblage CK 15 E



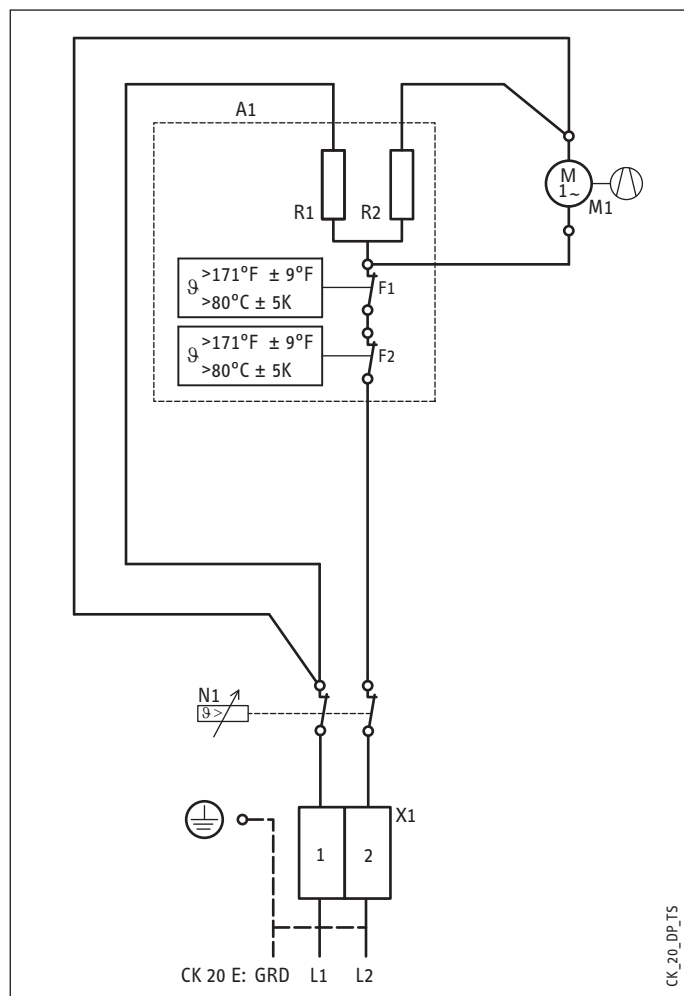
- A1 Module élément électrique chauffant
- F1 Protection contre la surchauffe
- M1 Ventilateur
- N1 Thermostat
- R1 Résistance électrique
- R2 Résistance électrique
- X1 Bloc de jonction

15.5 Schéma de câblage CKT 15 E



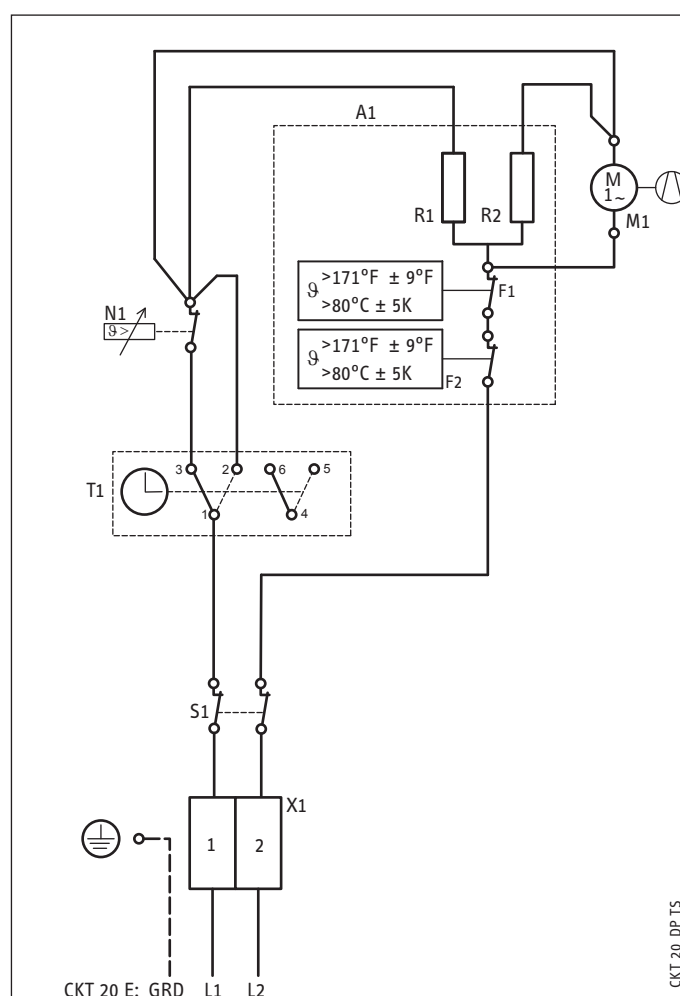
- A1 Module élément électrique chauffant
- F1 Protection contre la surchauffe
- M1 Ventilateur
- N1 Thermostat
- R1 Résistance électrique
- R2 Résistance électrique
- T1 Minuterie 60 min
- X1 Bloc de jonction

### 15.6 Schéma de câblage CK 20 E



- A1 Module élément électrique chauffant
- F1 Protection contre la surchauffe
- M1 Ventilateur
- N1 Thermostat
- R1 Résistance électrique
- R2 Résistance électrique
- X1 Bloc de jonction

### 15.7 Schéma de câblage CKT 20 E



- A1 Module élément électrique chauffant
- F1 Protection contre la surchauffe
- M1 Ventilateur
- N1 Thermostat
- R1 Résistance électrique
- R2 Résistance électrique
- S1 Interrupteur bipolaire
- T1 Minuterie 60 min
- X1 Bloc de jonction

## 16. Garantie

## GARANTIE LIMITÉE

Sous réserve du respect des termes et conditions définis dans la présente garantie à vie limitée, Stiebel Eltron, Inc. (ci-après, le « Fabricant ») garantit à l'acheteur d'origine (ci-après le « Propriétaire ») que tous les chauffe-eau électrique sans réservoir (ci-après, le « Chauffe-eau ») ne doit pas (i) des fuites dues à des défauts de matériaux ou de fabricant de fabrication pendant une période de sept (7) ans à compter de la date d'achat ou (ii) l'échec en raison de défauts dans les matériaux ou de fabrication du fabricant pour une période de trois (3) ans à compter de la date d'achat. Le seul et unique recours du propriétaire dans le cadre de la garantie susmentionnée sera pour le Propriétaire de soit réparer en usine, soit remplacer le Chauffe-eau défectueux (à la discrétion du fabricant) avec soit un appareil de rechange, soit une ou des pièces ayant les mêmes caractéristiques d'exploitation. La responsabilité financière maximale du Fabricant ne pourra en aucun cas aller au-delà du prix d'achat du le Chauffe-eau.

Cette garantie limitée représente la seule garantie accordée par le fabricant et annule toute les autres garanties, orales ou écrites, expresses ou implicites, y compris, mais sans y être limitées les garanties de qualité marchande ou d'aptitude à un usage particulier. Le fabricant rejette toute responsabilité pour les dommages ou frais indirects, consécutifs ou autres résultant directement ou indirectement de tout vice présent dans le chauffe-eau ou survenu lors de l'usage du Chauffe-eau. Le fabricant rejette toute responsabilité pour tout dégât des eaux ou tout autre dégât matériel encouru par le propriétaire, résultant directement ou indirectement de tout vice présent dans le Chauffe-eau ou survenu lors de l'usage du Chauffe-eau. Seul le Fabricant est autorisé à énoncer les garanties au nom du Fabricant et aucune déclaration, garantie ou autre document énoncé par une tierce partie ne saurait engager la responsabilité du Fabricant.

Le Fabricant rejette toute responsabilité pour tout dommage causé par ou en relation avec :

1. toute mauvaise utilisation ou négligence du chauffe-eau, tout accident subi par le chauffe-eau, toute modification du chauffe-eau ou tout autre usage non prévu,
2. les calamités naturelles ou toute autre circonstance sur laquelle le fabricant n'a aucun contrôle,
3. l'installation du chauffe-eau autre que conformément aux directives du fabricant et autre que conformément

- aux codes de la construction en vigueur,
4. le non-respect des procédures d'entretien du chauffe-eau ou l'utilisation du chauffe-eau non conformes aux directives du fabricant,
5. l'utilisation du chauffe-eau avec une pression d'eau irrégulière ou dans le cas où le chauffe-eau serait alimenté en eau non potable pour toute durée que ce soit,
6. une installation incorrecte ou l'utilisation de matériaux incorrects par un installateur et sans relation avec les vices de fabrication ou de matériel du fabricant,
7. déplacer le Chauffe-eau de son lieu d'installation d'origine;
8. l'exposition au gel,
9. problèmes de qualité de l'eau comme l'eau corrosive, l'eau dure et de l'eau contaminée par des polluants ou des additifs,

Si le Propriétaire désire renvoyer le Chauffe-eau au Fabricant pour qu'il soit réparé ou remplacé dans le cadre de cette Garantie, le Propriétaire doit d'abord obtenir l'autorisation écrite du Fabricant. Le Propriétaire doit apporter la preuve d'achat, y compris la date d'achat, et sera responsable de tous les frais de transport et de dépose. Si le Propriétaire ne peut pas apporter la preuve de la date d'achat, cette Garantie sera limitée à la période commençant à la date de fabrication estampée sur le Chauffe-eau. Le Fabricant se réserve le droit de rejeter toute couverture de la Garantie à la suite d'une inspection du Chauffe-eau par le Fabricant. Cette Garantie ne s'applique qu'au propriétaire et ne peut pas être transférée.

Certains États et Provinces n'autorisent pas l'exclusion ou la limitation de certaines garanties. Dans ce cas, les limites ci-mentionnées peuvent ne pas s'appliquer au propriétaire. Dans ce cas, la Garantie sera limitée à la période la plus courte et aux dommages et intérêts les plus faibles autorisés par la loi. Cette garantie vous octroie des droits légaux spécifiques. Il est toutefois possible que vous ayez d'autres droits en fonction de votre juridiction.

Le Propriétaire sera responsable de tous les frais de main-d'œuvre et autres encourus lors de la dépose ou de la réparation du Chauffe-eau sur le chantier. Veuillez également noter que le Chauffe-eau doit être installé de sorte qu'en cas de fuite, l'eau qui s'écoule doit couler de façon à ne pas endommager l'endroit où il est installé.

## Environnement et recyclage

Veuillez nous aider à protéger l'environnement en mettant les matériaux d'emballage au rebut conformément aux règlements nationaux relatifs au traitement des déchets.

Cette garantie n'est valide que pour le Canada et les États-Unis. Les garanties varient en fonction du pays. Veuillez vous adresser à votre représentant local Stiebel Eltron pour plus de détails sur la garantie s'appliquant à votre pays.



**L'installation, le branchement électrique et la première mise en route de cet appareil doivent être exécutés par un prestataire qualifié.**



**La société rejette toute responsabilité pour toute défaillance du produit livré qui n'aurait pas été installé et mis en route conformément aux directives du fabricant.**

**North, Central and South America  
United States of America**

STIEBEL ELTRON, Inc.  
17 West Street | West Hatfield MA 01088  
Tel. 413-247-3380 | Fax 413-247-3369  
info@stiebel-eltron-usa.com  
www.stiebel-eltron-usa.com



Subject to errors and technical changes!

**STIEBEL ELTRON**

A 164753-40474-9330