

INSTALLATION INSTRUCTIONS WITH OUTLET BOX

WARNING:

- This fixture is intended for installation in accordance with the National Electric Code (NEC) and all local code specifications.
- Supply wires are not intended for use through or concealed behind walls, floors, or ceilings.
- The LED light output is strong enough to injure human eyes. Precautions must be taken to prevent looking directly at LED's with unaided eyes for more than a few seconds.

DIMMING: This LED fixture is compatible with standard incandescent dimmers, LED dimmers, and electronic low voltage dimmers. For optimal performance, an electronic low voltage dimmer should be used.

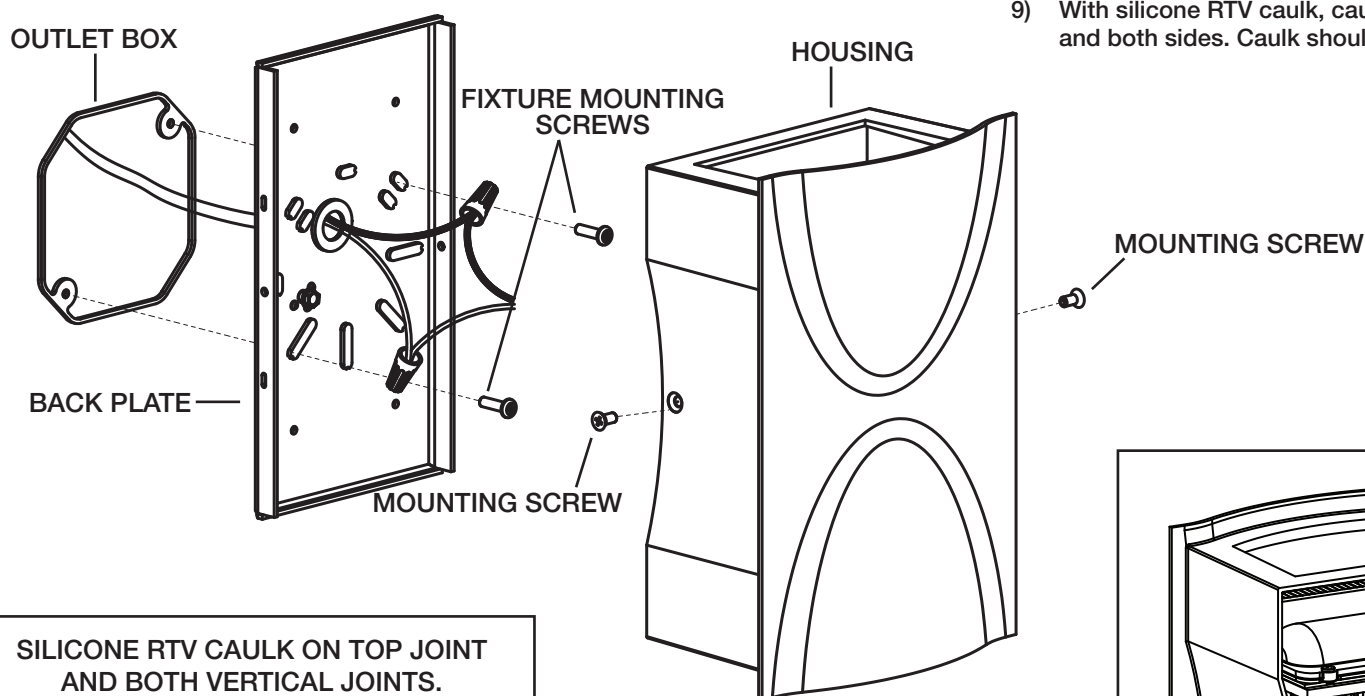
- 1) Read and understand all instructions and illustrations completely before proceeding with assembly and installation of fixture.
- 2) If you have any doubts about how to install this fixture, or if the fixture fails to operate completely, please contact a qualified electrician.
- 3) All parts must be used as indicated in the instructions. Do not substitute any parts, leave parts out, or use any parts that are worn or broken. Failure to obey this instruction could invalidate the UL listing, C.S.A. certification, and/or ETL listing of this fixture.
- 4) Fixture is to be connected to a single branch circuit.

1) TURN OFF POWER.

IMPORTANT: Before you start, NEVER attempt any work without shutting off the electricity until the work is done.

- a) Go to the main fuse, or circuit breaker, box in your home. Place the main power switch in the "OFF" position.
 - b) Unscrew the fuse(s), or switch "OFF" the circuit breaker switch(s), that control the power to the fixture or room that you are working on.
 - c) Place the wall switch in the "OFF" position. If the fixture to be replaced has a switch or pull chain, place those in the "OFF" position.
- 2) At the center of the back plate are knockout slots. Remove the set that matches your outlet box.
 - 3) Mounting surface should be clean, dry, flat and 1/4" larger than the fixture housing surface.
 - 4) Secure the back plate to the outlet box using screws provided. Pass building supply wires (including ground wire) through 1/2" dia. clearance hole before installing back plate to junction box.

ILLUSTRATION A



SILICONE RTV CAULK ON TOP JOINT AND BOTH VERTICAL JOINTS. SEE STEP #9

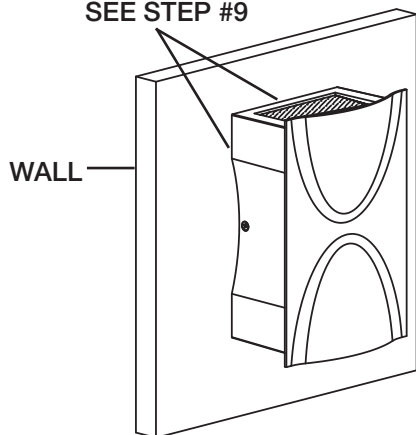
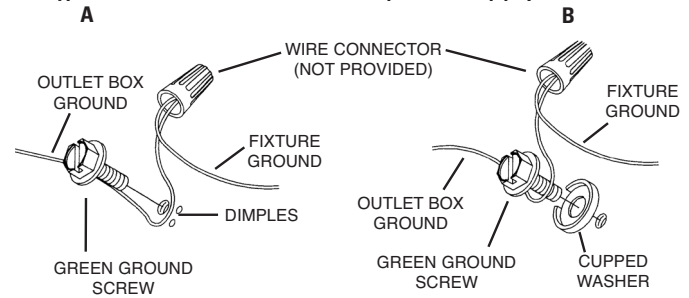


FIGURE 1

- 5) Grounding instructions: (See Illus. A or B).
 - A) On fixtures where mounting strap is provided with a hole and two raise dimples. Wrap ground wire from outlet box around green ground screw, and thread into hole.
 - B) On fixtures where a cupped washer is provided. Put ground wire from outlet box under cupped washer and green ground screw and thread screw into hole in mounting strap.

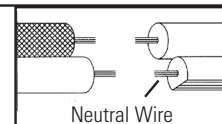
If fixture is provided with ground wire. Connect fixture ground wire to outlet box ground wire with wire connector, (not provided) after following the above steps. Never connect ground wire to black or white power supply wires.



- 6) Make wire connections. Building supply wires and all connections must remain between the circuit board brackets as shown in figure 2. Reference chart below for correct connections and wire accordingly.

Connect Black or Red Supply Wire to:	Connect White Supply Wire to:
Black	White
*Parallel cord (round & smooth)	*Parallel cord (square & ridged)
Clear, Brown, Gold or Black without tracer	Clear, Brown, Gold or Black with tracer
Insulated wire (other than green) with copper conductor	Insulated wire (other than green) with silver conductor

*Note: When parallel wires (SPT I & SPT II) are used. The neutral wire is square shaped or ridged and the other wire will be round in shape or smooth (see illus.)



- 7) Any gaps in the mounting surface exceeding 3/16" should be corrected as required.
- 8) Install housing onto back plate. Care must be taken not to pull on or pinch LED supply wires. Secure using two #8 flat head screws provided. Note the fixture orientation label on the housing. Housing is to be orientated with the fixture drain hole on the bottom. See fig. 2.
- 9) With silicone RTV caulk, caulk completely around the housing/wall joint on the top and both sides. Caulk should not be applied to the bottom joint (see figure 1).

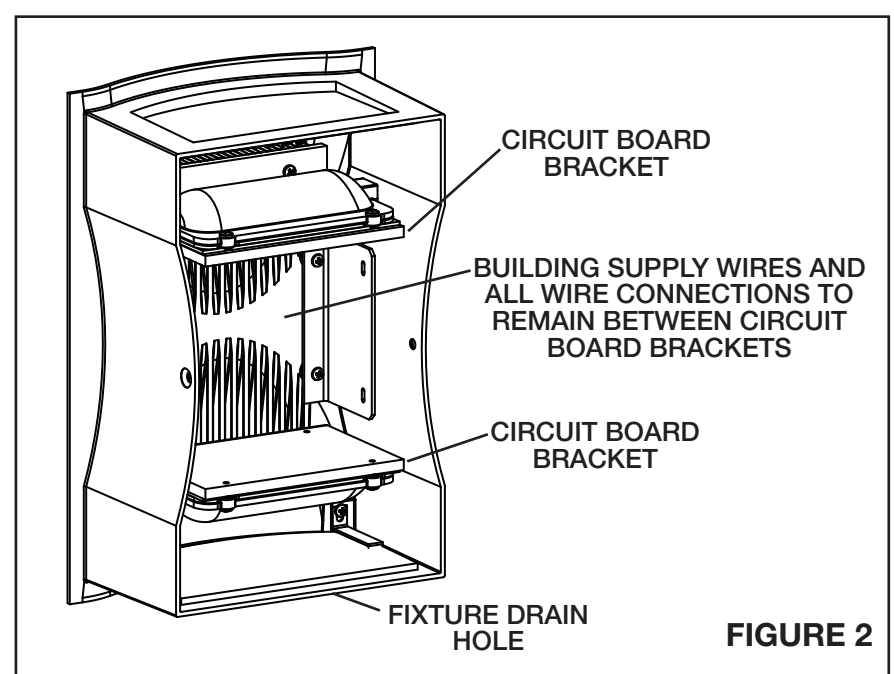


FIGURE 2

This device complies with part 15 of the FCC Rules. Operation is subject to the following two conditions: (1) This device may not cause harmful interference, and (2) this device must accept any interference received, including interference that may cause undesired operation.

Note: This equipment has been tested and found to comply with the limits for a Class B digital device, pursuant to part 15 of the FCC Rules. These limits are designed to provide reasonable protection against harmful interference in a residential installation. This equipment generates, uses and can radiate radio frequency energy and, if not installed and used in accordance with the instructions, may cause harmful interference to radio communications. However, there is no guarantee that interference will not occur in a particular installation. If this equipment does cause harmful interference to radio or television reception, which can be determined by turning the equipment off and on, the user is encouraged to try to correct the interference by one or more of the following measures:

- Reorient or relocate the receiving antenna.
- Increase the separation between the equipment and receiver.
- Connect the equipment into an outlet on a circuit different from that to which the receiver is connected.
- Consult the dealer or an experienced radio/TV technician for help.

See other side of page
for Installation Instructions without Outlet Box

INSTALLATION INSTRUCTIONS WITHOUT OUTLET BOX

WARNING:

- This fixture is intended for installation in accordance with the National Electric Code (NEC) and all local code specifications.
- Supply wires are not intended for use through or concealed behind walls, floors, or ceilings.
- The LED light output is strong enough to injure human eyes. Precautions must be taken to prevent looking directly at LED's with unaided eyes for more than a few seconds.

DIMMING: This LED fixture is compatible with standard incandescent dimmers, LED dimmers, and electronic low voltage dimmers. For optimal performance, an electronic low voltage dimmer should be used.

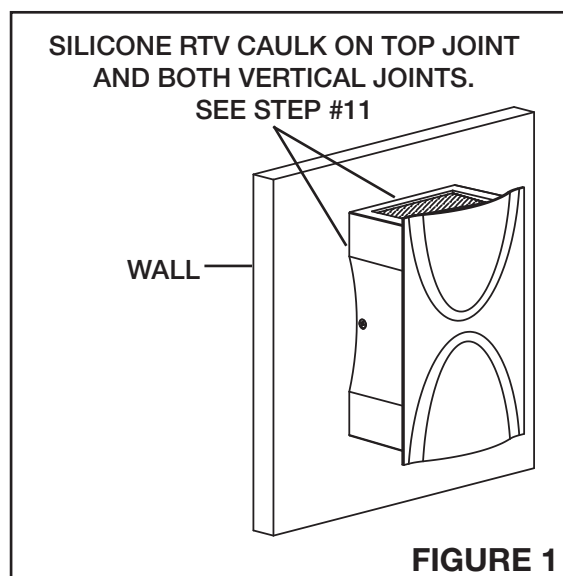
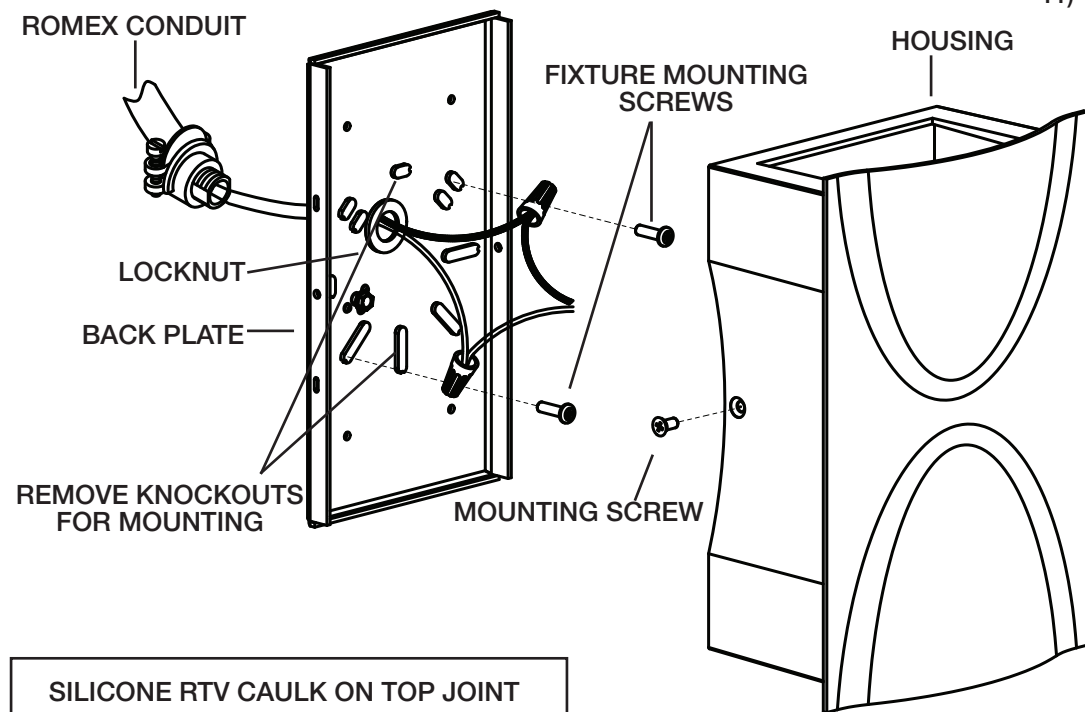
- 1) Read and understand all instructions and illustrations completely before proceeding with assembly and installation of fixture.
- 2) If you have any doubts about how to install this fixture, or if the fixture fails to operate completely, please contact a qualified electrician.
- 3) All parts must be used as indicated in the instructions. Do not substitute any parts, leave parts out, or use any parts that are worn or broken. Failure to obey this instruction could invalidate the UL listing, C.S.A. certification, and/or ETL listing of this fixture.
- 4) Fixture is to be connected to a single branch circuit.

1) TURN OFF POWER.

IMPORTANT: Before you start, NEVER attempt any work without shutting off the electricity until the work is done.

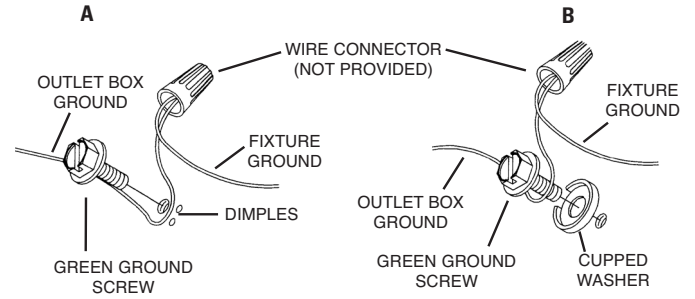
- a) Go to the main fuse, or circuit breaker, box in your home. Place the main power switch in the "OFF" position.
 - b) Unscrew the fuse(s), or switch "OFF" the circuit breaker switch(s), that control the power to the fixture or room that you are working on.
 - c) Place the wall switch in the "OFF" position. If the fixture to be replaced has a switch or pull chain, place those in the "OFF" position.
- 2) At the center of the back plate is a hole, remove the 7/8" diameter knockout.
 - 3) At the center of the back plate are knockout slots. Remove the top and bottom knockouts.
 - 4) Run wire from Romex /conduit through 7/8" diameter hole and secure in place with locknut.
 - 5) Mounting surface should be clean, dry, flat and 1/4" larger than the fixture housing surface.
 - 6) Anchor the back plate to the wall using wood screws, toggle bolts, plastic anchors, etc. (not provided).

ILLUSTRATION B



- 7) Grounding instructions: (See Illus. A or B).
 - A) On fixtures where mounting strap is provided with a hole and two raised dimples. Wrap ground wire from outlet box around green ground screw, and thread into hole.
 - B) On fixtures where a cupped washer is provided. Put ground wire from outlet box under cupped washer and green ground screw and thread screw into hole in mounting strap.

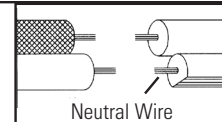
If fixture is provided with ground wire. Connect fixture ground wire to outlet box ground wire with wire connector, (not provided) after following the above steps. Never connect ground wire to black or white power supply wires.



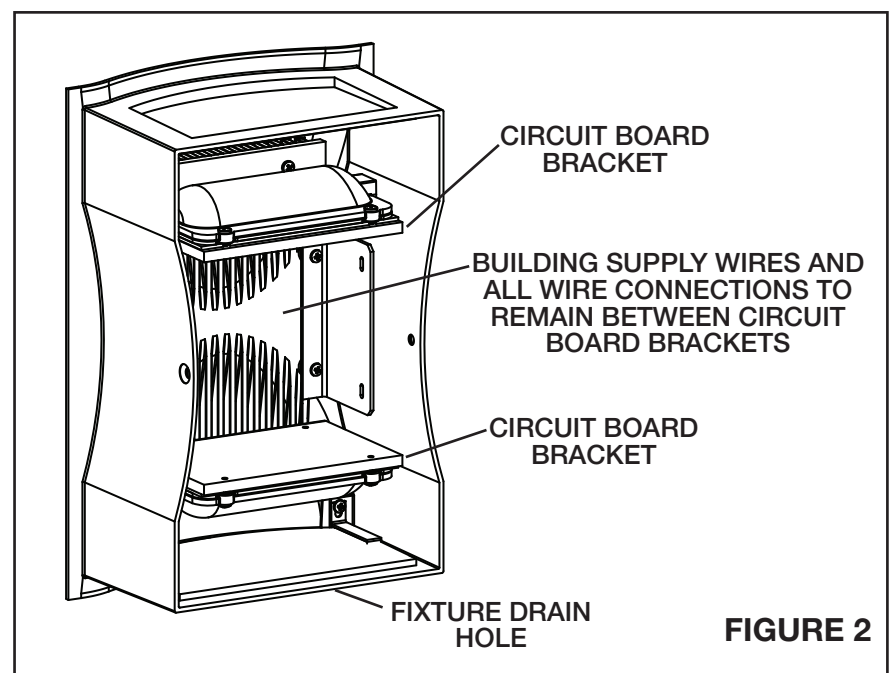
- 8) Make wire connections. Building supply wires and all connections must remain between the circuit board brackets as shown in figure 2. Reference chart below for correct connections and wire accordingly.

Connect Black or Red Supply Wire to:	Connect White Supply Wire to:
Black	White
*Parallel cord (round & smooth)	*Parallel cord (square & ridged)
Clear, Brown, Gold or Black without tracer	Clear, Brown, Gold or Black with tracer
Insulated wire (other than green) with copper conductor	Insulated wire (other than green) with silver conductor

*Note: When parallel wires (SPT I & SPT II) are used. The neutral wire is square shaped or ridged and the other wire will be round in shape or smooth (see illus.)



- 9) Any gaps in the mounting surface exceeding 3/16" should be corrected as required.
- 10) Install housing onto back plate. Care must be taken not to pull on or pinch LED supply wires. Secure using two #8 flat head screws provided. Note the fixture orientation label on the housing. Housing is to be orientated with the fixture drain hole on the bottom. See fig. 2.
- 11) With silicone RTV caulk, caulk completely around the housing/wall joint on the top and both sides. Caulk should not be applied to the bottom joint (see figure 1).



This device complies with part 15 of the FCC Rules. Operation is subject to the following two conditions: (1) This device may not cause harmful interference, and (2) this device must accept any interference received, including interference that may cause undesired operation.

Note: This equipment has been tested and found to comply with the limits for a Class B digital device, pursuant to part 15 of the FCC Rules. These limits are designed to provide reasonable protection against harmful interference in a residential installation. This equipment generates, uses and can radiate radio frequency energy and, if not installed and used in accordance with the instructions, may cause harmful interference to radio communications. However, there is no guarantee that interference will not occur in a particular installation. If this equipment does cause harmful interference to radio or television reception, which can be determined by turning the equipment off and on, the user is encouraged to try to correct the interference by one or more of the following measures:

- Reorient or relocate the receiving antenna.
- Increase the separation between the equipment and receiver.
- Connect the equipment into an outlet on a circuit different from that to which the receiver is connected.
- Consult the dealer or an experienced radio/TV technician for help.

See other side of page
for Installation Instructions with Outlet Box