

# Assembly Instruction Sheet #IS-BRX1619C

## For Style BRX1619C

Quozel, Inc.  
 6 Corporate Parkway  
 Goose Creek, SC  
 29445

Customer Service  
 Phone 631.273.2700  
 Fax 631.231.7102  
 www. quozel. com

**Tools Required:** Flathead screwdriver, Phillips screwdriver, pliers, wire cutters, wire strippers, electrical tape, safety glasses.

**Bulb Recommended:** (5) G9 Base clear G9 Xenon bulb, 40W Maximum

**Estimated Assembly Time:** 20-30 minutes

**Preparation:** Identify and inspect all parts before beginning installation. Check package content list and diagrams below to be sure all parts are present. If any parts are missing or damaged, do not attempt to assemble, install, or operate the fixture. Contact customer service for replacement parts.

### Warnings and Cautions

Turn off electricity at circuit breaker or main fuse box before installation. Consult a licensed electrician if in doubt.

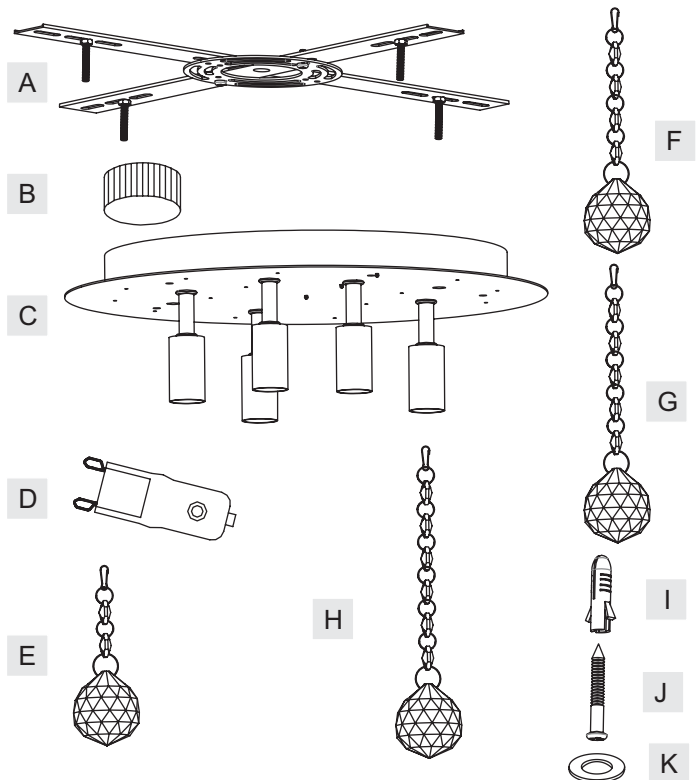
These instructions are provided for your safety. It is very important you read them completely before installing the fixture. We strongly recommend that a licensed, professional electrician perform the installation.

Disconnect fixture from power source before replacing bulbs. Make sure bulbs are given sufficient time to cool before removal. Do not subject glass parts to any shock while in operation or shattering June result.

Do not touch the bulb with bare hands use a cloth or glove.

## Package Contents

Part	Description	Quantity
A	Crossbar	1 pc.
B	Mounting Ball	4 pcs.
C	Fixture Body	1 pc.
D	Bulb	5 pcs.
E	Crystal 3.63"L Part A	18 pcs.
F	Crystal 5"L Part B	12 pcs.
G	Crystal 5.63"L Part C	6 pcs.
H	Crystal 6.25"L Part D	1 pc.
I	Wall Anchor	4 pcs.
J	Self-tapping Screw	4 pcs.
K	Washer	4 pcs.

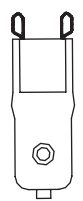
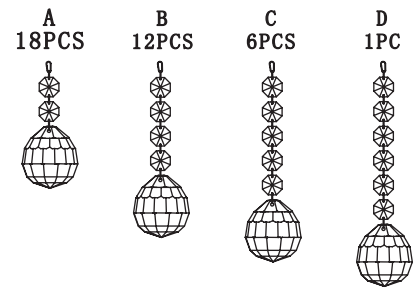
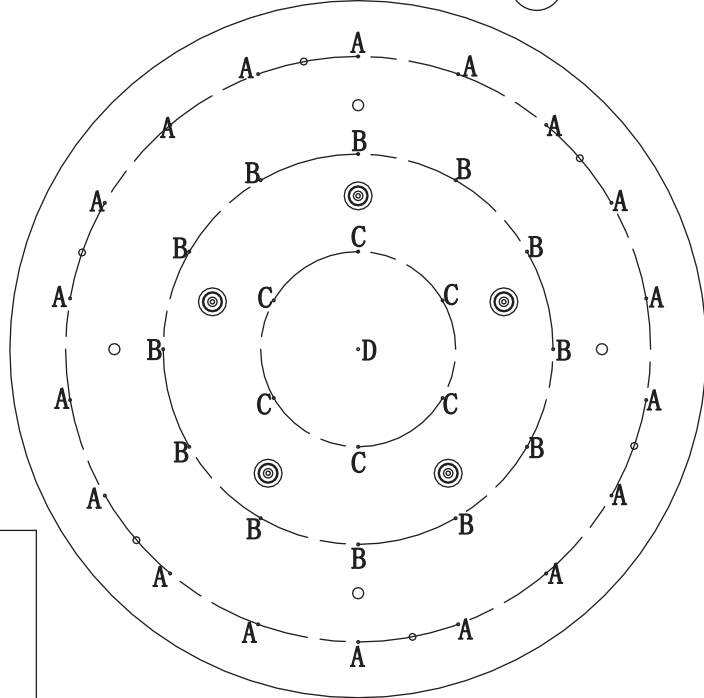
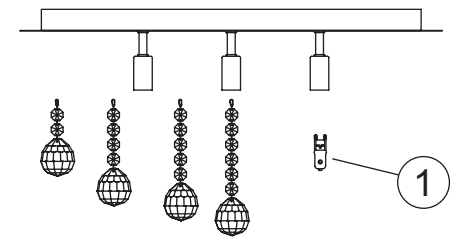
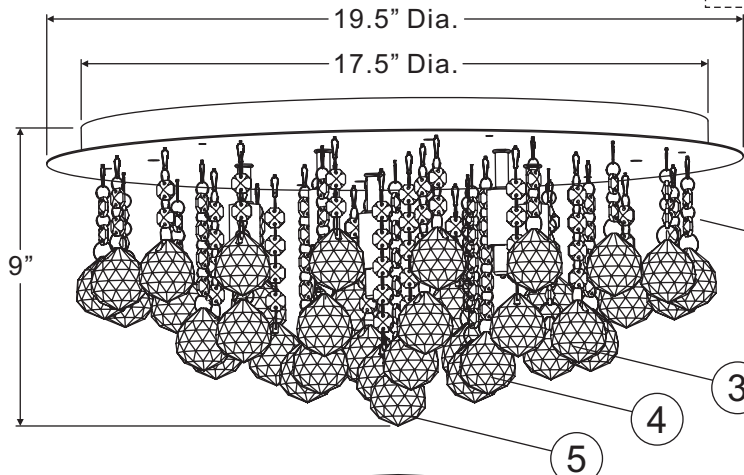
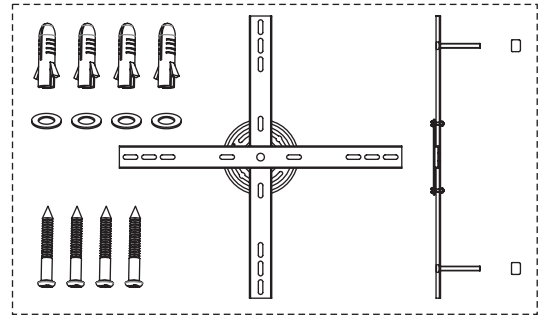


**Thank you for purchasing a Quozel product.**

**Need assistance with parts or assembly? Call Quozel customer service at 1-631-273-2700  
 or visit us on-line at [www. quozel. com](http://www. quozel. com)**

BRX1619C

FINISH: POLISHED CHROME



(5) 40W Maximum clear G9 Xenon (Supplied)

NOTE: ALL DIMENSIONS ARE ROUNDED UP TO THE NEAREST 1/2"

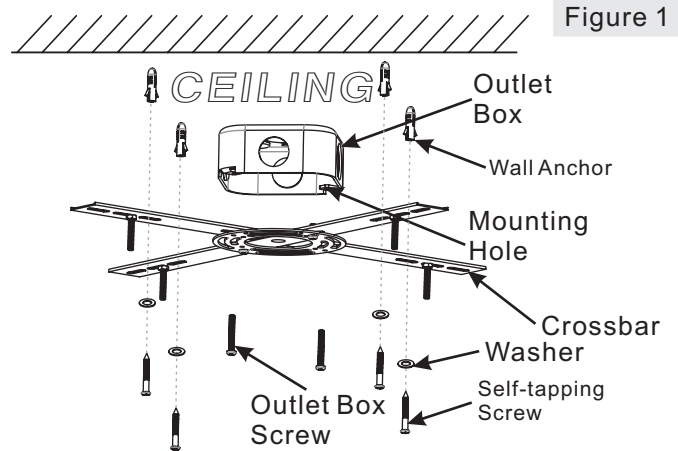
NO.	PART NUMBER	REPLACEMENT PART DESCRIPTION	REQ.
1	I1202SC	BULB 40W XENON G9 CLEAR	5
2	G3772CR	DECORATIVE CRYSTAL BALL 3.63"L PART "A"	18
3	G3773CR	DECORATIVE CRYSTAL BALL 5"L PART "B"	12
4	G3774CR	DECORATIVE CRYSTAL BALL 5.63"L PART "C"	6
5	G3775CR	DECORATIVE CRYSTAL BALL 6.25"L PART "D"	1

# Assembly Instruction Sheet #IS-BRX1619C

## For Style BRX1619C

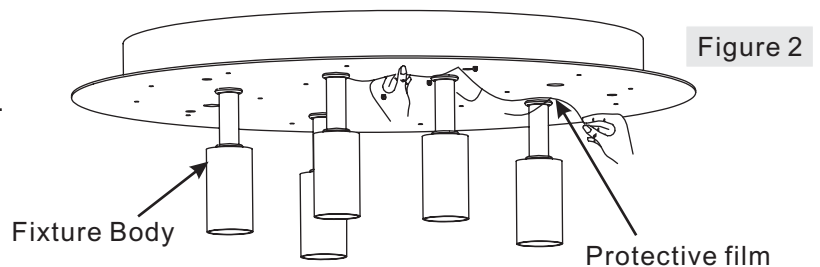
### STEP 1 – Attach Inner Backplate to Outlet Box

- Place the Crossbar (A) onto the ceiling and line up one set of holes onto mounting holes on Outlet Box. Using a pencil, mark the locations for Wall Anchors (I).
- Remove the Crossbar (A) and drill holes from the marks and then push the Wall Anchors (I) into the holes.
- Position the Crossbar (A) back onto the Ceiling. Thread the Outlet Box Screws (not supplied) into the mounting holes on the Outlet Box to secure it. Hand tighten until snug.
- Pass the Washers (K) over the Self-tapping screws (J) and then thread the self-tapping screws (J) into the Wall Anchors (I). Hand tighten until snug.



### STEP 2 – Remove the Protective film

- Remove the Protective Film for Fixture Body (C).



### STEP 3 – Make Wire Connections

- Use standard wire connectors to make all wire connections. (Connectors are not included with fixture.) Strip and prepare wire ends according to instructions supplied with connectors.
- Connect White Supply Wire from the Outlet Box to White Wire from fixture.
- Connect Black (or Red) Supply Wire from the Outlet Box to Black Wire from fixture.
- Connect Ground Wire from the Outlet Box to Ground Wire from fixture.
- Twist connectors until wires are tightly joined together.
- Wrap each connection with approved electrical tape and carefully stuff all the connected wires into the Outlet Box.

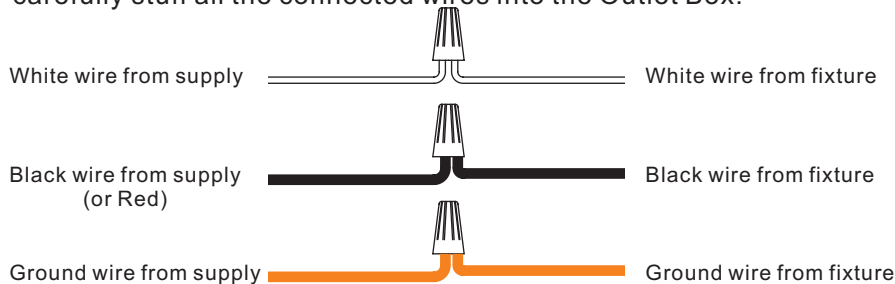
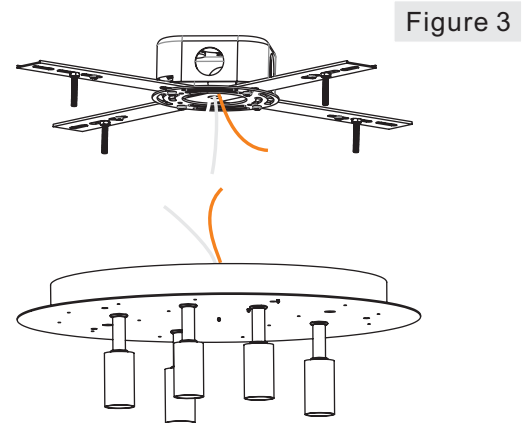
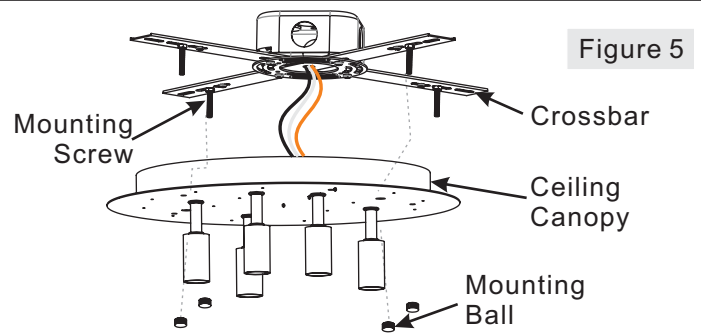


Figure 4

**Thank you for purchasing a Quozel product.**  
**Need assistance with parts or assembly? Call Quozel customer service at 1-631-273-2700**  
**or visit us on-line at [www. quozel. com](http://www. quozel. com)**

### STEP 4 – Attach Ceiling Canopy to Mounting Screw

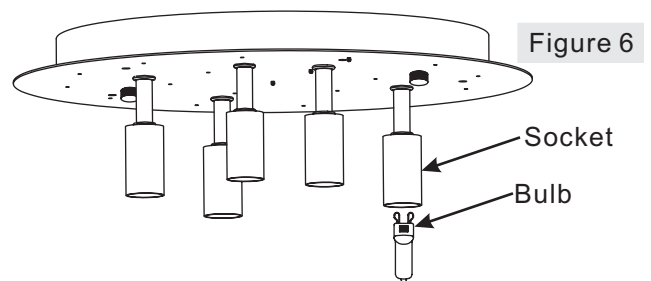
- A. Place the Ceiling Canopy over the Mounting Screws and secure with Mounting Balls (B). Hand tighten until snug.



### STEP 5 – Install Bulb

- A. This fixture uses Frosted G9 Xenon Bulbs. Maximum 40 watts.  
B. Insert bulb and seat properly into place.

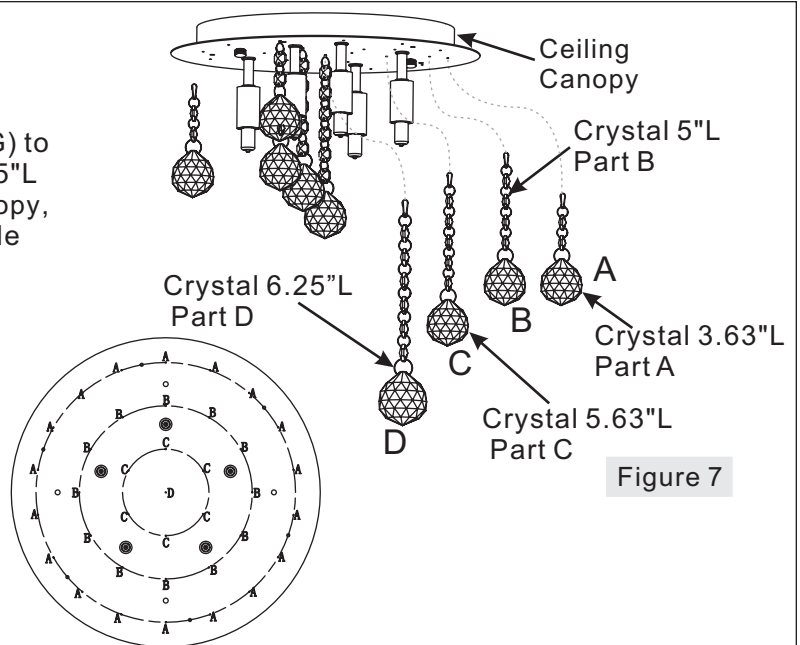
**IMPORTANT:** Do not touch the bulb with bare hands use a cloth or glove.



### STEP 6 – Install Crystal to Fixture

- A. Insert Crystal 6.25"L Part D (H) to the hole on the center of Ceiling Canopy, Crystal 5.63"L Part C (G) to the hole on the ring C of Ceiling Canopy, Crystal 5"L Part B (F) to the hole on the ring B of Ceiling Canopy, Crystal 3.63"L Part A (E) to the hole on the outside ring of Ceiling Canopy.

Your fixture is now assembled and ready to use.  
Enjoy!



### CAUTION FOR BULB REPLACING

- A. When replace bulb, turn off power and allow lamp to cool. For safety purpose, wear gloves and eye protection.  
B. If bulb is scratched or cracked, DO NOT use the lamp to avoid breakage during use or installation.  
C. Use only in fixtures rated for lamps wattage and voltage.  
D. Lamp operate under high pressure generating intense heat. Prevent contact with liquid and combustible materials.

Thank you for purchasing a Quozel product.  
Need assistance with parts or assembly? Call Quozel customer service at 1-631-273-2700  
or visit us on-line at [www. quozel. com](http://www. quozel. com)