

Quoizel, Inc.
 6 Corporate Parkway
 Goose Creek, SC 29445

Customer Service
 Phone 631.273.2700
 Fax 631.231.7102
 www. quozel. com

Tools Required: None

Bulb Recommended: (1) Medium Base (3-Way) 150W Maximum, Alternate bulb (1) CFL (3-Way)

Estimated Assembly Time: 15-20 minutes

Preparation: Identify and inspect all parts before beginning installation. Check package content list and diagrams below to be sure all parts are present. If any parts are missing or damaged, do not attempt to assemble, install, or operate the fixture. Contact customer service for replacement parts.

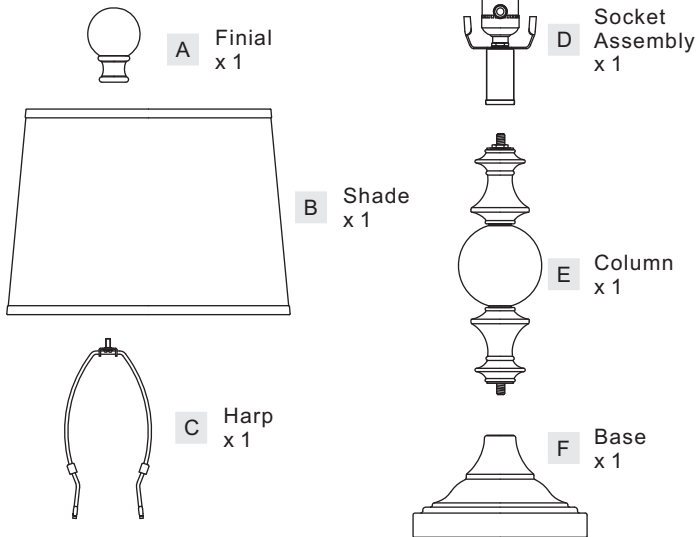
⚠ Warnings and Cautions

Turn off electricity at circuit breaker or main fuse box before installation. Consult a licensed electrician if in doubt.

These instructions are provided for your safety. It is very important you read them completely before installing the fixture. We strongly recommend that a licensed, professional electrician perform the installation.

Disconnect fixture from power source before replacing bulbs. Make sure bulbs are given sufficient time to cool before removal. Do not subject glass parts to any shock while in operation or shattering may result.

Package Contents



STEP 2 – Install Harp and Shade

- A. Install the Harp (C) by pressing the ends of the Harp (C) into the Harp Clips on the Socket Assembly (D) as shown.
- B. Place the Shade (B) onto the top end of the Harp (C). Secure by threading the Finial (A) onto the Harp (C). Hand tighten until snug.

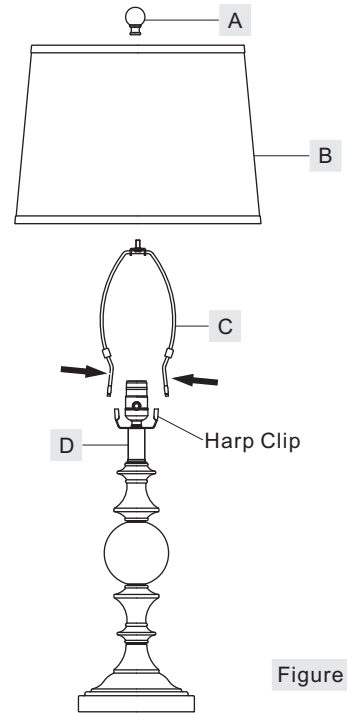


Figure 2

STEP 1 – Install Socket Assembly, Column and Base together

- A. Thread the Socket Assembly (C), Column (E) and the Base (F) together as shown. Hand tighten until snug.
- B. Pull the cord from the Base (F) as you assemble the parts together to remove the excess cord between parts.

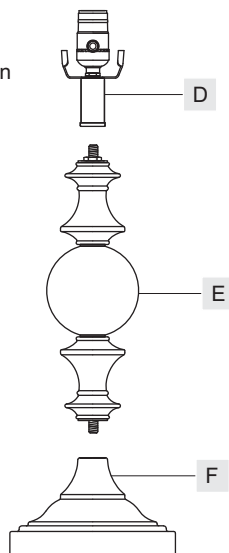


Figure 1

STEP 3 – Install Bulb

- A. This fixture uses standard bulb with medium base . Maximum 150 watts.
- B. Insert bulb and screw snugly into place.

Your fixture is now assembled and ready to use. Enjoy!

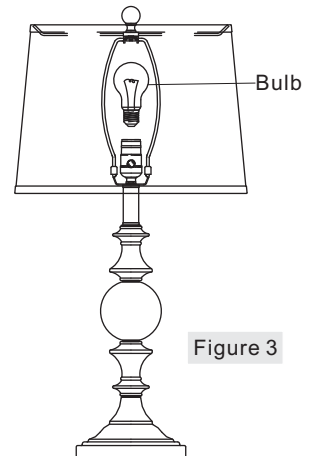
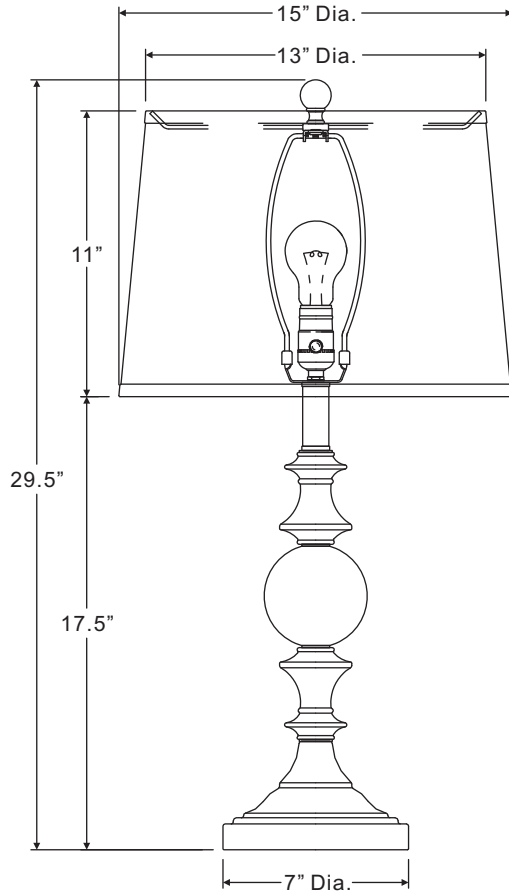


Figure 3

Thank you for purchasing a Quoizel product.
Need assistance with parts or assembly? Call Quoizel customer service at 1-631-273-2700
or visit us on-line at www. quozel. com

Q1634TPK | Q1634TPN | Q1634TBN

FINISH: POLISHED NICKEL | PALLADIAN BRONZE | BRUSHED NICKEL



(1) 150W Medium Base Bulbs (3-WAY)
(Not Supplied)

NOTE: ALL DIMENSIONS ARE ROUNDED UP TO THE NEAREST 1/2"

NO.	PART NUMBER	REPLACEMENT PART DESCRIPTION	REQ.
1			

Thank you for purchasing a Quoizel product.
Need assistance with parts or assembly? Call Quoizel customer service at 1-631-273-2700
or visit us on-line at www.quoizel.com