

Tools Required: None.

Bulb Recommended: (1) Medium Base 150W Maximum, Alternate bulb (1) 42W CFL.

Estimated Assembly Time: 20-30 minutes

Preparation: Identify and inspect all parts before beginning installation. Check package content list and diagrams below to be sure all parts are present. If any parts are missing or damaged, do not attempt to assemble, install, or operate the fixture. Contact customer service for replacement parts.

⚠ Warnings and Cautions

Turn off electricity at circuit breaker or main fuse box before installation. Consult a licensed electrician if in doubt.

These instructions are provided for your safety. It is very important you read them completely before installing the fixture. We strongly recommend that a licensed, professional electrician perform the installation.

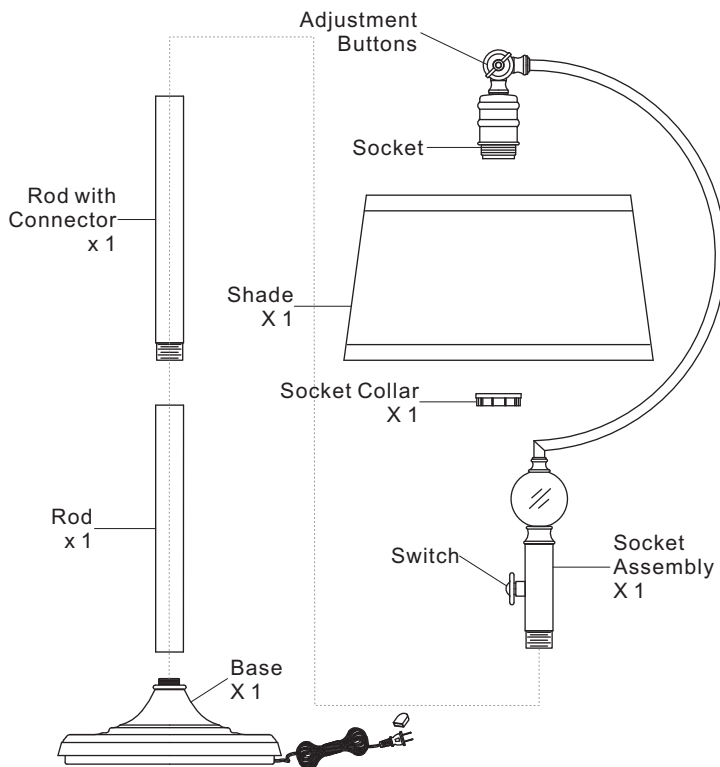
Disconnect fixture from power source before replacing bulbs. Make sure bulbs are given sufficient time to cool before removal. Do not subject glass parts to any shock while in operation or shattering may result.

INSTALLATION

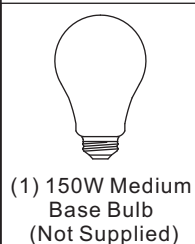
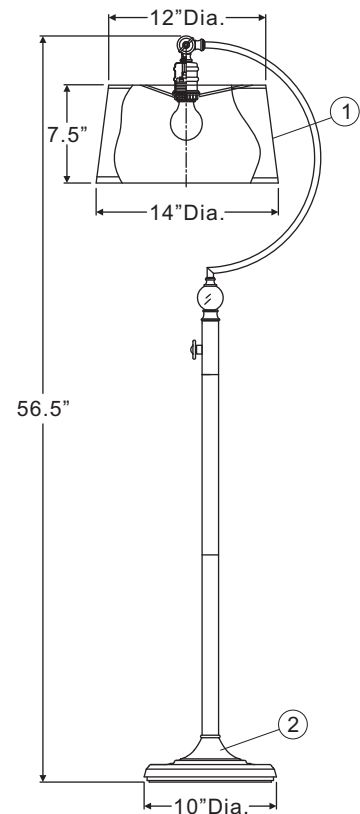
- A. Attach Socket Assembly, Rod with Connector, Rod and Base together. Hand tighten until snug. Pull the cord from the Base as you assemble the parts together to remove the excess cord between parts.
- B. Place Shade over the Socket, secure by threading Socket Collar onto the Socket, hand tighten until snug.
- C. This fixture uses standard bulb with medium base . Maximum 150 watts. Insert bulb and screw snugly into place.
- D. Adjust the Shade to proper location by adjust the Adjustment Buttons.

Your fixture is now assembled and ready to use. Enjoy!

Note: Light the bulb by rotating the switch on the rod at the bottom end of the socket assembly as shown.



Q1893FOI/Q1893FPK
 FINISH: OIL RUBBED BRONZE
 POLISHED NICKEL



NOTE: ALL DIMENSIONS ARE ROUNDED UP TO THE NEAREST 1/2"

NO.	PART NUMBER	REPLACEMENT PART DESCRIPTION	REQ.	STYLE NUMBER
1	S1756CL	SHADE	1	Q1893FOI
2	11893FOIQ	BASE	1	
1	S1757WL	SHADE	1	Q1893FPK
2	11893FPKQ	BASE	1	

Thank you for purchasing a Quoizel product.
 Need assistance with parts or assembly? Call Quoizel customer service at 1-631-273-2700
 or visit us on-line at www. quozel. com