

ASSEMBLY/INSTALLATION INSTRUCTIONS

ILLUSTRATION A

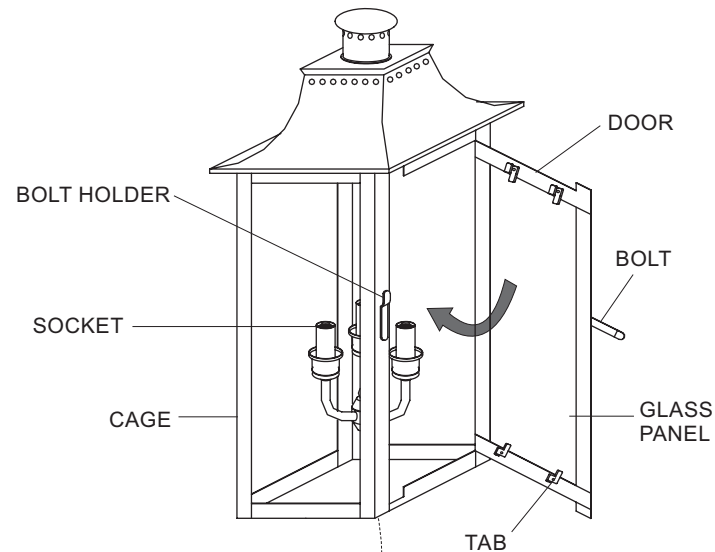
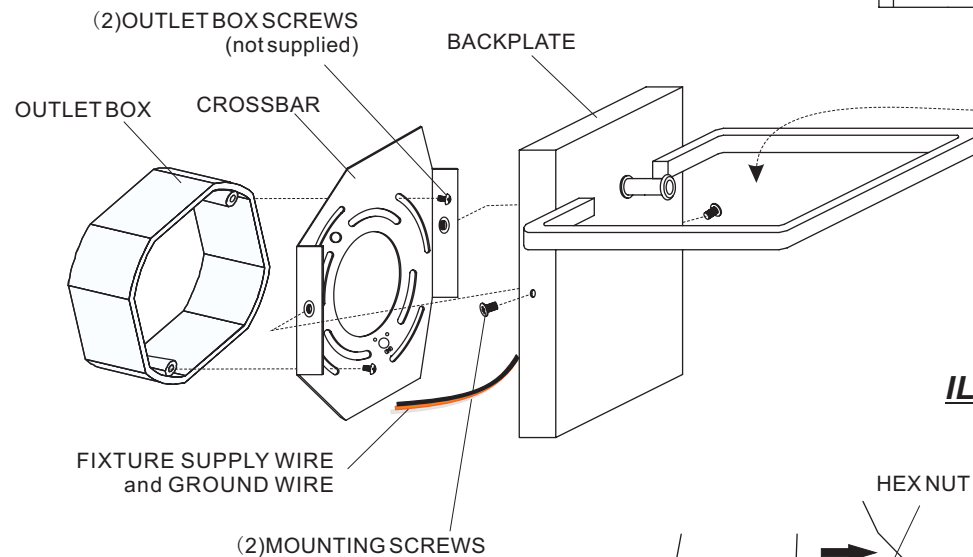
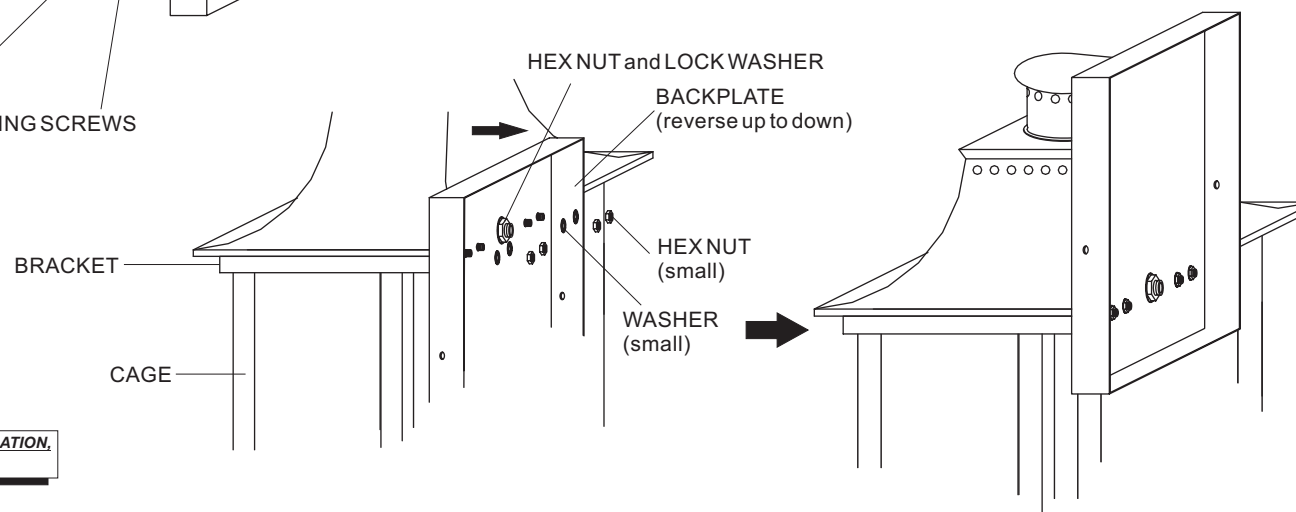


ILLUSTRATION B



Note: If you find any Tabs do not engage Glass Panels well during assembly, please push the Tabs until they are attaching onto the Glass Panels.

1. Before beginning the installation, carefully unpack and identify all parts, referring to illustration.
2. Turn the electrical power to installation point OFF at circuit breaker.
3. Open the DOOR on the CAGE and install the correct bulbs referring to the fixture markings and/or labels for maximum wattage. Proceed to close the DOOR by placing the BOLT onto the BOLT HOLDER.
4. (Refer to the Illustration B) Please note that the BACKPLATE can be reversed. Remove the HEX NUTS (small) and WASHERS (small) from the back of the BACKPLATE. Loosen the HEX NUT and the LOCK WASHER. And then push the BACKPLATE as the arrow and reverse the BACKPLATE up to down. Place the STUDS back through the holes on the BACKPLATE and then thread the HEX NUTS (small) and WASHERS (small) back onto the STUDS. Hand tighten until snug. Proceed to tighten the HEX NUT and LOCK WASHER against the BACKPLATE.
5. Place the CROSSBAR on the BACKPLATE and align the holes in the side of the BACKPLATE with the threaded holes in the folded edge of CROSSBAR. Next, mount the CROSSBAR to the outlet box with (2) OUTLET BOX SCREWS (not provided).
6. **Make the connections:**
Use wire connectors (not supplied) connect the HOUSE GROUND to the FIXTURE GROUND WIRE; attach the HOUSE WHITE WIRE to FIXTURE WHITE (or RIBBED SIDE) SUPPLY WIRE; connect the HOUSE BLACK (or RED) WIRE to the FIXTURE BLACK (or SMOOTH SIDE) WIRE. Wrap each connection with approved electrical tape.

7. Carefully tuck all wires into the WALL MOUNTED OUTLET BOX and position the fixture over the outlet box. Align the HOLES in the side of BACKPLATE with the (2) MOUNTING HOLES on the folded edge of the CROSSBAR. Secure them by threading (2) MOUNTING SCREWS into the MOUNTING HOLES on the folded edge. Tighten until snug.

8. Refer to Page 2 for fixture caulking installations.

9. Restore power to the installation point ON. Retain this sheet for future reference.

WALL SURFACE MOUNTED OUTDOOR FIXTURE
CAULKING INSTRUCTIONS

1. (Refer to FIGURE2) For assemble the MOUNTING BALLS, please note that you are required to apply a small amount of Silicone sealer to the threaded side of the MOUNTING BALLS and then install them onto the MOUNTING SCREWS.
2. (Refer to FIGURE1) With the OUTDOOR FIXTURE properly installed in accordance with supplied Assembly/installation instructions, proceed with caulking instructions below.

Note: Be sure EXTERIOR WALL SURFACE and FIXTURE BACKPLATE are free to dirt to caulking. Using EXTERIOR GRADE CAULK, start on one side of FIXTURE BACKPLATE and follow contour, were the FIXTURE BACKPLATE meets the EXTERIOR WALL SURFACE upward. Proceed to caulk over top of backplate and down other side. **DO NOT CAULK BOTTOM OF FIXTURE BACKPLATE** to ensure proper moisture drainage.

FIGURE1

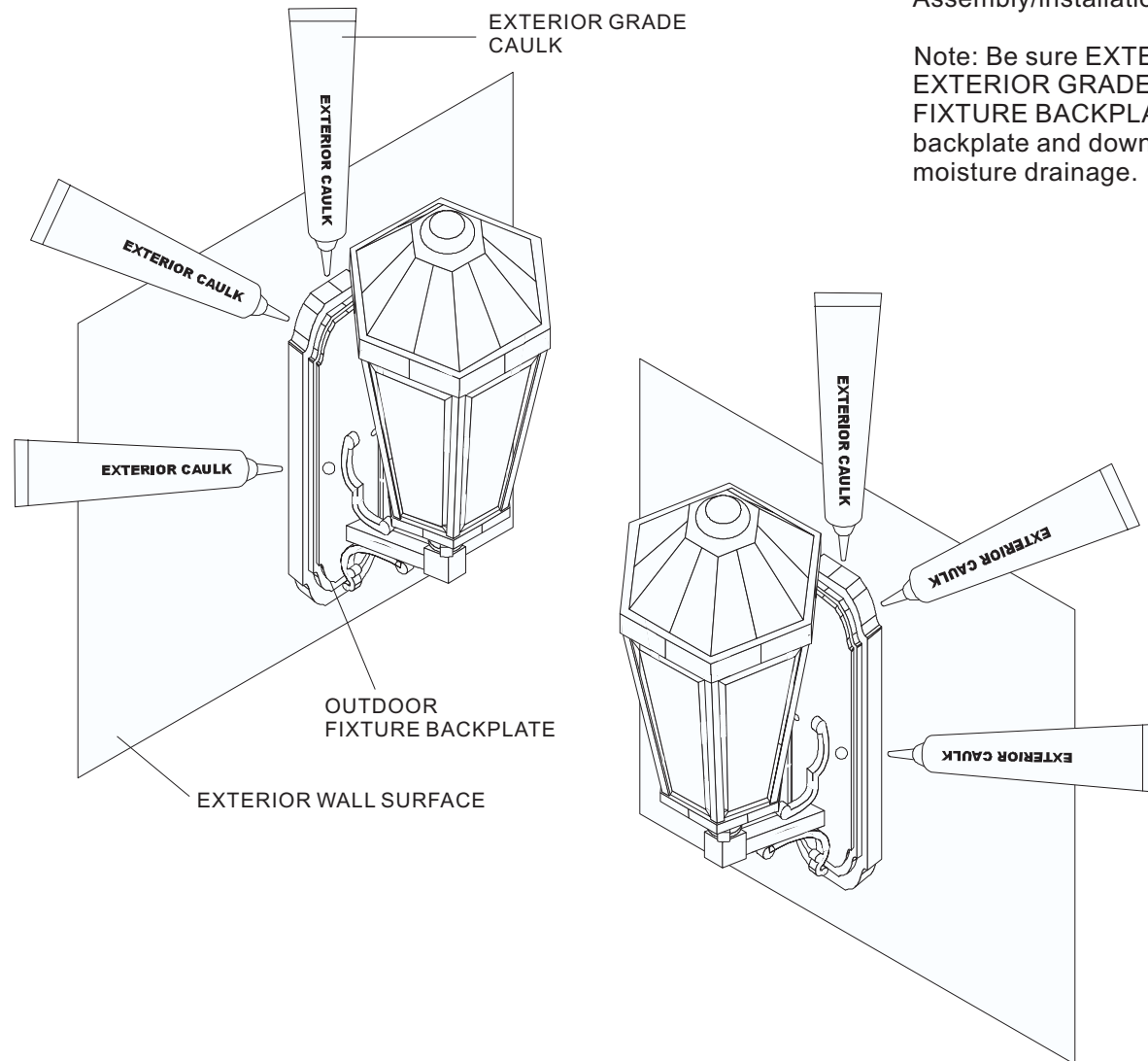


FIGURE2

