

Please go to www.quoizel.com for product cleaning tips. Go to the **Care + Maintenance** selection.

Tools Required: Flathead screwdriver, Phillips screwdriver, pliers, wire cutters, wire strippers, electrical tape, safety glasses.

Light Source: (1) A19 Medium Base 100W Maximum, Alternate bulb (1) 23W CFL

Estimated Assembly Time: 30-45 minutes

Preparation: Identify and inspect all parts before beginning installation. Check package content list and diagrams below to be sure all parts are present. If any parts are missing or damaged, do not attempt to assemble, install, or operate the fixture. Contact customer service for replacement parts.

Note: This CONVERTIBLE fixture can be mounted as pendant light or semi-flush light. Refer to respective installation steps for installations.

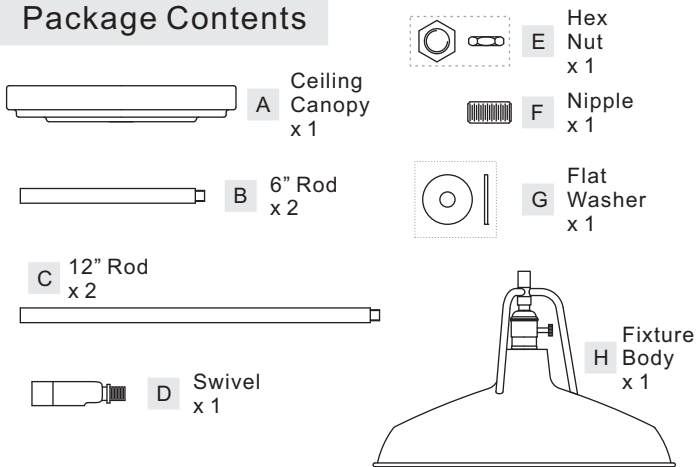
⚠ Warnings and Cautions

Turn off electricity at circuit breaker or main fuse box before installation. Consult a licensed electrician if in doubt.

These instructions are provided for your safety. It is very important you read them completely before installing the fixture. We strongly recommend that a licensed, professional electrician perform the installation.

Disconnect fixture from power source before replacing bulbs. Make sure bulbs are given sufficient time to cool before removal. Do not subject glass parts to any shock while in operation or shattering may result.

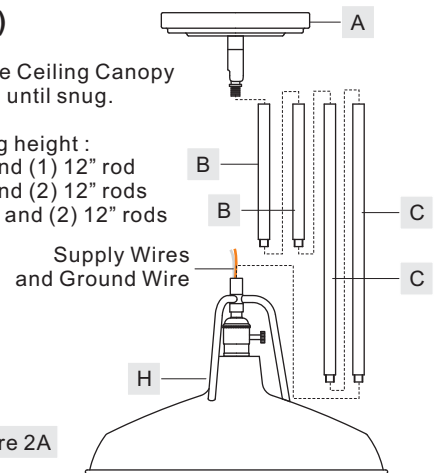
Package Contents



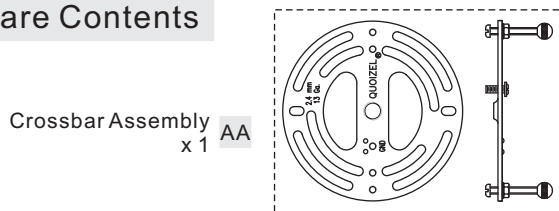
(Step 2A continued)

chosen Rods (B/C) and the Ceiling Canopy (A) together. Hand tighten until snug.

Suggested rods for Ceiling height :
 8' ceiling : use (1) 6" rod and (1) 12" rod
 9' ceiling : use (1) 6" rod and (2) 12" rods
 10' ceiling : use (2) 6" rods and (2) 12" rods

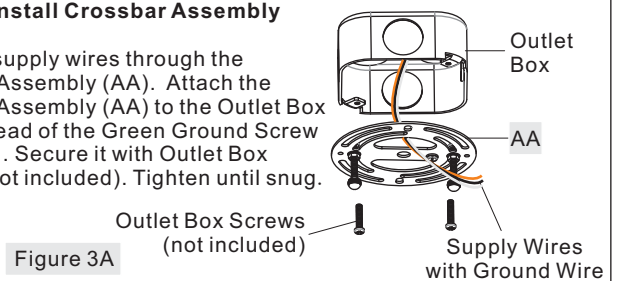


Hardware Contents



STEP 3A - Install Crossbar Assembly

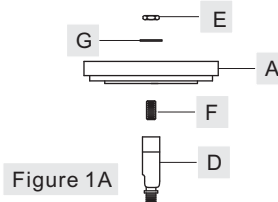
A. Pass the supply wires through the Crossbar Assembly (AA). Attach the Crossbar Assembly (AA) to the Outlet Box with the head of the Green Ground Screw facing you. Secure it with Outlet Box Screws (not included). Tighten until snug.



Assembly Instructions for Pendant Light (Step 1A - Step 7A)

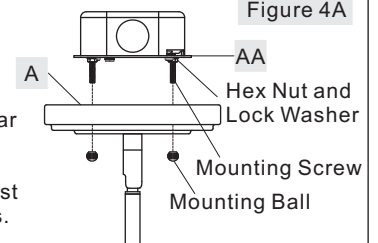
STEP 1A - Attach Swivel and Ceiling Canopy together

A. Thread Nipple (F) onto the Swivel (D).
 B. Place Ceiling Canopy (A) and Flat Washer (G) over the Nipple (F), secure by threading Hex Nut (E) onto the Nipple (F), tighten until snug.



STEP 4A - Fit Ceiling Canopy to Crossbar Assembly

A. Remove mounting balls from the Crossbar Assembly (AA). Fit the Ceiling Canopy (A) to the Crossbar Assembly (AA) and secure with mounting balls. Note: The Ceiling Canopy (A) should be snug against the ceiling and the mounting balls. If not, adjust the length of the nipple on the Crossbar Assembly (AA) by unscrewing the preassembled hex nut and lock washer and then screwing the mounting screws in or out of the crossbar until the correct length is achieved. Once the Ceiling Canopy (A) is secure, remove the mounting ball and Ceiling Canopy (A) and proceed to Step 5A.



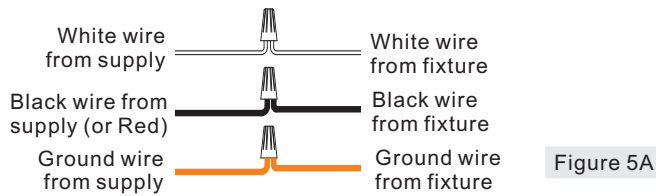
STEP 2A - Assemble the Rods and the Ceiling Canopy

A. Determine the Rods (B/C) to be assembled to the Fixture Body (H) according to your hanging height.
 B. Pass the supply wires and ground wire through the chosen rods (B/C) and the Ceiling Canopy (A). Thread the Fixture Body (H), the

Thank you for purchasing a Quoizel product.
 Need assistance with parts or assembly? Call Quoizel customer service at 1-631-273-2700
 or visit us on-line at www.quoizel.com

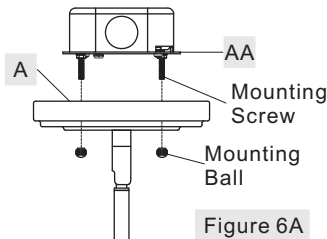
STEP 5A - Wire Connections

A. Use standard wire connectors (not included) to make all wire connections. (Connectors are not included with fixture.) Twist connectors until wires are tightly joined together. Wrap each connection with approved electrical tape and carefully stuff all the connected wires into the Outlet Box.



STEP 6A - Install Fixture Body

A. Carefully tuck all wires into the outlet box and position the Ceiling Canopy (A) over the outlet box. Align the holes in the Ceiling Canopy (A) with the mounting screws, then attach the Ceiling Canopy (A) using the previously removed mounting balls. Hand tighten until snug.



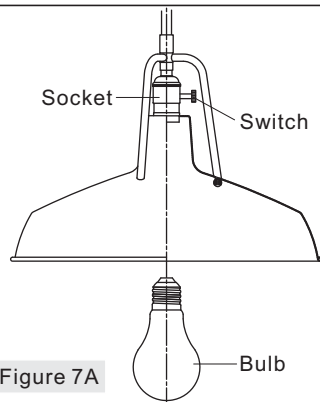
STEP 7A - Install Bulb

A. This fixture uses standard bulb with medium base. Maximum 100 watts.

B. Insert bulb and screw snugly into place.

Note: The bulb light by rotating the switch on the socket as shown.

Your fixture is now assembled and ready to use. Enjoy!

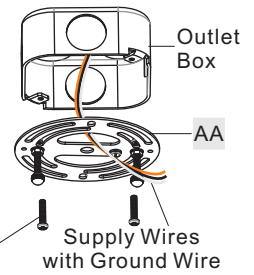


STEP 2B - Install Crossbar Assembly

A. Pass the supply wires through the Crossbar Assembly (AA). Attach the Crossbar Assembly (AA) to the Outlet Box with the head of the Green Ground Screw facing you. Secure it with Outlet Box Screws (not included). Tighten until snug.

Figure 2B

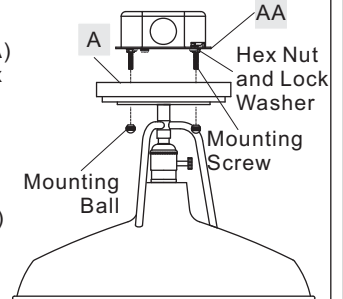
Outlet Box Screws (not included)
Supply Wires with Ground Wire



STEP 3B - Fit Ceiling Canopy to Crossbar Assembly

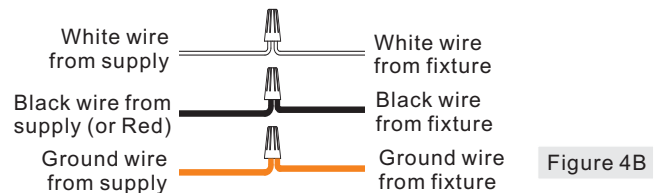
A. Remove mounting balls from the Crossbar Assembly (AA). Fit the Ceiling Canopy (A) to the Crossbar Assembly (AA) and secure with mounting balls. Note: The Ceiling Canopy (A) should be snug against the ceiling and the mounting balls. If Not, adjust the length of the nipple on the Crossbar Assembly (AA) by unscrewing the preassembled hex nut and lock washer and then screwing the mounting screws in or out of the crossbar until the correct length is achieved. Once the Ceiling Canopy (A) is secure, remove the mounting ball and Ceiling Canopy (A) and proceed to Step 4B.

Figure 3B



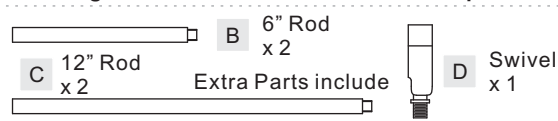
STEP 4B - Wire Connections

A. Use standard wire connectors (not included) to make all wire connections. (Connectors are not included with fixture.) Twist connectors until wires are tightly joined together. Wrap each connection with approved electrical tape and carefully stuff all the connected wires into the Outlet Box.



Assembly Instructions for Semi-flush Light (Step 1B - Step 6B)

Part B, Part C and Part D will not be used in the assembly of the Semi-Flush Light fixture. Please set aside these parts.



STEP 1B - Install Ceiling Canopy to Socket Assembly

A. Pass supply wires with ground wire through Nipple (F), Ceiling Canopy (A), Flat Washer (G) and Hex Nut (E). Thread Nipple (F) onto the Fixture Body (H). Place the Ceiling Canopy (A) and the Flat Washer (G) onto the Nipple (F). Secure by threading the Hex Nut (E) onto the Nipple (F). Hand tighten until snug. Cut the wires leaving approximately 6" of wire extending from the Ceiling Canopy.

B. Optional Swivel: Install the swivel to the Socket Assembly (H) and then attach Nipple (F) and the Ceiling Canopy (A) to the Swivel using the Flat Washer (G) and the Hex Nut (E) as in step A.

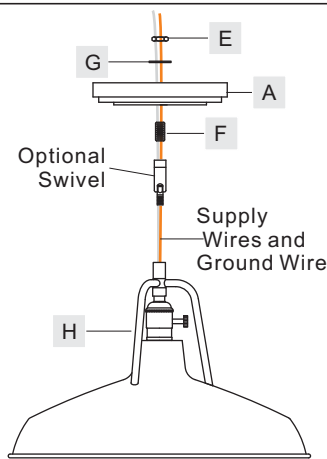
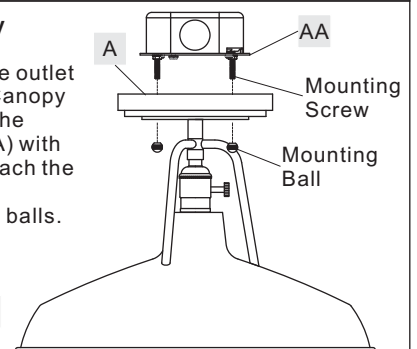


Figure 1B

STEP 5B - Install Fixture Body

A. Carefully tuck all wires into the outlet box and position the Ceiling Canopy (A) over the outlet box. Align the holes in the Ceiling Canopy (A) with the mounting screws, then attach the Ceiling Canopy (A) using the previously removed mounting balls. Hand tighten until snug.

Figure 5B



STEP 6B - Install Bulb

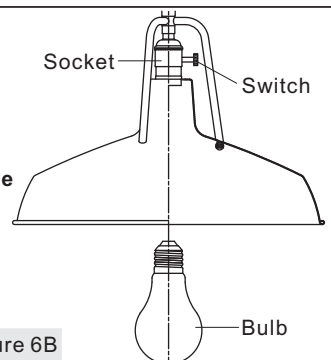
A. This fixture uses standard bulb with medium base. Maximum 100 watts.

B. Insert bulb and screw snugly into place.

Note: The bulb light by rotating the switch on the socket as shown.

Your fixture is now assembled and ready to use. Enjoy!

Figure 6B

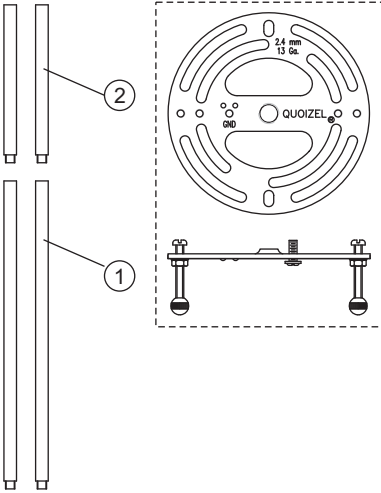


Thank you for purchasing a Quoizel product.
Need assistance with parts or assembly? Call Quoizel customer service at 1-631-273-2700
or visit us on-line at www.quoise.com

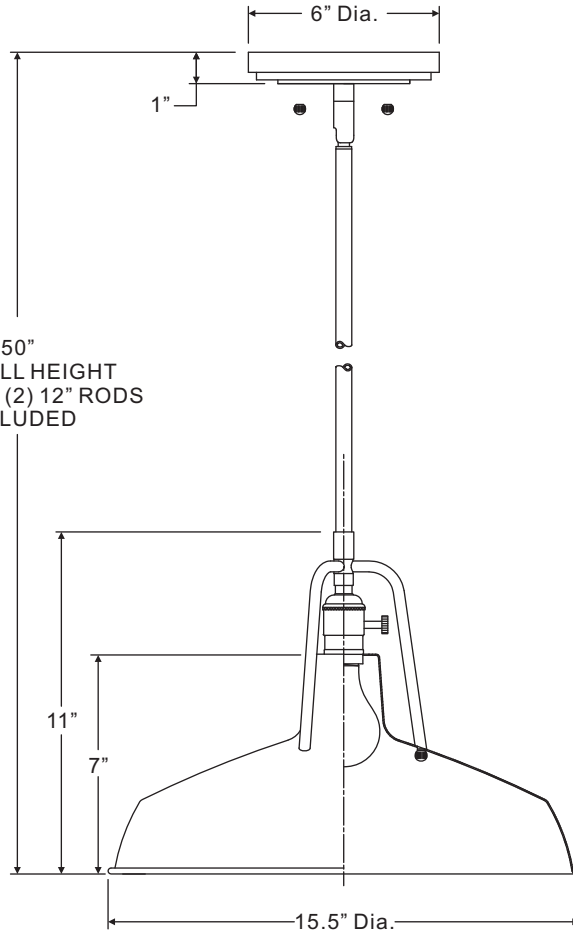
RLY1815IB

FINISH: IMPERIAL BRONZE

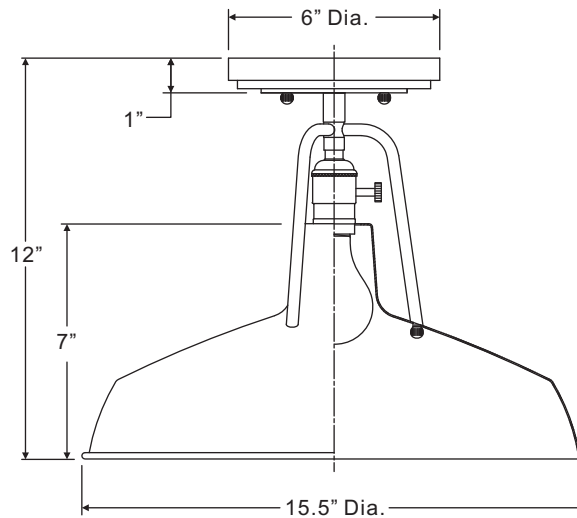
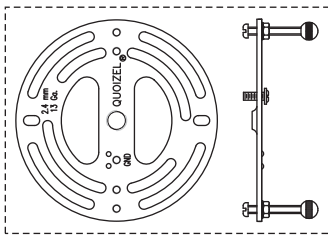
PENDANT LIGHT



50"
OVERALL HEIGHT
(2) 6" AND (2) 12" RODS
INCLUDED



SEMI-FLUSH



(1) 100W Medium
Base Bulb
(Not Supplied)

NOTE: ALL DIMENSIONS ARE ROUNDED
UP TO THE NEAREST 1/4"

NO.	PART NUMBER	REPLACEMENT PART DESCRIPTION	REQ.
1	9012EXIB	12"L ROD	2
2	9006EXIB	6"L ROD	2

Thank you for purchasing a Quozel product.
Need assistance with parts or assembly? Call Quozel customer service at 1-631-273-2700
or visit us on-line at www.quozel.com