

Quoizel, Inc.
 6 Corporate Parkway
 Goose Creek, SC
 29445

Customer Service
 Phone 631.273.2700
 Fax 631.231.7102
 www. quoizel. com

Assembly Instruction Sheet #IS-TF1425TWT For Style TF1425TWT

Tools Required: None

Bulb Recommended: (2) Medium Base 75W Maximum

Estimated Assembly Time: 15-20 minutes

Preparation: Identify and inspect all parts before beginning installation. Check package content list and diagrams below to be sure all parts are present. If any parts are missing or damaged, do not attempt to assemble, install, or operate the fixture. Contact customer service for replacement parts.



Warnings and Cautions

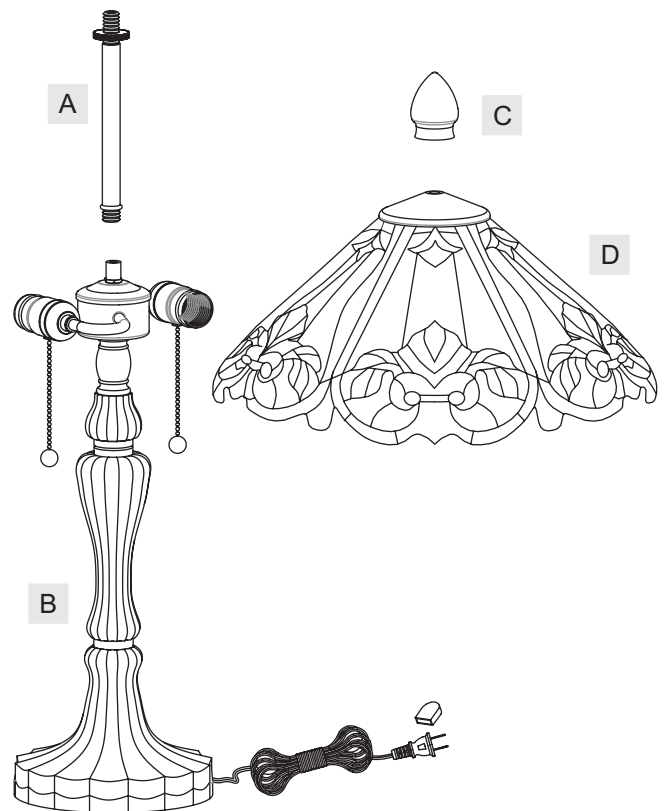
Turn off electricity at circuit breaker or main fuse box before installation. Consult a licensed electrician if in doubt.

These instructions are provided for your safety. It is very important you read them completely before installing the fixture. We strongly recommend that a licensed, professional electrician perform the installation.

Disconnect fixture from power source before replacing bulbs. Make sure bulbs are given sufficient time to cool before removal. Do not subject glass parts to any shock while in operation or shattering may result.

Package Contents

Part	Description	Quantity
A	Stem with Knurled Nut	1 pc.
B	Base	1 pc.
C	Finial	1 pc.
D	Shade	1 pc.

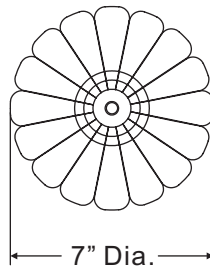
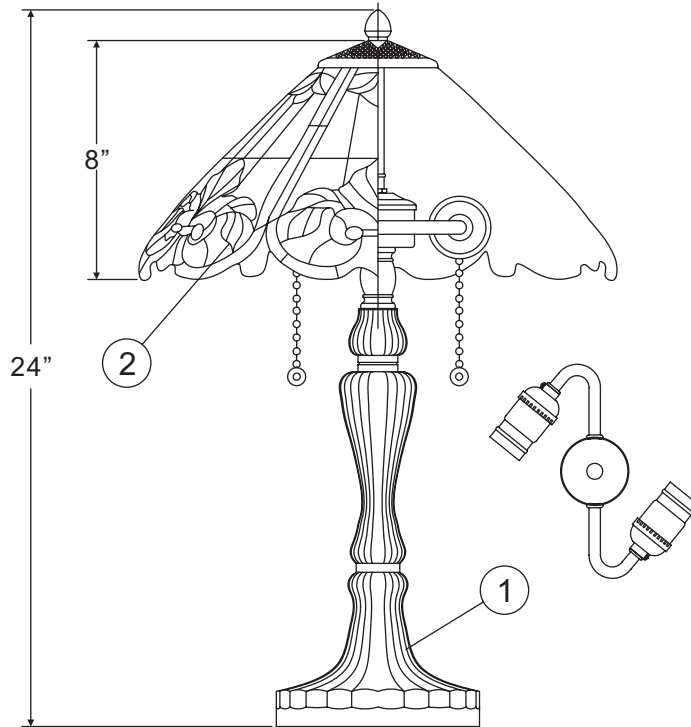
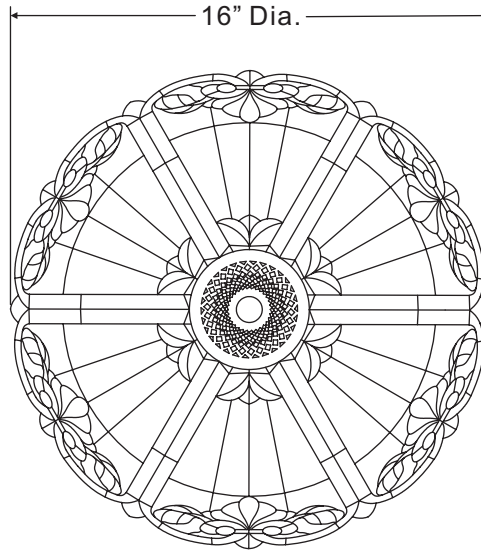


Thank you for purchasing a Quoizel product.

Need assistance with parts or assembly? Call Quoizel customer service at 1-631-273-2700
 or visit us on-line at www. quoizel. com

TF1425TWT

FINISH: WESTERN BRONZE



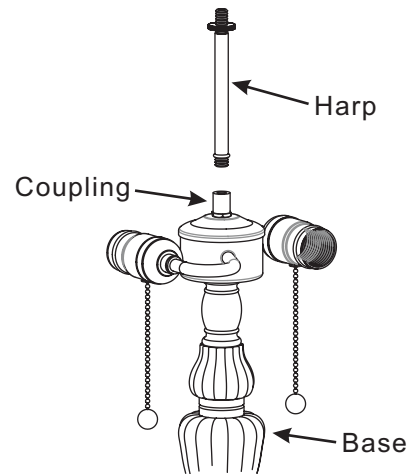
(2) 75W Medium Base Bulbs (Not Supplied)

NOTE: ALL DIMENSIONS ARE ROUNDED UP TO THE NEAREST 1/2"

NO.	PART NUMBER	REPLACEMENT PART DESCRIPTION	REQ.
1	11425TWTF	BASE WESTERN BRONZE TF1425WT	1
2	G3390SH	SHADE TIFFANY 16"D X8"H	1

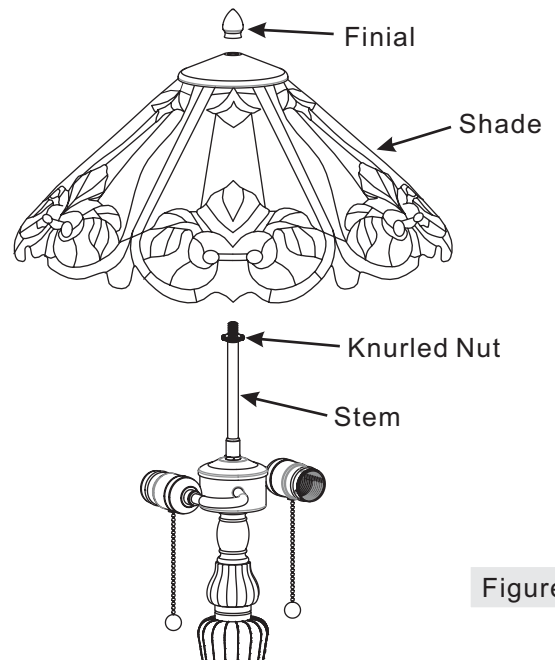
STEP 1 – Install the Stem

- A. Screw the beaded end of the Stem with Knurled Nut (A) into the Coupling on the top center of the Base (B). Hand tighten until snug.



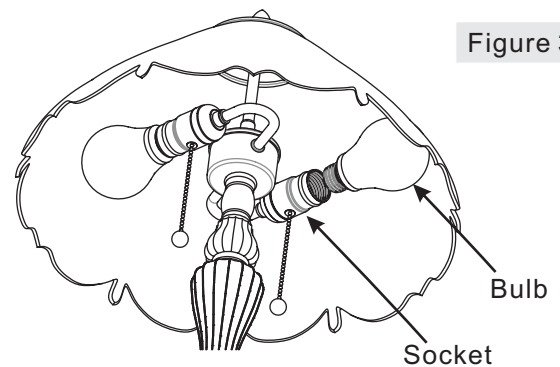
STEP 2 – Attach Shade

- A. Adjust the Knurled Nut on the top end of the Stem (A) to proper location for the Shade (D) and the Finial (C).
B. Place the Shade (D) onto the top end of the Stem (A). Secure by threading the Finial (C) onto the Stem (A). Hand tighten until snug.



STEP 3 – Install Bulb

- A. This fixture uses standard bulb with medium base . Maximum 75 watts.
B. Insert bulb and screw snugly into place.



Thank you for purchasing a Quoizel product.
Need assistance with parts or assembly? Call Quoizel customer service at 1-631-273-2700
or visit us on-line at www. quozel. com