

Assembly Instruction Sheet #IS-MC842FRC For Style MC842FRC

Quoizel, Inc.
 6 Corporate Parkway
 Goose Creek, SC
 29445

Customer Service
 Phone 631.273.2700
 Fax 631.231.7102
 www.quoise.com

Tools Required: None

Bulb Recommended: (2) Medium Base 60W Maximum

Estimated Assembly Time: 15-20 minutes

Preparation: Identify and inspect all parts before beginning installation. Check package content list and diagrams below to be sure all parts are present. If any parts are missing or damaged, do not attempt to assemble, install, or operate the fixture. Contact customer service for replacement parts.



Warnings and Cautions

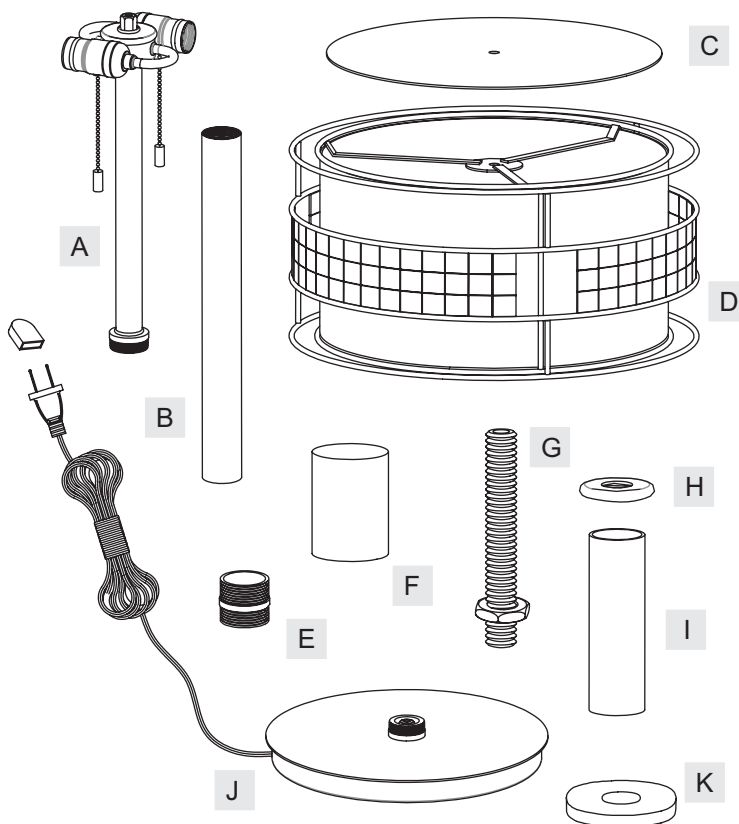
Turn off electricity at circuit breaker or main fuse box before installation. Consult a licensed electrician if in doubt.

These instructions are provided for your safety. It is very important you read them completely before installing the fixture. We strongly recommend that a licensed, professional electrician perform the installation.

Disconnect fixture from power source before replacing bulbs. Make sure bulbs are given sufficient time to cool before removal. Do not subject glass parts to any shock while in operation or shattering may result.

Package Contents

Part	Description	Quantity
A	Socket Assembly	1 pc.
B	Rod	3 pcs.
C	Diffuser	1 pc.
D	Shade	1 pc.
E	Connector	2 pcs.
F	Finial	1 pc.
G	Nipple with Hex Nut	1 pc.
H	Check Ring	1 pc.
I	Spacer Tube	1 pc.
J	Base	1 pc.
K	Rubber Washer	1 pc.

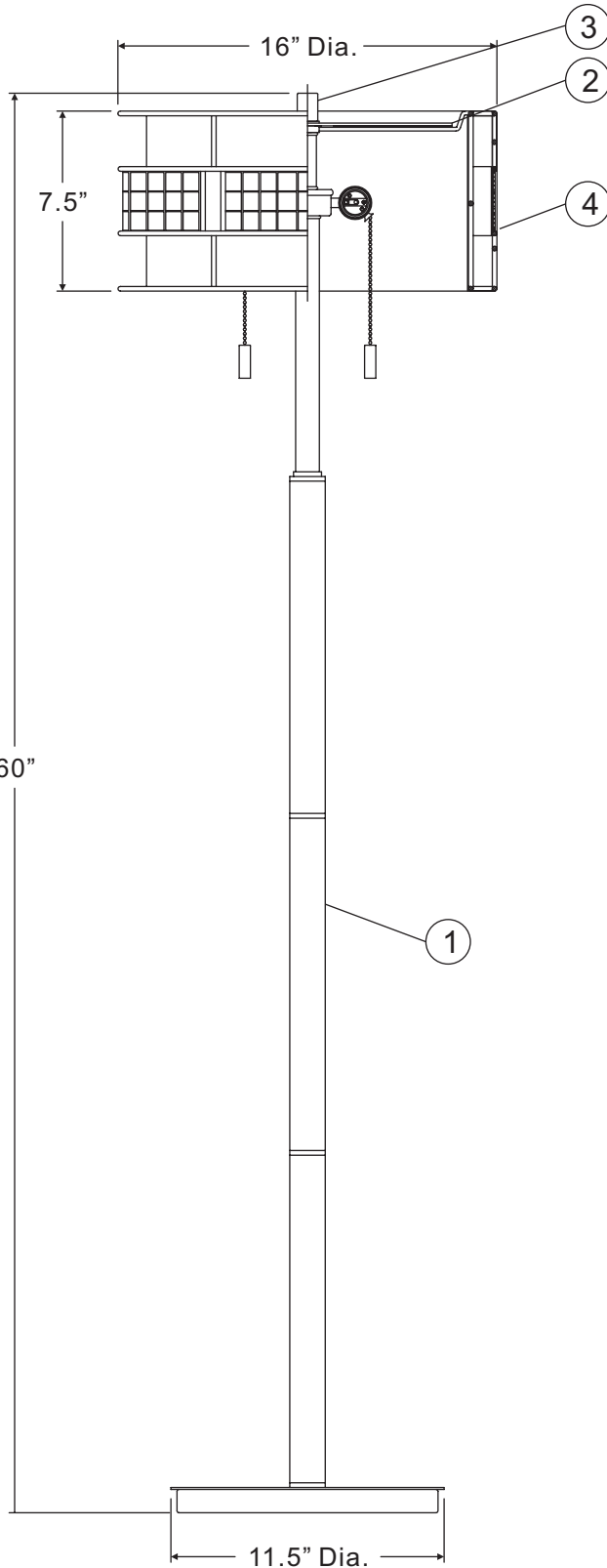
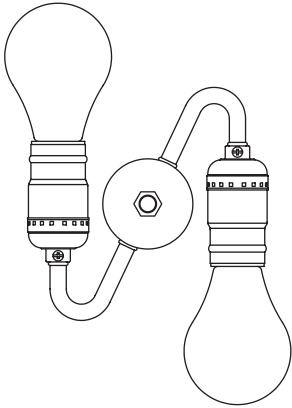


Thank you for purchasing a Quoizel product.

Need assistance with parts or assembly? Call Quoizel customer service at 1-631-273-2700
 or visit us on-line at www.quoise.com

MC842FRC

FINISH: RENAISSANCE COPPER



(2) 60W Medium Base Bulbs (Not Supplied)

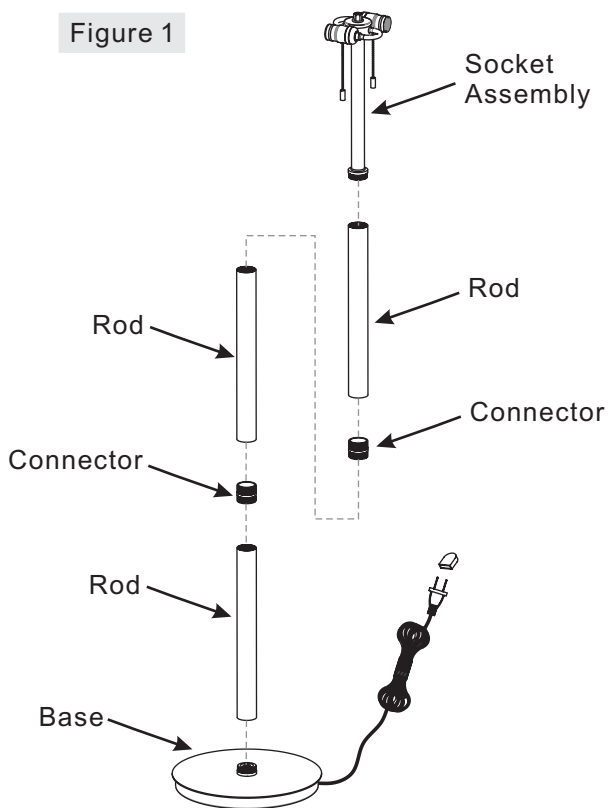
NOTE: ALL DIMENSIONS ARE ROUNDED UP TO THE NEAREST 1/2"

NO.	PART NUMBER	REPLACEMENT PART DESCRIPTION	REQ.
1	1842FRCMC	BASE RENAISSANCE COPPER MC842FRC	1
2	G2907DI	DIFFUSER FROSTED GLASS 13"D	1
3	M2294FIRC	FINIAL RENAISSANCE COPPER 0.9"D	1
4	S1348MC	SHADE MICA 17"D X 8"H	1

Assembly Instruction Sheet #IS-MC842FRC For Style MC842FRC

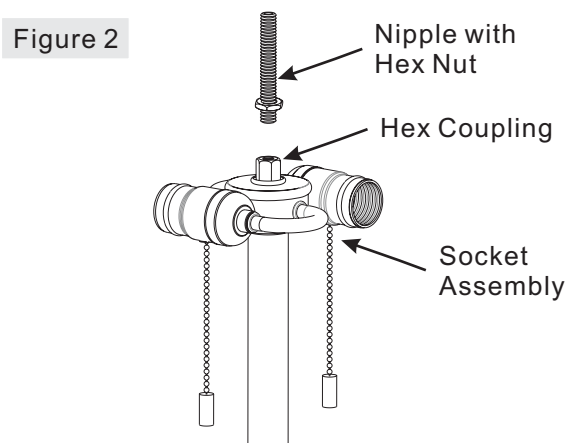
STEP 1 – Assemble Socket Assembly, Rods, Connectors and Base

- A. Thread the Socket Assembly, Rods, Connectors and Base together as shown. Hand tighten until snug.



STEP 2 – Attach Nipple with Hex Nut

- A. Thread the Nipple with Hex Nut (G) into the Hex Coupling on the top center of the Socket Assembly (A). Using pliers, thread the Hex Nut against the Hex Coupling and hand tighten until snug.



Thank you for purchasing a Quozel product.
Need assistance with parts or assembly? Call Quozel customer service at 1-631-273-2700
or visit us on-line at www. quozel. com

Assembly Instruction Sheet #IS-MC842FRC For Style MC842FRC

STEP 3 – Attach Spacer Tube, Check Ring, Shade and Diffuser

- A. Place the Spacer Tube (I), the Check Ring (H), the Shade (D), the Diffuser (C) and the Rubber Washer (K) over the top end of the Nipple with Hex Nut (G) in turn. Secure by threading the Finial (F) onto the Nipple. Hand tighten until snug.

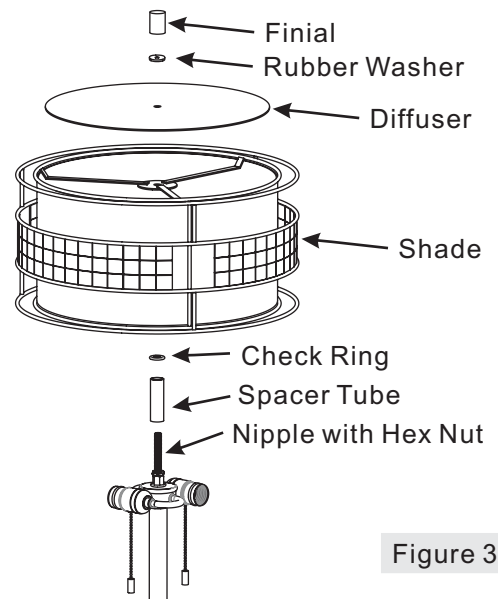


Figure 3

STEP 4 – Install Bulb

- A. This fixture uses standard bulb with medium base .
Maximum 60 watts.
B. Insert bulb and screw snugly into place.

Your floor lamp is now assembled and ready to use.
Enjoy!

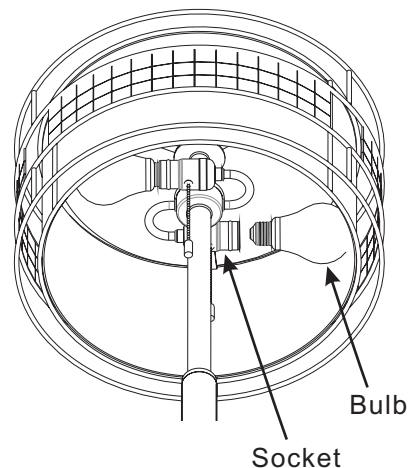


Figure 4

Thank you for purchasing a Quoizel product.
Need assistance with parts or assembly? Call Quoizel customer service at 1-631-273-2700
or visit us on-line at www. quoizel. com