

Assembly Instruction Sheet #IS-CKCF6330OS

For Style CKCF6330OS

Quoizel, Inc.
 6 Corporate Parkway
 Goose Creek, SC
 29445

Customer Service
 Phone 631.273.2700
 Fax 631.231.7102
 www. quoizel. com

Tools Required: None

Bulb Recommended: (2) Medium Base 75W Maximum

Estimated Assembly Time: 15-20 minutes

Preparation: Identify and inspect all parts before beginning installation. Check package content list and diagrams below to be sure all parts are present. If any parts are missing or damaged, do not attempt to assemble, install, or operate the fixture. Contact customer service for replacement parts.



Warnings and Cautions

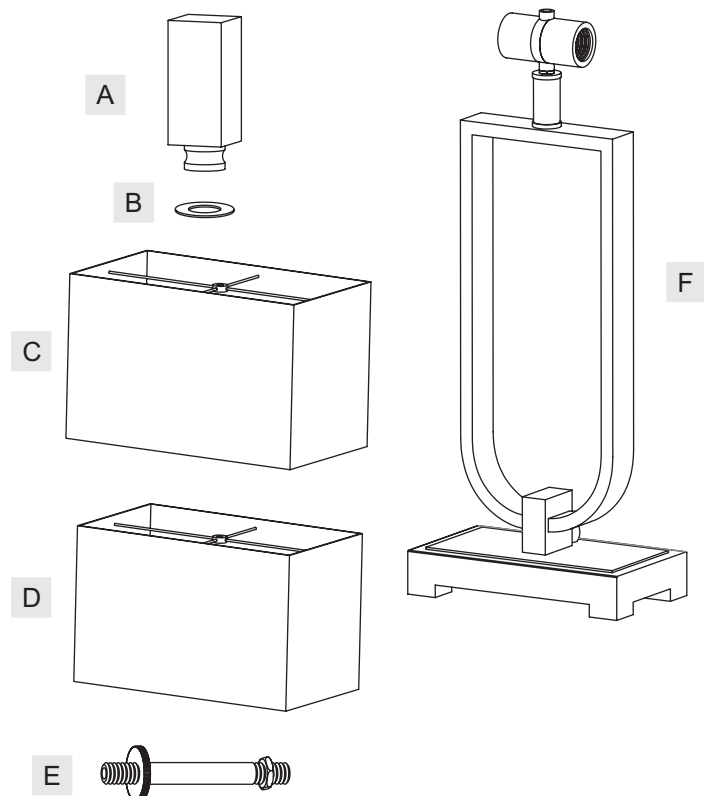
Turn off electricity at circuit breaker or main fuse box before installation. Consult a licensed electrician if in doubt.

These instructions are provided for your safety. It is very important you read them completely before installing the fixture. We strongly recommend that a licensed, professional electrician perform the installation.

Disconnect fixture from power source before replacing bulbs. Make sure bulbs are given sufficient time to cool before removal. Do not subject glass parts to any shock while in operation or shattering may result.

Package Contents

Part	Description	Quantity
A	Finial	1 pc.
B	Plastic Washer	1 pc.
C	Outside Shade	1 pc.
D	Inner Shade	1 pc.
E	Stem with Nuts	1 pc.
E	Base	1 pc.

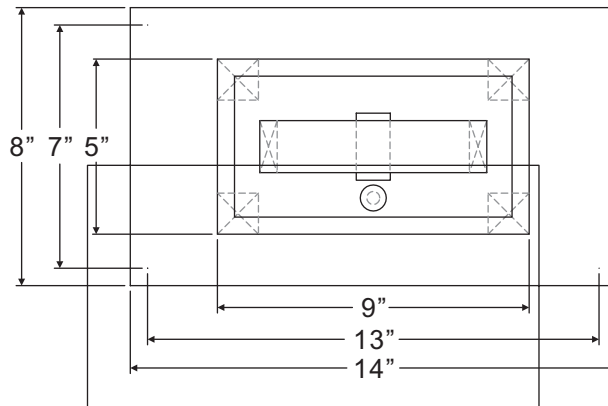
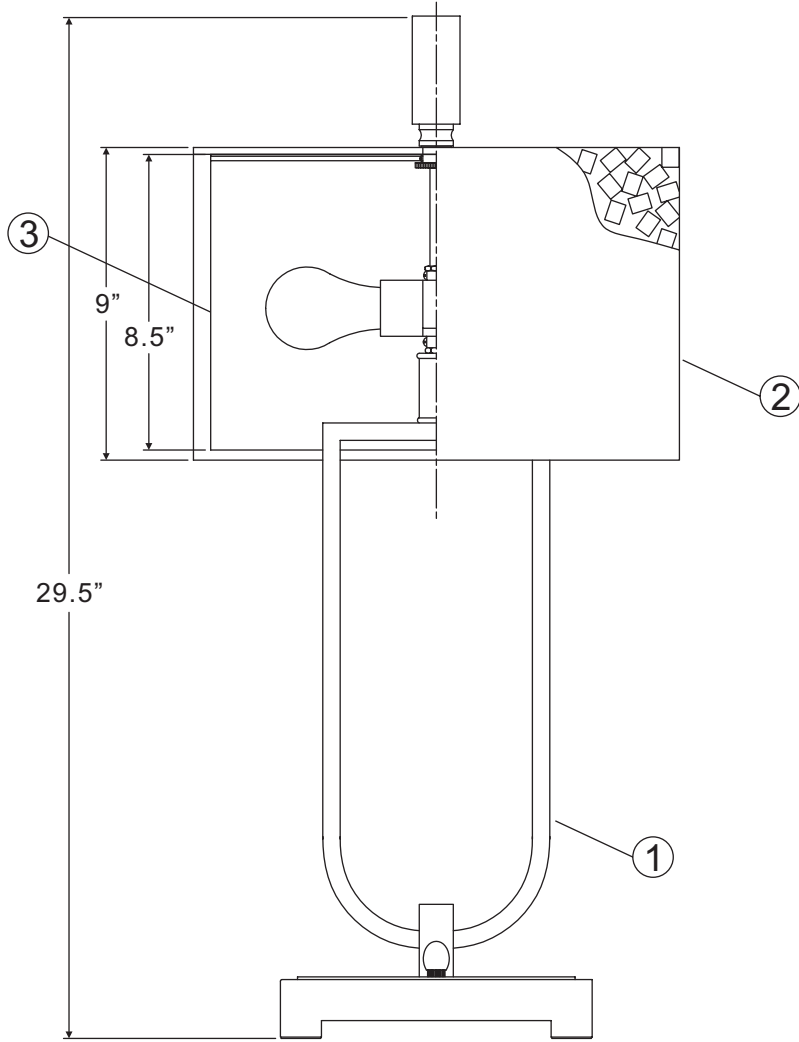


Thank you for purchasing a Quoizel product.

Need assistance with parts or assembly? Call Quoizel customer service at 1-631-273-2700 or visit us on-line at www. quoizel. com

CKCF6330OS

FINISH: OLD SILVER



(2)75W Medium Base Bulbs (Not Supplied)

NOTE: ALL DIMENSIONS ARE ROUNDED UP TO THE NEAREST 1/2"

NO.	PART NUMBER	REPLACEMENT PART DESCRIPTION	REQ.
1	16330OSCKCF	BASE OLD SILVER CKCF6330OS	1
2	M2377SH	METAL CONFETTI SHADE 8"x14"x9"H	1
3	S1432OW	OFF-WHITE FABRIC SHADE 7"x13"x8.5"H	1

STEP 1 – attach Center Stem to Base

- A. Thread the Hex Nut end of Stem (E) into Coupling on the top of Base (F). By using pliers, thread the Hex Nut against the Coupling and hand tighten until snug.

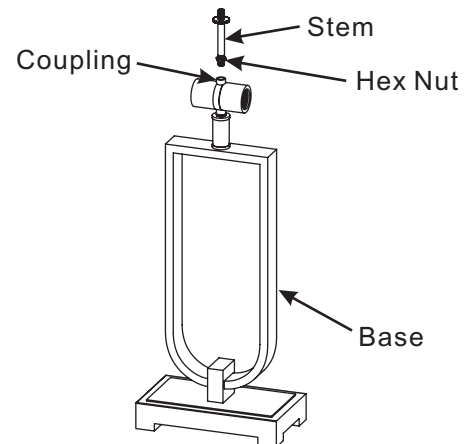


Figure 1

STEP 2 – Assemble Inner Shades

- A. Adjust the Knurled Nut on the top end of the Stem (E) to proper location for the rest components.
B. Place Inner Shade (D) onto the Stem (E). And tighten the screw on spider with screwdriver (Not Supplied).

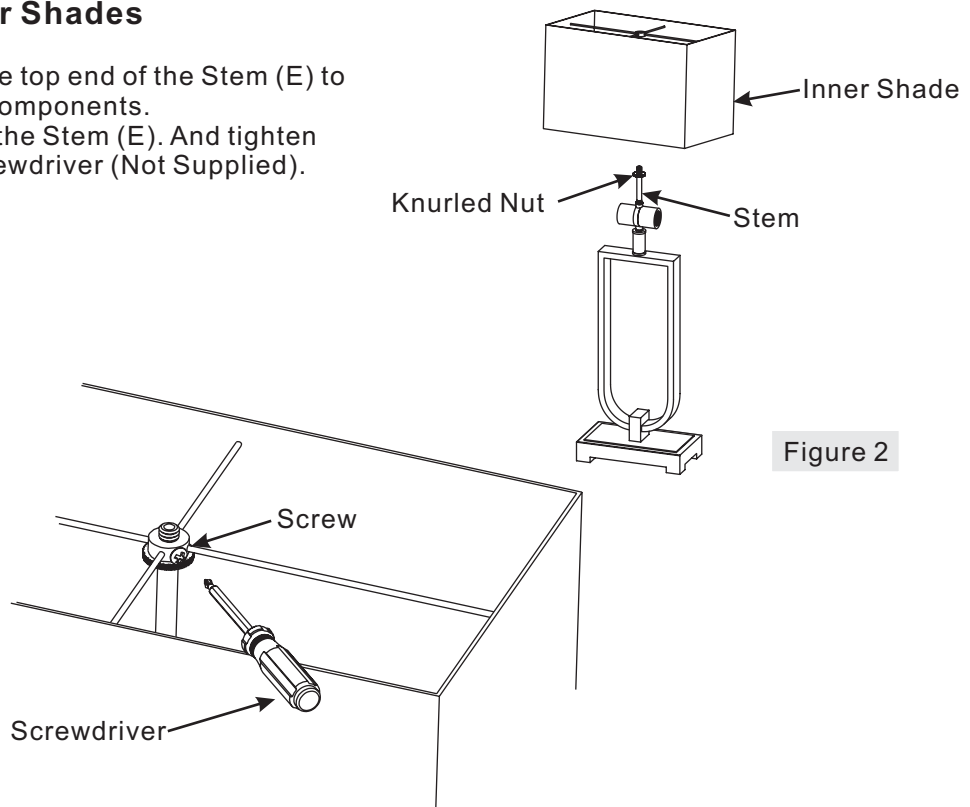


Figure 2

Thank you for purchasing a Quoizel product.

Need assistance with parts or assembly? Call Quoizel customer service at 1-631-273-2700
or visit us on-line at www. quozel. com

STEP 3 – Assemble Outside Shade

- A. Place Outside Shade (C) and the Plastic Washer (B) onto the Stem (E). Secure them together with the Finial (A) and hand tighten until snug.

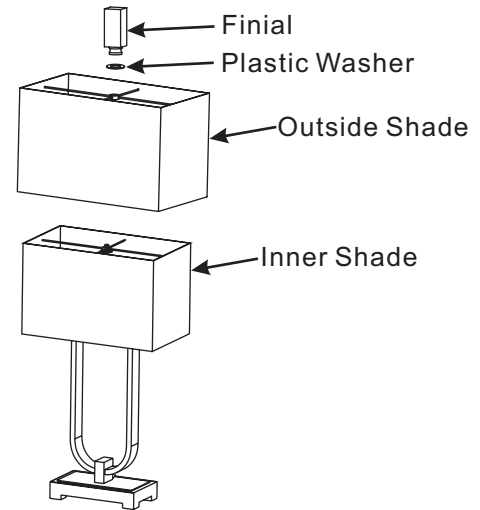


Figure 3

STEP 4 – Install Bulb

- A. This fixture uses standard bulbs with medium screw bases. Maximum 75 watts.
B. Insert bulb and screw snugly into place.

Your fixture is now assembled and ready to use.
Enjoy!

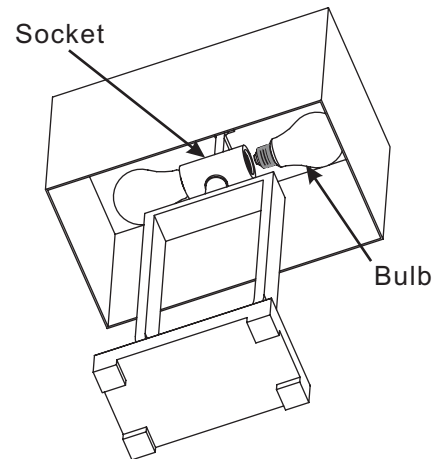


Figure 4

Thank you for purchasing a Quoizel product.

Need assistance with parts or assembly? Call Quoizel customer service at 1-631-273-2700
or visit us on-line at www. quoizel. com