

Assembly Instruction Sheet #IS-TF1180TVA For Style TF1180TVA

Quoizel, Inc.
 6 Corporate Parkway
 Goose Creek, SC
 29445

Customer Service
 Phone 631.273.2700
 Fax 631.231.7102
 www.quoizel.com

Please go to www.quoizel.com for product cleaning tips. Go to the **Care + Maintenance** selection.

Tools Required: None

Light Source: (2) Medium Base 75W Maximum, Alternate bulb (1) 19W CFL.

Estimated Assembly Time: 15-20 minutes

Preparation: Identify and inspect all parts before beginning installation. Check package content list and diagrams below to be sure all parts are present. If any parts are missing or damaged, do not attempt to assemble, install, or operate the fixture. Contact customer service for replacement parts.

Warnings and Cautions

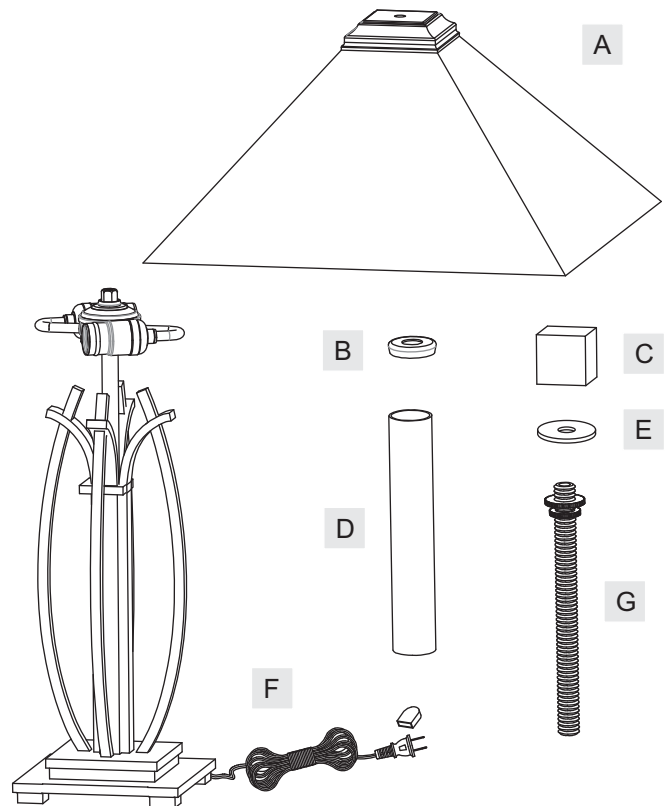
Turn off electricity at circuit breaker or main fuse box before installation. Consult a licensed electrician if in doubt.

These instructions are provided for your safety. It is very important you read them completely before installing the fixture. We strongly recommend that a licensed, professional electrician perform the installation.

Disconnect fixture from power source before replacing bulbs. Make sure bulbs are given sufficient time to cool before removal. Do not subject glass parts to any shock while in operation or shattering may result.

Package Contents

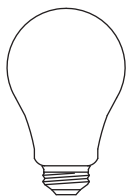
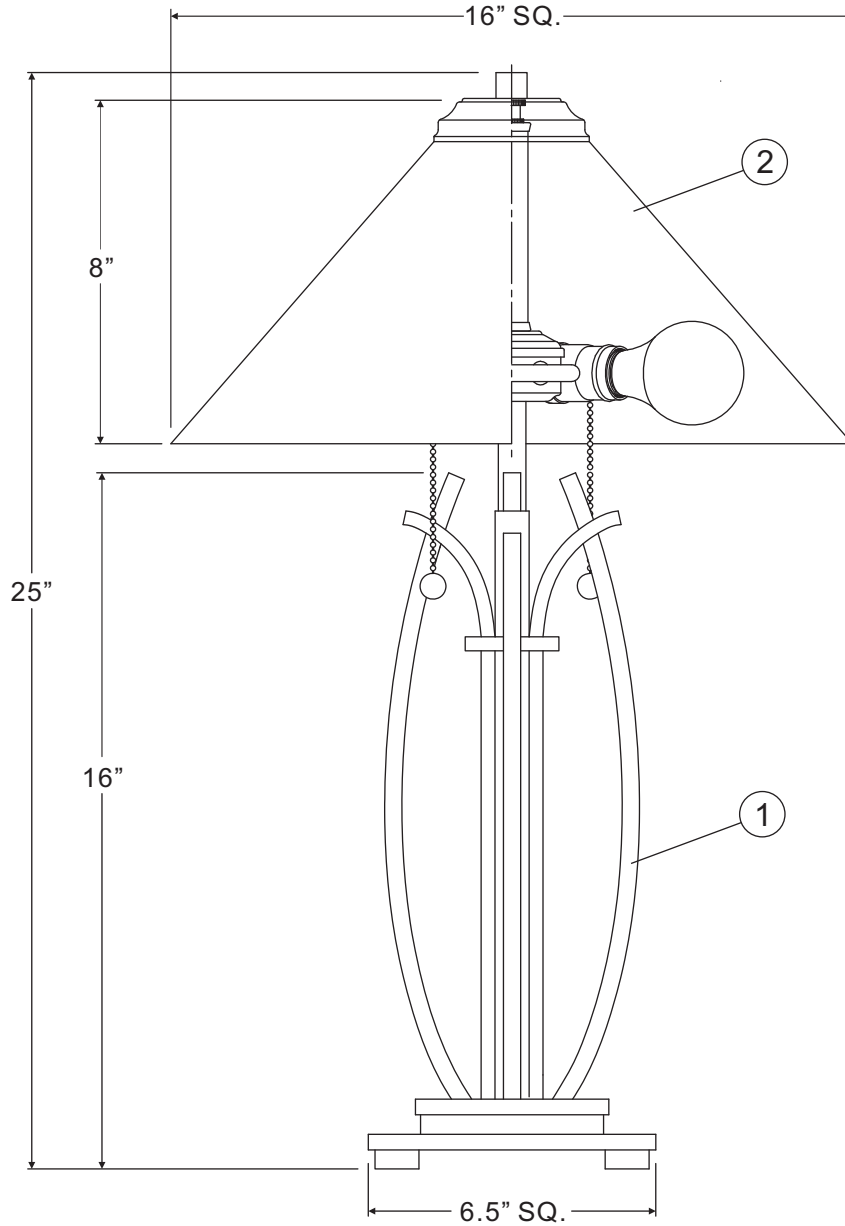
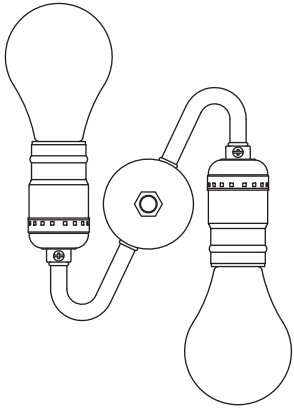
| Part | Description | Quantity |
|------|--------------------------|----------|
| A | Shade | 1 pc. |
| B | Check Ring | 1 pc. |
| C | Finial | 1 pc. |
| D | Spacer Tube | 1 pc. |
| E | Flat Washer | 1 pc. |
| F | Base | 1 pc. |
| G | Nipple with Knurled Nuts | 1 pc. |



Thank you for purchasing a Quoizel product.
Need assistance with parts or assembly? Call Quoizel customer service at 1-631-273-2700
or visit us on-line at www.quoizel.com

TF1180TVA

FINISH: VALIANT BRONZE



(2)Medium Base
Bulbs
(Not Supplied)

NOTE: ALL DIMENSIONS ARE ROUNDED UP TO THE NEAREST 1/2"

| NO. | PART NUMBER | REPLACEMENT PART DESCRIPTION | REQ. |
|-----|-------------|-------------------------------|------|
| 1 | 11180TVATF | BASE VALIANT BRONZE TF1180TVA | 1 |
| 2 | G3260SH | SHADE TIFFANY 16"SQ X 7.5"H | 1 |

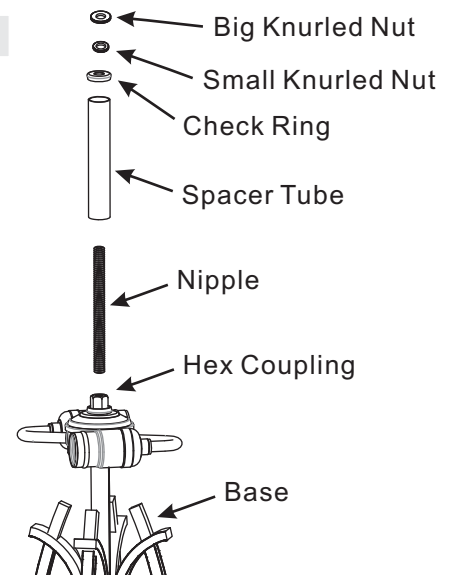
Assembly Instruction Sheet #IS-TF1180TVA

For Style TF1180TVA

STEP 1 – Attach Spacer Tube, Check Ring and Nipple with Knurled Nuts to Base

- Remove Knurled Nuts from the Nipple (G). Screw one end of the Nipple (G) into the Hex Coupling on the top center of the Base (F). Hand tighten until snug.
- Place the Spacer Tube (D) and Check Ring (B) over the top end of the Nipple (G). Secure by threading the Small Knurled Nut onto the Nipple (G). Hand tighten until snug.
- Thread the Big Knurled Nut onto the top end of the Nipple (G) and adjust to proper location for the Shade (A) and Finial (C).

Figure 1



STEP 2 – Attach Shade and Finial

- Place the Flat Washer (E) and Shade (A) over the top end of the Nipple (G). Secure by threading the Finial (C) onto the Nipple (G). Hand tighten until snug.

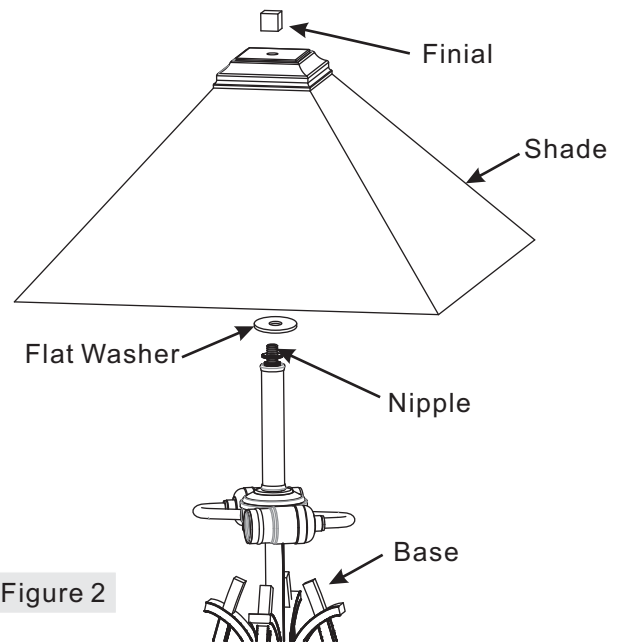


Figure 2

STEP 3 – Install Bulb

- This fixture uses standard bulb with medium base . Maximum 75 watts.
- Insert bulb and screw snugly into place.

Your table lamp is now assembled and ready to use.
 Enjoy!

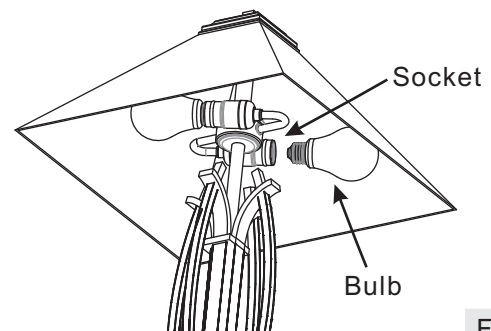


Figure 3

Thank you for purchasing a Quoizel product.
Need assistance with parts or assembly? Call Quoizel customer service at 1-631-273-2700
or visit us on-line at www.quoizel.com