

# Assembly Instruction Sheet #IS-CKMO1716BN For Style CKMO1716BN

Quozel, Inc.  
 6 Corporate Parkway  
 Goose Creek, SC  
 29445

Customer Service  
 Phone 631.273.2700  
 Fax 631.231.7102  
 www. quozel. com

**Tools Required:** Flathead screwdriver, Phillips screwdriver, pliers, wire cutters, wire strippers, electrical tape, safety glasses.

**Bulb Recommended:** (2) Medium Base 60W Maximum

**Estimated Assembly Time:** 20-30 minutes

**Preparation:** Identify and inspect all parts before beginning installation. Check package content list and diagrams below to be sure all parts are present. If any parts are missing or damaged, do not attempt to assemble, install, or operate the fixture. Contact customer service for replacement parts.

## Warnings and Cautions

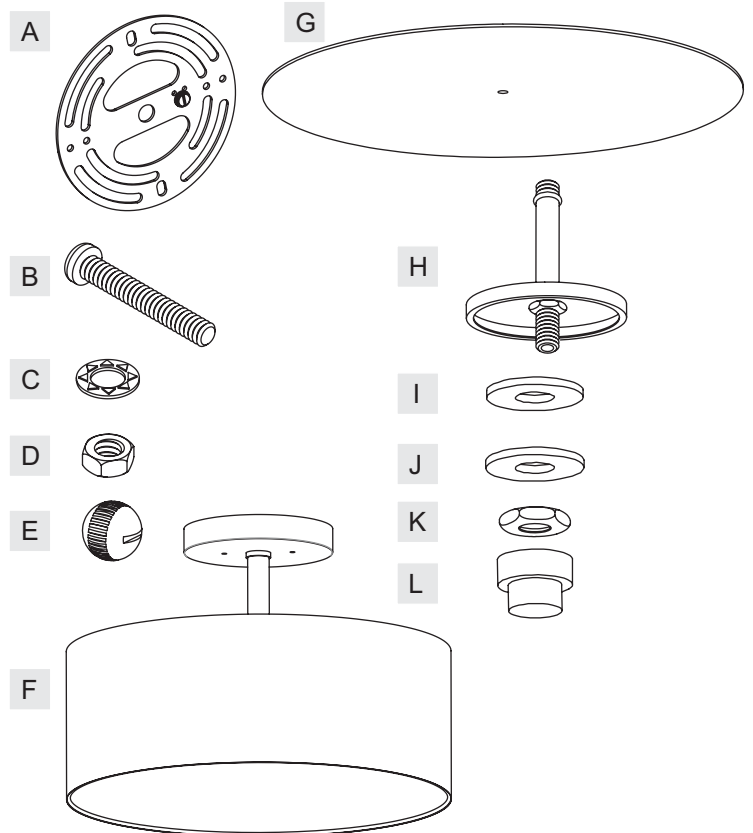
Turn off electricity at circuit breaker or main fuse box before installation. Consult a licensed electrician if in doubt.

These instructions are provided for your safety. It is very important you read them completely before installing the fixture. We strongly recommend that a licensed, professional electrician perform the installation.

Disconnect fixture from power source before replacing bulbs. Make sure bulbs are given sufficient time to cool before removal. Do not subject glass parts to any shock while in operation or shattering may result.

## Package Contents

| Part | Description          | Quantity |
|------|----------------------|----------|
| A    | Crossbar             | 1 pc.    |
| B    | Mounting Screw       | 2 pcs.   |
| C    | Lock Washer          | 2 pcs.   |
| D    | Hex Nut              | 2 pcs.   |
| E    | Mounting Ball        | 2 pcs.   |
| F    | Fixture Body         | 1 pc.    |
| G    | Diffuser             | 1 pc.    |
| H    | Center Stem Assembly | 1 pc.    |
| I    | Rubber Washer        | 1 pc.    |
| J    | Flat Washer          | 1 pc.    |
| K    | Hex Nut(1/8)         | 1 pc.    |
| L    | Finial               | 1 pc.    |

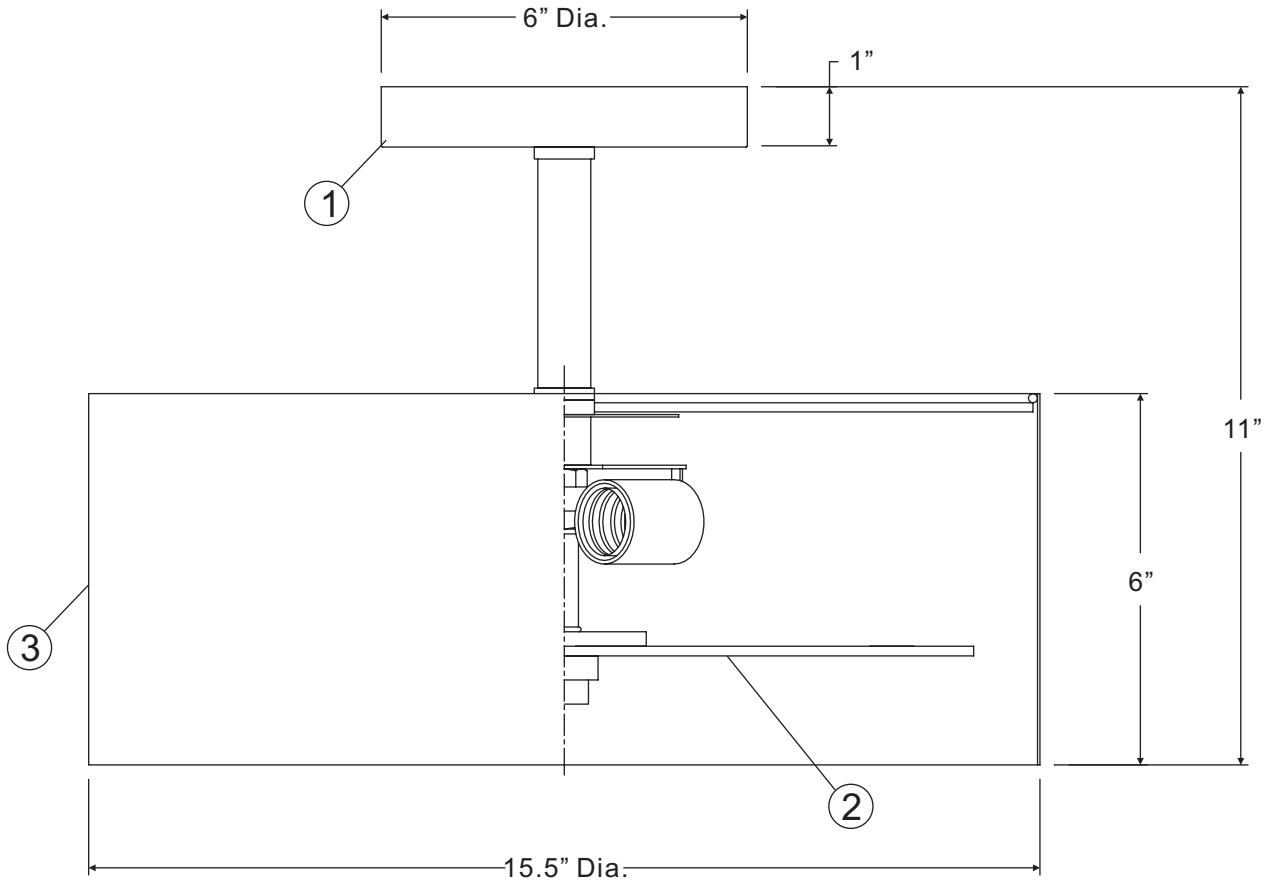
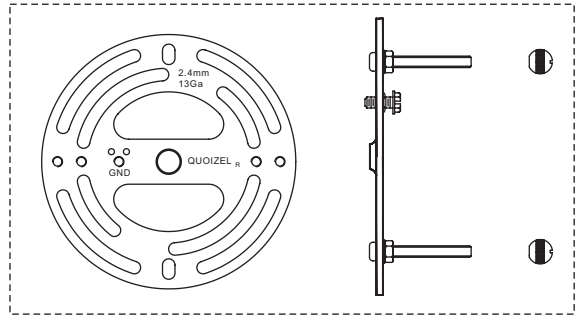


**Thank you for purchasing a Quozel product.**

**Need assistance with parts or assembly? Call Quozel customer service at 1-631-273-2700  
 or visit us on-line at [www. quozel. com](http://www. quozel. com)**

CKMO1716BN

FINISH: BRUSHED NICKEL



(2)60W  
Medium Base Bulbs  
(Not Supplied)

NOTE: ALL DIMENSIONS ARE ROUNDED UP TO THE NEAREST 1/2"

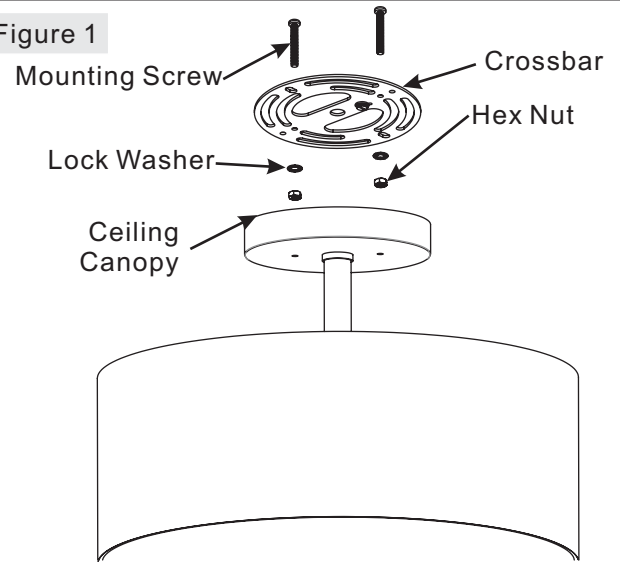
| NO. | PART NUMBER | REPLACEMENT PART DESCRIPTION   | REQ. |
|-----|-------------|--------------------------------|------|
| 1   | 11716BNCKMO | BASE BRUSHED NICKEL CKMO1716BN | 1    |
| 2   | G3466DI     | DIFFUSER 12.5"D                | 1    |
| 3   | S1458BE     | SHADE BEIGE 15.5"D, 6"H"H      | 1    |

# Assembly Instruction Sheet #IS-CKMO1716BN For Style CKMO1716BN

## STEP 1 – Attach Mounting Screws, Lock Washers and Hex Nuts to Crossbar

- A. Line up a set of holes on the Crossbar (A) and Holes on the Ceiling Canopy.
- B. Thread Mounting Screws (B) into the holes on the Crossbar (A), pass Lock Washers (C) and thread Hex Nut (D) onto the Mounting Screws (B). Hand tighten until snug.

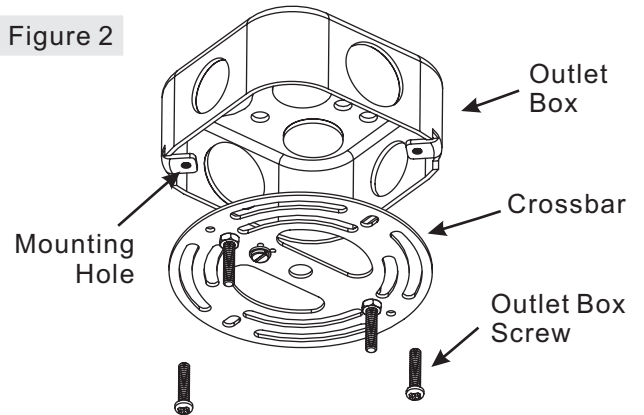
Figure 1



## STEP 2 – Attach Crossbar to Outlet Box

- A. Attach the Crossbar (A) to Outlet Box and secure by threading Outlet Box Screws (not supplied) into the Mounting Holes on the Outlet Box. Tighten until snug.

Figure 2



Thank you for purchasing a Quozel product.

Need assistance with parts or assembly? Call Quozel customer service at 1-631-273-2700  
or visit us on-line at [www. quozel. com](http://www. quozel. com)

### STEP 3 – Make Wire Connections

- Use standard wire connectors to make all wire connections. (Connectors are not included with fixture.) Strip and prepare wire ends according to instructions supplied with connectors.
- Connect White Supply Wire from the Outlet Box to White Wire from fixture.
- Connect Black (or Red) Supply Wire from the Outlet Box to Black Wire from fixture.
- Connect Ground Wire from the Outlet Box to Ground Wire from fixture.
- Twist connectors until wires are tightly joined together.
- Wrap each connection with approved electrical tape and carefully stuff all the connected wires into the Outlet Box.

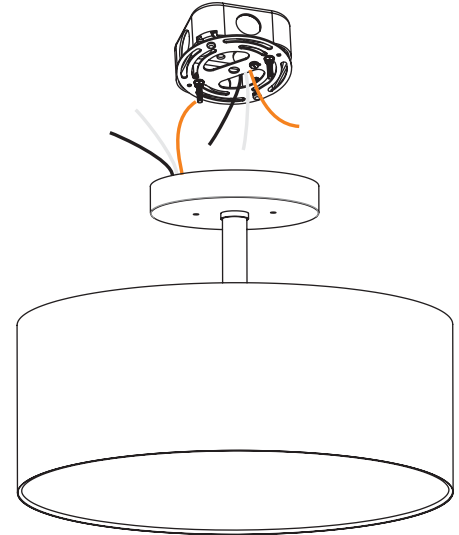


Figure 4

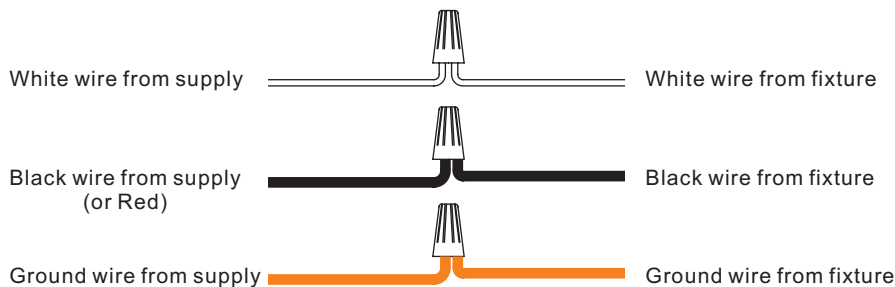


Figure 3

### STEP 4 – Attach Ceiling Canopy to Mounting Screw

- Place the Ceiling Canopy on the top of the Fixture Body (F) over the Mounting Screws (B) and secure with Mounting Balls (E). Hand tighten until snug.

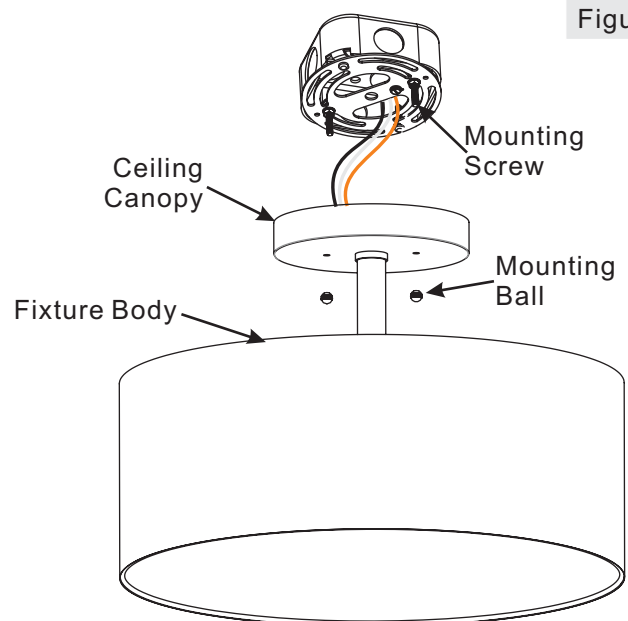


Figure 5

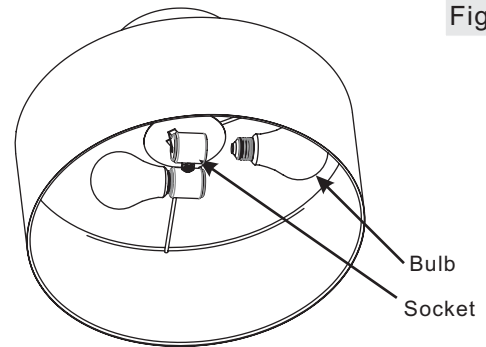
Thank you for purchasing a Quozel product.

Need assistance with parts or assembly? Call Quozel customer service at 1-631-273-2700  
or visit us on-line at [www. quozel. com](http://www. quozel. com)

### STEP 6 – Install Bulb

- A. This fixture uses standard bulb with a standard screw base. Maximum 60 watts.
- B. Insert bulb and screw properly into place.

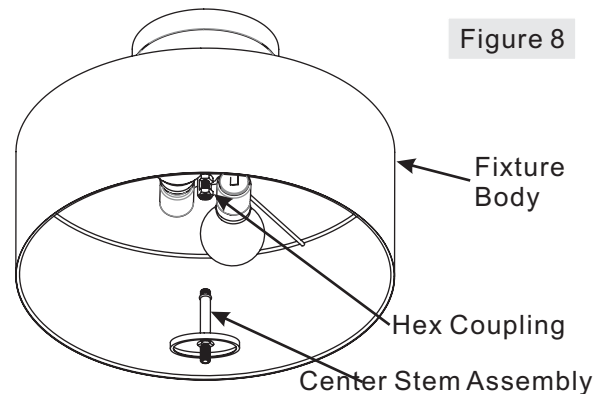
Figure 7



### STEP 7 – Attach Center Stem to Fixture Body

- A. Thread the short nipple end of Center Stem Assembly (H) onto Hex Coupling in the Fixture Body (F), hand tighten until snug.

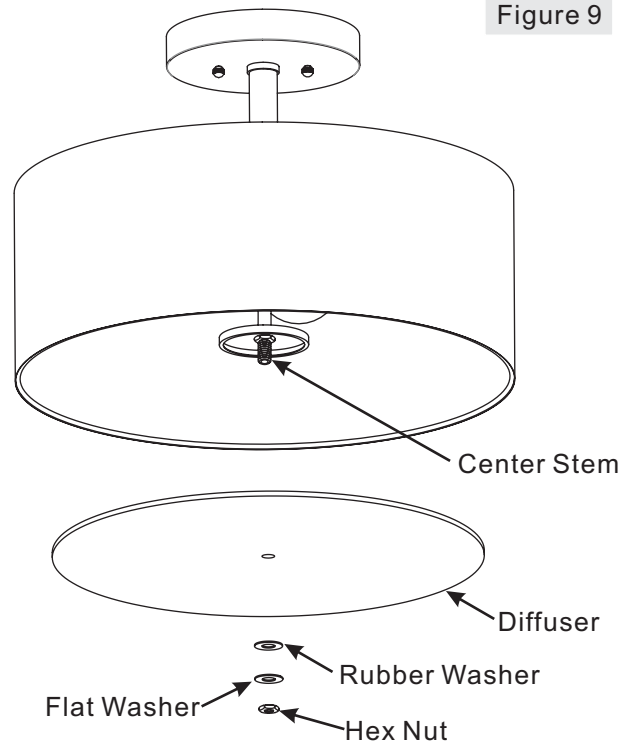
Figure 8



### STEP 8 – Attach Shade to Fixture Body

- A. Place Diffuser (G), Rubber Washer (I) and Flat Washer (J) onto the Center Stem, secure by thread Hex Nut (K) onto Center Stem. Hand tighten until snug.

Figure 9



Thank you for purchasing a Quoizel product.  
Need assistance with parts or assembly? Call Quoizel customer service at 1-631-273-2700  
or visit us on-line at [www. quozel. com](http://www. quozel. com)

**STEP 9 – attach Finial to fixture**

- A. Thread Finial (L) onto Center Stem, hand tighten until snug.

Your fixture is now assembled and ready to use.  
Enjoy!

Figure 10

