

Please go to www. quozel. com for product cleaning tips. Go to the **Care + Maintenance** selection.

Tools Required: Flathead screwdriver, Phillips screwdriver, pliers, wire cutters, wire strippers, electrical tape, safety glasses.

Light Source: (4) A19 Medium Base Bulbs 100W Maximum.

Estimated Assembly Time: 30-45 minutes

Preparation: Identify and inspect all parts before beginning installation. Check package content list and diagrams below to be sure all parts are present. If any parts are missing or damaged, do not attempt to assemble, install, or operate the fixture. Contact customer service for replacement parts.

Note: This CONVERTIBLE fixture can be mounted as pendant light or semi-flush light. Refer to respective installation steps for installations.

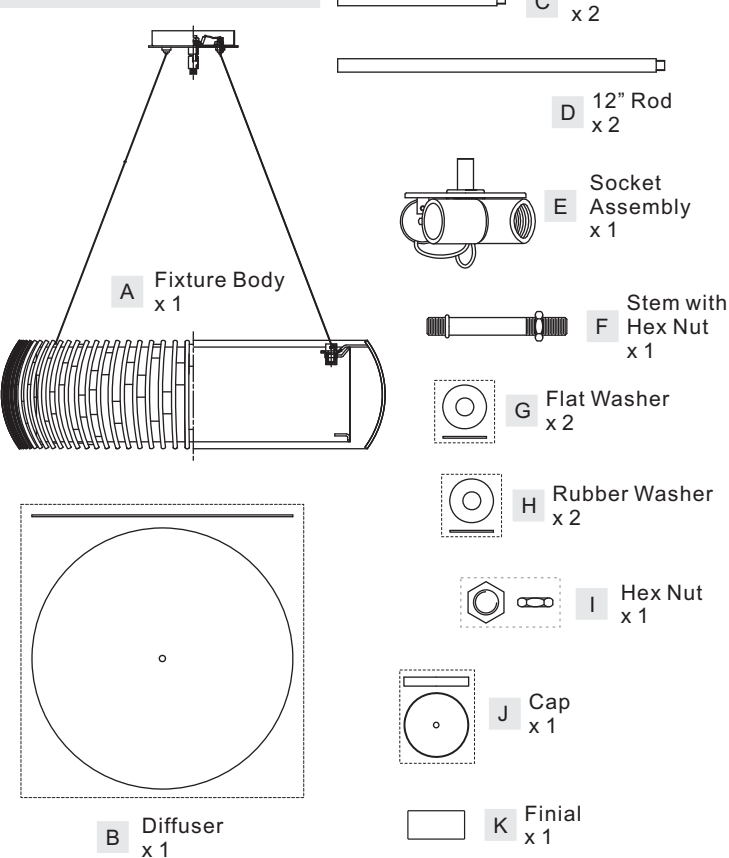
⚠ Warnings and Cautions

Turn off electricity at circuit breaker or main fuse box before installation. Consult a licensed electrician if in doubt.

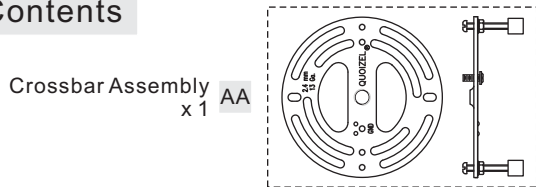
These instructions are provided for your safety. It is very important you read them completely before installing the fixture. We strongly recommend that a licensed, professional electrician perform the installation.

Disconnect fixture from power source before replacing bulbs. Make sure bulbs are given sufficient time to cool before removal.

Package Contents



Hardware Contents



Assembly Instructions for Pendant Light (Step 1A - Step 6A)

STEP 1A - Assemble the Rods and the Socket Assembly to Fixture Body

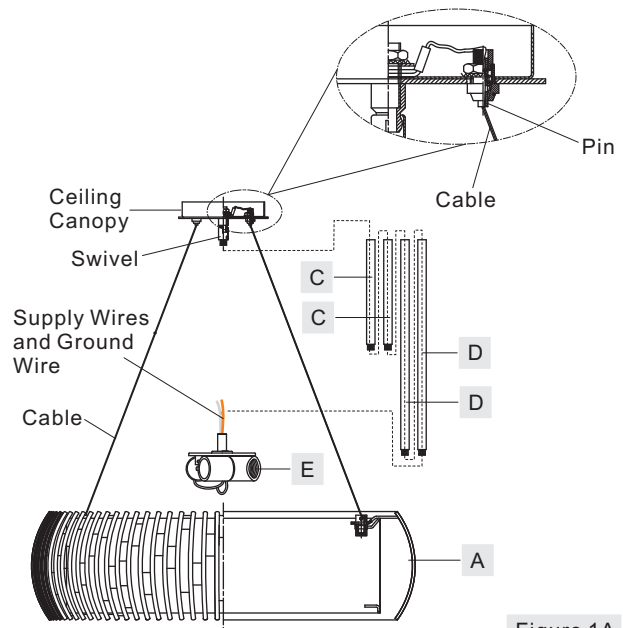
- A. Determine Rods (C/D) to be assembled to Socket Assembly (E) according to your hanging height.
- B. Pass supply wires and ground wire through the chosen rods (C/D), Swivel and Ceiling Canopy. Thread the Socket Assembly (E), the chosen Rods (C/D), Swivel and Ceiling Canopy together. Hand tighten until snug.

Suggested rods for Ceiling height:

8' ceiling : use (1) 6" rod and (2) 12" rods

9' ceiling : use (2) 6" rods and (2) 12" rods

- C. By pressing the pins underside of the ceiling canopy and push in or pull out the cables, raise up or lower down the shades until the Socket Assembly (E) is located in the center of shades.



Thank you for purchasing a Quoizel product.
Need assistance with parts or assembly? Call Quoizel customer service at 1-800-645-3184
or visit us on-line at www. quozel. com

STEP 2A - Installing the Crossbar Assembly

- A. Pass the supply wires through the Crossbar Assembly (AA). Attach the Crossbar Assembly (AA) to the Outlet Box with the head of the Green Ground Screw facing you. Secure the Crossbar Assembly (AA) with Outlet Box Screws (not included). Tighten until snug.

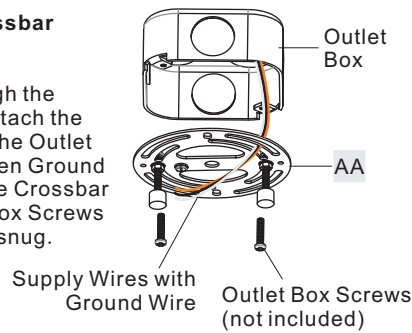


Figure 2A

STEP 3A - Test Fit the Ceiling Canopy to the Crossbar Assembly

- A. Remove the mounting balls from the Crossbar Assembly (AA). Place the ceiling canopy and fixture body onto the Crossbar Assembly (AA) and secure with mounting balls. Note: The ceiling canopy should be snug against the ceiling and held tight with the mounting balls. If it is not, adjust the length of the mounting screw on the Crossbar Assembly (AA) by unscrewing the preassembled hex nut and lock washer and then screwing the mounting screws in or out of the crossbar until the correct length is achieved. Once the ceiling canopy is secure, remove the mounting ball, ceiling canopy and fixture body and proceed to Step 4A.

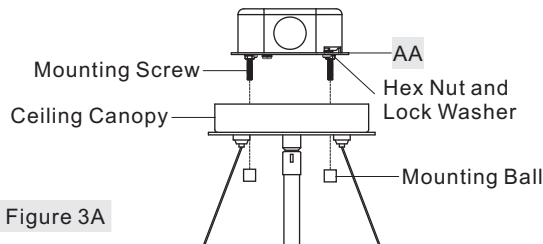


Figure 3A

STEP 4A - Wire Connections

- A. Use standard wire connectors (not included) to make all the wire connections. Twist the connectors until the wires are tightly joined together. Wrap each connection with approved electrical tape and carefully stuff all the connected wires into the Outlet Box.

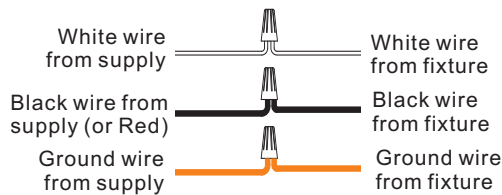


Figure 4A

STEP 5A - Install the Fixture Body

- A. Position the ceiling canopy and fixture body onto the Crossbar Assembly (AA). Place the holes in the ceiling canopy over the mounting screws. Secure the ceiling canopy and fixture body by using the mounting balls and hand tighten the mounting balls until snug.

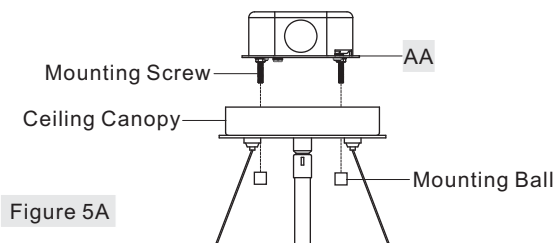


Figure 5A

STEP 6A - Install Bulbs, Diffuser and Cap

- A. Thread the beaded end of the Stem with Hex Nut (F) into hex coupling underside of the Socket Assembly (E). Hand tighten until snug.
 B. Adjust the hex nut on the end of the Stem with Hex Nut (F) to proper location for rest components. Pass the Flat Washers (G), the Rubber Washers (H) and the Diffuser (B) over the end of Stem (F) as shown in the illustration. Secure them together with the Hex Nut (I), tighten gently until snug.
 C. Place the Cap (J) over the end of the Stem (F) and secure with the Finial (K). Hand tighten until snug.
 D. Insert bulbs onto sockets and screw snugly into place.

Your fixture is now assembled and ready to use. Enjoy!

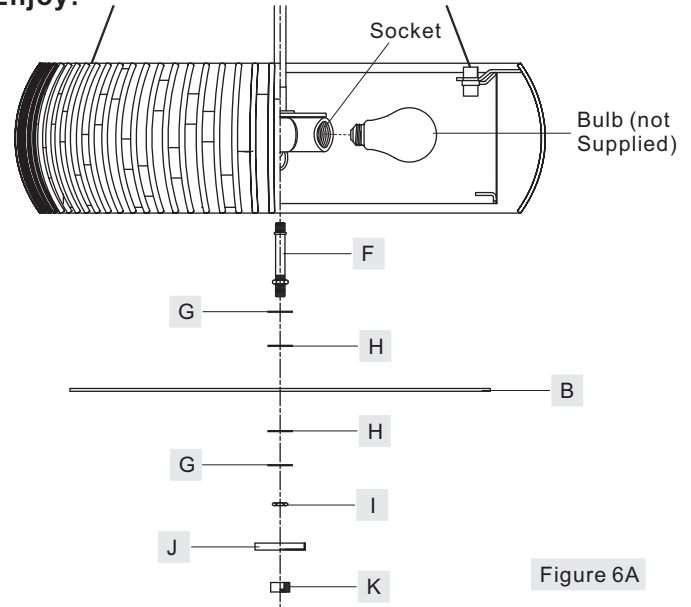
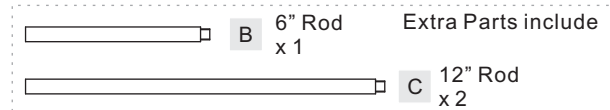


Figure 6A

Assembly Instructions for Semi-flush Light (Step 1B - Step 6B)

Part B and Part C will not be used in the assembly of the Semi-Flush Light fixture. Please set aside these parts.



STEP 1B - Assemble one 6" Rod and the Socket Assembly to Fixture Body

- A. Pass supply wires and ground wire through one 6" rod (C), Swivel and Ceiling Canopy. Thread the Socket Assembly (E), the 6" Rod (C), Swivel and Ceiling Canopy together. Hand tighten until snug.
 B. By pressing the pins underside of the ceiling canopy and push in or pull out the cables, raise up or lower down the shades until the Socket Assembly (E) is located in the center of shades.

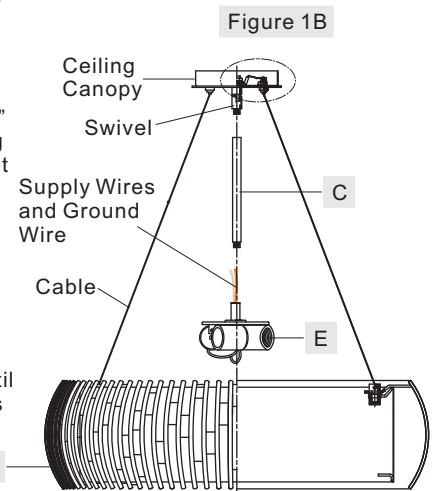


Figure 1B

Thank you for purchasing a Quoizel product.
 Need assistance with parts or assembly? Call Quoizel customer service at 1-800-645-3184
 or visit us on-line at www.quoise.com

STEP 2B – Installing the Crossbar Assembly

- A. Pass the supply wires through the Crossbar Assembly (AA). Attach the Crossbar Assembly (AA) to the Outlet Box with the head of the Green Ground Screw facing you. Secure the Crossbar Assembly (AA) with Outlet Box Screws (not included). Tighten until snug.

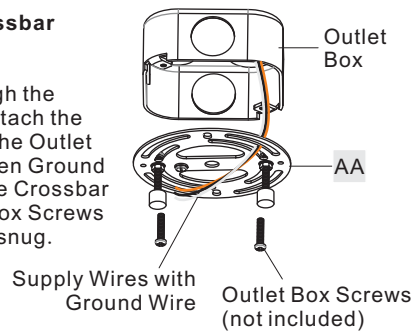


Figure 2B

STEP 3B – Test Fit the Ceiling Canopy to the Crossbar Assembly

- A. Remove the mounting balls from the Crossbar Assembly (AA). Place the ceiling canopy and fixture body onto the Crossbar Assembly (AA) and secure with mounting balls. Note: The ceiling canopy should be snug against the ceiling and held tight with the mounting balls. If it is not, adjust the length of the mounting screw on the Crossbar Assembly (AA) by unscrewing the preassembled hex nut and lock washer and then screwing the mounting screws in or out of the crossbar until the correct length is achieved. Once the ceiling canopy is secure, remove the mounting ball, ceiling canopy and fixture body and proceed to Step 4B.

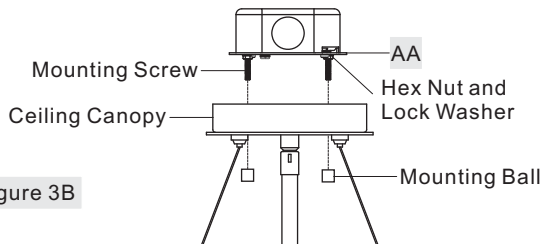


Figure 3B

STEP 4B - Wire Connections

- A. Use standard wire connectors (not included) to make all the wire connections. Twist the connectors until the wires are tightly joined together. Wrap each connection with approved electrical tape and carefully stuff all the connected wires into the Outlet Box.

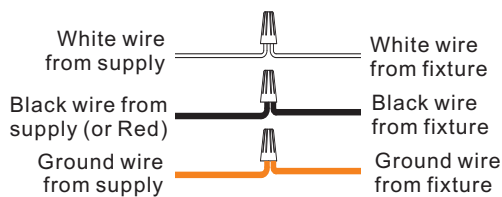


Figure 4B

STEP 5B – Install the Fixture Body

- A. Position the ceiling canopy and fixture body onto the Crossbar Assembly (AA). Place the holes in the ceiling canopy over the mounting screws. Secure the ceiling canopy and fixture body by using the mounting balls and hand tighten the mounting balls until snug.

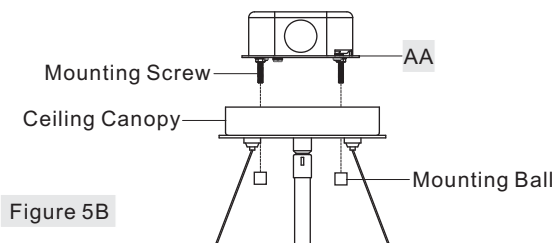


Figure 5B

STEP 6B – Install Bulbs, Diffuser and Cap

- A. Thread the beaded end of the Stem with Hex Nut (F) into hex coupling underside of the Socket Assembly (E). Hand tighten until snug.
 B. Adjust the hex nut on the end of the Stem with Hex Nut (F) to proper location for rest components. Pass the Flat Washers (G), the Rubber Washers (H) and the Diffuser (B) over the end of Stem (F) as shown in the illustration. Secure them together with the Hex Nut (I), tighten gently until snug.
 C. Place the Cap (J) over the end of the Stem (F) and secure with the Finial (K). Hand tighten until snug.
 D. Insert bulbs onto sockets and screw snugly into place.

Your fixture is now assembled and ready to use. Enjoy!

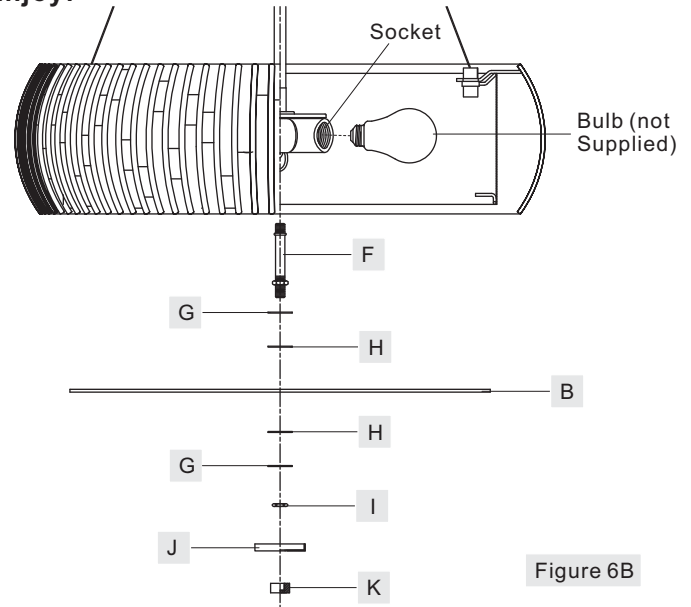
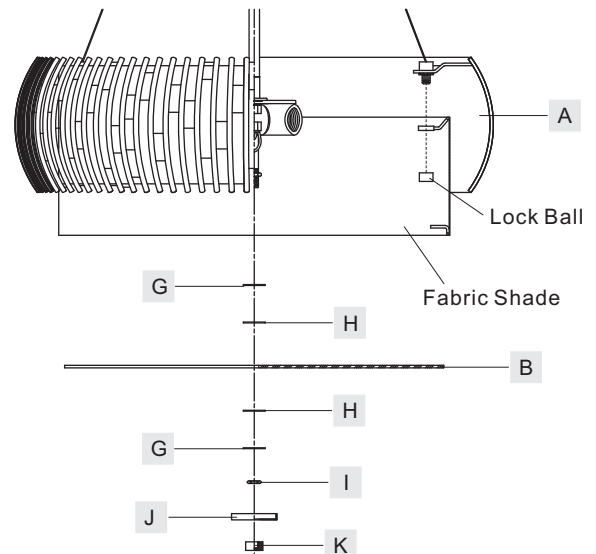


Figure 6B

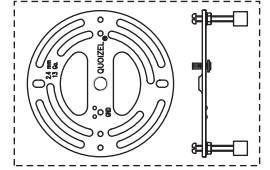
HOW TO REPLACE THE FABRIC SHADE

- A. Remove the Cap (J) by unlocking the Finial (K).
 B. Remove the Diffuser (B), the Rubber Washers (H) and the Flat Washers (G) by unscrewing the Hex Nut (I).
 C. Remove the Fabric Shade by unlocking the Lock Balls in the top edge of the Shade. Replace the Fabric Shade with one replacement shade and secure with the removed Lock Balls, tighten until snug.
 D. Reverse Step A - Step B to assemble the previously removed parts back onto the fixture.

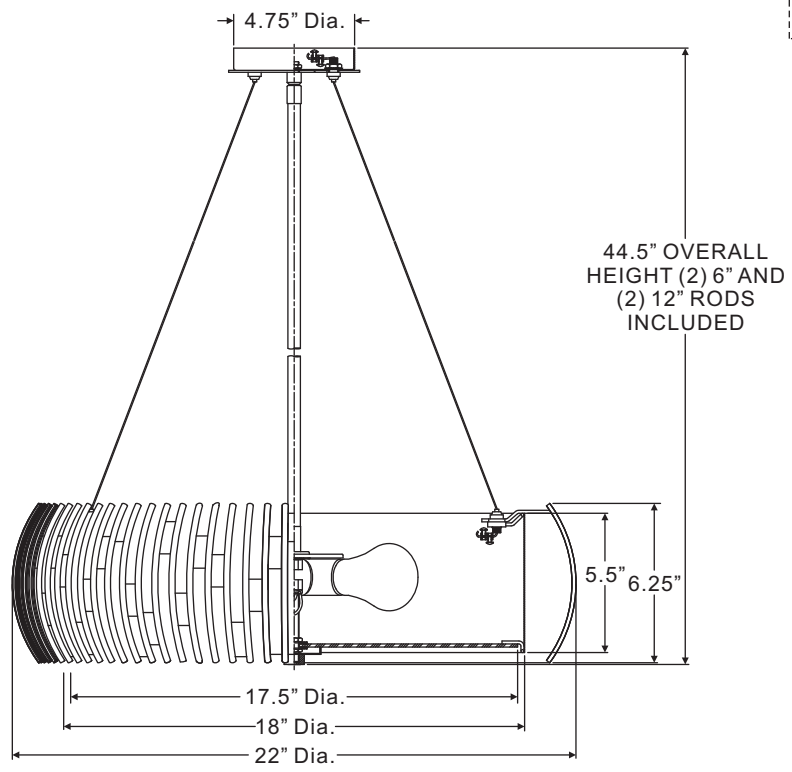
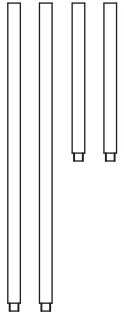


Thank you for purchasing a Quoizel product.
 Need assistance with parts or assembly? Call Quoizel customer service at 1-800-645-3184
 or visit us on-line at www.quoizel.com

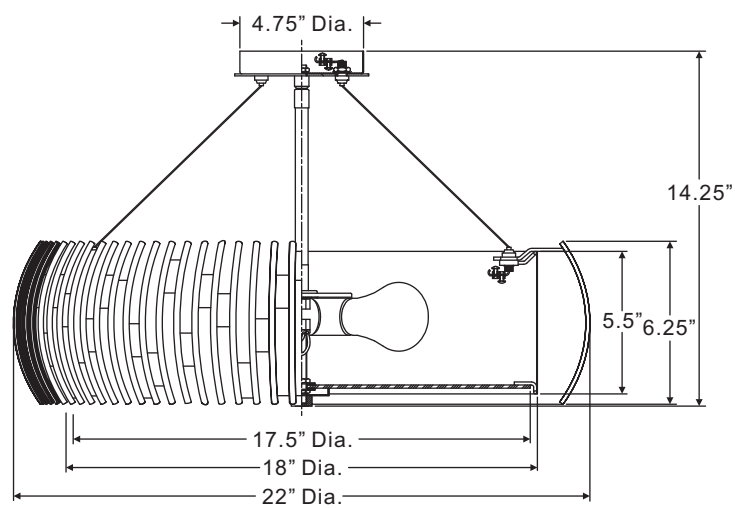
BGE2822AP	BGE2822WT
FINISH: ANTIQUE POLISHED NICKEL	FINISH: WESTERN BRONZE



PENDANT LIGHT



SEMI-FLUSH



NOTE: ALL DIMENSIONS ARE ROUNDED UP TO THE NEAREST 1/4"

Thank you for purchasing a Quoizel product.
 Need assistance with parts or assembly? Call Quoizel customer service at 1-800-645-3184
 or visit us on-line at www.quoizel.com