

Please go to www. quozel. com for product cleaning tips. Go to the **Care + Maintenance** selection.

Tools Required: Flathead screwdriver, Phillips screwdriver, pliers, wire cutters, wire strippers, electrical tape, safety glasses.

Light Source: (4) Medium Base 100W bulbs Maximum.

Estimated Assembly Time: 30-45 minutes

Preparation: Identify and inspect all parts before beginning installation. Check package content list and diagrams below to be sure all parts are present. If any parts are missing or damaged, do not attempt to assemble, install, or operate the fixture. Contact customer service for replacement parts.

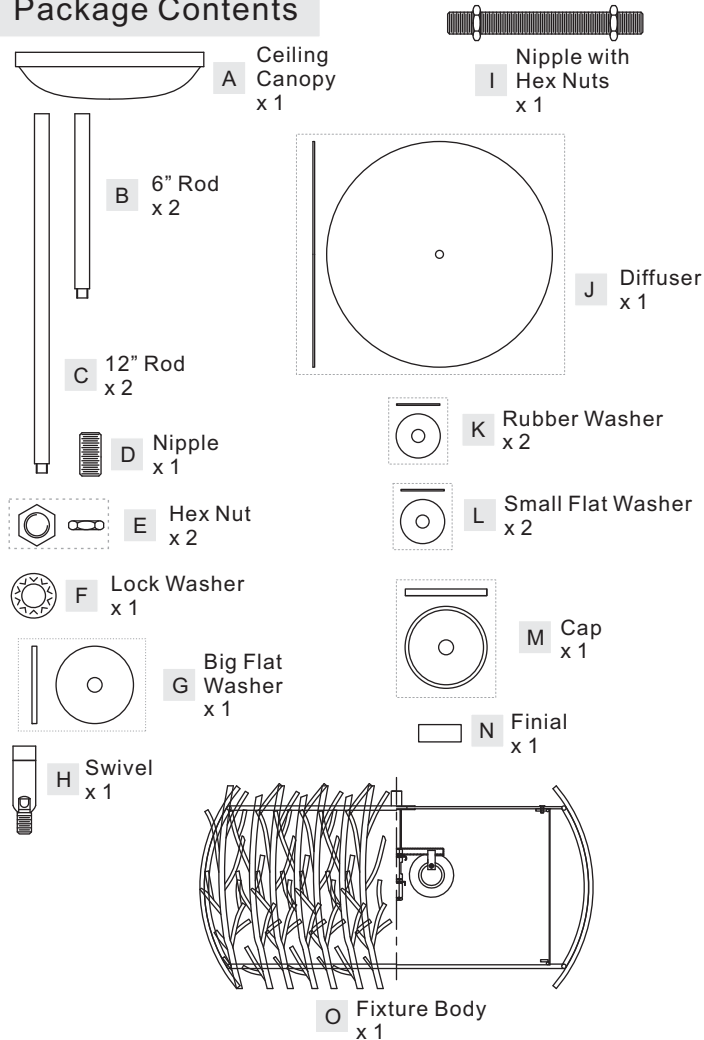
⚠ Warnings and Cautions

Turn off electricity at circuit breaker or main fuse box before installation. Consult a licensed electrician if in doubt.

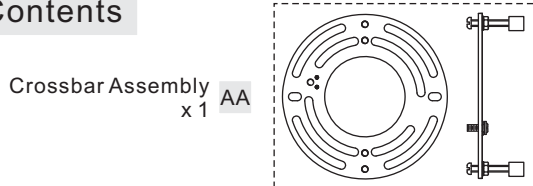
These instructions are provided for your safety. It is very important you read them completely before installing the fixture. We strongly recommend that a licensed, professional electrician perform the installation.

Disconnect fixture from power source before replacing bulbs. Make sure bulbs are given sufficient time to cool before removal.

Package Contents



Hardware Contents



Assembly Instructions for Pendant Light (Step 1A - Step 7A)

STEP 1A – Attach Swivel and Ceiling Canopy

- Thread Nipple (D) onto the Swivel (H).
- Place Ceiling Canopy (A), Big Flat Washer (G) and Lock Washer (F) over the Nipple (D) as shown in the illustration. Secure by threading Hex Nut (E) onto the Nipple (D), tighten until snug with pliers.

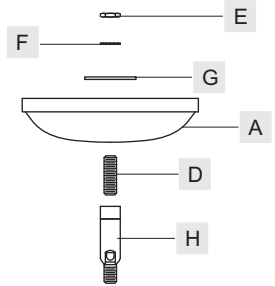


Figure 1A

STEP 2A – Assemble Rods and the Ceiling Canopy

- Determine Rods (B/C) to be assembled to Fixture Body (O) according to your hanging height.
- Pass supply wires and ground wire through the chosen rods (B/C) and Ceiling Canopy (A). Thread Fixture Body (O), the chosen Rods (B/C) and the Swivel (H) together. Hand tighten until snug.

Suggested rods for Ceiling height :
8' ceiling : use (2) 12" rods
9' ceiling : use (2) 6" rods and (2) 12" rods

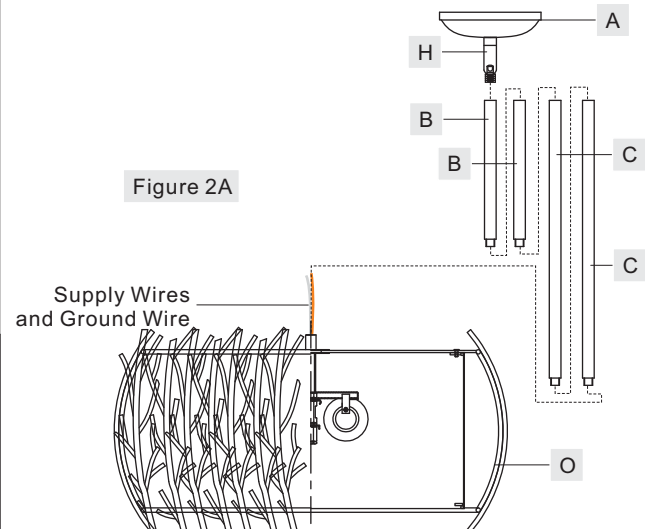


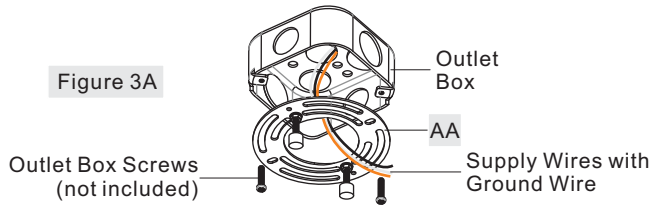
Figure 2A

Thank you for purchasing a Quoizel product.

Need assistance with parts or assembly? Call Quoizel customer service at 1-800-645-3184 or visit us on-line at www. quozel. com

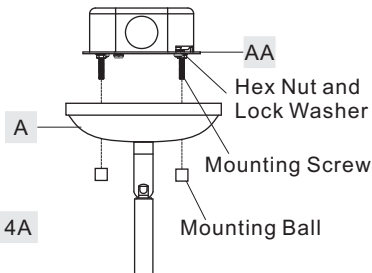
STEP 3A - Install Crossbar Assembly

- A. Pass the supply wires through the Crossbar Assembly (AA). Attach the Crossbar Assembly (AA) to the Outlet Box with the head of the Green Ground Screw facing you. Secure it with Outlet Box Screws (not included). Tighten until snug.



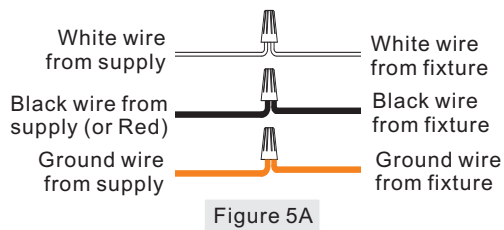
STEP 4A - Test Fitting Ceiling Canopy to Crossbar Assembly

- A. Remove mounting balls from Crossbar Assembly (AA). Fit Ceiling Canopy (A) to Crossbar Assembly (AA) and secure with mounting balls. Note: The Ceiling Canopy (A) should be snug against the ceiling and the mounting balls. If Not, adjust the length of mountingscrews on the Crossbar Assembly (AA) by unscrewing the preassembled hex nut and lock washer and then screwing mounting screws in or out of the crossbar until the correct length is achieved. Once the Ceiling Canopy (A) is secure, remove mounting balls and Ceiling Canopy (A) and proceed to Step 5A.



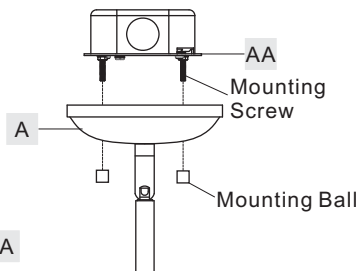
STEP 5A - Wire Connections

- A. Use standard wire connectors (not included) to make all wire connections. Twist connectors until wires are tightly joined together. Wrap each connection with approved electrical tape and carefully stuff all the connected wires into the Outlet Box.



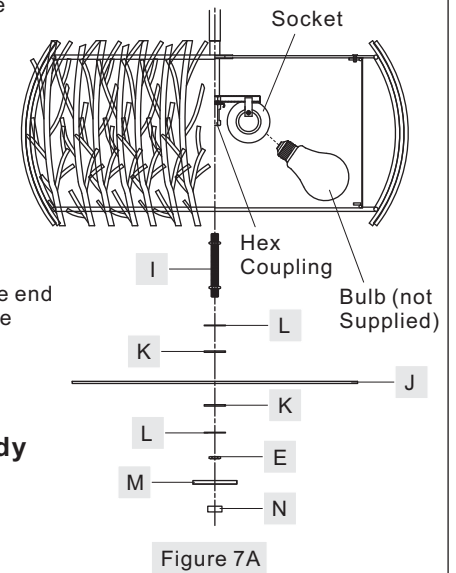
STEP 6A - Install Fixture Body

- A. Carefully tuck all wires into the outlet box and position Ceiling Canopy (A) over the outlet box. Align the holes in Ceiling Canopy (A) with mounting screws, then attach Ceiling Canopy (A) using the previously removed mounting balls. Hand tighten until snug.



STEP 7A - Install Crossbar Assembly

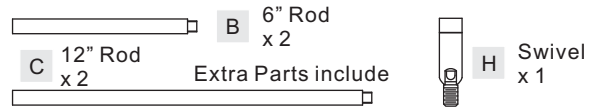
- A. Thread one end of Nipple with Hex Nuts (I) into hex coupling underside of socket. By using pliers, thread the hex nut against the hex coupling and hand tighten until snug.
 B. Insert bulbs onto sockets and screw snugly into place.
 C. Adjust hex coupling on the bottom end of Nipple (I) to proper location for rest components. Place Rubber Washers (K), Small Flat Washers (L) and Diffuser (J) over end of Nipple (I) as shown in the illustration. Secure by threading Hex Nut (E) onto the Nipple (I). Hand tighten until snug.
 D. Place the Cap (M) over the end of the Nipple (I) and secure with the Finial (N). Hand tighten until snug.



Your fixture is now assembled and ready to use. Enjoy!

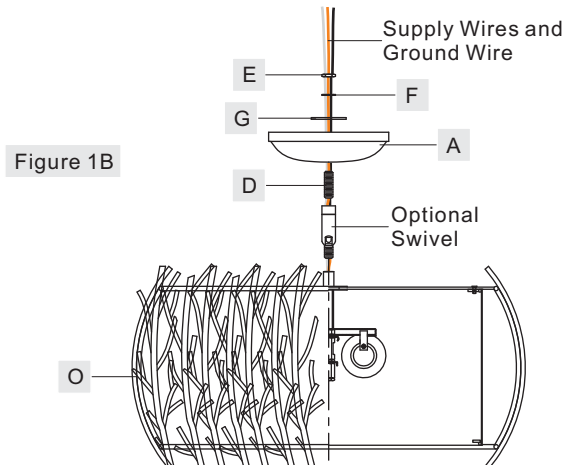
Assembly Instructions for Semi-flush Light (Step 1B - Step 6B)

Part B, Part C and Part H will not be used in the assembly of the Semi-Flush Light fixture. Please set aside these parts.



STEP 1B - Install Ceiling Canopy to Socket Assembly

- A. Pass supply wires with ground wire through Nipple (D), Ceiling Canopy (A), Big Flat Washer (G), Lock Washer (F) and Hex Nut (E). Thread Nipple (D) onto Socket Assembly (O). Place Ceiling Canopy (A), Big Flat Washer (G) and Lock Washer (F) onto Nipple (D). Secure by threading Hex Nut (E) onto Nipple (D). Hand tighten until snug. Cut the wires leaving approximately 6" of wire extending from the Ceiling Canopy.
 B. Optional Swivel: Install the swivel to Socket Assembly (O) and then attach Nipple (D) and Ceiling Canopy (A) to the Swivel using Big Flat Washer (G), Lock Washer (F) and Hex Nut (E) as in step A.



Thank you for purchasing a Quoizel product.
Need assistance with parts or assembly? Call Quoizel customer service at 1-800-645-3184 or visit us on-line at www.quoise.com

STEP 2B – Install Crossbar Assembly

A. Pass the supply wires through the Crossbar Assembly (AA). Attach the Crossbar Assembly (AA) to the Outlet Box with the head of the Green Ground Screw facing you. Secure it with Outlet Box Screws (not included). Tighten until snug.

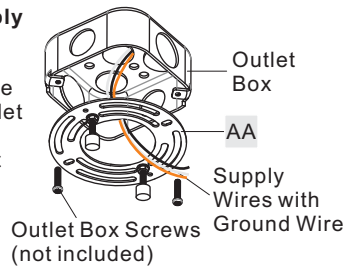


Figure 3B

STEP 3B – Test Fitting Ceiling Canopy to Crossbar Assembly

A. Remove mounting balls from Crossbar Assembly (AA). Fit Ceiling Canopy (A) to Crossbar Assembly (AA) and secure with mounting balls. Note: The Ceiling Canopy (A) should be snug against the ceiling and the mounting balls. If Not, adjust the length of mounting screws on the Crossbar Assembly (AA) by unscrewing the preassembled hex nut and lock washer and then screwing mounting screws in or out of the crossbar until the correct length is achieved. Once the Ceiling Canopy (A) is secure, remove mounting balls and Ceiling Canopy (A) and proceed to Step 4B.

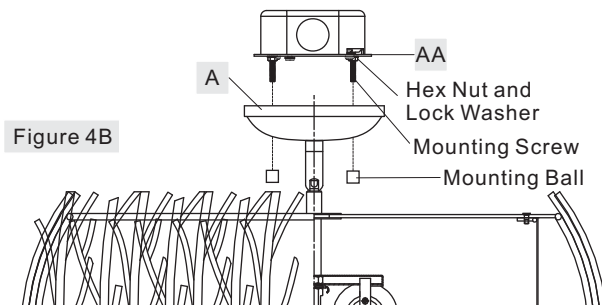


Figure 4B

STEP 4B - Wire Connections

A. Use standard wire connectors (not included) to make all wire connections. Twist connectors until wires are tightly joined together. Wrap each connection with approved electrical tape and carefully stuff all the connected wires into the Outlet Box.

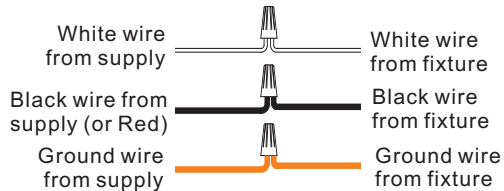


Figure 4B

STEP 5B – Install Fixture Body

A. Carefully tuck all wires into the outlet box and position Ceiling Canopy (A) over the outlet box. Align the holes in Ceiling Canopy (A) with mounting screws, then attach Ceiling Canopy (A) using the previously removed mounting balls. Hand tighten until snug.

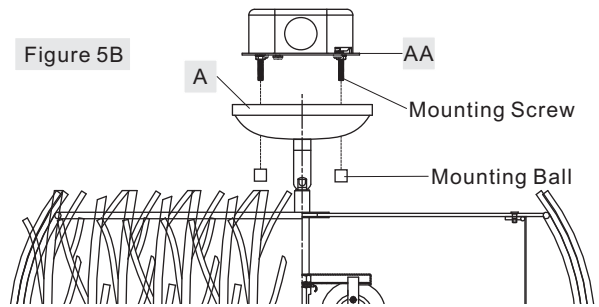


Figure 5B

STEP 6B – Install Crossbar Assembly

A. Thread one end of Nipple with Hex Nuts (I) into hex coupling underside of socket. By using pliers, thread the hex nut against the hex coupling and hand tighten until snug.
B. Insert bulbs onto sockets and screw snugly into place.

C. Adjust hex coupling on the bottom end of Nipple (I) to proper location for rest components. Place Rubber Washers (K), Small Flat Washers (L) and Diffuser (J) over end of Nipple (I) as shown in the illustration. Secure by threading Hex Nut (E) onto the Nipple (I). Hand tighten until snug.

D. Place the Cap (M) over the end of the Nipple (I) and secure with the Finial (N). Hand tighten until snug.

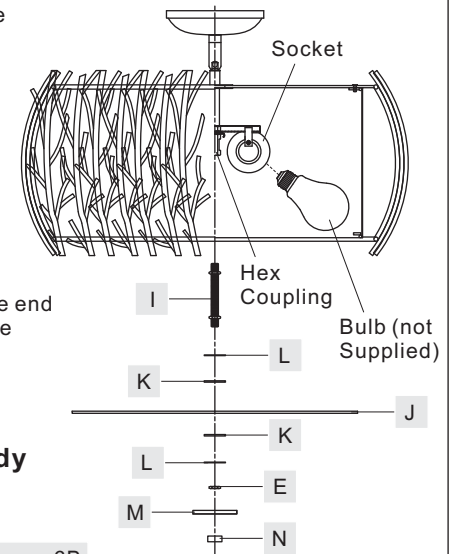


Figure 6B

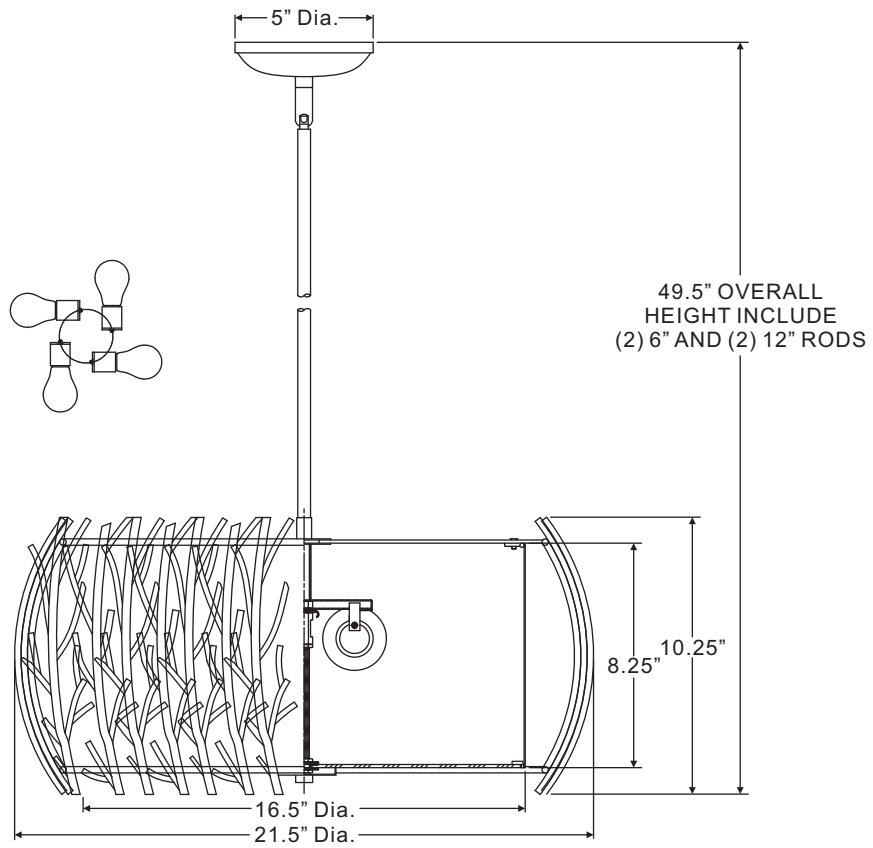
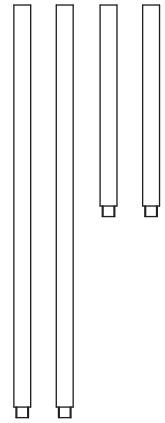
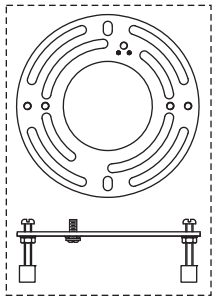
Your fixture is now assembled and ready to use. Enjoy!

Thank you for purchasing a Quoizel product.
Need assistance with parts or assembly? Call Quoizel customer service at 1-800-645-3184
or visit us on-line at www.quoise.com

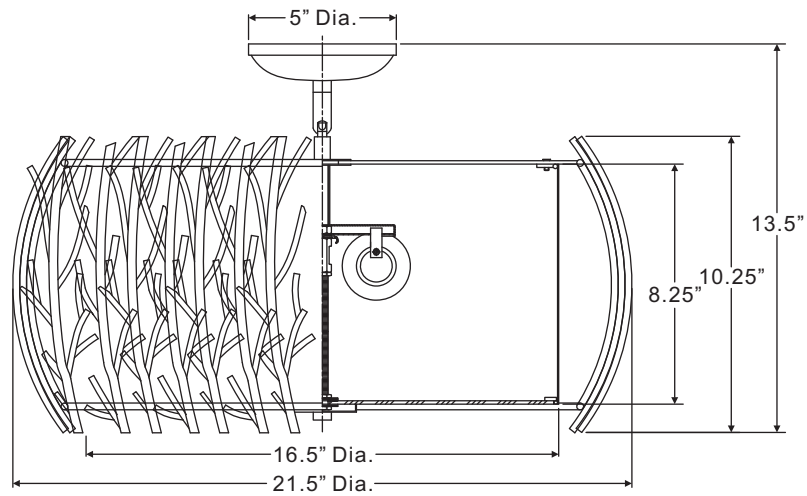
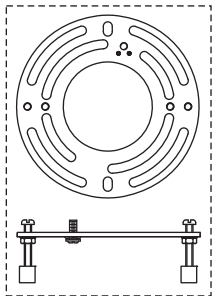
QF2782DC

FINISH: DARK CHERRY

PENDANT LIGHT



SEMI-FLUSH



NOTE: ALL DIMENSIONS ARE ROUNDED UP TO THE NEAREST 1/4"

Thank you for purchasing a Quoizel product.
Need assistance with parts or assembly? Call Quoizel customer service at 1-800-645-3184
or visit us on-line at www.quoise.com