



Recessed Hole



Pre-Checked

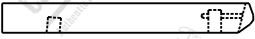

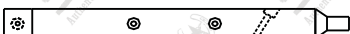
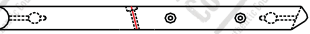

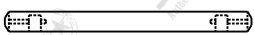
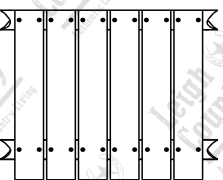
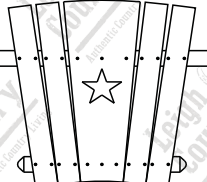
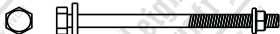


- Durable log construction.
- Exclusive Char-log® finish and design
- Patent pending crack resistant design and process

IMPORTANT: READ CAREFULLY BEFORE BEGINNING!

1. Do not tighten bolts until fully assembled.
 2. Recessed holes to face outward.
 3. Insert bolts with washer and secure with washer and nut.
 4. Pre-checked side must always face downward or inward.
- Special Char-log® heat curing, preserving, finishing Process resists mildew, mold, and stains
 - Varnished to preserve Char-log® finish

TX 93605 SINGLE ROCKER WITH STAR

Parts

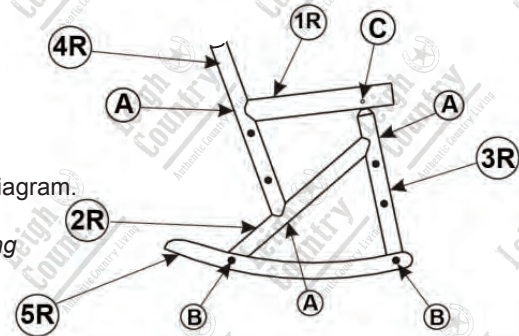
- ①  ARM REST
LENGTH: 21.3" x 2pc
- ②  DIAGONAL LOG
LENGTH: 28.3" x 2pc
- ③  FRONT VERTICAL LOG W/DOWELED
LENGTH: 25.6" x 2pc
- ④  BACK VERTICAL LOG
LENGTH: 28" x 2pc
- ⑤  ROCKER RUNNER
LENGTH: 35.6" x 2pc
- ⑥  LOWER SUPPORT BEAM
LENGTH: 22.5" x 1pc
- ⑦  SEAT PANEL
x 1pc
- ⑧  BACK PANEL
x 1pc
- ⑨  NUT & BOLT: N08-12 x 16pc
- ⑩  NUT & BOLT: N08-8 x 4pc
- ⑪  SCREW: S04-4 x 2pc

Assemble

STEP 1: Assembling the Rocker Arm Frame

Take one piece of the following parts with a letter "R" behind each number: 1, 2, 3, 4, 5 ("R" = RIGHT)

- 1: Part 1 to part 4
- 2: Part 2 to part 3
- 3: Part 3 to part 1
- 4: Part 4 to part 2
- 5: Part 5 to part 2 and 3

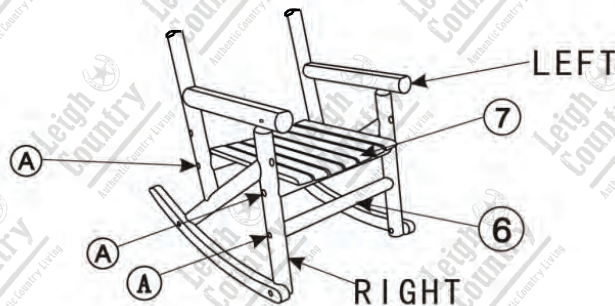


Use indicated hardware, directed by diagram.

REPEAT steps 1 through 5 above using parts labeled with a letter "L" (LEFT) after the part number.

STEP 2: Assembling the Bottom Half

Take assembled SEAT PANEL (7) and one of the arm frames, keep the arm frame standing and attached the SEAT PANEL (7) to the inside of the arm frame, secure with the indicated nuts and bolts.



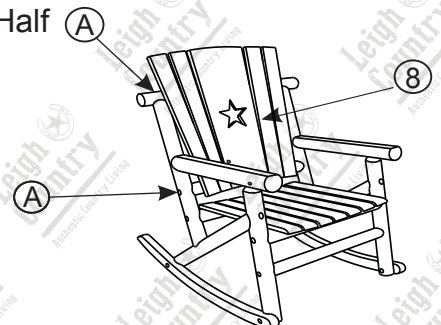
Insert the other arm frame on the other side and secure loosely with nuts and bolts.

Take the lower support beam and secure under the seat between the arm frame with nuts and bolts.

STEP 3: Assembling the Upper Half

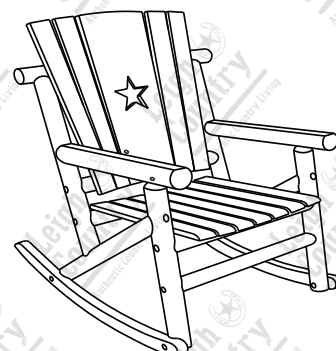
Once the bottom half is finished, take the BACK PANEL (8) and place it gently on part 4 of the arm frame.

Secure with indicated hardware in the diagram.



STEP 4: FINISH

Tighten all nuts, bolts, and screws once every part and assembled pieces are in place.



Congratulations on your assembly!

Limited Warranty and Care Instructions for CHAR-LOG® Products

Limited one year Finish Warranty ** (non-transferable) **

This product is covered under United General Supply's (UGS) one (1) year limited warranty. To the original purchaser of this piece of Char-log® furniture, UGS warrants that it will be free from defects in material and workmanship for up to one year from the date of purchase under normal use and proper care.

Replacement of defective or missing parts will be sent at no charge to the customer for a period of 15 days from the date of purchase. UGS will no longer be responsible for missing parts or hardware 15 days after date of purchase. Freight, packaging, labor or material charges to and from our customer service center is not covered under the warranty and is therefore the customer's responsibility.

The limited warranty does not cover this piece of Char-log® furniture for commercial purposes, abusive use, damage by modification, freeze damage, rust, fading and issues caused by improper care.

Proper Care Instructions

If left untreated, the wood will naturally weather. To preserve and maintain the original finish, we recommend that a light lacquer coating be applied every 4 to 6 months depending on the seasons. During a long periods of non-use, store furniture in covered and dry place. For the least maintenance, use under covered area.

We recommend a exterior poly-urethane product that features a clear satin or semi-gloss finish and a fast drying process.

Proof of purchase (date register receipt) and photos will be required for warranty claims.

For any questions or claims, please contact customer service.

Customer Service

1-877-87LEIGH (53444)

info@leetools.com



Distributed by:
United General Supply Co., Inc.
Houston, TX 77036

© Copyright U.G.S. Co., 2011
All rights reserved
Made in China

www.leighcountry.com