

**COASTER**<sup>®</sup>  
Fine Furniture

**504073**  
**CHAIR**

---

**ASSEMBLY INSTRUCTION**

**COASTER FINE FURNITURE**



**[WWW.COASTERCOMPANY.COM](http://WWW.COASTERCOMPANY.COM)**

---

# Assembly Instruction

## ASSEMBLY TIPS:

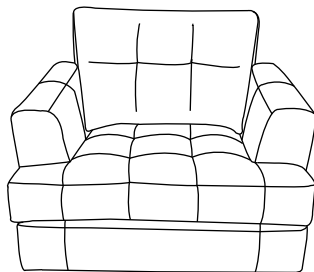
- 1.Remove hardware from box and sort by size
- 2.Please check to see that all hardware and parts are present prior to start of assembly
- 3.Please follow attached instructions in the same sequence as numbered to assure fast & easy assembly.

**⚠ Warning!**

- 1.Do not attempt to repair or modify parts that are broken or defective,Please contact the store immediately.
- 2.This product is for home use only and not intended for commercial establishment.

## PARTS IDENTIFICATION

(A )



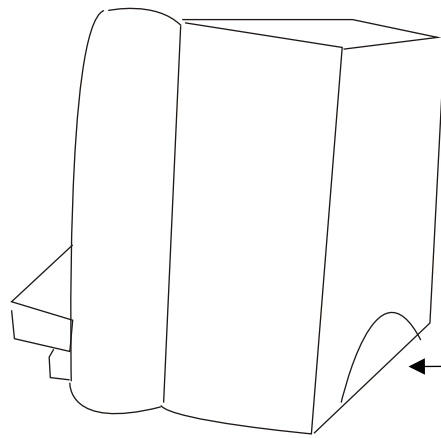
CHAIR 1 PC

(B)



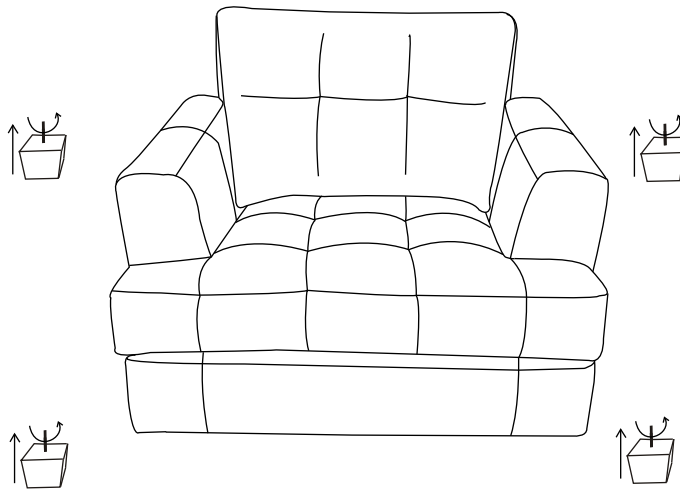
LEG 4PCS

STEP 1



Legs took out of the chair

STEP 2



STEP 3

