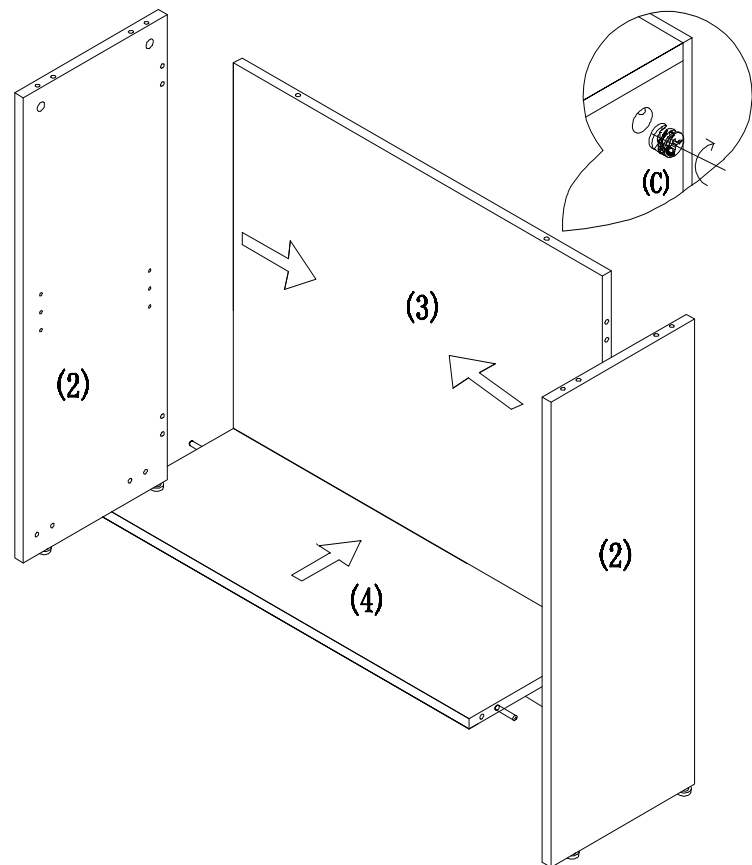
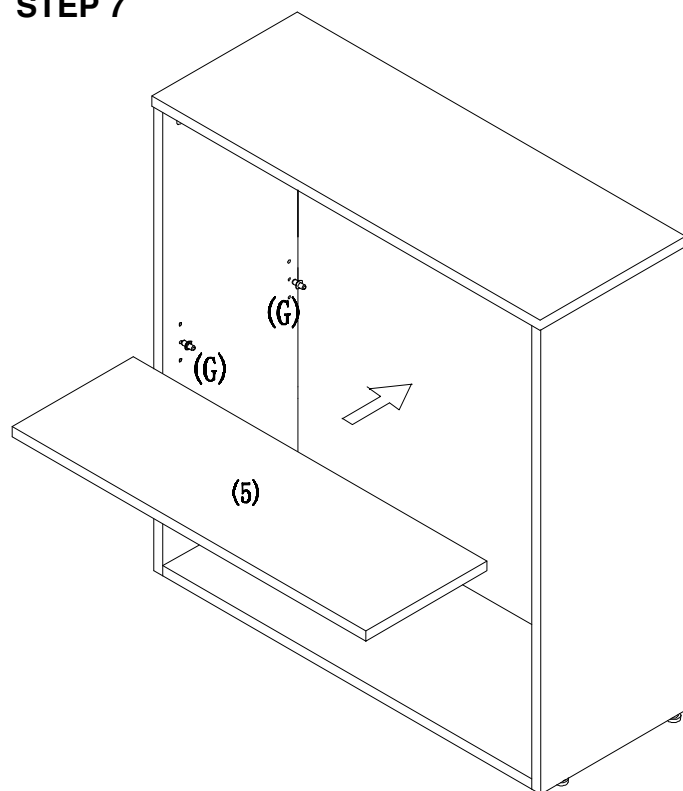


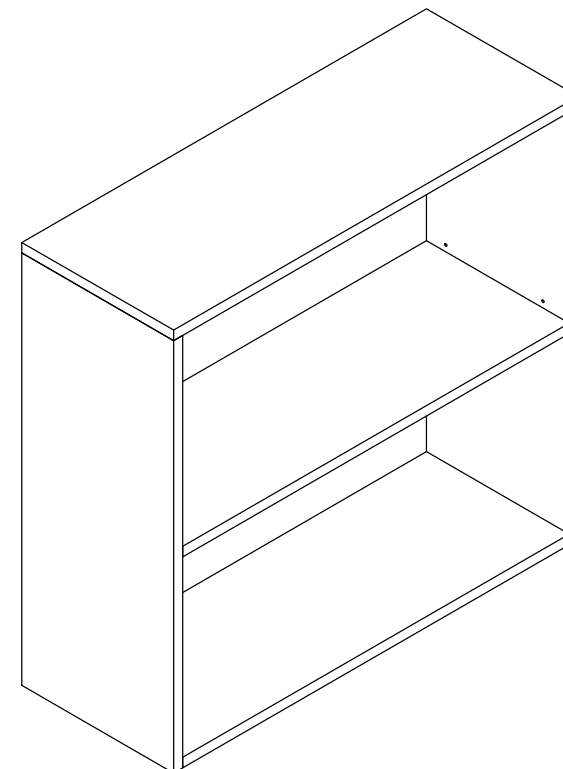
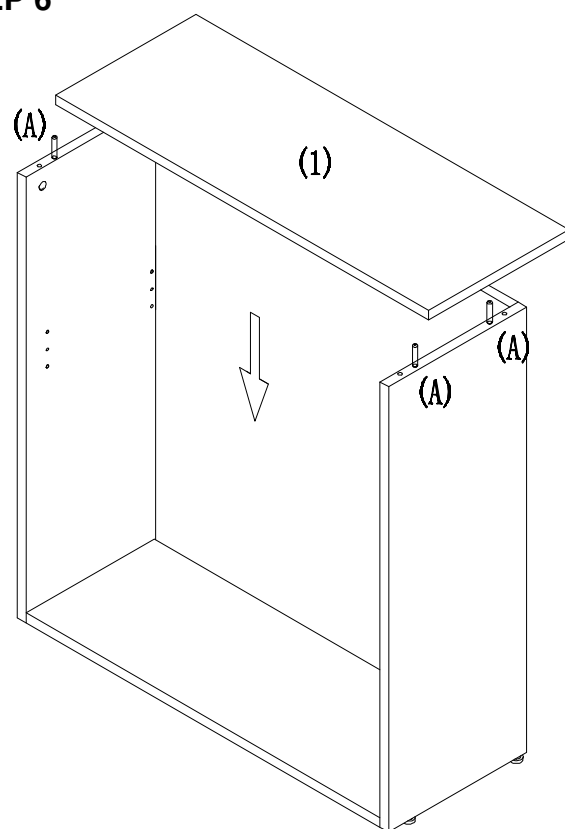
STEP 5



STEP 7



STEP 6



WARNING

1. Use this product for its intended purpose.
2. Do not sit or stand on this product.
3. Do not use unless all fasteners are secured. At least every six months, check all connections to ensure they are tight.
4. All pedestals with drawers must be secured in position.
5. Open only one drawer at a time on any unit with drawers.
6. Do not modify this product in any way.
7. If any parts are missing, broken, damaged or worn, stop use of the product until repairs are made using factory authorized parts.
8. Dispose of packing material properly.
9. Failure to follow these warnings could result in serious injury.

PROLINE II LIMITED WARRANTY

ProLine II chairs are warranted from the date of purchase against failure due to material and workmanship as follows:

- Lifetime on component parts including pneumatic cylinder, control mechanism, base and casters.
- 3 Years on upholstery fabric and foam against wear and deterioration.
- Leather is not warranted against routine scratching and scuffing, as leather is subject to minor blemishes in use.

Elite chairs (54666) are warranted from the date of purchase against failure due to material and workmanship as follows:

- 5 Years on component Parts Including pneumatic cylinder, control mechanism, base and casters.
- 2 Years on upholstery fabric and foam against wear and deterioration.

ProLine II Desks are warranted from the date of purchase against failure due to material and workmanship as follows:

- Prado Collection = 5 Years
- Horizon Desking & Wood Conference (CT) Tables = 3 Years

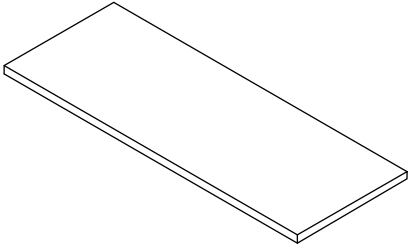
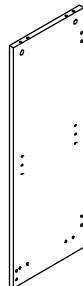

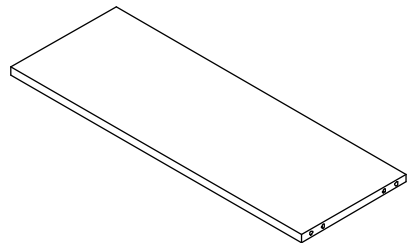
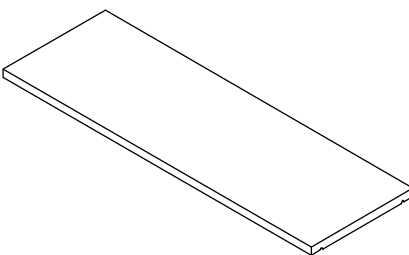
Grain, color and finishes





Variation of grain and color are natural, inherent characteristics of wood, a living material. This variation is part of the beauty of real wood and anticipated in wood veneer furnishings. Therefore, Proline II furniture is not warranted to match in grain or color or texture. It is a natural phenomenon for wood grain to change in color as it ages, and wood finishes are not warranted for colorfastness.

All warranties are limited to the original purchaser for normal commercial usage defined as a standard forty hour work week by persons weighing 250 lbs. or less. The 54666 is for persons weighing 300 lbs. or less. The 7103M, 7602R, 7605R, 7600R, 81108, 81308 & 81608 are for persons weighing 400 lbs. or less. This warranty will not cover labor, freight or damage from misuse, abuse, negligence, alteration, accident, vandalism, rusting, acts of nature or any other event beyond the control of Office Star Products. The warranty does not cover cosmetic damage that may result from normal use. Liability for incidental or consequential damages is excluded. The user assumes all risk of injury resulting from use of this product. When usage is more than 40 hours per week, a five year warranty on all parts applies. Fabric is warranted for one year. This warranty gives you specific legal rights, and you may also have other rights which vary from state to state.

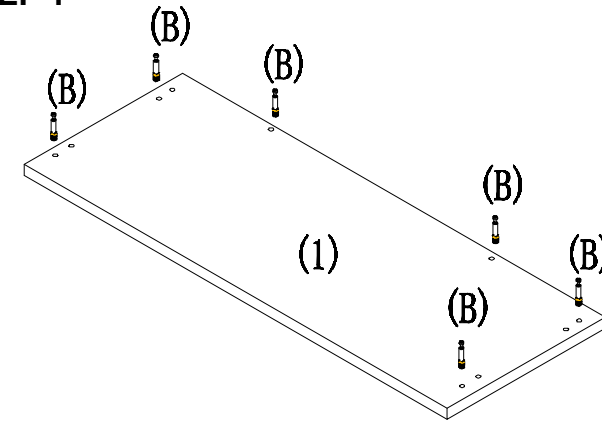
All ProLine II chairs meet or exceed ANSI BIFMA standards.

PRD3230 Consists of:

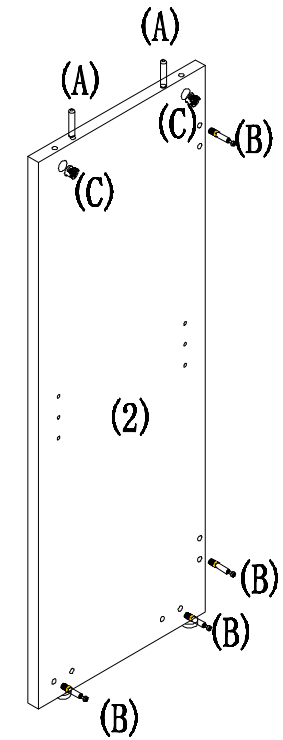
1 - Top (1 pc)	2 - Side Panel (2 pcs)
	
3 - Back Panel (1 pc)	4 - Bottom Panel (1 pc)
	
5 - Adjustable Shelf (1 pc)	
	

No.	Drawing	Description	Qty.	No.	Drawing	Description	Qty.
A		Dowel	12 pcs	C		Cam Lock	16 + 1 pcs
B		Cam Bolt	16 pcs	D		Shelf Pin	4 pcs

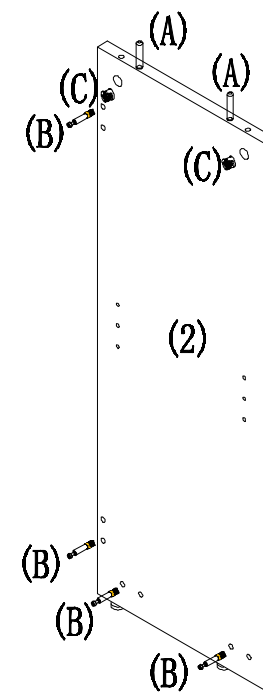
STEP 1



STEP 2



STEP 3



STEP 4

