

PARTS & ASSEMBLY SHEET



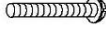




Fixture Name: Waverly 3500--1W AB

This fixture assembled PO: _____ Date: _____

Notice: Please review the parts listing and check for all parts before assembling the fixture. If any parts are missing or damaged, please note on this sheet and contact the place of purchase to arrange for replacement parts.

PARTS LIST

Company Name: _____ Co. Account #: _____
below to be filled out by retailer

Mounting Strap 1ea 4" 	Junction Box Screw 2ea 8/32"x1" 	Mounting Screw 2ea 8/32"x28mm 
Wire Connector 3ea P4 Orange 	Hex Nut 2ea 8/32"x3.5mm 	Deco Nut (round nut) 2ea 12mm 
Green Ground Screw 1ea 8/32"x10mm 		

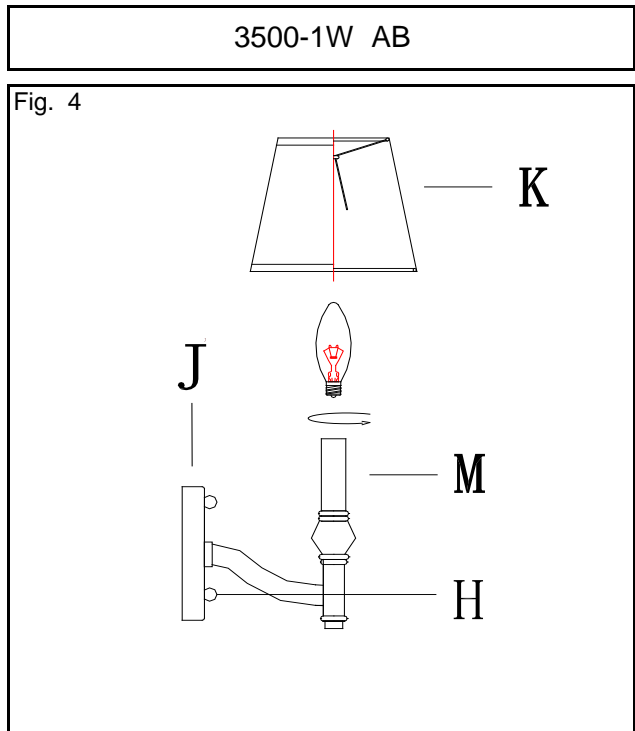
Part Needed _____	Quantity _____
Part Needed _____	Quantity _____
Reason why (missing, scratched, broken glass, bent, bad finish)	
Comments _____	

FIXTURE ASSEMBLY INSTRUCTIONS

Read and review installation instruction sheet before assembling the fixture.

1. Install the light bulb in accordance with the fixture's specifications.
2. Carefully clip the Fabric Shade (K) onto the bulb.

(DO NOT EXCEED THE MAXIMUM WATTAGE RATING!)



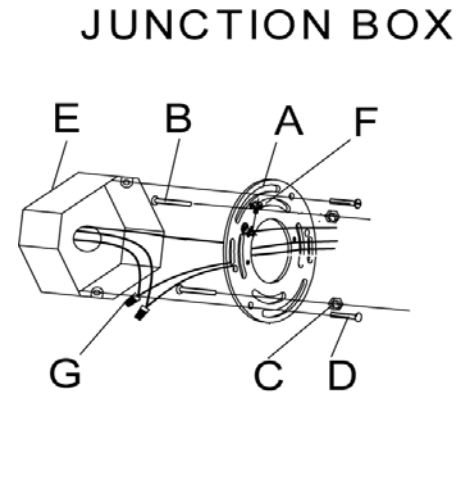
For Customer Service, contact the place of purchase to arrange for replacement parts.

WARNING ! SHUT OFF POWER AT FUSE OR CIRCUIT BREAKER.

HANGING THE FIXTURE (Fig. 1)

- Carefully remove the new fixture from the carton and the yellow bag that holds all your parts. Check that all parts are included as shown in the illustrations and the Parts List.
- Shut off power at the circuit breaker and completely remove the old fixture from wall, including the old mounting strap.
- Mounting Strap(A) contains several pairs of threaded holes. Find the pair of holes that match the spacing of the holes in Back Plate (K). Thread the Mounting Screws(B) half way into Mounting Strap(A).
- Place Mounting Strap (A) over the Junction Box (E) so the Mounting Screws (B) are vertical or horizontal, as required by fixture type.
- Attach Mounting Strap (A) to the Junction Box (E) by using Mounting Screws(D). Tighten the screws securely.

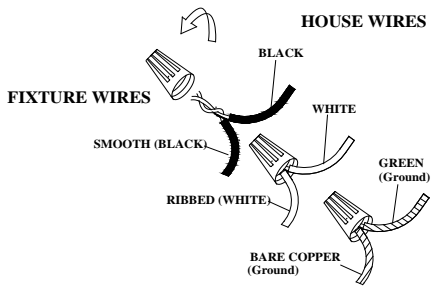
Fig. 1



CONNECTING THE WIRES (Fig. 2)

- Attach the power supply wires to the fixture lead wires by connecting BLACK to BLACK (or SMOOTH) and WHITE to WHITE (or RIBBED) .
- Ground wire connection: Connect the fixture ground wire to house ground wire, which usually has green or copper insulation, with the correct size of wire connector. If there is no house ground wire at ceiling junction box then attach fixture ground wire securely onto green grounding screw located on the mounting bar.

Fig. 2



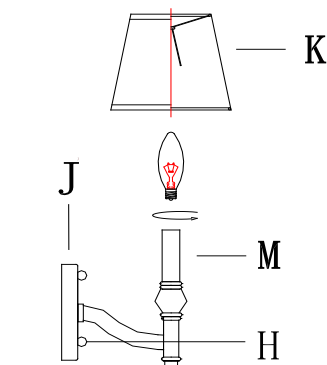
NOTE: Twist the wires together in the same direction that you twisted the wire connector onto the wires.

- Tuck the wire connections neatly into the Junction Box.

FINISHING THE INSTALLATION (Fig.3)

- Place Back Plate (J), over Mounting Screws(B), so that the screws protrude through the holes in Back Plate (J).
- Thread Deco Nuts (H) onto Mounting Screws (B) and continue turning until the Back Plate (J) is snug against the wall.
- Carefully press the clips inside of the shade (K) onto the bulb.

Fig. 3



YOUR INSTALLATION IS NOW COMPLETE. RETURN POWER TO THE JUNCTION BOX AND TEST THE FIXTURE.