

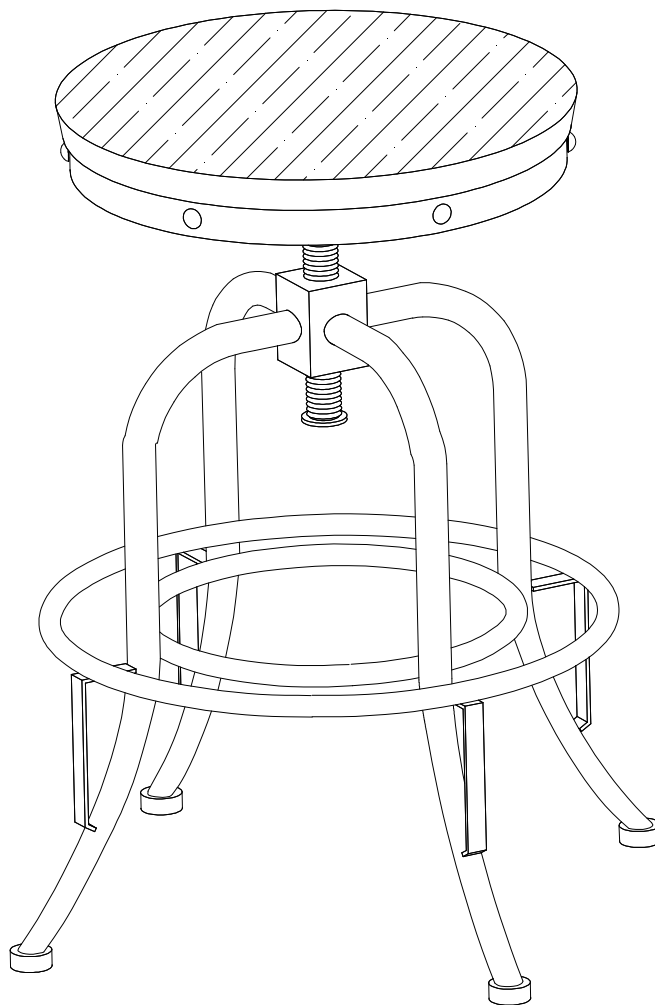
BC245300TX
Industrial Adjustable Stool
Assembly Instructions



Southern
ENTERPRISES

For assistance with assembly, contact:
Southern Enterprises Inc.
Customer Service 1-800-633-5096
service@seidal.com
www.seidal.com

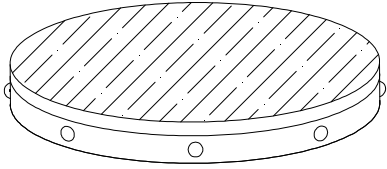
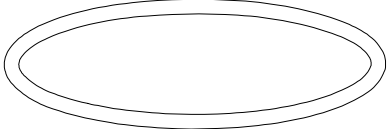
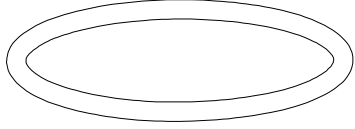
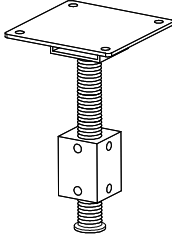
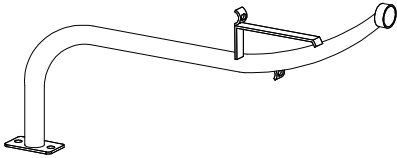
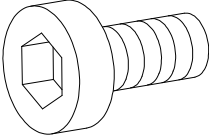
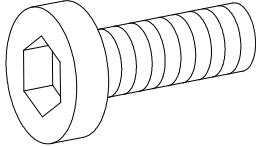
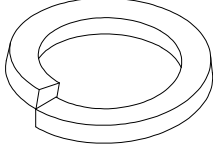
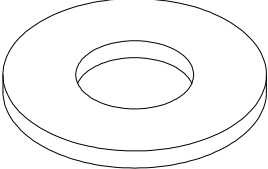
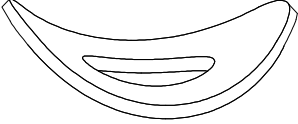

PO# :



Industrial Adjustable Stool

Parts List

Please check packaging for all parts and hardware before discarding. Unpack and lay parts on clean, padded surface like carpet or blanket. Check that you have all parts indicated. Call customer service if hardware is missing. Before beginning assembly, carefully study the diagrams below and sort your hardware according to the pictures. Using the incorrect hardware will cause damage.

<p>A. Quantity of 1</p>  <p>Seat</p>	<p>B. Quantity of 1</p>  <p>Footrest Ring</p>	<p>C. Quantity of 1</p>  <p>Bottom Metal Ring</p>
<p>D. Quantity of 1</p>  <p>Adjustable Leveler</p>	<p>E. Quantity of 4</p>  <p>Leg</p>	
<p>1. Quantity of 8</p>  <p>Bolt : ϕ 1/4"X13mm</p>	<p>2. Quantity of 12</p>  <p>Bolt: ϕ 1/4"X 19mm</p>	<p>3. Quantity of 20</p>  <p>Spring Washer</p>
<p>4. Quantity of 12</p>  <p>Flat Washer</p>	<p>5. Quantity of 8</p>  <p>Flat Washer</p>	<p>6. Quantity of 1</p>  <p>Allen Wrench</p>

Care and Cleaning Instructions:

Before using, wipe with a clean, dry cloth. Periodically apply furniture wax to renew the finish. Avoid rubbing or scratching the surface with rough or abrasive objects.

For replacement parts or questions, please call customer service at 1-800-633-5096.

Industrial Adjustable Stool

Assembly Instructions

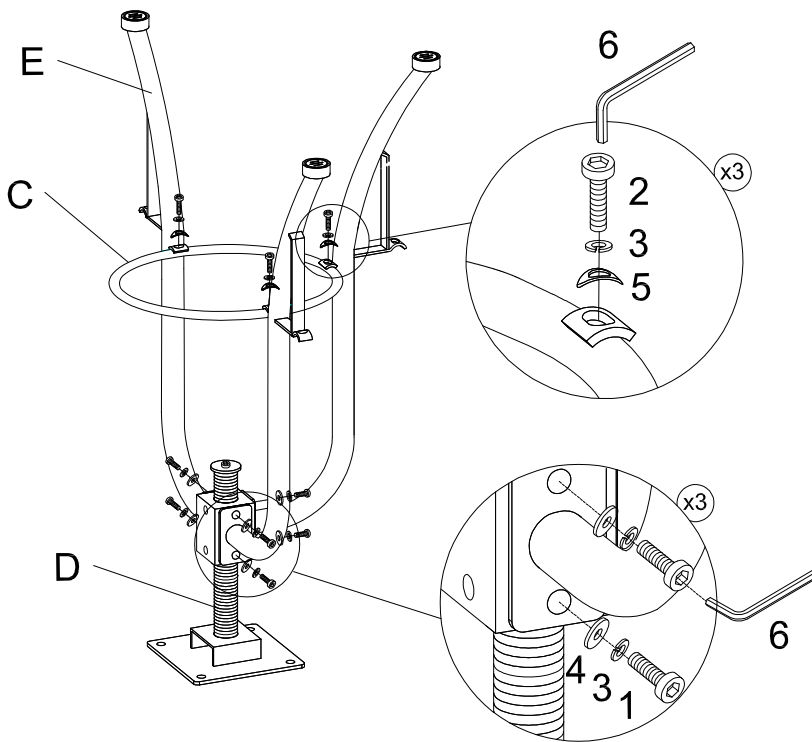


Figure 1

Connect Legs (E) to Adjustable Leveler (D) and Bottom Metal Ring (C) with Bolt (1,2), Spring Washer (3) and Flat Washer (4, 5).

Tighten Bolt (1,2) with Allen Wrench (6).

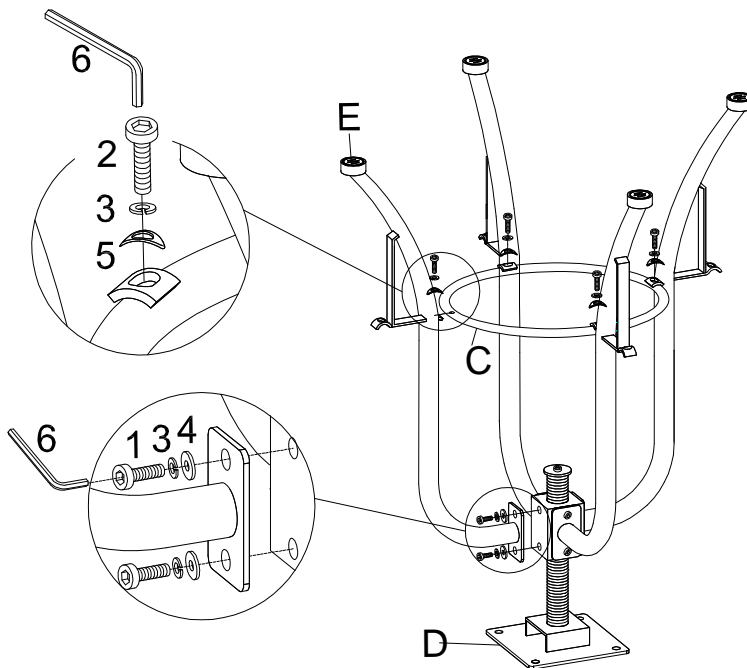


Figure 2

Connect the 4th Leg (E) to Adjustable Leveler (D) and Bottom Metal Ring (C) with Bolt (1,2), Spring Washer (3) and Flat Washer (4,5).

Tighten Bolt (1,2) with Allen Wrench (6).

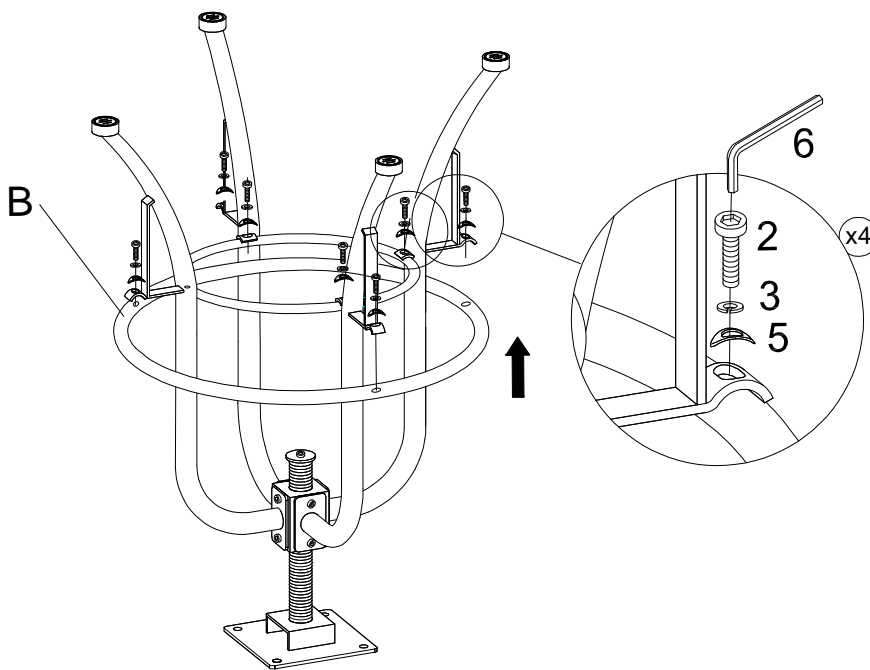


Figure 3

Connect Footrest Ring (B) to pre-assembled unit from Figure 2 with Bolt (2), Spring Washer (3) and Washer (5).

Tighten Bolt (2) with Allen Wrench (6).

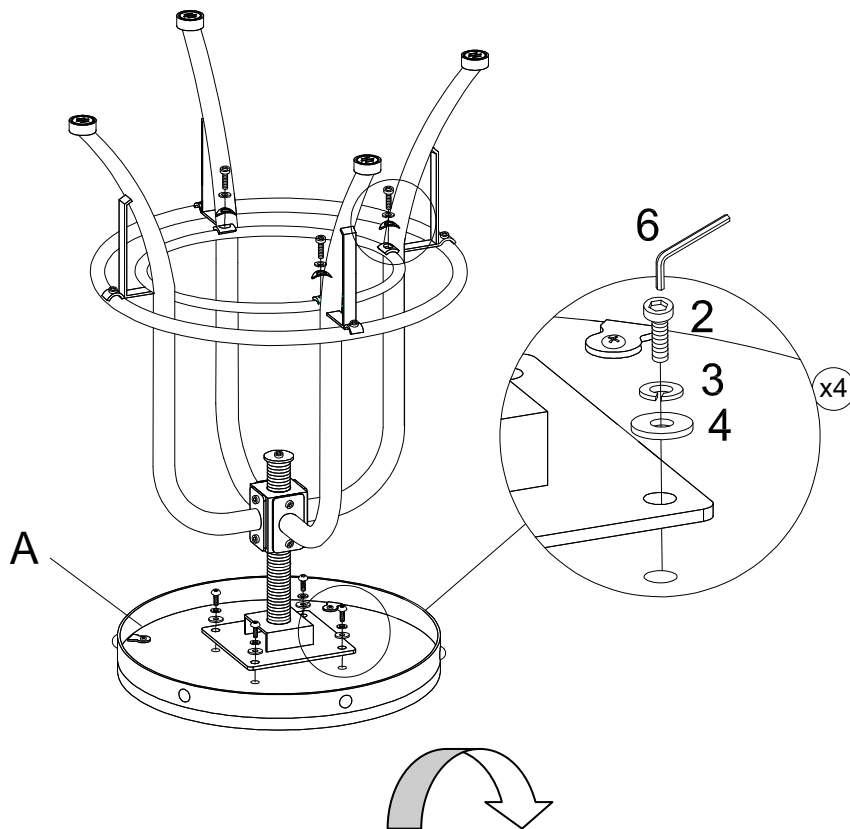


Figure 4

Connect pre-assembled unit from Figure 3 to Seat (A) with Bolt (2), Spring Washer (3) and Flat Washer (4)

Tighten Bolt (2) with Allen Wrench (6).

Check and Tighten all the Bolts with Allen Wrench (6).

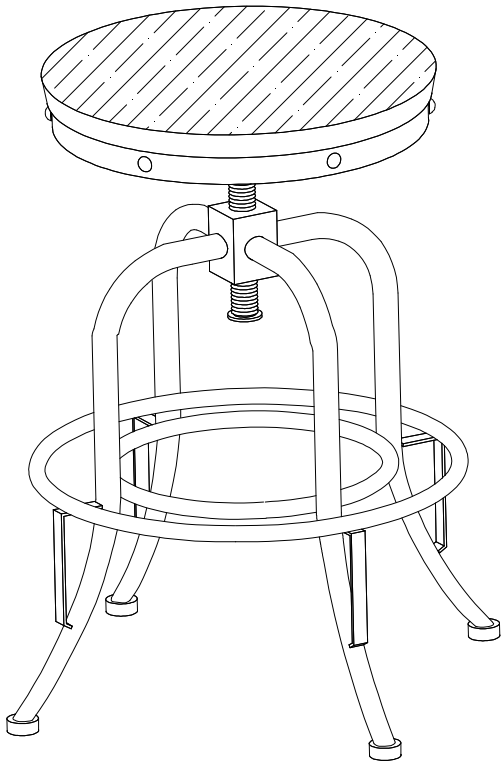


Figure 5

Turn over the Barstool

Now your Industrial Adjustable Stool is ready to use!

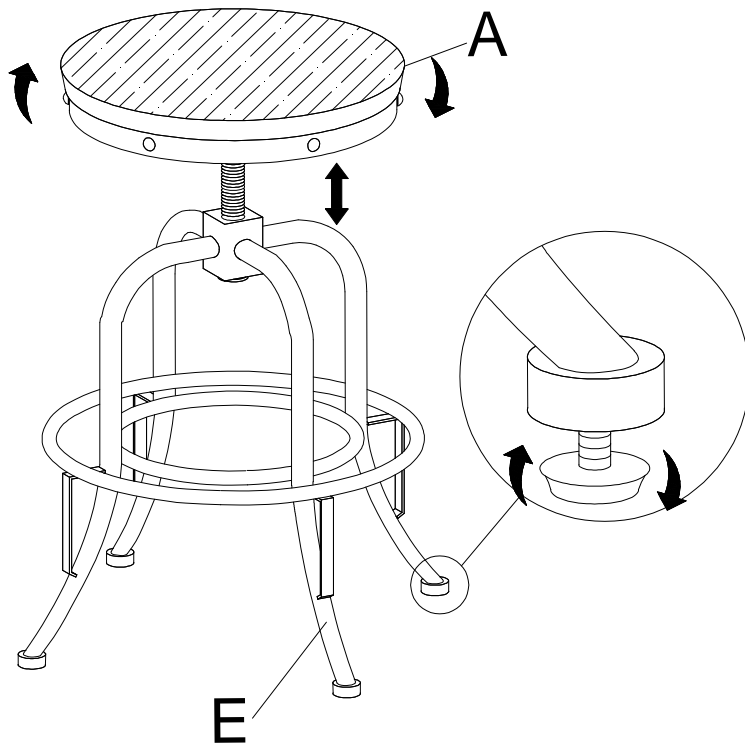


Figure 6

To swivel Seat (A) can adjust its height,
If the Barstool is not level, please adjust
the Leg's leveler by hand as shown.

Parts Replacement Form

Customer Information

Name _____

Address _____

City/State/Zip Code _____

Phone Number _____

Please indicate where you purchased this item: Store/Website/Catalog

Please indicate color/size/style number:

Style No	Parts Letter	Parts Description	Quantity Needed
_____	_____	_____	_____
_____	_____	_____	_____
_____	_____	_____	_____

Please immediately examine this product carefully. Any request for missing parts or damage replacement must be received within 90 days of your receipt of the product. Replacement, if available, will be honored within this time frame. Parts will not be available for items arriving fully assembled. We do not recommend modifying product(s) and we are not responsible for any damages due to product modification(s). If damages or missing parts are not reported within 90 days of your receipt, we are under no obligation to provide parts or replacement merchandise.

Please contact Southern Enterprises at 800-633-5096 or in Dallas 972-869-0111/ 9am – 4pm Mon-Fri Central time if you have product issues or email us at service@seidal.com. Please ask for customer service representative for issues involving damages or replacement parts. Please ask for technical assistance representative for any issues with product and assembly/construction.

Please contact the retailer that you purchased from for returns.



Customer Service 1-800-633-5096
service@seidal.com
Southern Enterprises, Inc.
600 Freeport Parkway, Suite 200
Coppell, Texas 75019