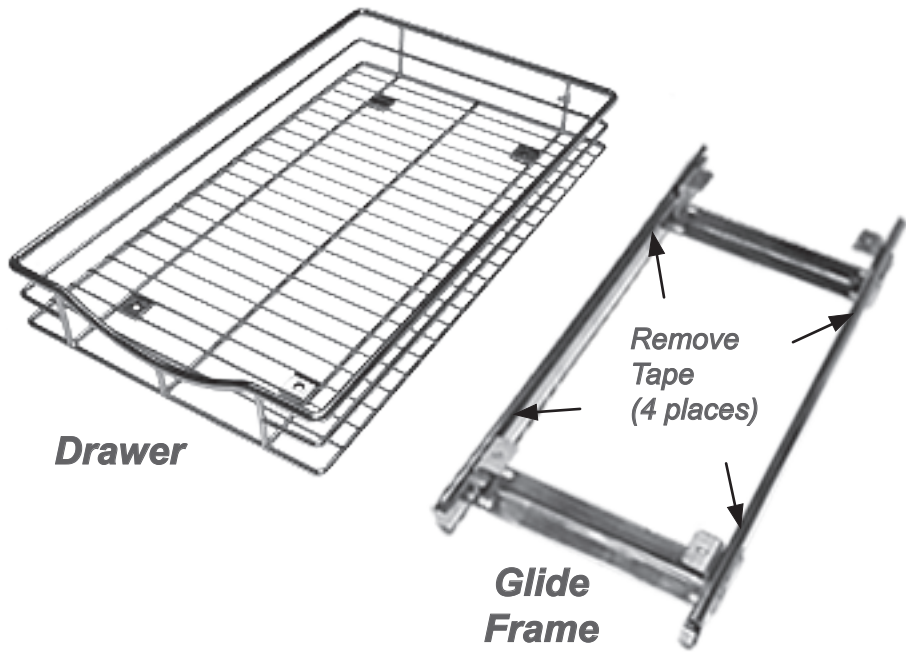




1

Remove packing materials
Remove tape from glides (4 places)

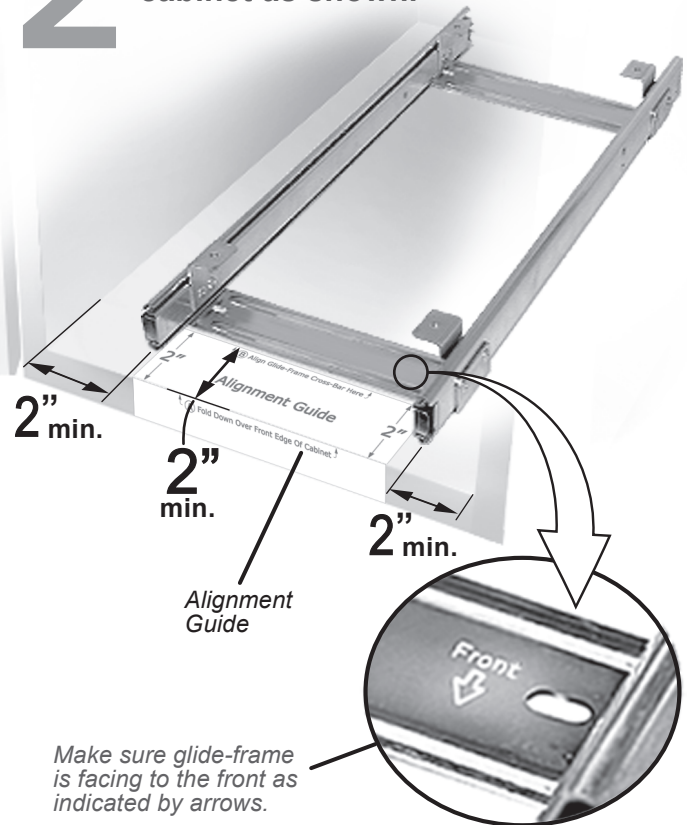


Parts Bag Includes:

- Instruction Sheet
- Alignment Guide
- Drawer mounting screws (4) 
- Wood screws (4) 

2

Use alignment guide found in parts bag to align glide-frame inside of cabinet as shown.




3

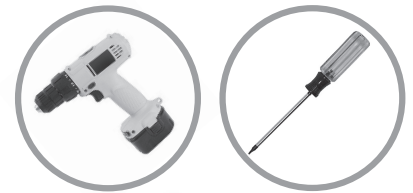
Set drawer onto glide-frame with drawer mounting holes aligned. Check for adequate cabinet and door clearance.

Adjust glide frame position if necessary.

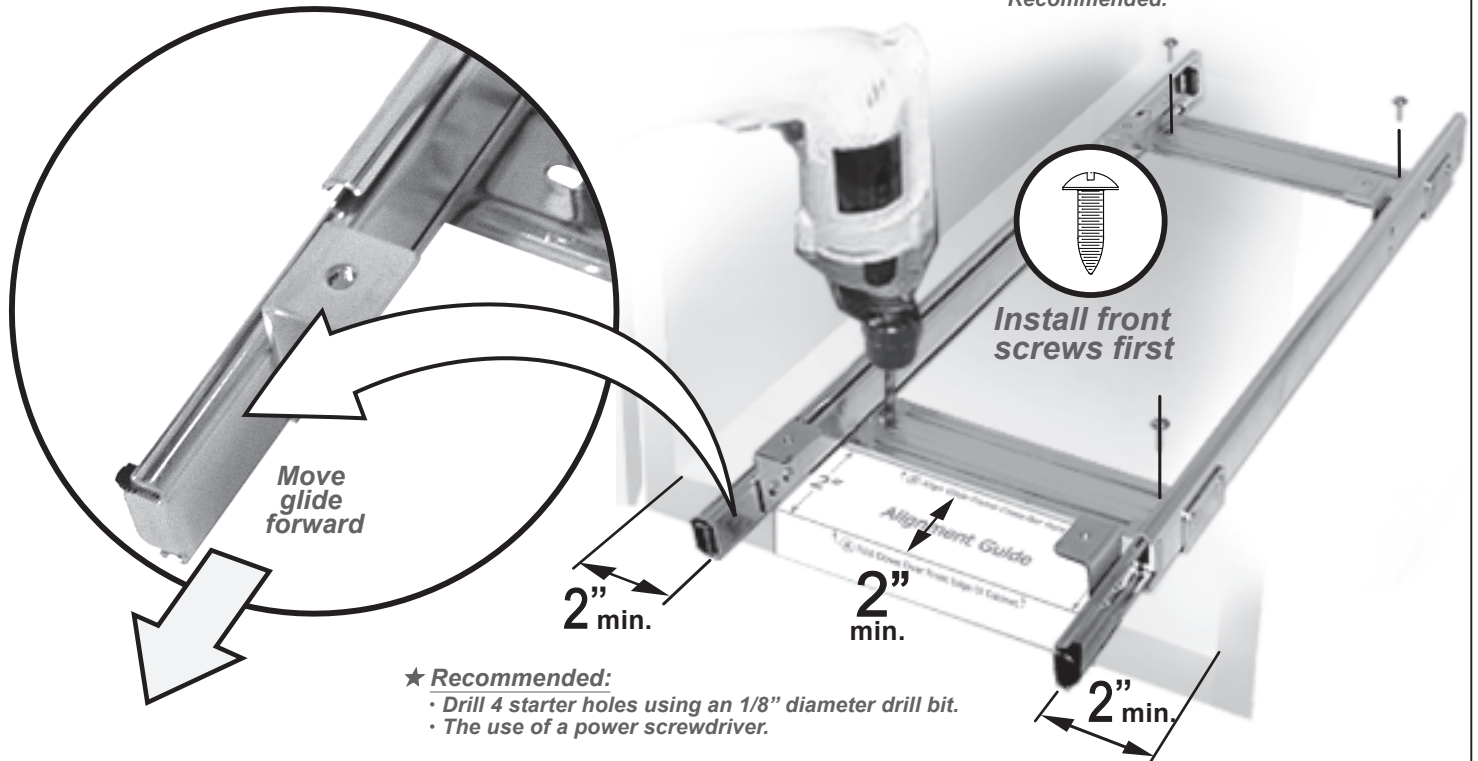


4 Remove drawer from glide-frame.

Move glide rails slightly forward as shown and install glide-frame into cabinet using wood screws  found in parts bag.




Recommended.

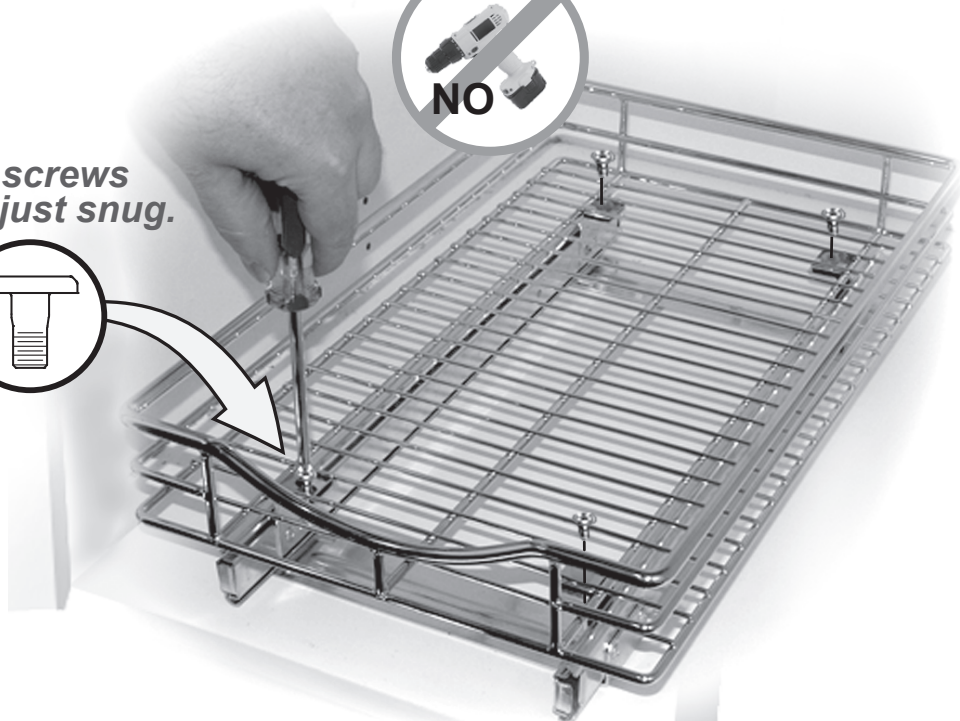


- ★ Recommended:
- Drill 4 starter holes using an 1/8" diameter drill bit.
 - The use of a power screwdriver.

5 Set drawer back onto glide-frame with mounting holes in drawer and glide-frame aligned.

Install drawer onto glide frame by gently tightening drawer mounting screws 

★ Turn screws until just snug.



051106T