

Assembly:

To install, you will need the following:

- Pencil and tape measure
- Phillips head screw driver if needed and pliers.
- Electric drill with assorted bits

Parts:

- Main unit (See Photo – A)
- Package of ceiling hooks (See Photo – B)
- 4 packs of PR-41203 hanging links, pan hooks PR-41206 and pan hooks PR-41208 (See Photo – C)

Please consult with your local hardware store if you have any questions or concerns about the construction of your walls or ceilings. They can assist you in selecting the proper hardware and procedures. The generic hardware provided will work for most applications. Always measure twice before drilling. **NOTE:** If you have any doubt about your installation or your ceilings ability to offer the proper support for your pot rack, please contact a professional.

Mounting Directions:

Determine where ceiling joist (beams, studs) are located. Place ceiling hooks so that the hanging links will hang straight down from the ceiling. It is important the ceiling hooks are secure within the joists so they will bear the weight of the rack and any cookware. Proper installation diagram (See Photo – D)

Additional links and hooks available. See www.prhousewares.com for a list of parts and e-tailers.

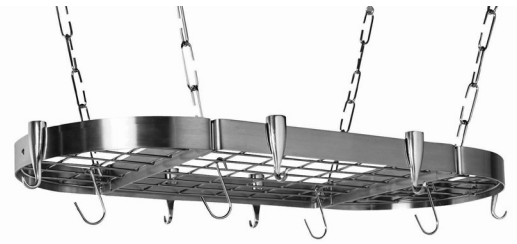


Photo A - Fully Assembled

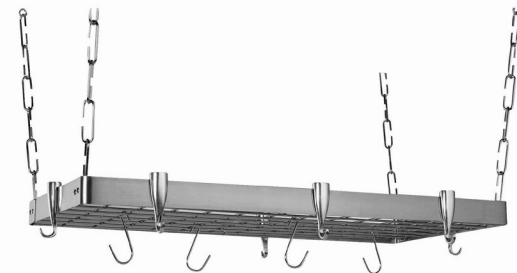
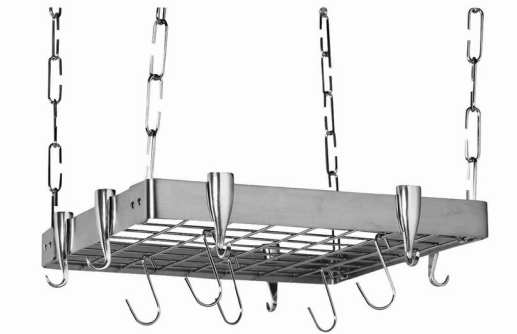


Photo B - Ceiling Hooks

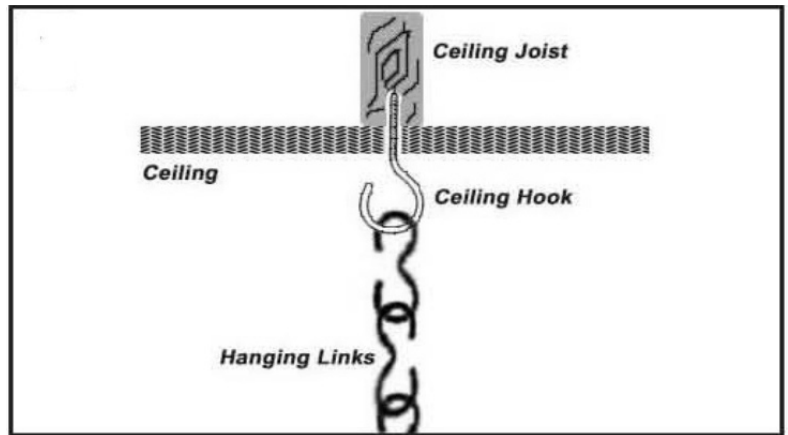
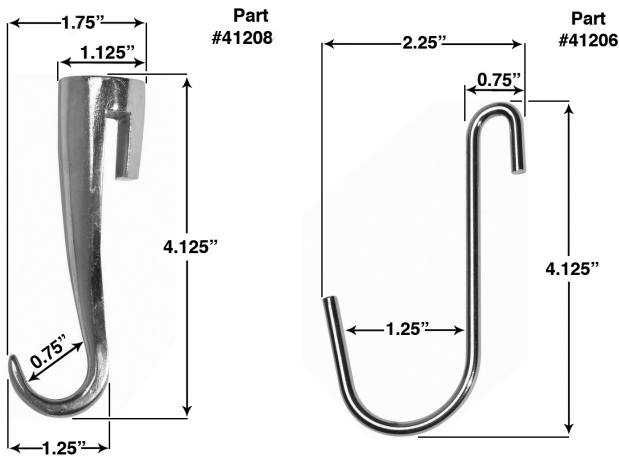


Photo D - Proper Installation

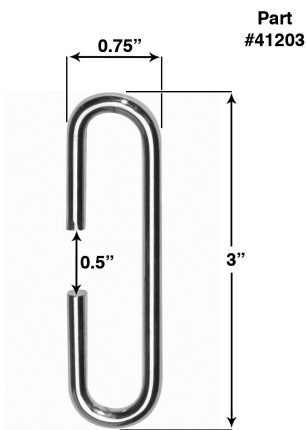


Photo C - Links and Pan Hooks

Questions - Comments
Damaged - Defective - Missing Parts

Contact us first, we will respond within 24 hours or less. Please provide our part number, your order number, place of purchase, address and any other info so we may address your concerns promptly.

info@prhousewares.com or www.prhousewares.com

Thank you!

Returns are only accepted when returned in new condition and only with an RMA from the seller.

Returns to: 501 I South Reino Rd. Ste 152. Newbury Park, CA 91320