

Enclume



Decorative Shelf Rack DR1



Enclume hearth racks are the ultimate in
Quality, design, strength and function.
Congratulations for owning one of the finest
Storage racks made.

WARNING:
**READ ALL OF THE INSTRUCTIONS BEFORE
ASSEMBLING AND USING YOUR RACK.**

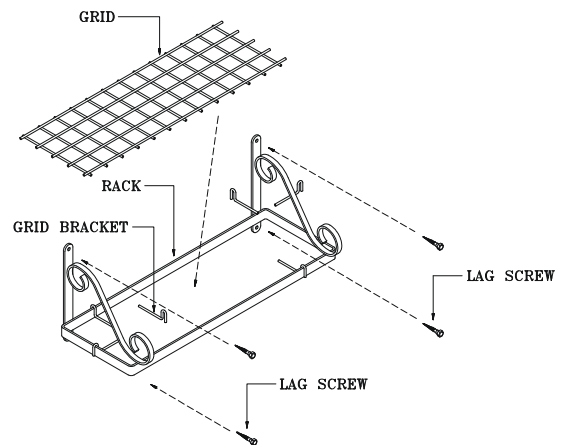
Enclosed you will find everything needed for the assembly and use of your hearth rack. Two people make assembly and installation easier. The parts and hardware included are:

Hardware included:

4 - 2" Lag bolts
1 - Rack
Toggler Kit

Components included:

6 - Grid brackets
12 - Pot hooks
1 - Grid



ASSEMBLY AND INSTALLATION INSTRUCTIONS

Rack Assembly

- 1) Decide which direction you want your rack to hang. Enclume's unique design allows for the scrolls to set above of below the shelf.
- 2) shelf.
- 3) We recommend that you anchor your rack into the solid wood of wall studs. Carefully measure the area where the rack is to be mounted and install the lag bolts directly into the wood studs. If it is not convenient to install your rack directly into wood studs you may use the new-technology DRYWALL anchors enclosed with your rack. The steel anchors are very strong and when installed in drywall will hold 100 lbs. each. Two anchors hold about 200 lbs. Follow the instructions in the Toggler kit.
- 4) Carefully measure the area where the rack is to be installed and mark where the lag bolts or Togglers will be inserted.
- 5) Place two grid brackets on each long side of the shelf and rest the grid on top. Your rack is ready for mounting to the wall. Use pot hooks provided to hang utensils or other items. All of our hammered steel racks are finished with an industrial wax designed to give years of protection to the rack. Cleaning is easily done with a damp cloth. Dry thoroughly after cleaning. If a touch-up is ever needed we recommend a "Pledge" like wax product



It is important that your rack is assembled correctly. If the unit is assembled or used incorrectly, it could become unstable and collapse, possibly causing injury.

Limited Warranty: This product is warranted to be free of material defects for a period of five year from the date of purchase. Customer's exclusive remedy shall be the repair or replacement of the defective product and shall be subject to the following conditions: (1) notice of any defect is received by Enclume within the warranty period and (2) customer returns the defective product to Enclume Design Products, Inc. , 24 Colwell St. , Port Hadlock, WA 98339, *postage prepaid* within 20 days following a return authorization number (which may be obtained by telephoning the number at the bottom of this instructions) being provided to the customer by Enclume. There are no other warranties, expressed or implied. **THERE ARE NO WARRANTIES OF MERCHANTABILITY OR FITNESS FOR A PARTICULAR PURPOSE. ENCLUME SPECIFICALLY DISCLAIMS ANY AND ALL INCIDENTAL OR CONSEQUENTIAL DAMAGES ARISING OUT OF THE PURCHASE OR USE OF ENCLUME'S PRODUCTS.**



If you need help, please call 1-877-ENCLUME
Enclume Design Products, Inc.
24 Colwell Street, Port Hadlock, WA. 98339
Phone 360-385-6100 • Fax 360-385-6156
www.enclume.com