

88 5060 65 Baker's Rack

IMPORTANT NOTE

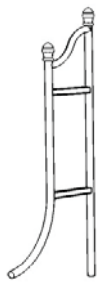
Carefully remove all the parts from the carton and put them individually on a soft cloth to prevent scratches or other damage occurring to the parts.

We have taken great care in the design of this product and request that you carefully and strictly follow our assembly instructions to ensure a completed product as it was designed.

Home
Styles



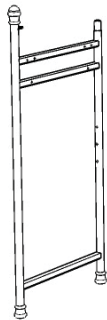
Part List



B.
Side Frame
1 Pc.



C.
Side Frame
1 Pc.



D.
Side Frame
1 Pc.



E.
Side Frame
1 Pc.



A.
Top
1 Pc.



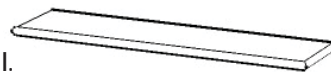
F.
Back Stretcher
1 Pc.



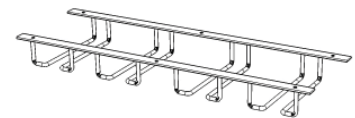
G.
Shelf
1 Pc.



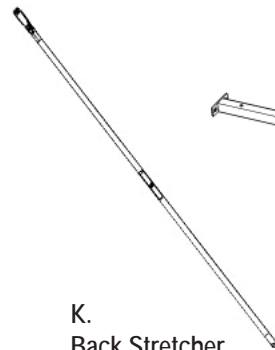
H.
Adjustable Shelf
1 Pc.



I.
Shelf
2 Pcs.



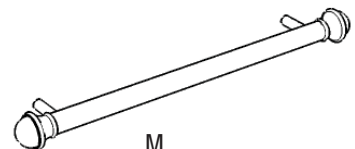
J.
Glass Holder
1 Pc.



K.
Back Stretcher
2 Pcs.

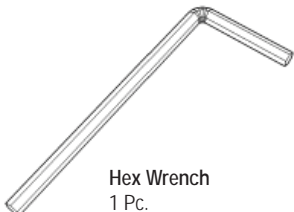


L.
Stretcher
2 Pcs.



M.
Side Bar
2 Pcs.

Hardware List



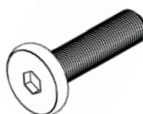
Hex Wrench
1 Pc.



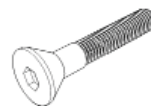
Small Hex Wrench
1 Pc.



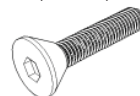
Nut Cap
1 Pc. (+1 extra)



M6x18
Head Cap Bolt
for Back Stretcher
1 Pc. (+1 extra)



M6x28
Tapered Head Cap Bolt
for Side Bar
4 Pcs. (+1 extra)



M6x16
Tapered Head Cap Bolt
18 Pcs. (+1 extra)



M4x12
Wood Screw
for Glass Holder
6 Pcs. (+1 extra)



M4x28
Wood Screw
for Shelf
16 Pcs. (+1 extra)



Adjustable Pin
4 Pcs. (+1 extra)

Tools required for assembly : Phillips screwdriver

Tools recommended for assembly : Level

Home Styles Consumer Assistance: www.homestyles-furniture.com,
servicedesk@homestyles-furniture.com, 888-680-7460, 877-831-0319

Assembly Instructions 2/4

IMPORTANT

- * Please keep Hex Wrench in a safe place as you may need to tighten up the Head Cap Bolts in the future.
- * Do not tighten up all head cap bolts and wood screws until each part is properly assembled.
- * Use a soft cloth between these parts and the floor.
- * After assembly item must be level to work properly. Use the included adjustable levelers to level.

STEP 1

Attach Side Frame (B) to Side Frame (D) and Side Frame (C) to Side Frame (E) with Tapered Head Cap Bolts.
(See Figure 1)

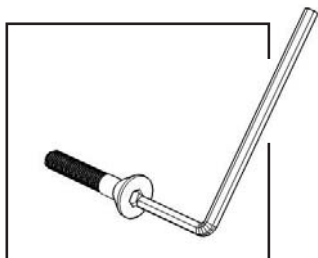
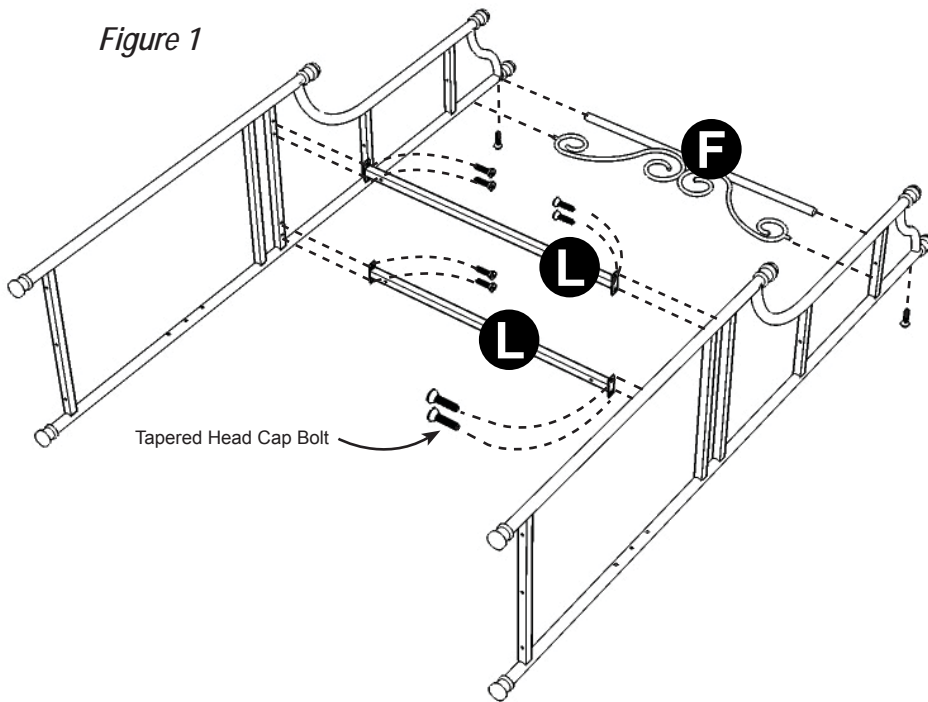
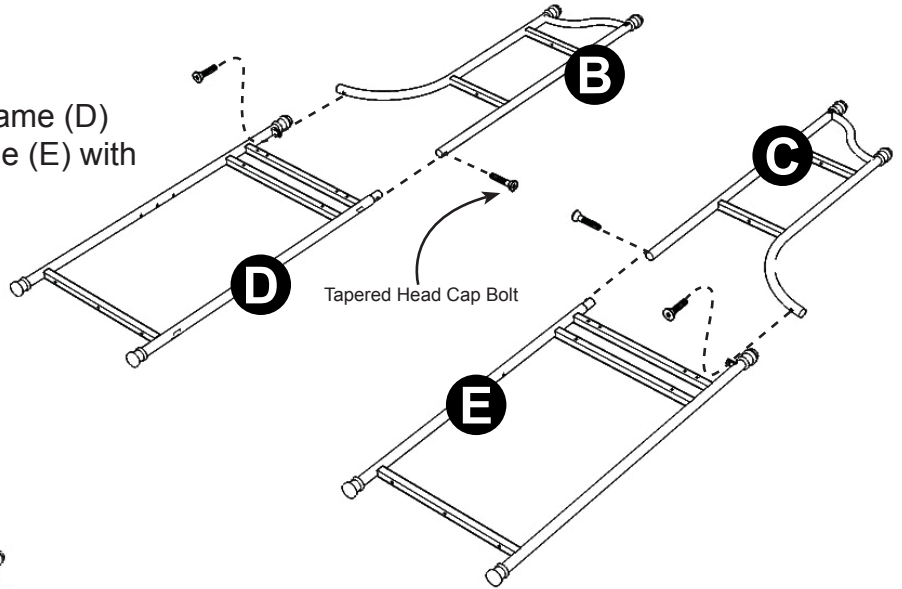


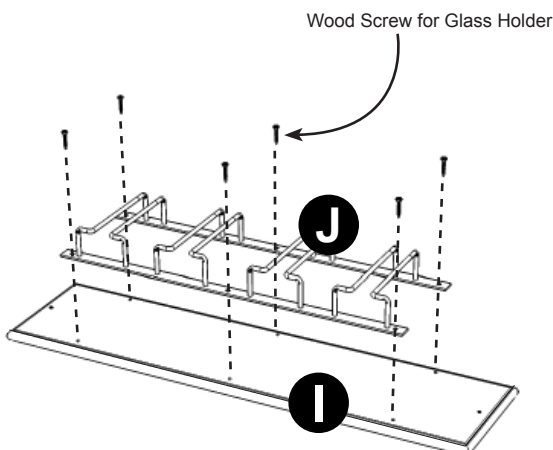
Figure 1



STEP 2

Attach Back Stretcher (F) and Stretchers (L) to side frame unit with Tapered Head Cap Bolts.

Attach side frame unit to unit with Tapered Head Cap Bolts.



STEP 3

Attach Glass Holder (J) to Shelf (I) with Wood Screws for Glass Holder.
(See Figure 2)

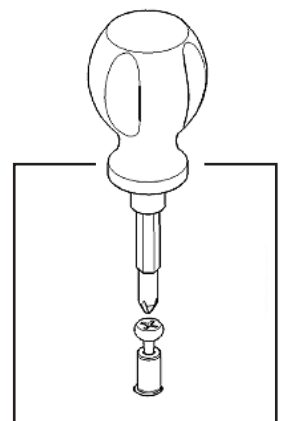


Figure 2

STEP 4

Turn the unit to its' upright position.

Attach Side Bars to unit with Tapered Head Cap Bolts for Side Bar.

Attach Back Stretchers (K) to each other with Head Cap Bolt and Nut Cap.
(See Figure 3)

Attach back stretcher unit to unit with Tapered Head Cap Bolts.

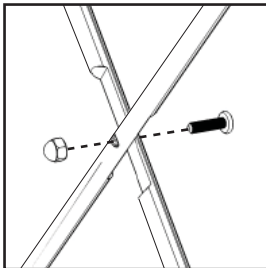
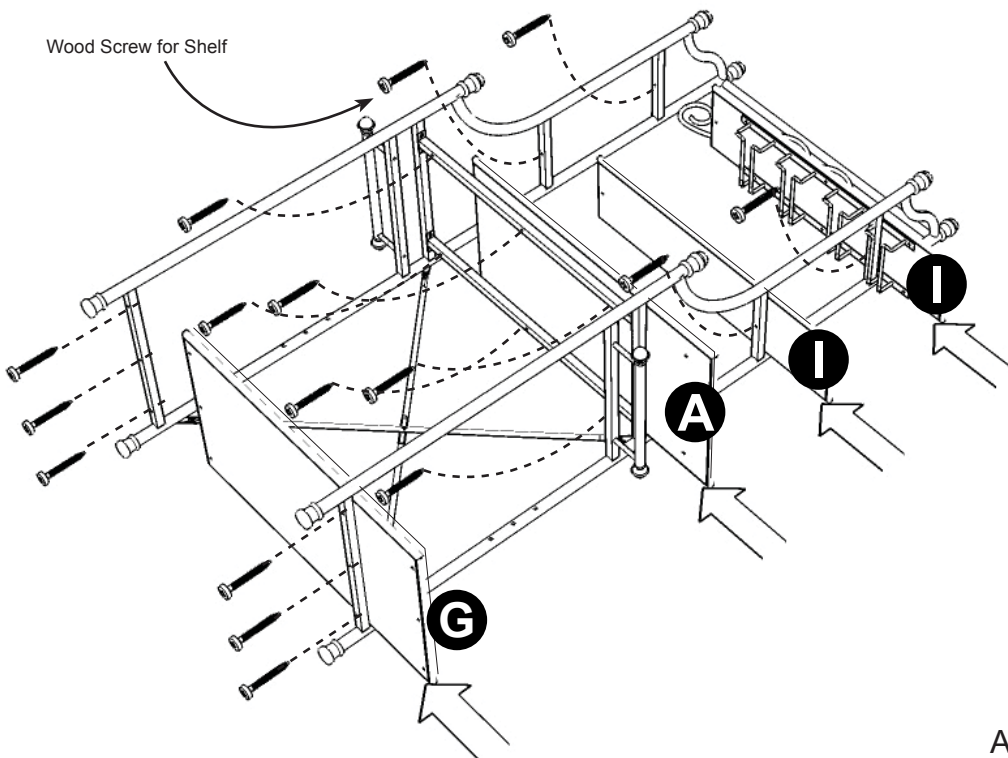
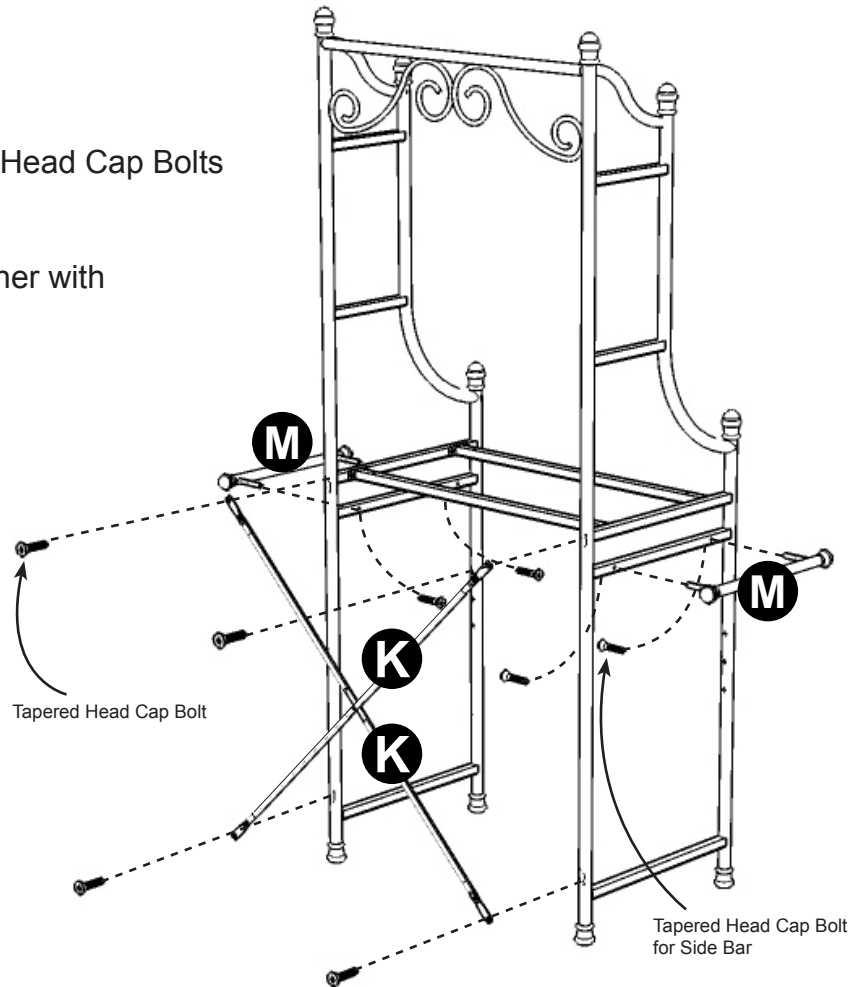


Figure 3



STEP 5

Attach Top (A), Shelves (I) and Shelf (G) to unit with Wood Screws for Shelf.

STEP 6

Turn the unit to its' upright position.

Insert Adjustable Pins into side frames unit at the desired level.

Place Shelf (H) into position.

To level the unit, adjust the adjustable levelers on legs of unit.
(See figure 4)

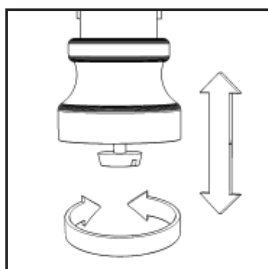
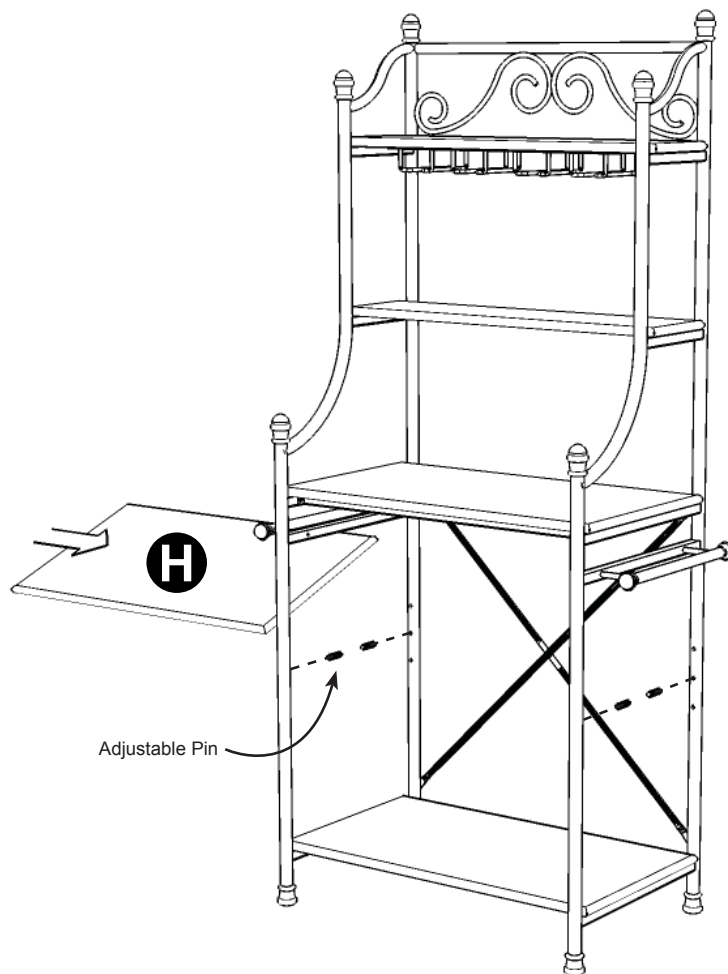


Figure 4