

# ASSEMBLY INSTRUCTIONS

## FAMILY 4-DOOR WARDROBE

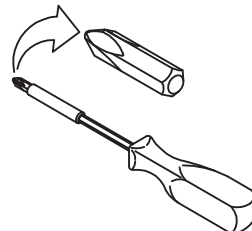
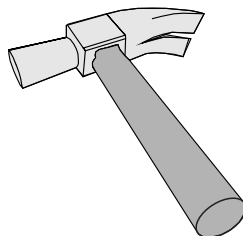
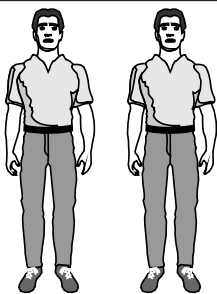
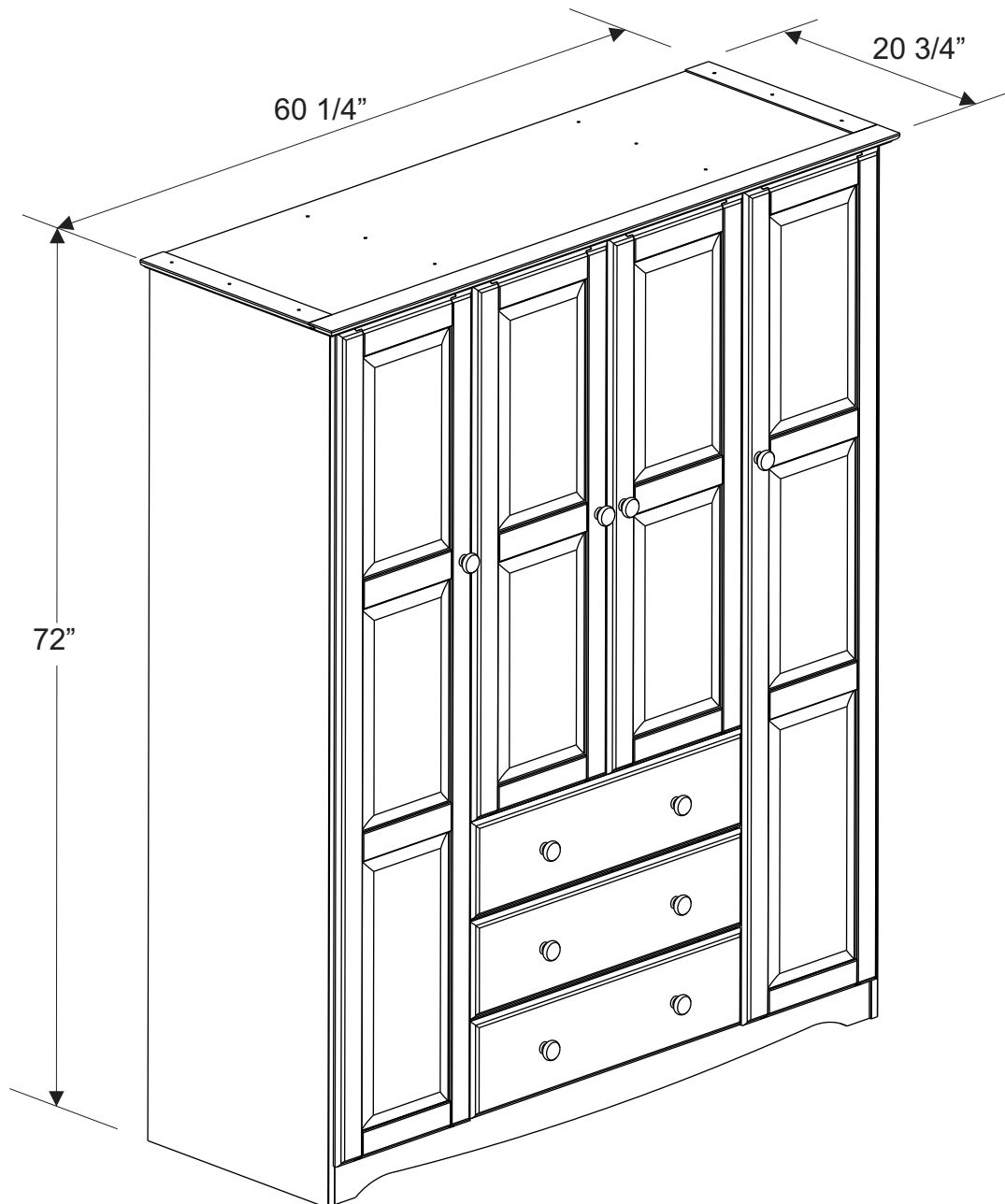
SKU 5961 - White

SKU 5962 - Mahogany



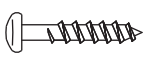



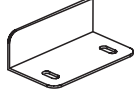
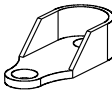
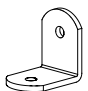
SKU 5963 - Mocha


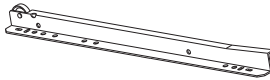
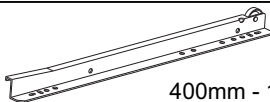
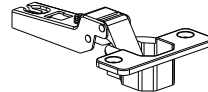
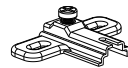
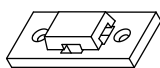


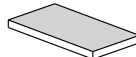

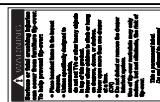
SKU 5964 - Honey

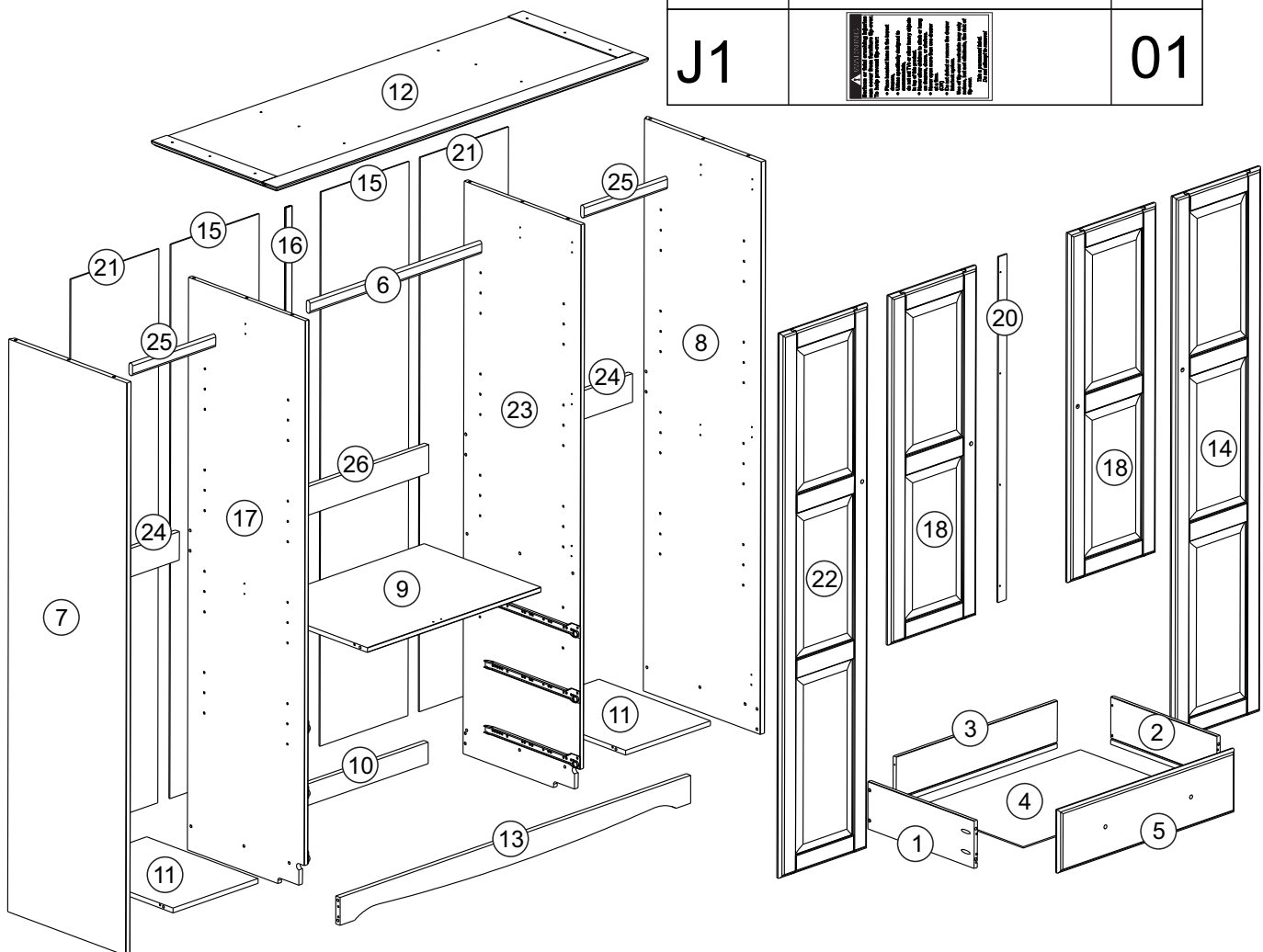
SKU 5966 - Java



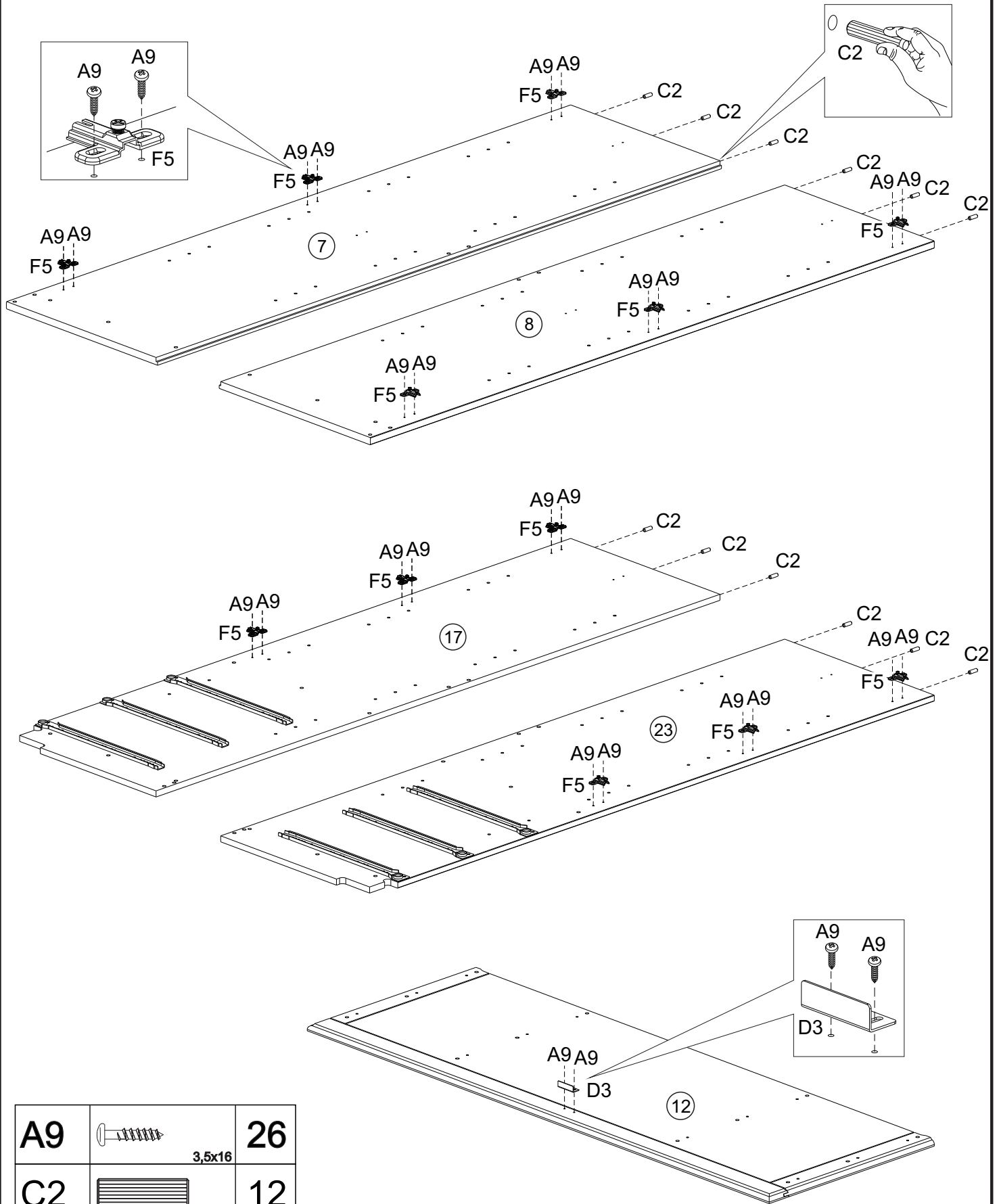
SCREWS ARE SHOWN IN ACTUAL SIZE

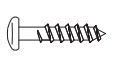

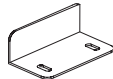

A1	 4,0x30	60
A4	 3,5x14	24
A9	 3,5x16	76
A16	 4,0x40	12
A41	 4,0x30	10
C2	 8,0x25	62
D3		01
D10		06
D16		02

D27		10
E3	 400mm - 15 3/4"	03
E4	 400mm - 15 3/4"	03
F4		12
F5		12
F8		02
F9		01
G1	 10x10	52
G11		08
H1		10
J1		01

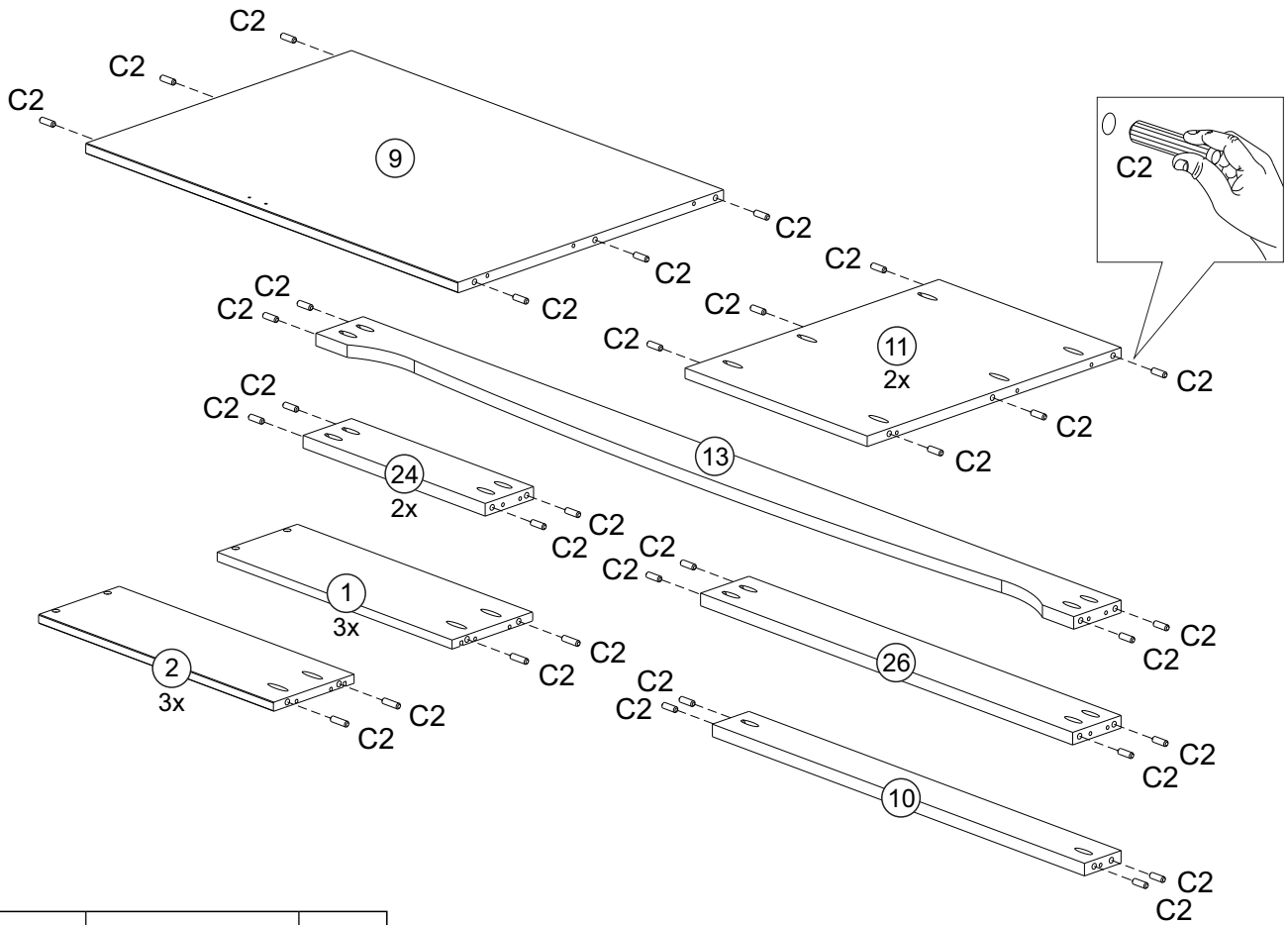



01)



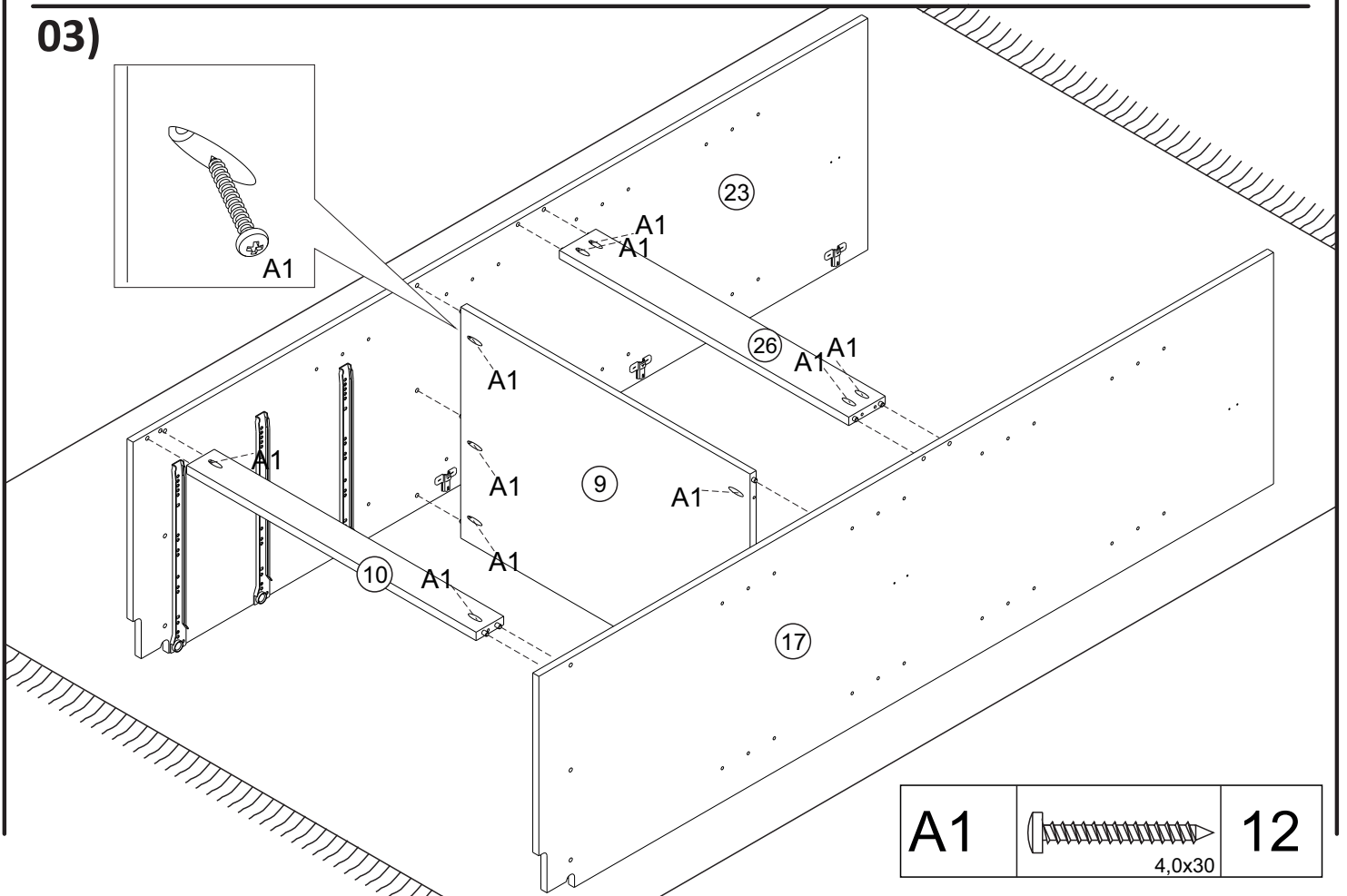
A9	 3,5x16	26
C2	 8,0x25	12
D3		01
F5		12

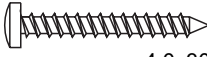
# 02)



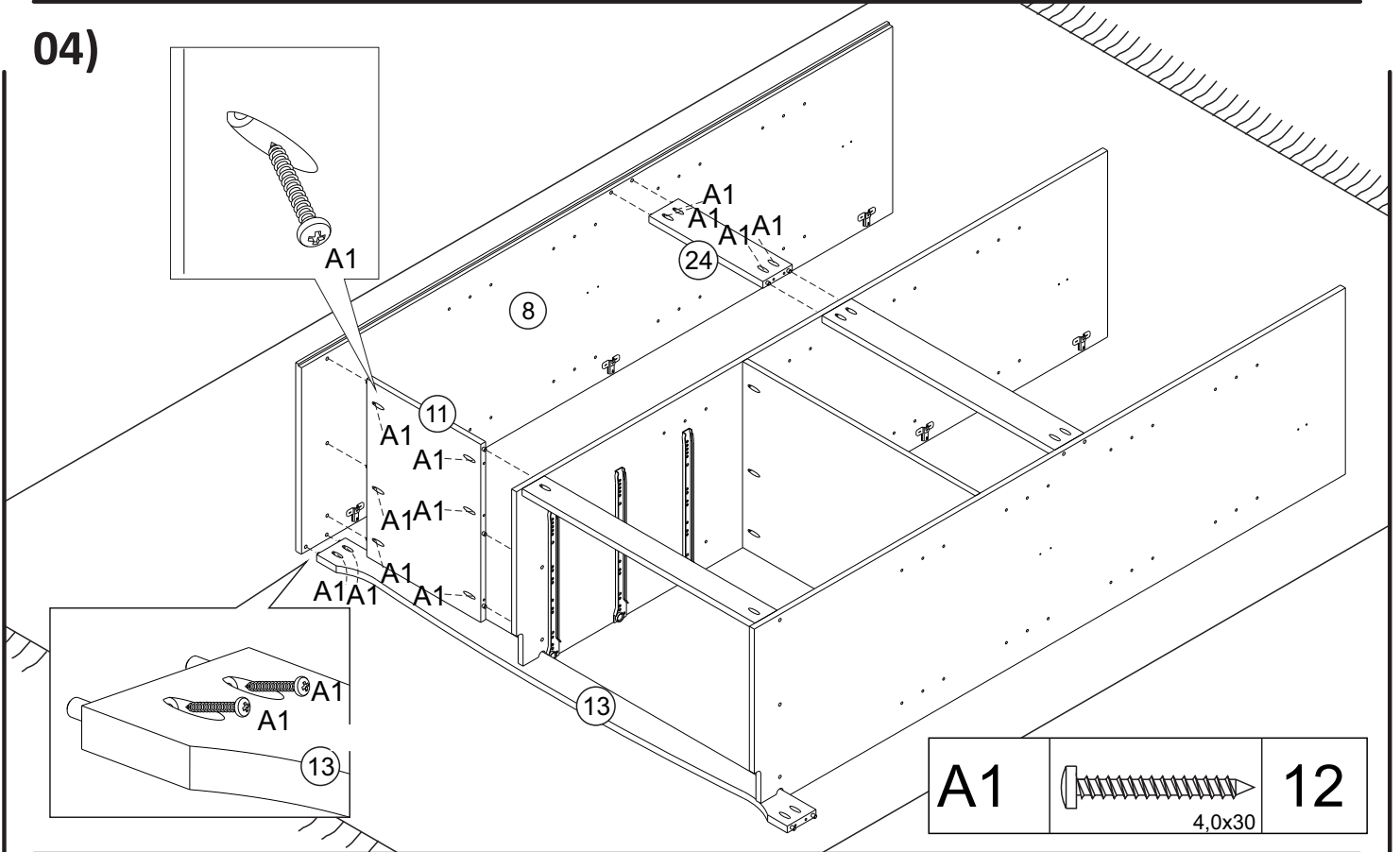
C2		50
	8,0x25	

# 03)

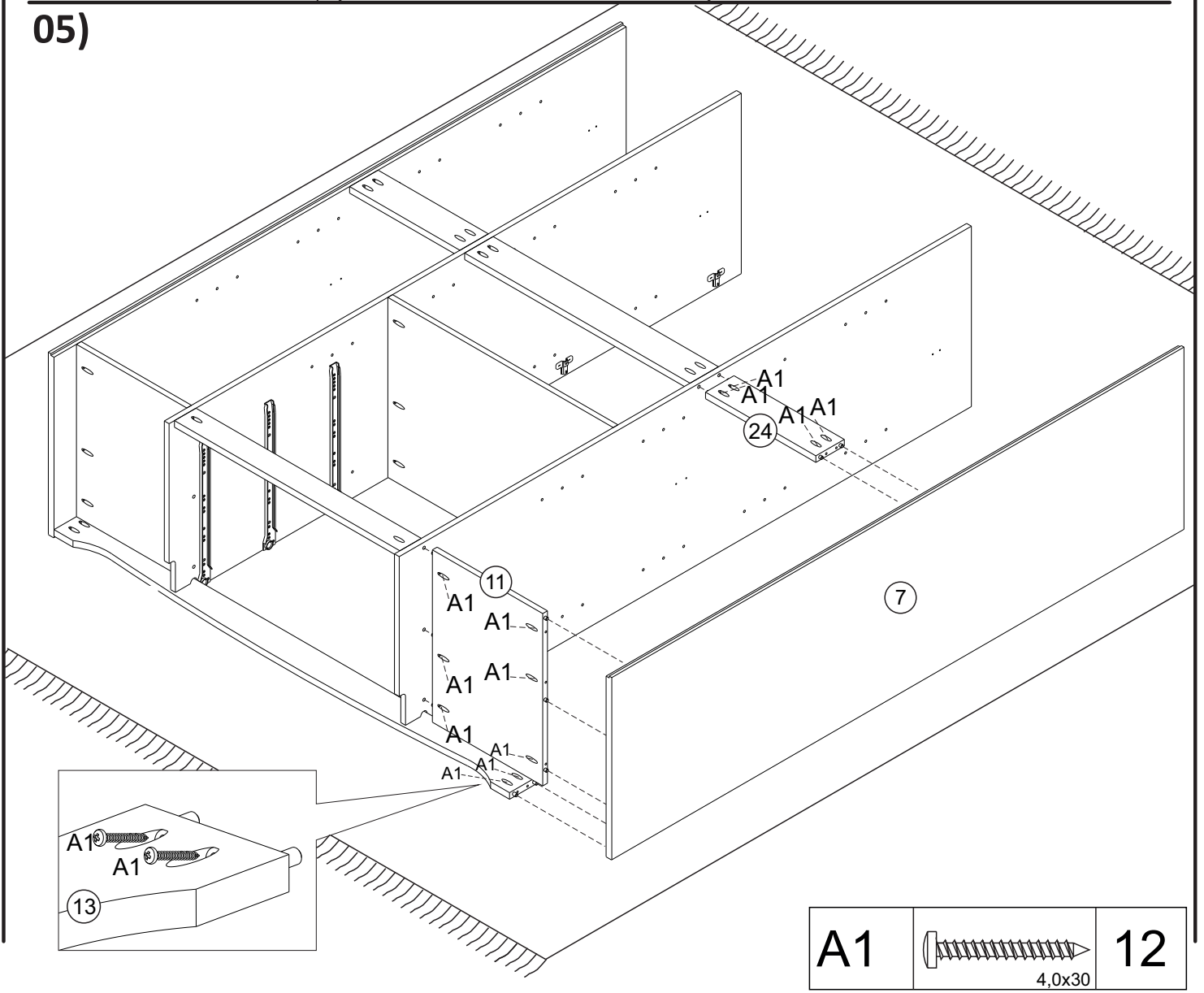


A1		12
	4,0x30	

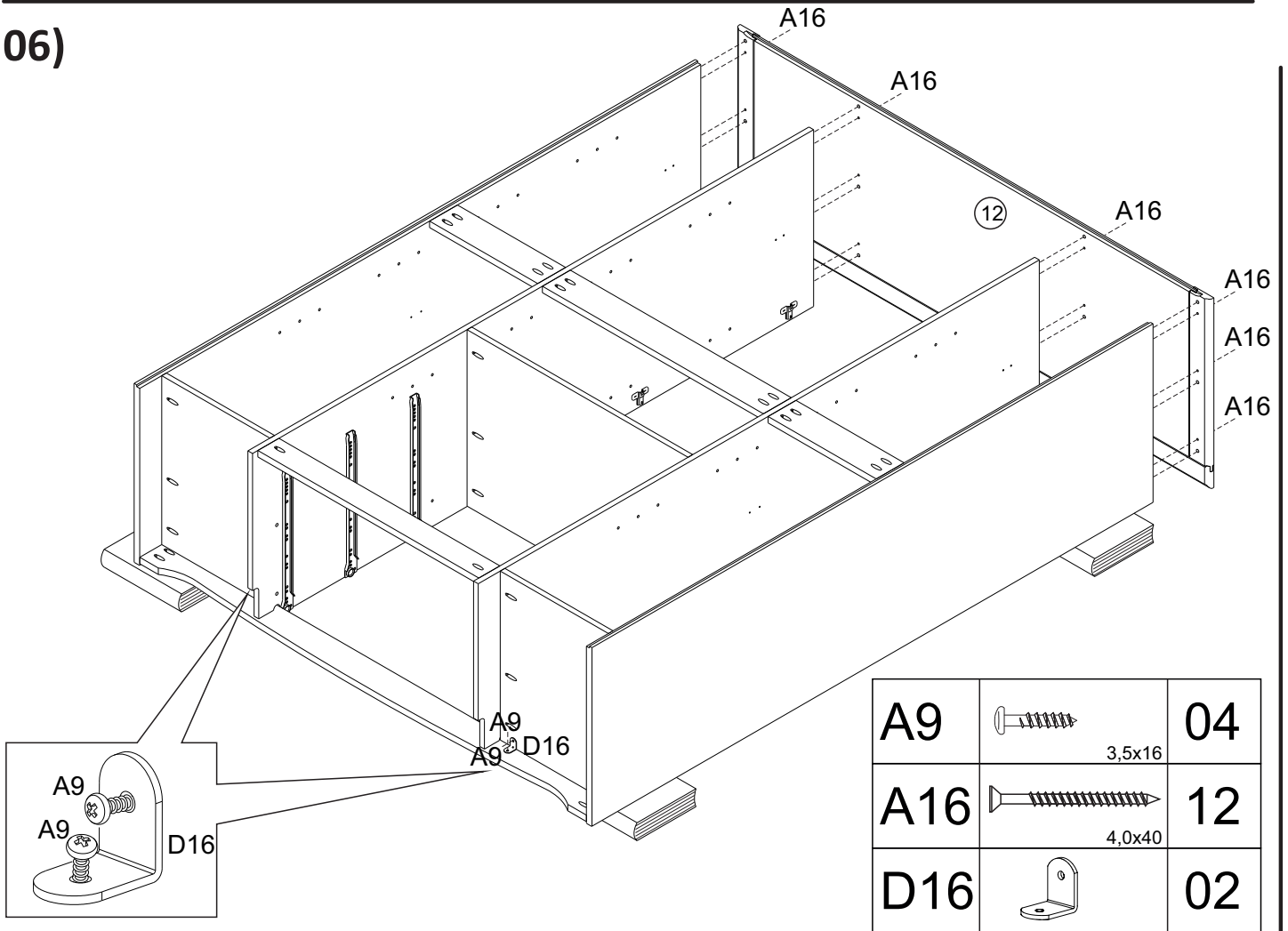
04)



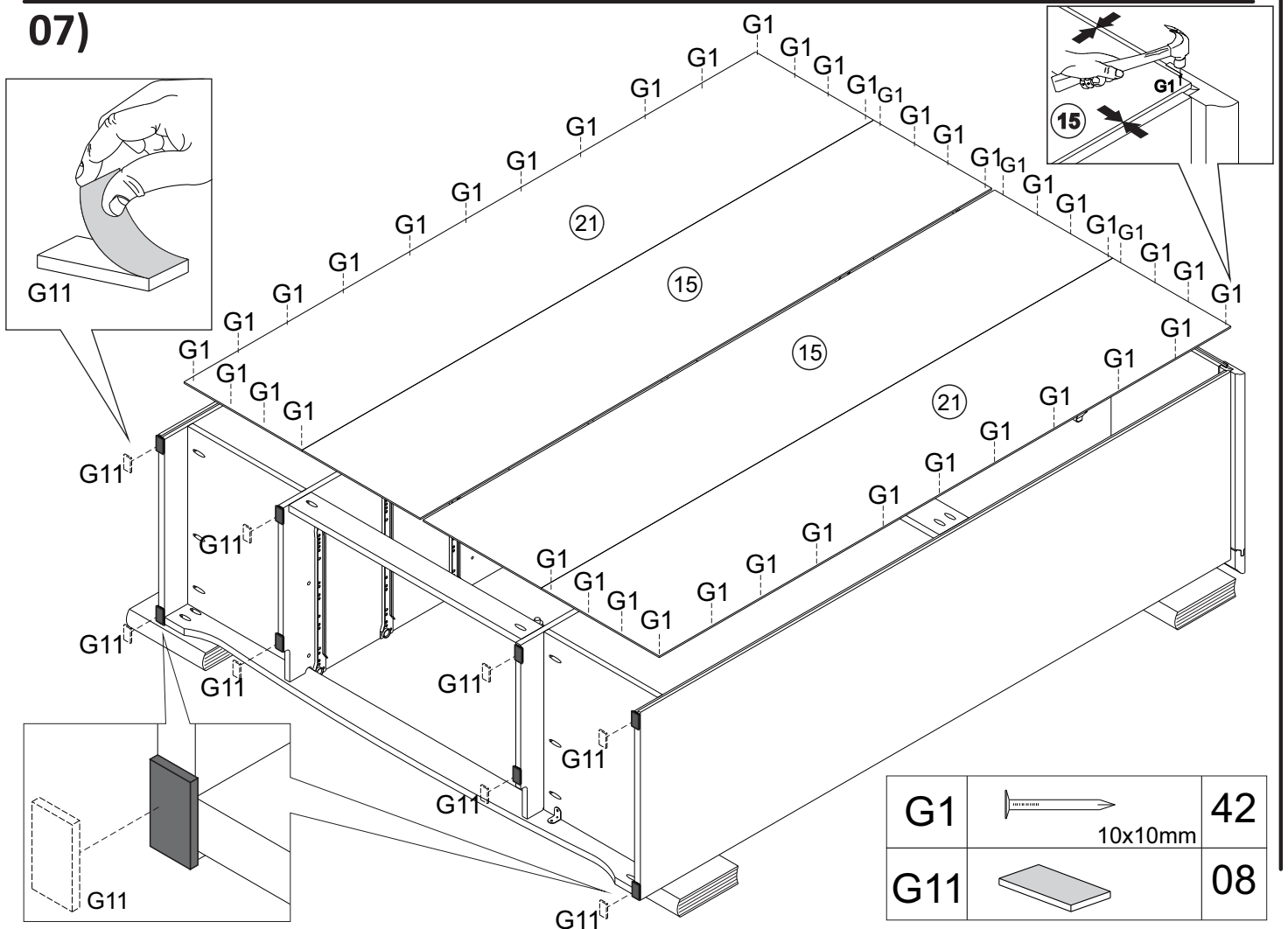
05)



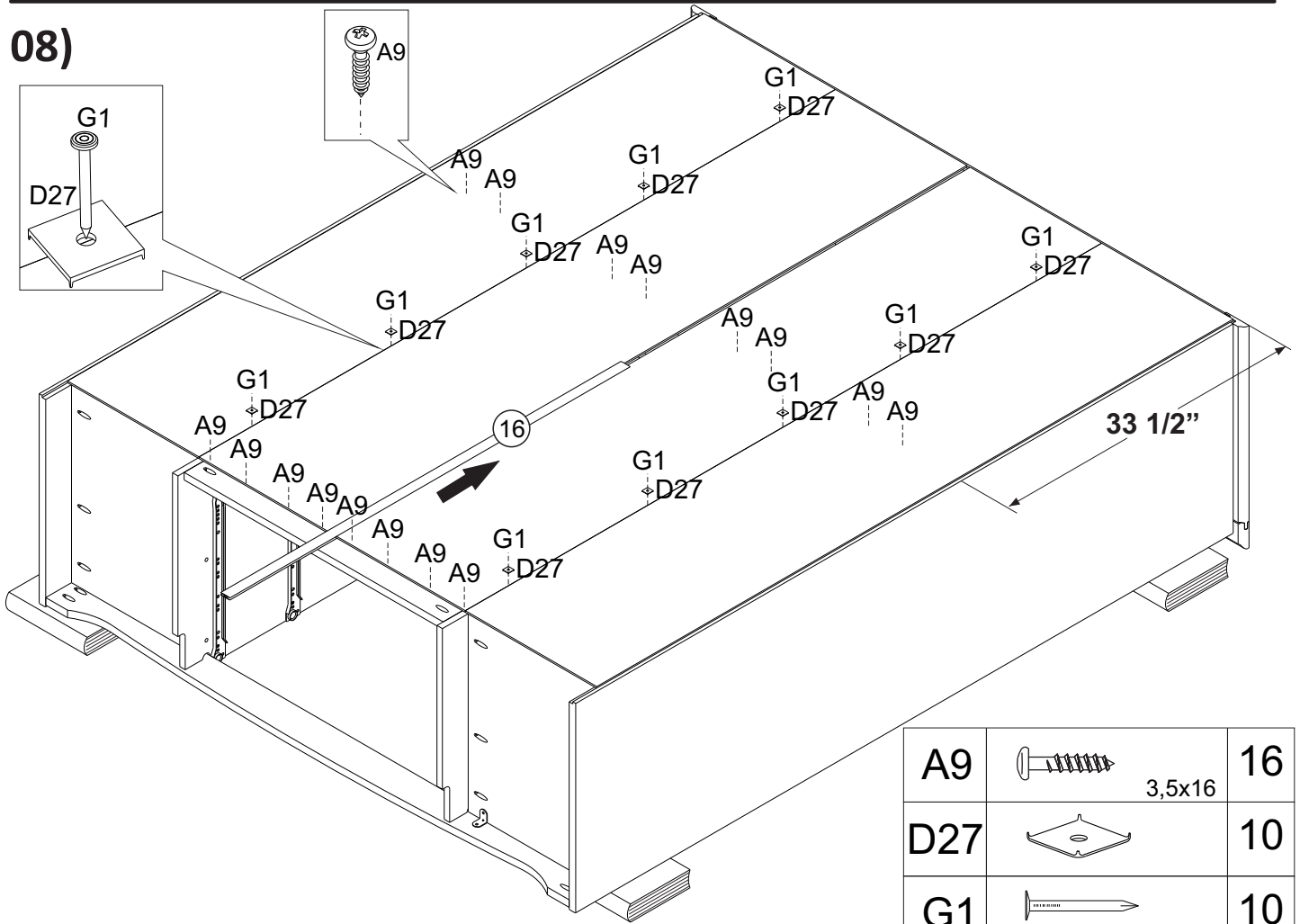
06)

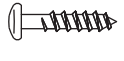

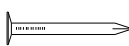


07)

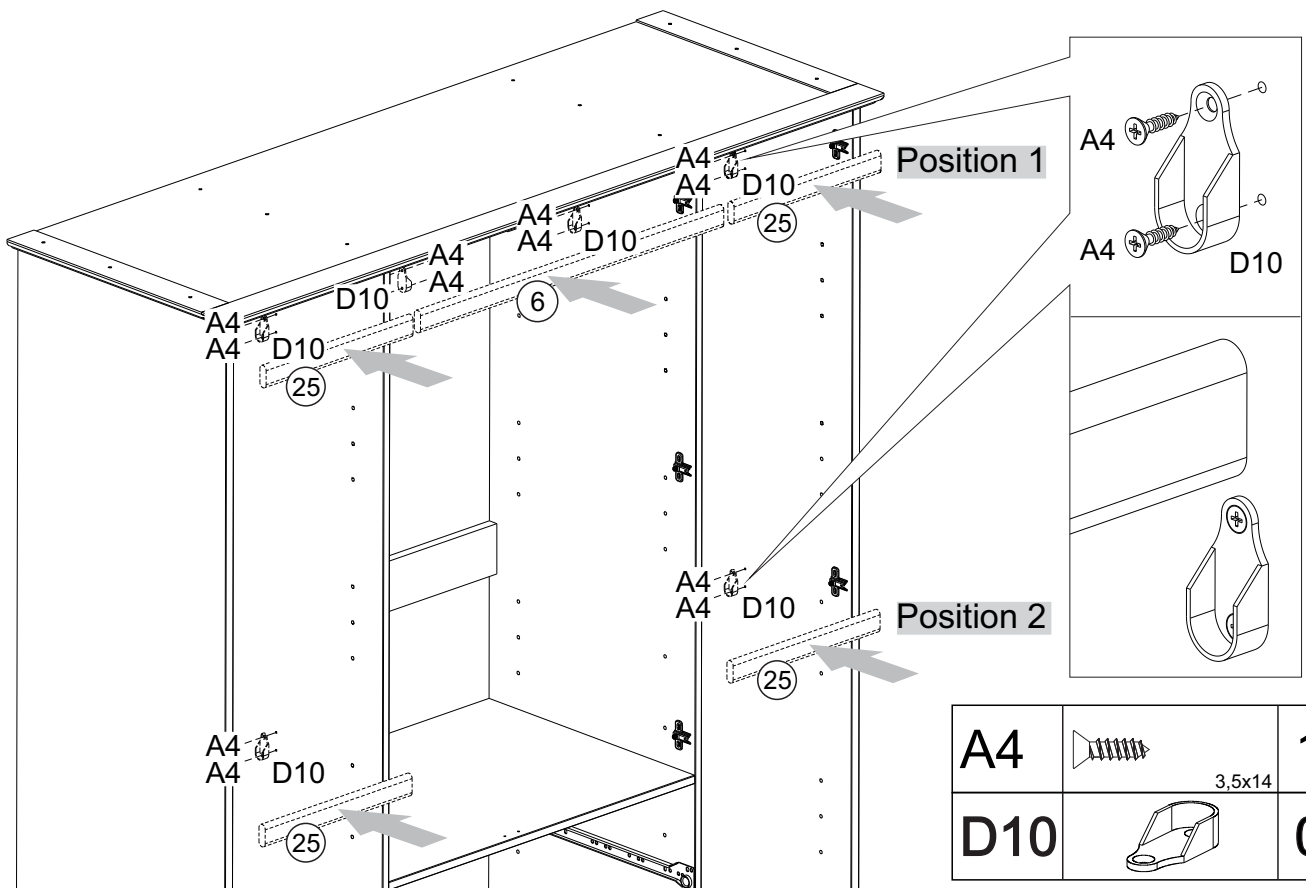




08)



A9		16 3,5x16
D27		10
G1		10 10x10mm

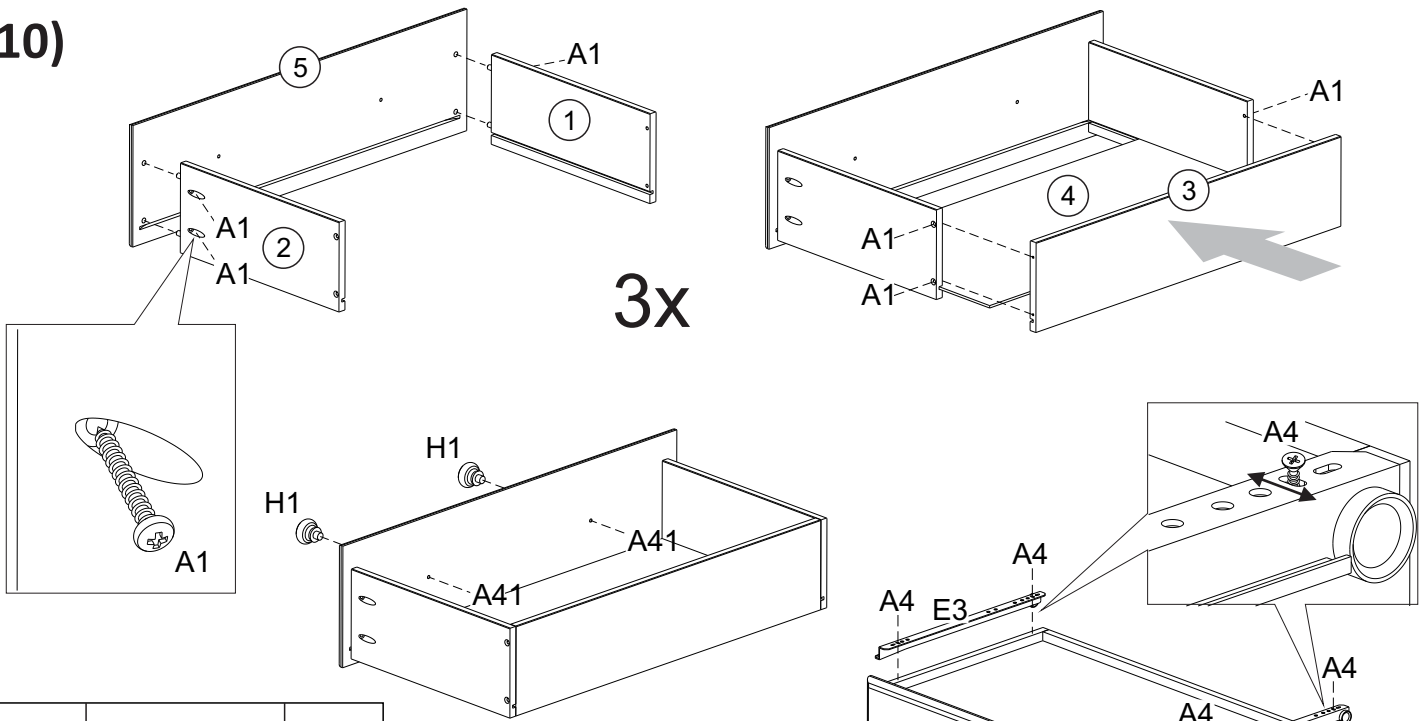
09)



A4		12 3,5x14
D10		06



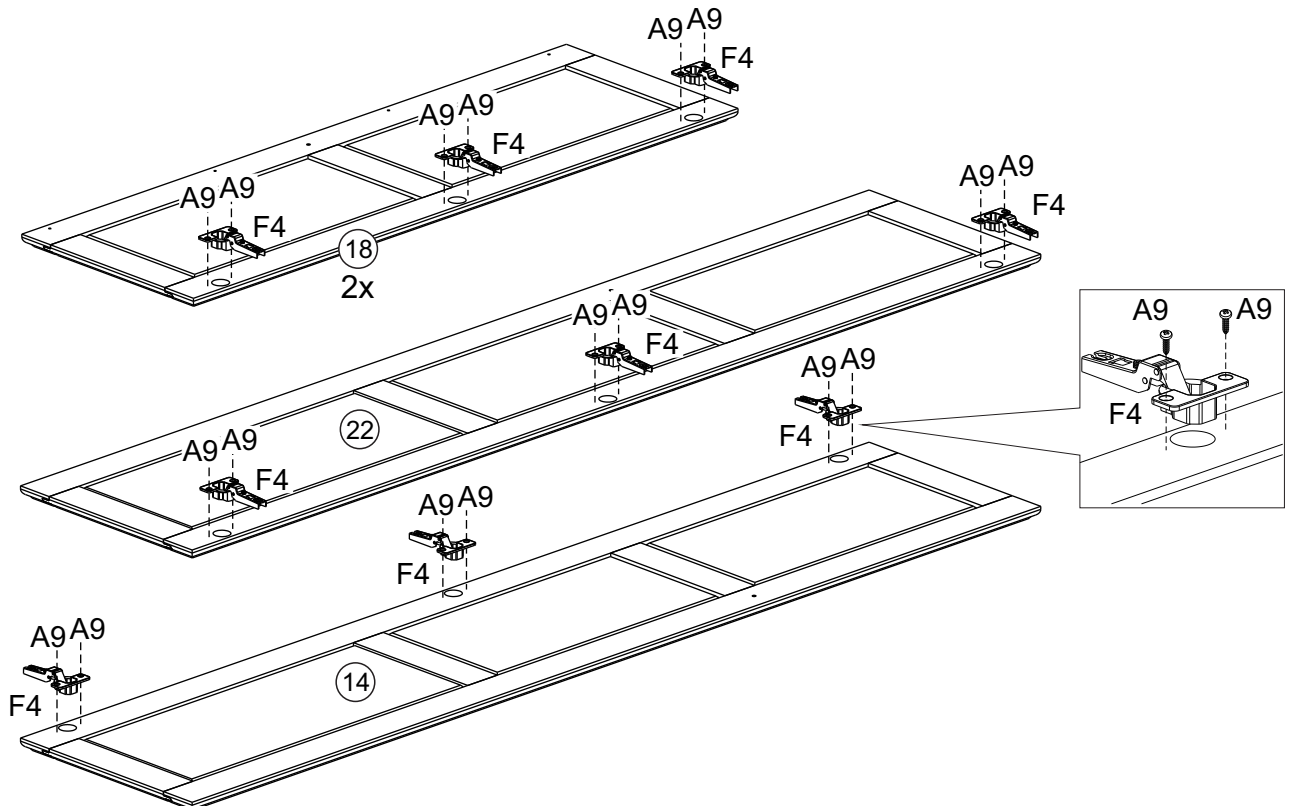
10)



3x

A1		24			
A4		12			
A41		06	E3		03
H1		06	E4		03

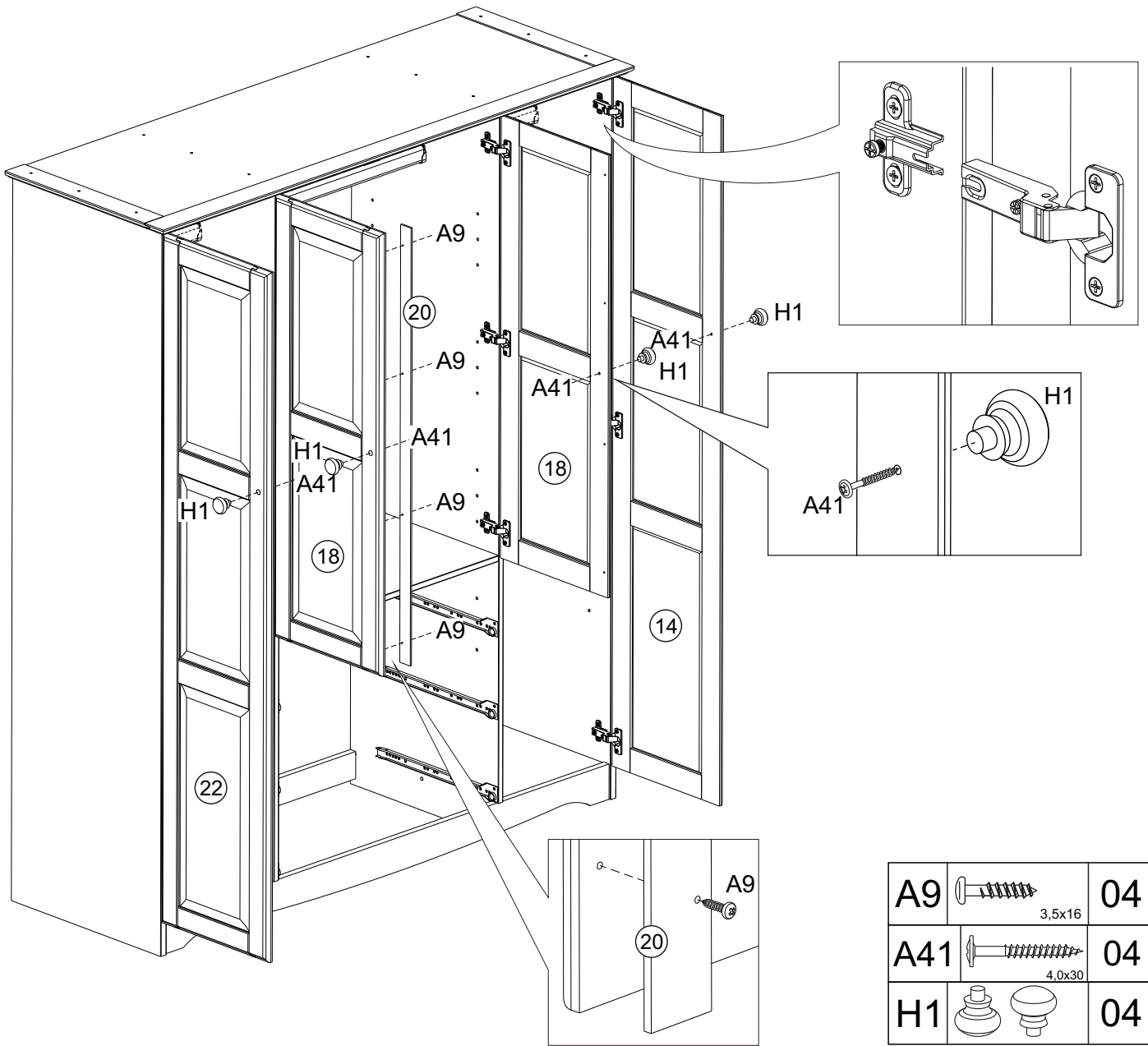
11)

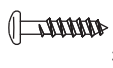
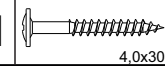



A9		24	F4		12
----	--	----	----	--	----

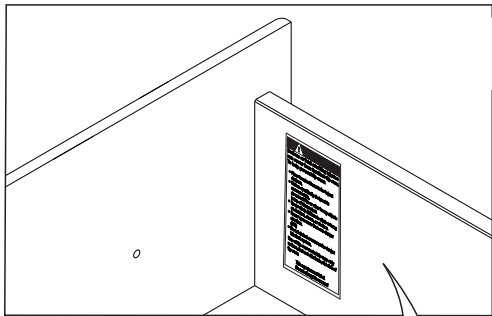
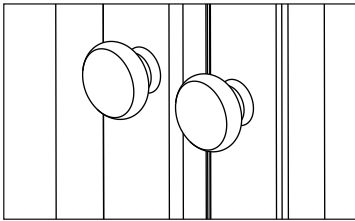
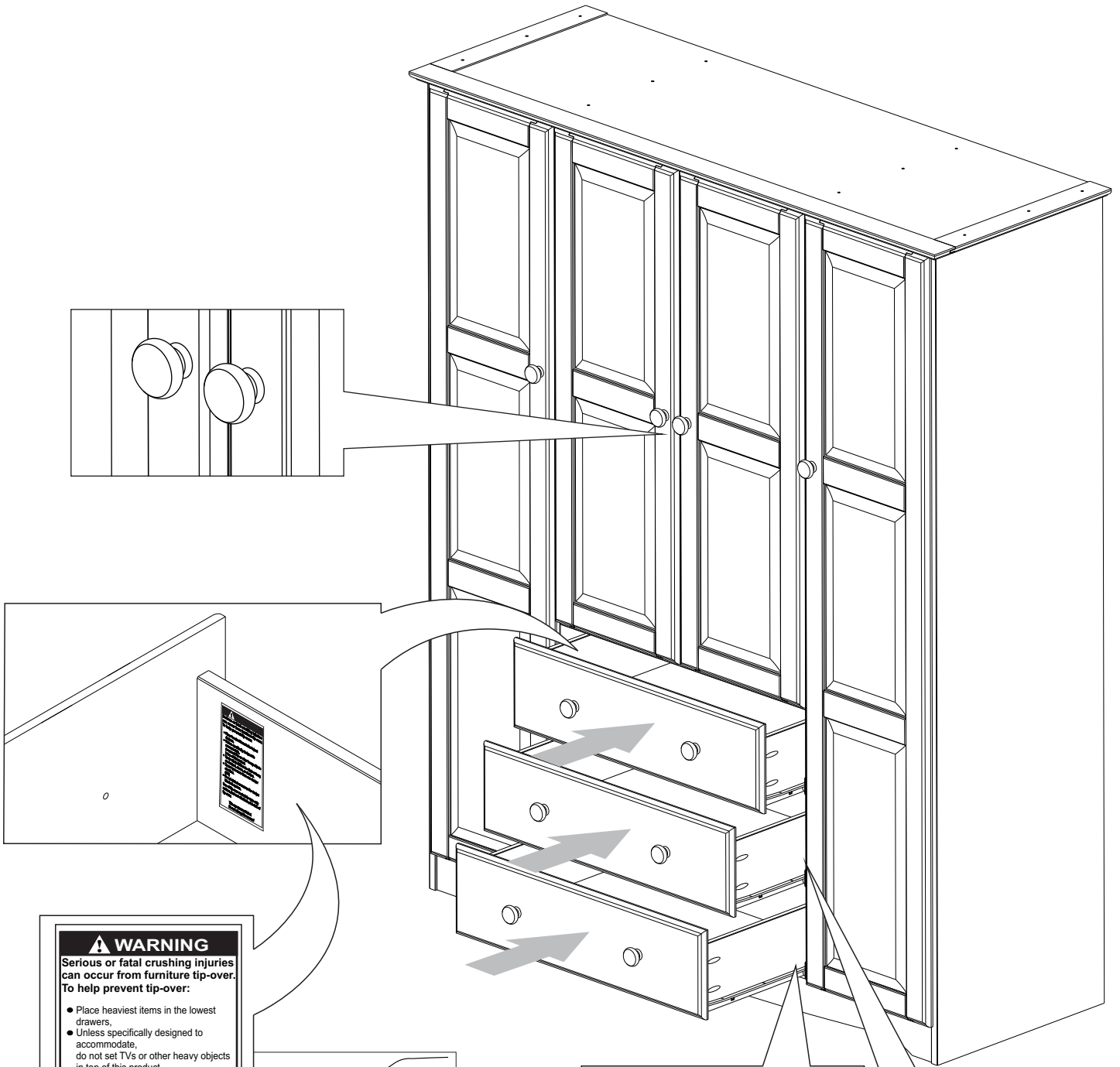


12)



A9	 3,5x16	04
A41	 4,0x30	04
H1		04

13)



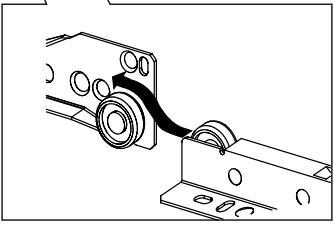
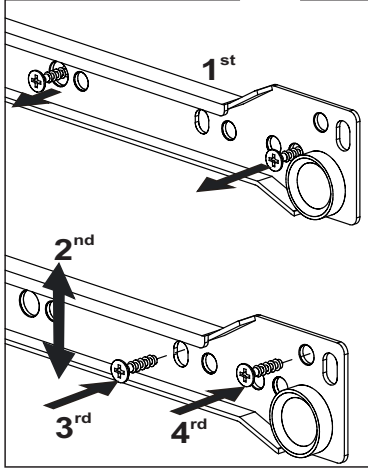
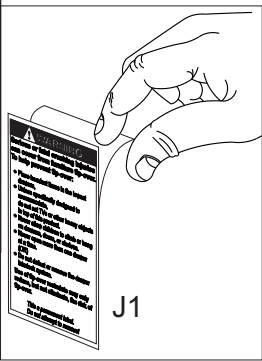
**WARNING**  
 Serious or fatal crushing injuries can occur from furniture tip-over. To help prevent tip-over:

- Place heaviest items in the lowest drawers.
- Unless specifically designed to accommodate, do not set TVs or other heavy objects in top of this product.
- Never allow children to climb or hang on drawers, doors, or shelves.
- Never open more than one drawer at a time.
- (OR)
- Do not defeat or remove the drawer interlock system.

Use of tip-over restraints may only reduce, but not eliminate, the risk of tip-over.

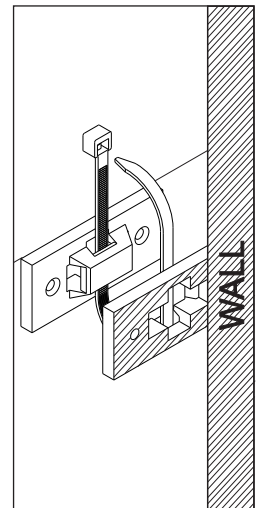
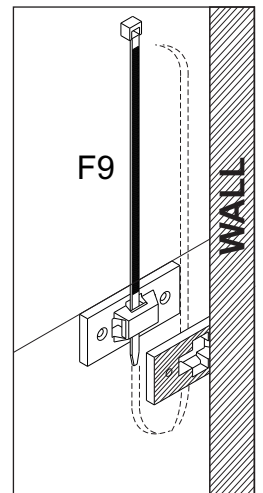
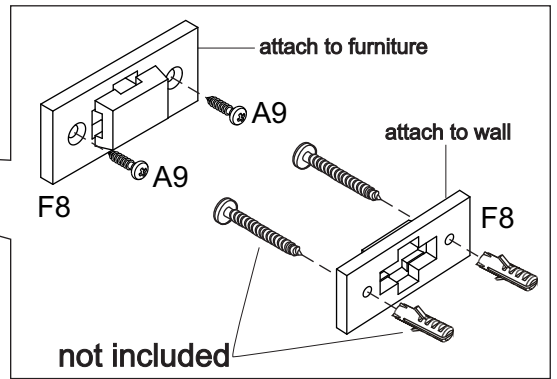
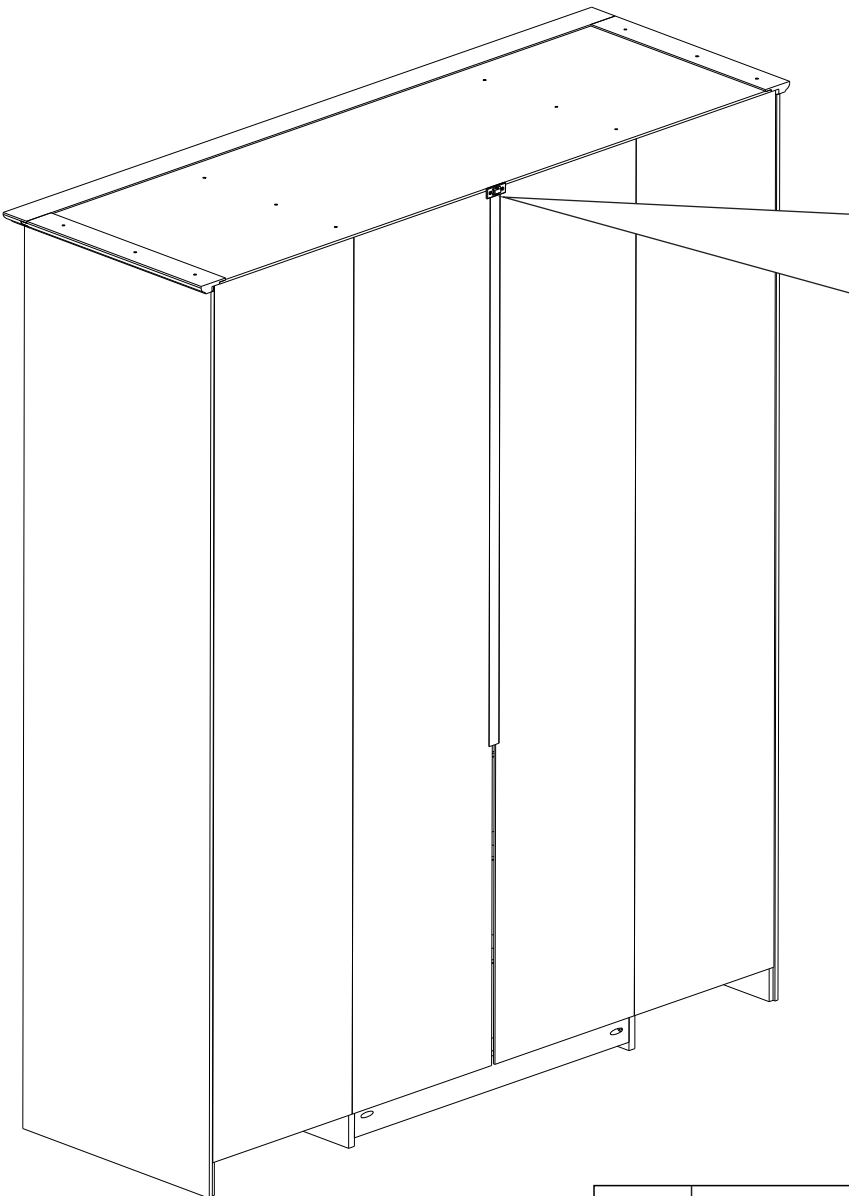
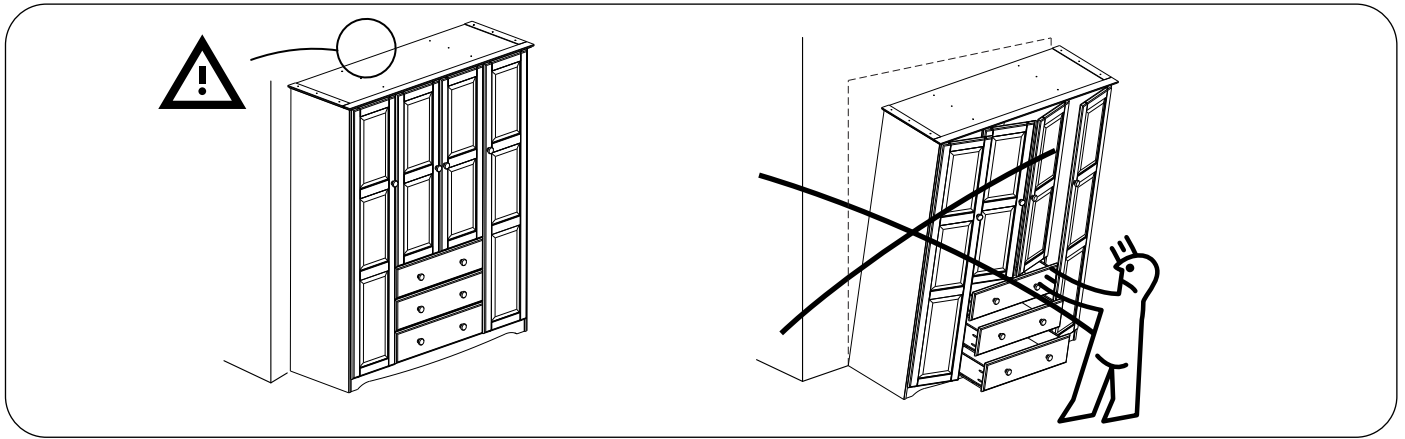
*This a permanent label. Do not attempt to remove!*


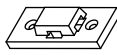

Place the warning label in upper drawer of the wardrobe as shown.



Metal glides can be adjusted as shown - Steps 1 through 4

15)



A9	 3,5x16	02
F8		02
F9		01