

16-Inch Manual Reel Mower with Catcher

Model No. MJ500M

Form No. SJ-MJ500M-880E

A Division of Snow Joe, LLC

OPERATOR'S MANUAL

IMPORTANT!

Safety Instructions



WARNING: READ ALL INSTRUCTIONS BEFORE USE.



WARNING: This unit can be dangerous! Careless or improper use can cause serious injury.



DANGER: Risk of cut. Keep hands and feet away from tines and cutting area.

Safety Information

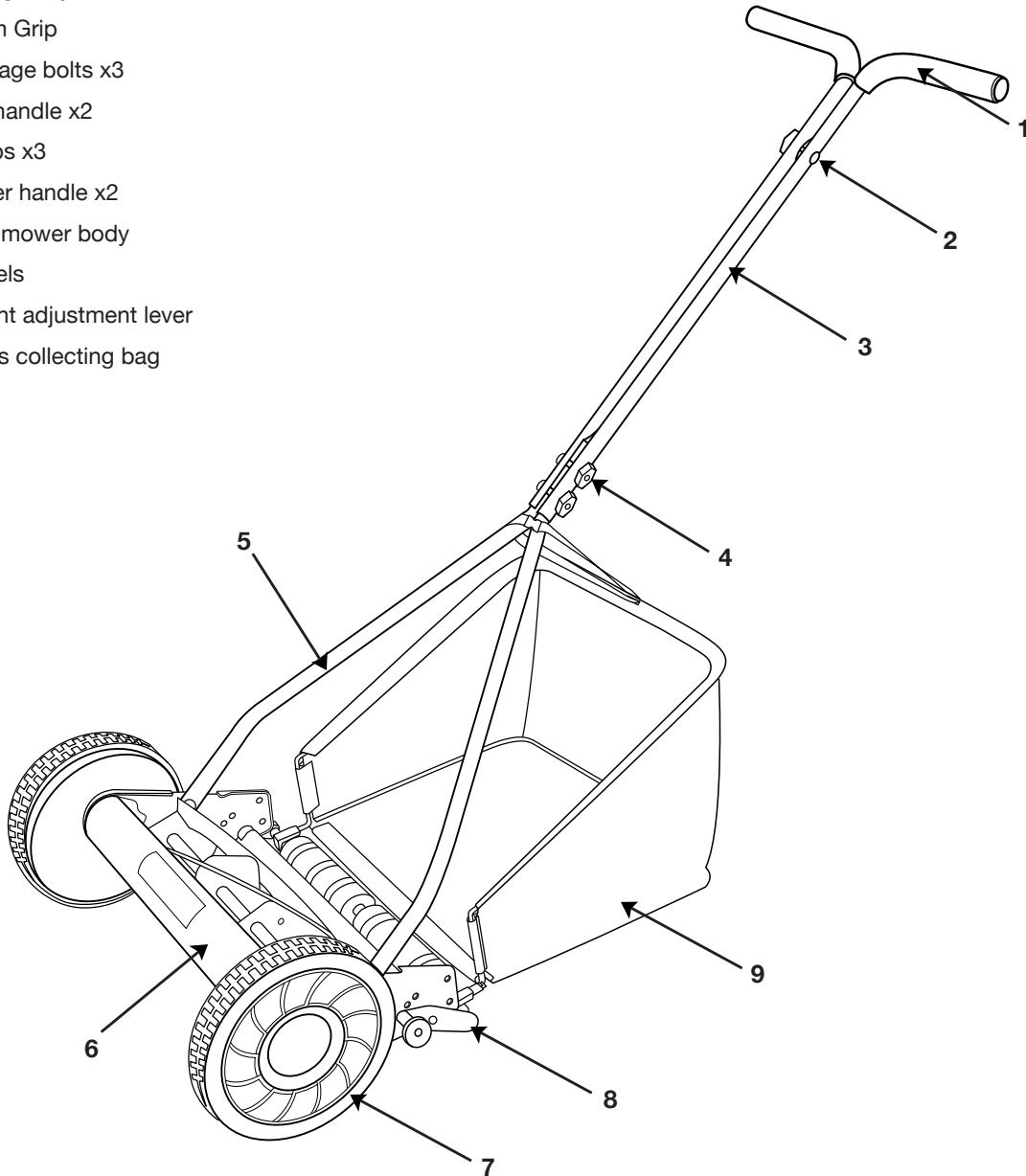
- Never place hands, fingers or feet inside the reel. Although this mower is not powered by a motor, the reel spins when the wheels turn, and it is sharp enough to cause serious injury.
- Never mow when grass is wet as it can be slippery.
- Do not use the reel mower while barefoot or while wearing sandals.
- Walk behind, never run, while using reel mower. Always make sure of your footing when using this reel mower.
- Do not intentionally strike or hit trees, fences, etc. This can cause injuries or severely damage the reel mower mechanisms.
- Make sure your reel mower is in a safe operating condition. Do not attempt to operate this reel mower if damaged. Contact customer service or have the reel mower repaired by a qualified repair service provider before using at all times.

SYMBOLS	DESCRIPTIONS
	Keep hands and feet away
	Safety alert
	Read the operator's manual
	Risk of cut Keep hands and feet away from tines and cutting area
	Severing of toes or fingers-rotary mower blade
	Thrown objects and rotating line can cause severe injury
	Slip on slope
	Keep bystanders/children away

Know Your Manual Reel Mower with Catcher

(Packing List)

1. Foam Grip
2. Carriage bolts x3
3. Top handle x2
4. Knobs x3
5. Lower handle x2
6. Reel mower body
7. Wheels
8. Height adjustment lever
9. Grass collecting bag



Technical Data

Cutting width	16" (40.6 cm)
Height adjustments	0.88" - 1.88" (2.4 cm - 4.8 cm)
Wheels	8.8" (22.4 cm)
Weight	22 lbs (10 kgs)

Assembly

1. Before attempting to assemble, empty carton and compare parts with packing list on page 2.

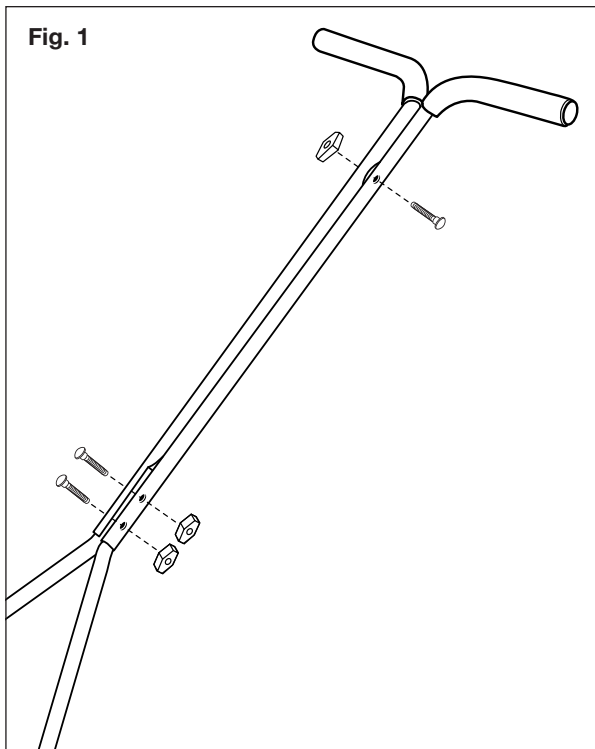
NOTE:

- Carefully remove the parts from the box.
- Inspect the parts to make sure no breakage or damage occurred during shipping.
- Do not discard the packing material until all parts are examined.
- If any parts are damaged or missing, please call 1-866-766-9563 for assistance.
- Be sure to tighten the knobs when assembled to prevent the handle from rocking.

Assembling the Handle (Fig. 1)

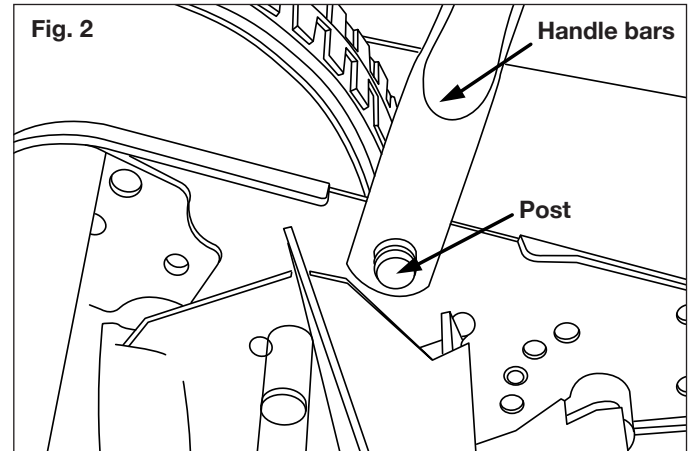
NOTE: Do not completely tighten knobs until assembly is completed.

1. Lay handles flat on ground.
2. Insert the two lower handles into the middle of left and right top handles.
3. Secure with two carriage bolts and knob provided, but not tighten knobs.
4. Attach the right top handle to the left top handle using one carriage bolt and knobs provided, then make sure that all the handles are still flat on ground.
5. Tighten all the knobs on the joints of the handle assembly.



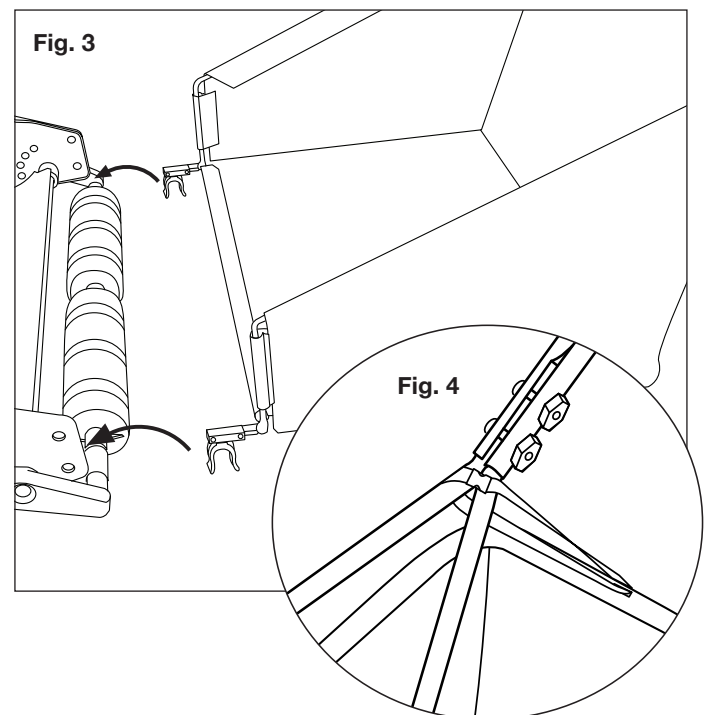
Attaching the Handle to the Mower Base (Fig. 2)

Align holes at the lower end of each handle arm with posts extending from the mower base side plates. Slide lower ends of handle arms onto posts. (**NOTE:** Press arms inward and slip on posts)



Assembling and attaching the rear bag (Fig. 3 & Fig. 4)

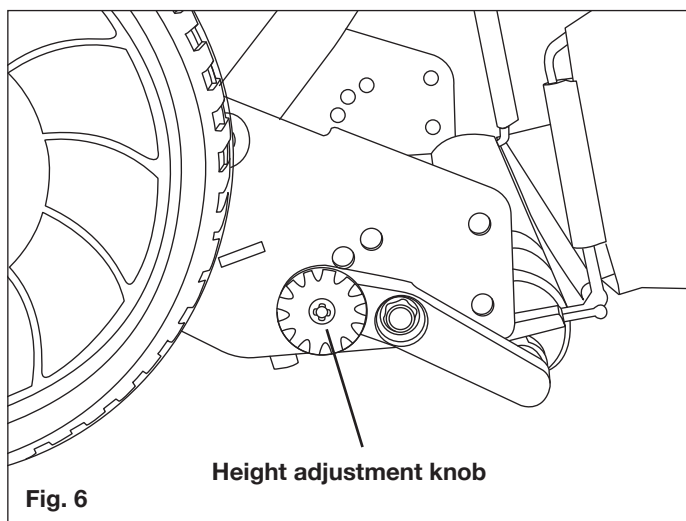
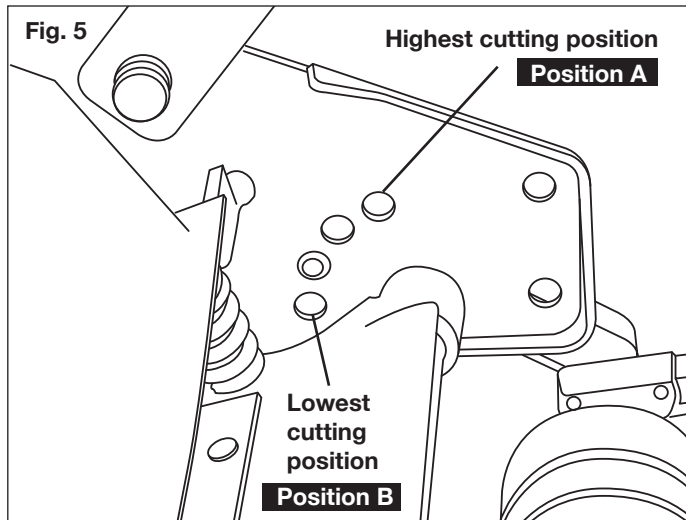
1. Assemble the bag onto the frame.
2. Place the completed rear bag and hook onto the roller bar end shaft. (Fig. 3)
3. Place locking strap from the rear bag to the center bars of the middle handle, adjust strap for proper height so the bag does not rub the ground while mowing or transporting. (Fig. 4)



Operation

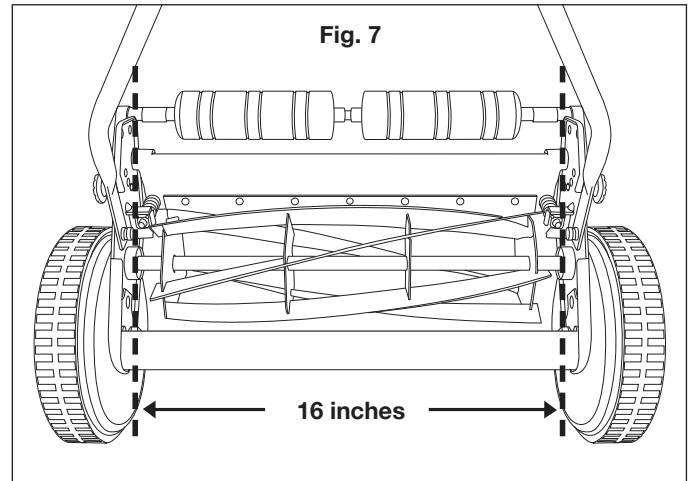
Cutting Height Adjustment (Fig. 5 & Fig. 6)

1. The cutting height of the 16" (40.6 cm) reel mower can be adjusted from 0.88"-1.88" (2.4 cm-4.8 cm) with 4 positions for adjustment height, using the roller assembly.
2. For the highest cutting position, place the adjustment knobs through the top hole which is on the side frame. (Position A) (Fig. 5)
3. For the lowest cutting position, place the adjustment knobs through the bottom hole which is on the side frame. (Position B) (Fig. 5)
4. Other cutting heights are achieved by moving the adjustment knobs to any stop between the highest and lowest positions.
5. To adjust height of cut, pull knob out and rotate to desired setting. (Fig. 6)



Align Cutting Path Indication Arrow With Previously Cut Path (Fig. 7)

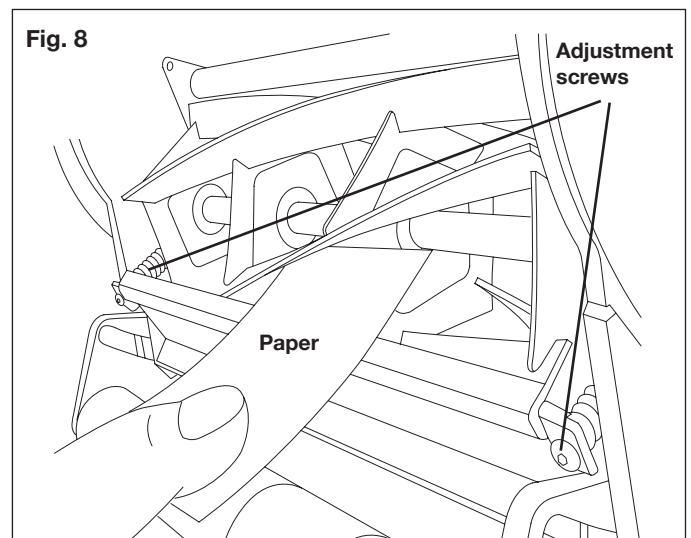
NOTE: The width of the reel mower actual cut is indicated below. Do not use wheels as a reference point for grass cut line.



Checking the Adjustment (Fig. 8)

1. Turn mower upside down.
2. Insert a piece of paper between cutter bar and reel blades, and slowly turn wheel by hand.
3. All blades should slice the paper evenly, along the entire length of the cutter bar while the reel turns smoothly.
4. If mower has an intermittent cut, adjustment should be made to the appropriate side of blades to attain proper cutting action.

⚠ WARNING: Do not overtighten adjustment screw as this could damage cutter bar. Both screws must be tight on final adjustment.



Care and Maintenance

1. Minimum care is required to ensure smooth operation of your mower.
2. To avoid damage to mower or cutting blades, keep area to be mowed free from debris.
3. For best results, regularly apply lubricant to mower's cutting surfaces, cutting reel axle shaft and wheels.

Sharpening the Cutting Blades:

1. Spread a thin layer of lapping compound on the front edge of the reel blades.
2. Adjust the cutter bar so that the blade has light but firm contact across the full width of the cutter bar.

CAUTION: Do not overtighten the adjusting screws, as this could damage the cutter bar. Tighten both screws during final adjustment.

3. Turn the reel blades until the front edge of the cutter bar blade is polished.

WARNING: Clean any grinding compound or debris from the cutter bar blade, reel blade, pinions and pawls.

NOTE: Use industrial or valve lapping compound between 100 and 240 grit. Lubricate the axle and pinion with a light film of wheel bearing grease.

Cleaning and Storage:

1. Clean the exterior of the machine thoroughly using a soft brush and cloth before storing. Do not use water, solvents or polishes.
2. Turn the mower on its side to clean the blade area.

WARNING: Do not place hands in the mower near blades. If grass cuttings are compacted in the blade area, remove using a wood or plastic cleaning tool appropriate for the cleaning of the blades.

3. Store the mower in a dry place. Do not place other objects on top of the mower during storage.

Maintenance Tips:

Reel mowers are relatively low maintenance. For consistent cutting follow the below instructions:

- Always keep the cutting bar properly adjusted. Refer to the instruction manual for further directions.
- Regularly clean and lube cutting edges with light spray oil.

IMPORTANT: Reel mowers have a difficult time with tall weeds such as dandelions which most times will cause the weeds to bend and not cut – cut often to prevent this.

Service and Support

If your Manual Reel Mower with Catcher requires service or maintenance, please call 1-866-766-9563 for assistance.

Model and Serial Numbers

When contacting the company or reordering parts, you will need to provide the model and serial numbers of your product. These are found on the decal affixed to the housing or handle of your Manual Reel Mower with Catcher. Copy these numbers into the space provided below.

Record the following numbers from the housing or handle of your new product:

Model #:

Serial #:



A Two-Year Full Warranty for residential use in the United States and Canada



General Conditions:

Snow Joe, LLC warrants this product to the original purchaser for two years against defects in material or workmanship when used for normal residential purposes. Snow Joe, LLC will repair any defect in material or workmanship, and repair or replace any defective part, subject to the conditions, limitations, and exclusions set forth herein. Such repair or parts replacement will be free from charge to the original purchaser except noted below.

The duration of the warranty applies only if the product is put to personal use around the household or residence. If the product is put to any business use, commercial or industrial, then the duration of this warranty is 90 days from the date of original purchase. If any product is rented or leased, the duration of the warranty is 90 days from the date of original purchase.

It is the owner's responsibility to perform correctly all maintenance, and minor adjustments explained in the owner's manual.

Electric Products:

To obtain a replacement electric powered unit or repair the existing electric powered unit, you must return the complete unit and postage prepaid to: **Snow Joe Return Center, 86 Executive Avenue, Edison, NJ 08817.**

Gasoline / Battery Products:

Limitations

- Batteries are warranted only for the period of 12 months after the date of purchase on a prorated basis. Rechargeable batteries will be replaced free from charge during the first 90 days. After the initial 90 days, batteries will be replaced at prorated cost to the customer
- Idlers, cables, and electrical components are warranted to the original purchaser for use at household or residence for a period of two years

Exclusions

- Snow Joe brand engines are covered under this warranty. All other engines and engine accessories are covered only by the engine manufacturer's warranty and are not covered by this warranty
- Parts used that are not genuine Snow Joe parts are not covered by this warranty
- Damages resulting from misuse, alteration, improper assembly, improper adjustment, neglect, or accident which requires repair is not covered under this warranty
- Belts, augers, and tines are not covered under warranty – belts, augers, and tines wear out and can be purchased at www.snowjoe.com or by calling 1-866-766-9563

Snow Joe, LLC may from time to time change the design of its products. Nothing contained in this warranty shall be construed as obligating Snow Joe, LLC to incorporate such design changes into previously manufactured products, nor shall such changes be construed as an admission that previous designs were defective.

This warranty is intended to cover product defects only. Snow Joe, LLC is not liable for indirect, incidental, or consequential damages in connection with the use of the Snow Joe Products covered by this warranty. This warranty does not cover any cost or expense incurred by the purchaser in providing substitute equipment or service during reasonable periods of malfunction or non-use of this product, while waiting for completion of repairs under this warranty. Some states do not allow exclusions of incidental or consequential damages, so the above exclusions may not apply in all states. This warranty may give you specific legal rights in your state.

**If you wish to contact Snow Joe, please direct inquiries to the:
Customer Service Department
Snow Joe Center
86 Executive Avenue
Edison, NJ 08817**

Customers who have purchased Snow Joe products exported from the United States and Canada should contact their Snow Joe Distributor (Dealer) to obtain information applicable for your country, province, or state. If for any reason, you are not satisfied with the distributor's service, or if you have difficulty obtaining warranty information, contact your Snow Joe seller. If in the event your efforts are unsatisfactory, please write to the Snow Joe Center at the above address.

If you have any questions about your product warranty, please call 1-866-SNOW-JOE or visit us online at www.snowjoe.com.