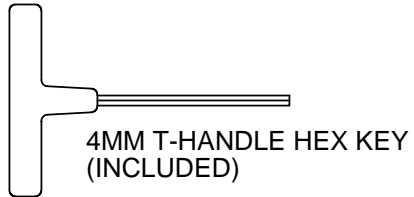


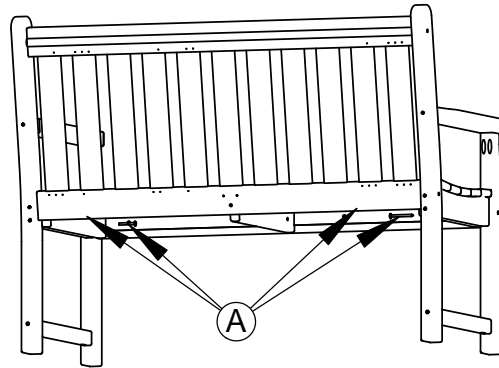
**Model: TGB48**

- (1) Seat
- (1) Back
- (2) Sideframes
- (1) Hardware pack

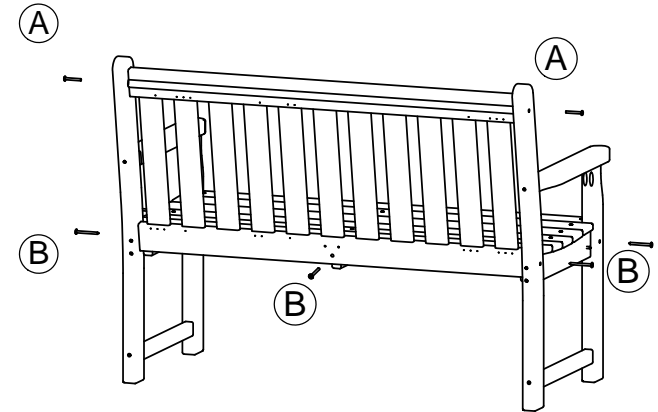
**TOOLS NEEDED**



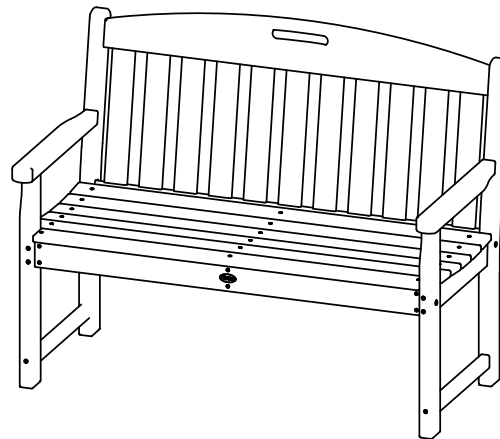
**Step 1**  
Attach sideframes to seat  
using (4) 1 3/4" chair bolts  
**DO NOT TIGHTEN!!**



**Step 2**  
- Attach back to sideframes  
using (2) 1 3/4" chair bolts  
into the tube on top and  
(4) 2 1/2" screws on bottom  
  
- Attach center of the back to  
the seat using (1) 2 1/2" screw



**Step 3**  
Tighten the 1 3/4" chair bolts  
from Step 1



Qty.	Description
6	A - 1/4-20 X 1-3/4 WAFER SHCS
5	B - .27 X 2 1/2 SOCKET WAFER "A"