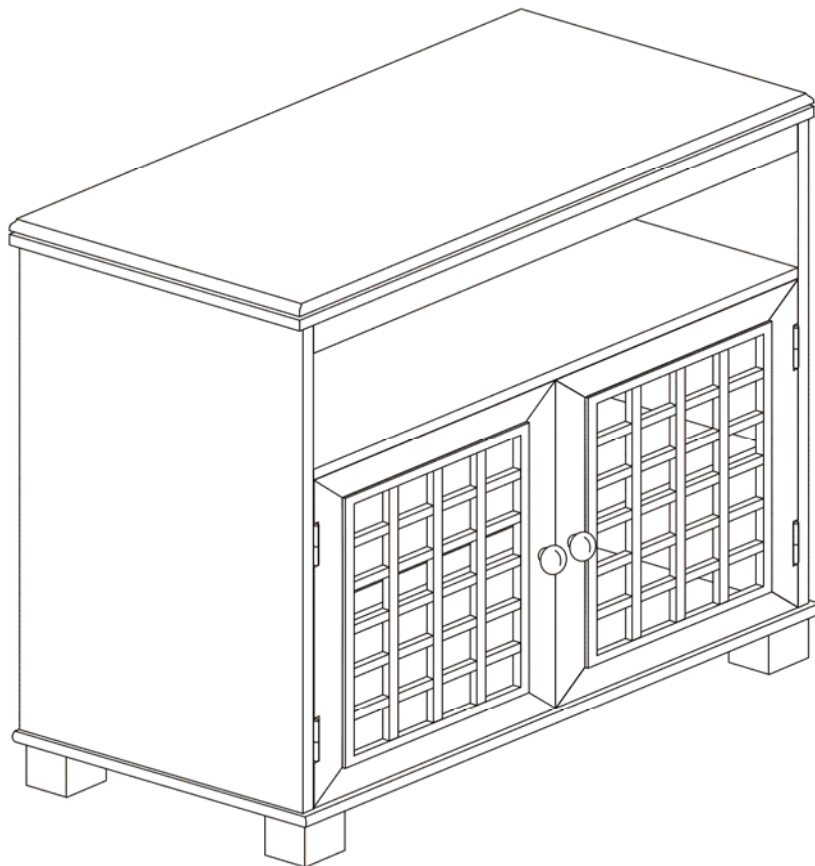


"NARITA" SWIVEL-TOP MEDIA STAND
MS704700TX-Walnut
MS704800TX-Espresso
Assembly Instructions



For assistance with assembly contact:
Southern Enterprises Inc.
Customer Service 1-800-633-5096
service@seidal.com
www.seidal.com

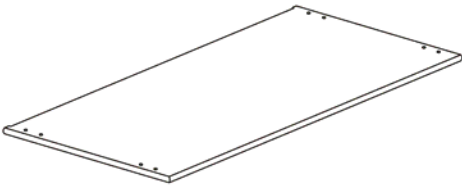

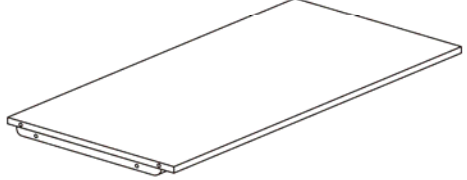


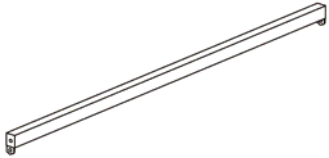
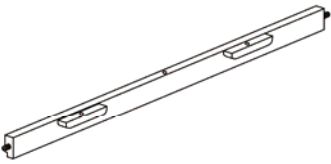
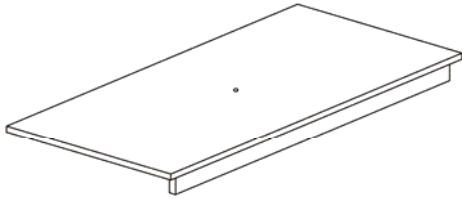
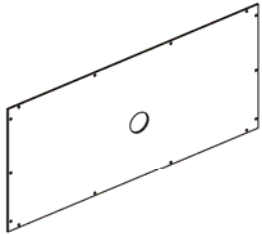
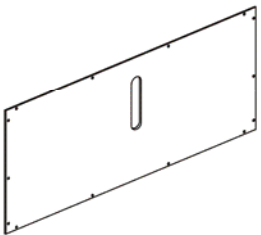
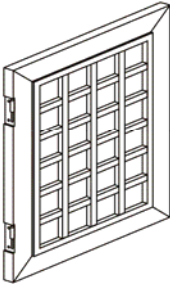
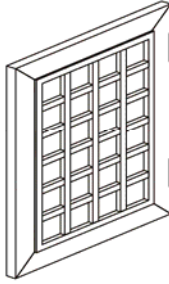
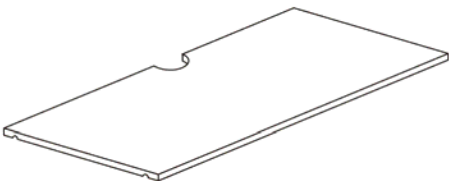

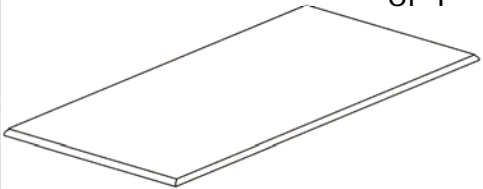
PO: 10932



"NARITA" SWIVEL-TOP MEDIA STAND

Parts List




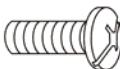
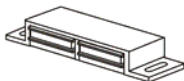





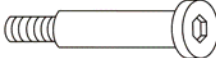
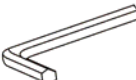
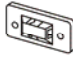




Please review all parts and hardware before disposing of any packaging.
Call Customer Service if missing hardware. Do not return to store/retailer.
Using hardware that is too long will cause damage.
Before beginning assembly, separate each type of hardware. Carefully study the hardware diagrams below. You may receive extra hardware with your unit

<p>A</p> <p>Quantity of 1</p>  <p>Bottom Panel</p>	<p>B</p> <p>Quantity of 4</p>  <p>Foot</p>	<p>C</p> <p>Quantity of 1</p>  <p>Fixed Shelf</p>
<p>D</p> <p>Quantity of 1</p>  <p>Left Side Panel</p>	<p>E</p> <p>Quantity of 1</p>  <p>Right Side Panel</p>	<p>F</p> <p>Quantity of 1</p>  <p>Back Stretcher</p>
<p>G</p> <p>Quantity of 1</p>  <p>Back Rail</p>	<p>H</p> <p>Quantity of 1</p>  <p>Top Panel</p>	<p>I</p> <p>Quantity of 1</p>  <p>Upper Back Panel</p>
<p>J</p> <p>Quantity of 1</p>  <p>Lower Back Panel</p>	<p>K</p> <p>Quantity of 1</p>  <p>Left Door</p>	<p>L</p> <p>Quantity of 1</p>  <p>Right Door</p>
<p>M</p> <p>Quantity of 1</p>  <p>Adjustable Shelf</p>	<p>N</p> <p>Quantity of 1</p>  <p>Swivel</p>	<p>O</p> <p>Quantity of 1</p>  <p>Swivel Top Panel</p>

"NARITA" SWIVEL-TOP MEDIA STAND

Parts List

Please review all parts and hardware before disposing of any packaging.
 Call Customer Service if missing hardware. Do not return to store/retailer.
 Hardware shown actual size. Using hardware that is too long will cause damage.
 Before beginning assembly, separate each type of hardware. Carefully study the hardware diagrams below. You may receive extra hardware with your unit

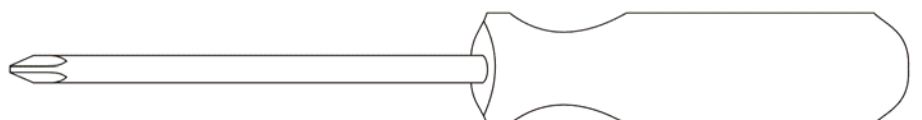
(1)  Quantity of 23 8mm x 30 mm Wood Dowel	(2)  Quantity of 18 1/4" x 1" Bolt	(3)  Quantity of 2 Washer
(4)  Quantity of 2 1/4" x 1/2" Bolt	(5)  Quantity of 1 Magnet	(6)  Quantity of 2 3.5mm x 15mm Screw For Magnet
(7)  Quantity of 28 3.5mm x 12 mm Screw For Back	(8)  Quantity of 2 Wood Knob	(9)  Quantity of 2 5/32" x 22mm Bolt For Wood Knob
(10)  Quantity of 4 Metal Pin	(11)  Quantity of 1 Allen Bolt	(12)  Quantity of 1 Allen Wrench
(13)  Quantity of 4 Bracket	(14)  Quantity of 4 3.5mm x 15 mm Screw For Bracket	(15)  Quantity of 4 Plastic Anchor
(16)  Quantity of 4 7mm x 38 mm Screw For Wall	(17)  Quantity of 2 Plastic Chain	

Care and Cleaning Instructions:

Before using, wipe with a clean, dry cloth. Periodically apply furniture wax to renew the finish. Avoid rubbing or scratching the surface with rough or abrasive objects.

For replacement parts or questions, please call Customer Service at 1-800-633-5096. Do not return product to store. Please call manufacturer for assistance, questions or parts.

Assembly Tool Required
 No. 2 Phillips Screwdriver
 (Not Included)



"NARITA" SWIVEL-TOP MEDIA STAND

Assembly Instructions

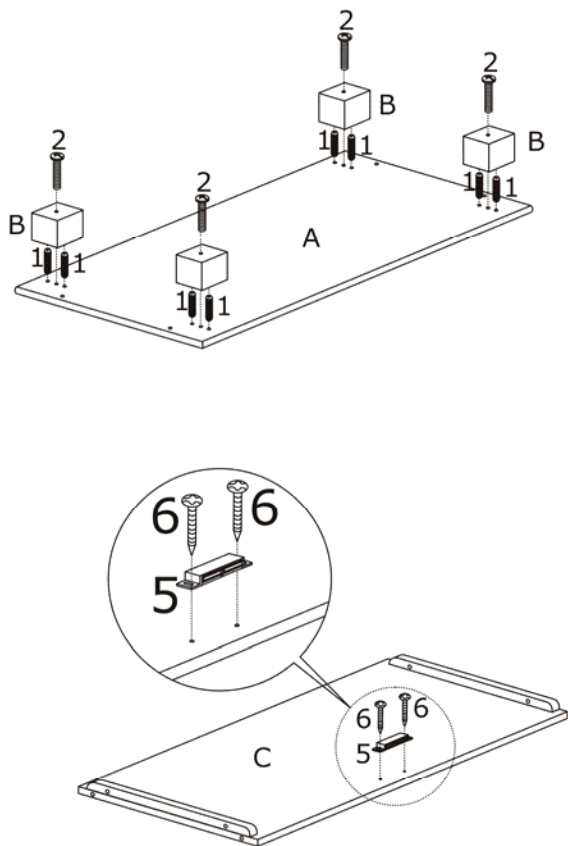

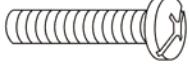




Figure 1

Assembly Instructions:

Wood may scratch easily. Be careful when assembling. Do not scratch.

- Step 1. Unpack and lay parts on clean, padded surface like carpet or blanket. Check that you have all parts indicated on the front page.
- Step 2. Put the Bottom Panel(A) on the soft working surface.
- Step 3. Insert the Wood Dowels(1) into predrilled holes in Foot(B).
- Step 4. Attach the Foot(B) to the Bottom Panel(A) with Bolt(2).
- Step 5. Attach Magnet(5) to Fixed Shelf(C) with Screw for Magnet(6).

(1)	 8mm x 30 mm Wood Dowel	Quantity of 8
(2)	 1/4" x 1" Bolt	Quantity of 4
(5)	 Magnet	Quantity of 1
(6)	 3.5mm x 15mm Screw For Magnet	Quantity of 2

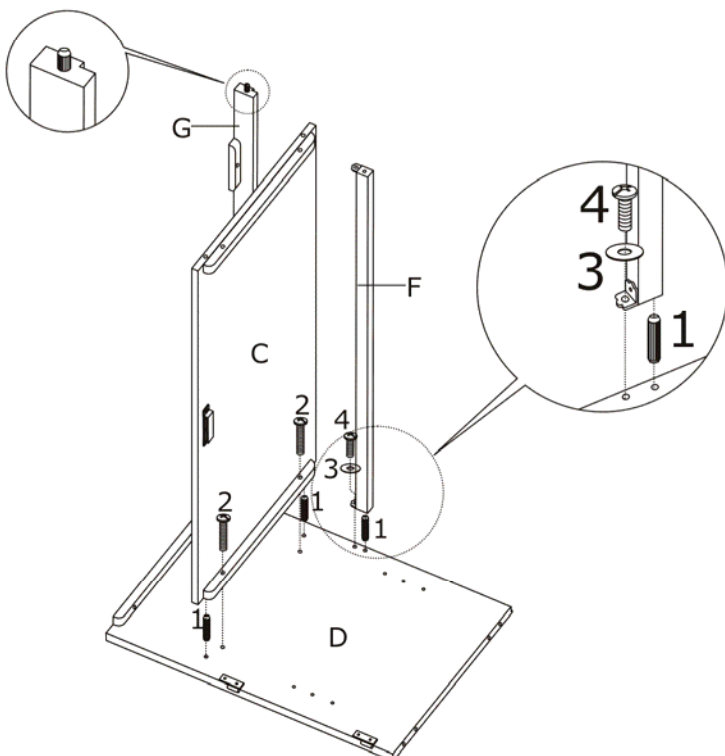



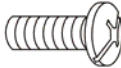


Figure 2

Step 1. Insert the Wood Dowels(1) into predrilled holes in Fixed Shelf(C) and Back Stretcher(F).

Step 2. Attach the Fixed Shelf(C) to the Left Side Panel(D) with Bolt(2), then fasten them.

Step 3. Attach the Back Rail(G) by inserting wood dowel into predrilled whole and Back Stretcher(F) to the Left Side Panel(D) with Washer(3) and Bolt(4), then fasten them.

(1)	 8mm x 30 mm Wood Dowel	Quantity of 3
(2)	 1/4" x 1" Bolt	Quantity of 2
(3)	 Washer	Quantity of 1
(4)	 1/4" x 1/2" Bolt	Quantity of 1

"NARITA" SWIVEL-TOP MEDIA STAND

Assembly Instructions

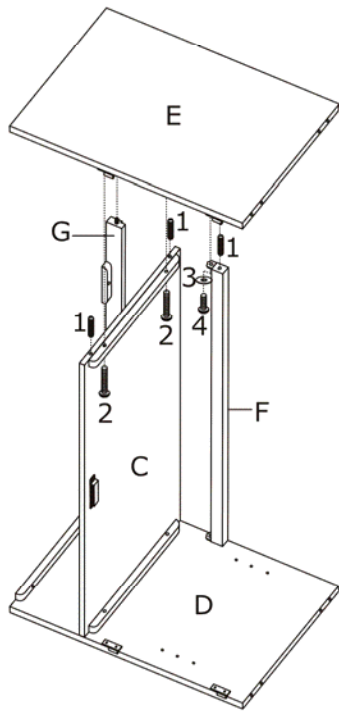
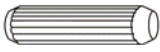


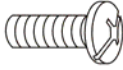


Figure 3

- Step 1. Insert the Wood Dowels(1) into predrilled holes in Fixed Shelf(C) and Back Stretcher(F).
- Step 2. Attach the Right Side Panel(E) to the Fixed Shelf(C) with Bolt(2) and Back Stretcher(F)with Washer(3) and Bolt(4), then fasten them.

(1)	 8mm x 30 mm Wood Dowel	Quantity of 3
(2)	 1/4" x 1" Bolt	Quantity of 2
(3)	 Washer	Quantity of 1
(4)	 1/4" x 1/2" Bolt	Quantity of 1

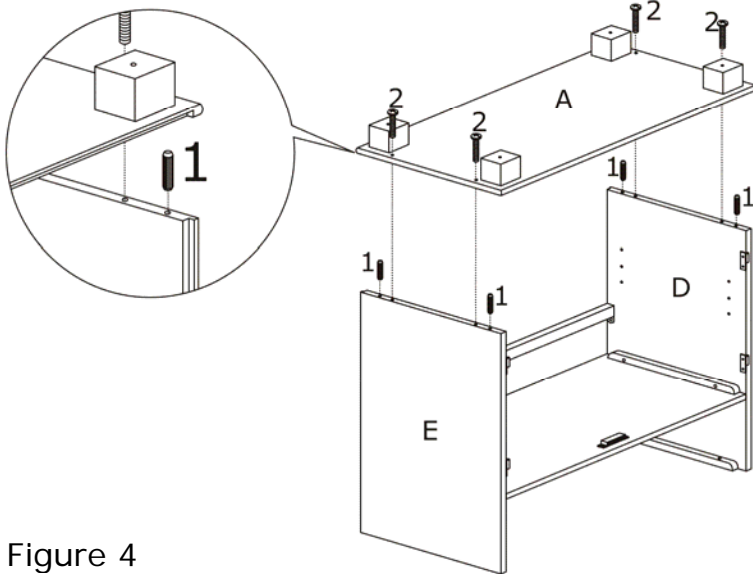

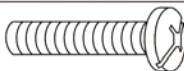


Figure 4

- Step 1. Insert the Wood Dowels(1) into predrilled holes in Side Panels(D,E)
- Step 2. Attach the Bottom Panel(A) to the Side Panel(D,E) with Bolt(2), then fasten them.

(1)	 8mm x 30 mm Wood Dowel	Quantity of 4
(2)	 1/4" x 1" Bolt	Quantity of 4

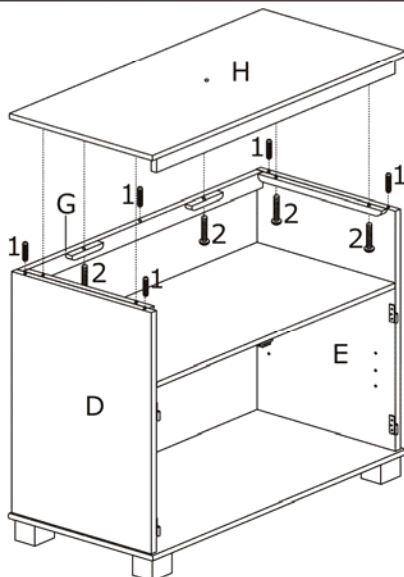

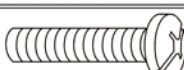


Figure 5

- Step 1. Insert the Wood Dowels(1) into predrilled holes in Side Panels(D,E) and Back Rail(G).
- Step 2. Attach the Top Panel(H) to the Side Panel(D,E) and Back Rail(G) with Bolt(2), then fasten them.

(1)	 8mm x 30 mm Wood Dowel	Quantity of 5
(2)	 1/4" x 1" Bolt	Quantity of 6

"NARITA" SWIVEL-TOP MEDIA STAND Assembly Instructions

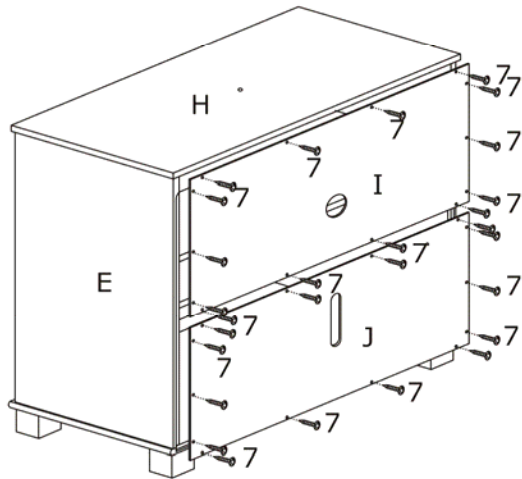



Figure 6

Step 1. Insert Upper Back Panel (I) and Lower Back Panel (J) into grooves of Side Panels (D,E), top Panel (H) and Bottom Panel (A) with Screw For Back (7) and tighten.

(7)		Quantity of 28
3.5mm x 12mm Screw For Back		

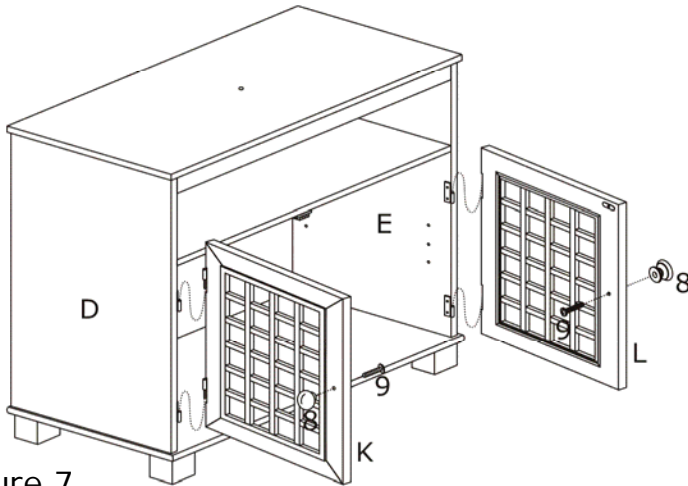


Figure 7

Step 1. Attach the Left Door (K) to the Left Side Panel (D) and Right Door (L) to the Right Side Panel (E).

Step 5. Attach Wood Knob (8) to Doors (K,L) with Bolt For Wood Knob (9).

(8)		Quantity of 2
Wood Knob		
(9)		Quantity of 2
5/32" x 22mm Bolt For Wood Knob		

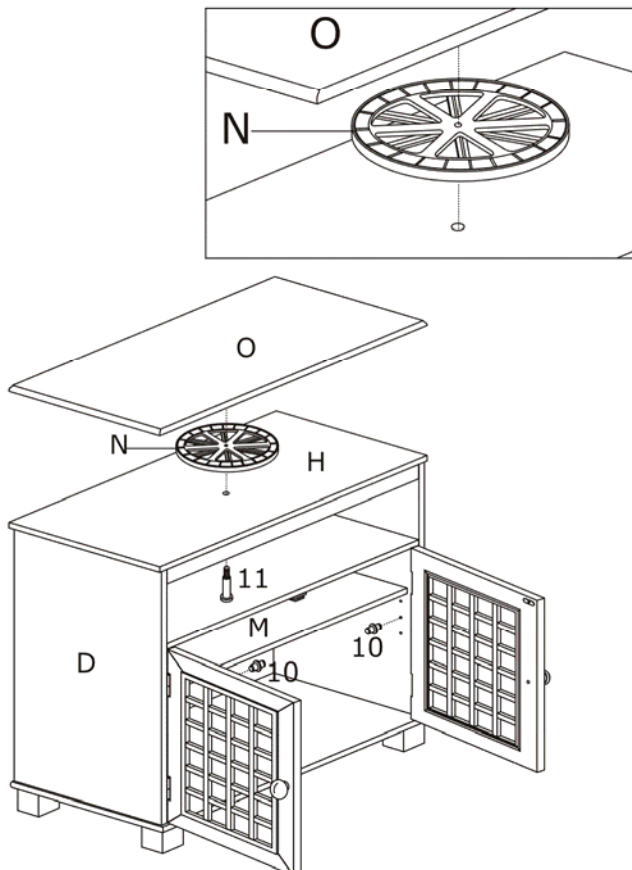





Figure 8

Step 1. Insert the metal Pin (10) into desirous holes of inner Side Panels (D,E).

Step 2. Put the Adjustable Shelf (M) on the Metal Pins (10) in each section.

Step 3. Attach the Swivel (N) and Swivel Top Panel (O) to the Top Panel (H) with Allen Bolt (11), then fasten them.

(10)		Quantity of 4
Metal Pin		
(11)		Quantity of 1
Allen Bolt		
(12)		Quantity of 1
Allen Wrench		

"NARITA" SWIVEL-TOP MEDIA STAND

Assembly Instructions

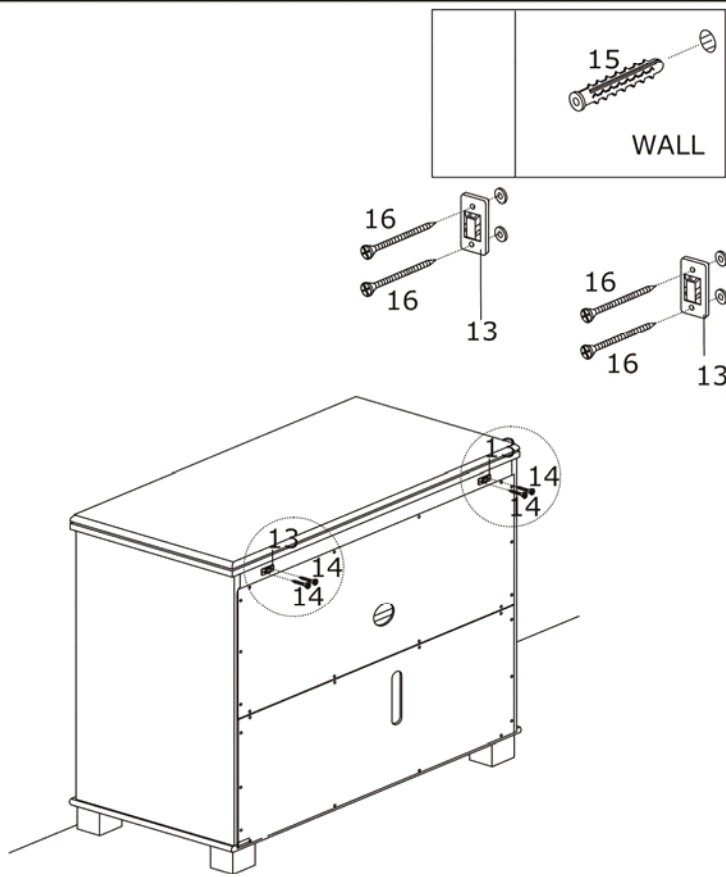


Figure 9

Step 1. Attach Bracket(13) to the Back Rail(G) with Screw For Bracket(14).

Step 2. Drill 1/4 pilot holes in near proximity of the Bracket(13) attached to the Back Rail(G) and tap the Plastic Anchor(15) into wall.

Step 3. Fasten Bracket(13) using Screw For Wall(16) into the Plastic Anchor(15).

(13)	Bracket	Quantity of 4
(14)	3.5mm x 15 mm Screw For Bracket	Quantity of 4
(15)	Plastic Anchor	Quantity of 4
(16)	3.5mm x 38 mm Screw For Wall	Quantity of 4

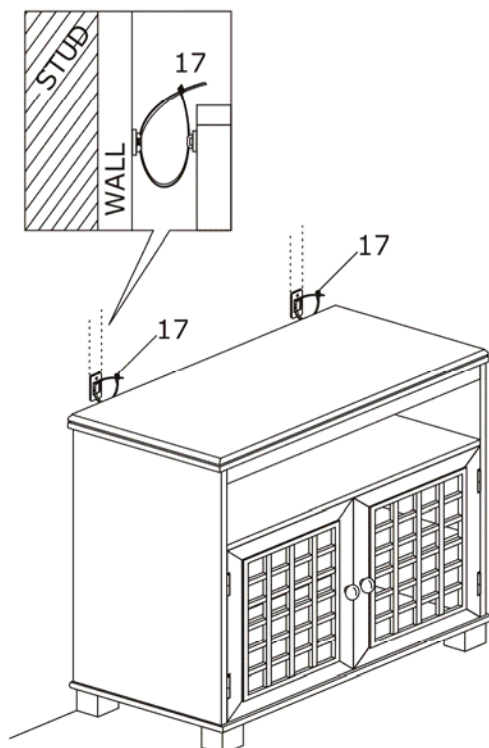


Figure 10

Step 1. Move this item to the fastened wall Bracket(13) and tie in both Bracket(13) with Plastic Chain(17) as shown in diagram.

(17)	Plastic Chain	Quantity of 2
------	---------------	---------------



Customer Service 1-800-633-5096
service@seidal.com
 Southern Enterprises, Inc.
 600 Freeport Parkway,
 Suite 200 Coppell, Texas, 75019

MS704700TX & MS704800TX Parts Replacement Form

Customer Information

Name _____

Address _____

City/State/Zip Code _____

Phone Number _____

Please indicate where you purchased this item: Store/Website/Catalog

Please indicate color/size/style number:

Style No	Parts Letter	Parts Description	Quantity Needed

Missing or damaged hardware and/or parts will be replaced free of charge. We do not sell parts. Southern Enterprises Inc. Will provide replacement parts for only those items purchased within the last 9 months. If this product has not been purchased from our retail affiliates (within 9 months), we are under no obligation to provide parts or replacement merchandise. Parts will not be available for items arriving fully assembled. Parts will be sent if available from SEI.

Please contact Southern Enterprises at 800-633-5096 or in Dallas (972) 869-0111/ 9am – 4pm Mon-Fri Central time if you have product issues with your purchase. Please ask for a **customer service representative** for issues involving damages or replacement parts. Please ask for a **technical assistance representative** for any issues with product assembly and product construction. Please contact the retailer that you purchased from for returns.

We'd love to hear from you! Email us photos of our products in your home at sei@seidal.com and we might feature it on our site or use it to model one of our inspirational photos.

 **CAUTION**

The top shelf of this cabinet is intended for plasma/LCD televisions having a maximum screen size of 25" and weight of 175 lb.

The top shelf is NOT INTENDED for tube televisions.

Each center shelf should not be loaded with more than 20 lb. Each side shelf should not be loaded with more than 15 lb.

DO NOT EXCEED RECOMMENDED LOAD. Use with products heavier than the maximum sizes and weights indicated may result in instability causing possible injury.

This unit contains a permanent warning sticker located on under side of top shelf or inside drawer.

Do not allow children under 16 years to move the cart.

Model: MS704700TX & MS704800TX
"NARITA" SWIVEL-TOP MEDIA STAND
Southern Enterprises, Inc
600 Freeport Parkway,
Suite 200 Coppell, Texas, 75019
Manufacture Date: 02/05/2010