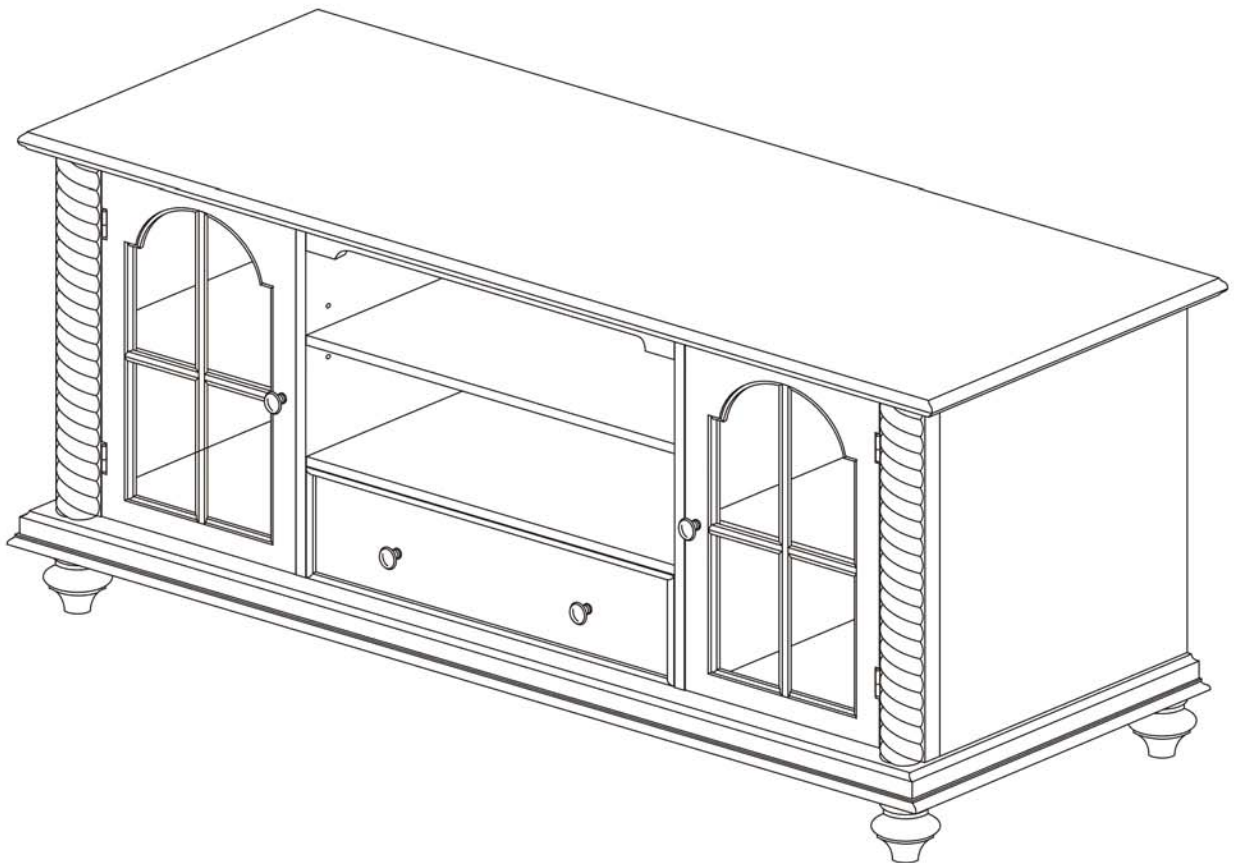


MS988900TX
"Tillman" TV/Media Stand
Salem Antique Oak Finishing
Assembly Instructions


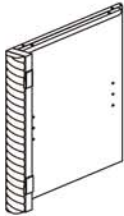
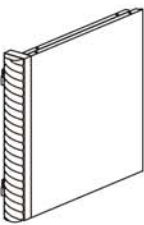
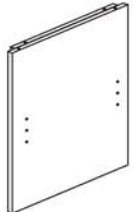
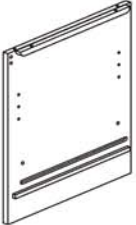
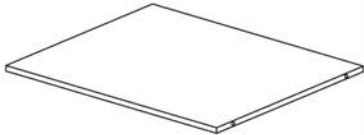





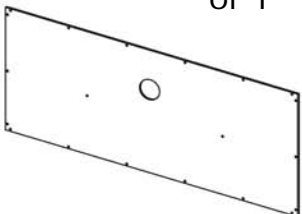
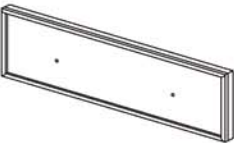

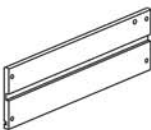
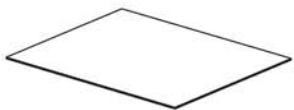

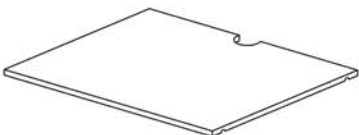
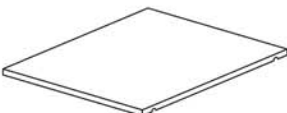


For assistance with assembly contact:
Southern Enterprises Inc.
Customer Service 1-800-633-5096
service@seidal.com
www.seidal.com




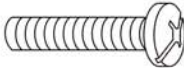

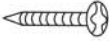
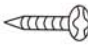





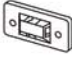
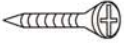

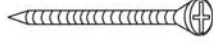

"Tillman" TV/Media Stand Parts List

Please review all parts and hardware before disposing of any packaging.
 Call Customer Service if missing hardware. Do not return to store/retailer.
 Hardware shown actual size. Using hardware that is too long will cause damage.
 Before beginning assembly, separate each type of hardware. Carefully study the hardware diagrams below (SHOWN ACTUAL SIZE). You may receive extra hardware with your unit

<p>A</p> <p>Quantity of 1</p>  <p>Bottom Panel</p>	<p>B</p> <p>Quantity of 1</p>  <p>Left Side Panel</p>	<p>C</p> <p>Quantity of 1</p>  <p>Right Side Panel</p>	<p>D</p> <p>Quantity of 1</p>  <p>Right Middle Panel</p>
<p>E</p> <p>Quantity of 1</p>  <p>Left Middle Panel</p>	<p>F</p> <p>Quantity of 1</p>  <p>Fixed Shelf</p>	<p>G</p> <p>Quantity of 1</p>  <p>Front Stretcher</p>	<p>H</p> <p>Quantity of 5</p>  <p>Support Foot</p>
<p>I</p> <p>Quantity of 1</p>  <p>Left door</p>	<p>J</p> <p>Quantity of 1</p>  <p>Right Door</p>	<p>K</p> <p>Quantity of 1</p>  <p>Top Panel</p>	<p>L</p> <p>Quantity of 1</p>  <p>Back Panel</p>
<p>M</p> <p>Quantity of 1</p>  <p>Drawer Face Panel</p>	<p>N</p> <p>Quantity of 1</p>  <p>Drawer Left Side Panel</p>	<p>O</p> <p>Quantity of 1</p>  <p>Drawer Right Side Panel</p>	<p>P</p> <p>Quantity of 1</p>  <p>Drawer Bottom Panel</p>
<p>Q</p> <p>Quantity of 1</p>  <p>Drawer Back Side Panel</p>	<p>R</p> <p>Quantity of 1</p>  <p>Middle Adjustable Shelf</p>	<p>S</p> <p>Quantity of 2</p>  <p>Side Adjustable Shelf</p>	

"Tillman" TV/Media Stand Parts List

Please review all parts and hardware before disposing of any packaging.
Call Customer Service if missing hardware. Do not return to store/retailer.
Hardware shown actual size. Using hardware that is too long will cause damage.
Before beginning assembly, separate each type of hardware. Carefully study the hardware diagrams below (SHOWN ACTUAL SIZE). You may receive extra hardware with your unit

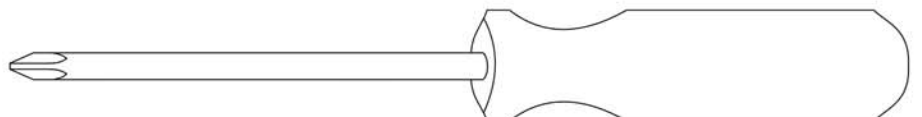
<p>(1) Quantity of 22</p>  <p>8mm x 30 mm Wood Dowel</p>	<p>(2) Quantity of 16</p>  <p>1/4" x 1" Bolt</p>	<p>(3) Quantity of 2</p>  <p>Magnet</p>
<p>(4) Quantity of 4</p>  <p>3.5mm x 15 mm Screw For Magnet</p>	<p>(5) Quantity of 20</p>  <p>3.5mm x 12 mm Screw For Back</p>	<p>(6) Quantity of 8</p>  <p>Metal Nut</p>
<p>(7) Quantity of 8</p>  <p>3/16" x 32mm Bolt For Drawer</p>	<p>(8) Quantity of 4</p>  <p>Metal Knob</p>	<p>(9) Quantity of 4</p>  <p>5/32" x 22mm Bolt For Metal Knob</p>
<p>(10) Quantity of 12</p>  <p>Metal Pin</p>	<p>(11) Quantity of 4</p>  <p>Bracket</p>	<p>(12) Quantity of 4</p>  <p>3.5mm x 15 mm Screw For Bracket</p>
<p>(13) Quantity of 4</p>  <p>Plastic Anchor</p>	<p>(14) Quantity of 4</p>  <p>7mm x 38mm Screw For Wall</p>	<p>(15) Quantity of 2</p>  <p>Plastic Chain</p>

Care and Cleaning Instructions:

Before using, wipe with a clean, dry cloth. Periodically apply furniture wax to renew the finish. Avoid rubbing or scratching the surface with rough or abrasive objects.

For replacement parts or questions, please call Customer Service at 1-800-633-5096. Do not return product to store. Please call manufacturer for assistance, questions or parts.

Assembly Tool Required
No. 2 Phillips Screwdriver
(Not Included)



"Tillman" TV/Media Stand Assembly Instructions

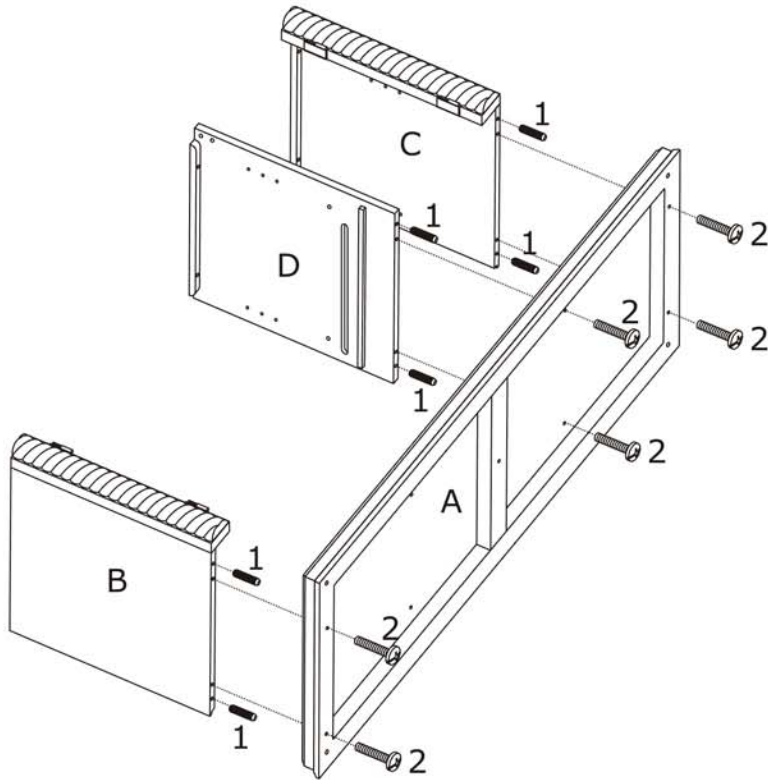



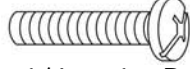
Figure 1

Assembly Instructions:

Wood may scratch easily. Be careful when assembling. Do not scratch.

- Step 1. Unpack and lay parts on clean, padded surface like carpet or blanket. Check that you have all parts indicated on the front page.
- Step 2. Put the Bottom Panel(A) on the soft working surface.
- Step 3. Insert the Wood Dowels(1) into predrilled holes in Side Panel(B,C) and Right Middle Panel(D).
- Step 4. Attach the Side Panel(B,C) to the Bottom Panel(A) with Bolt(2), then attach the Right Middle Panel(D) to Bottom Panel(A) with Bolt(2), then fasten them.

(1)		Quantity of 6
	8mm x 30 mm Wood Dowel	

(2)		Quantity of 6
	1/4" x 1" Bolt	

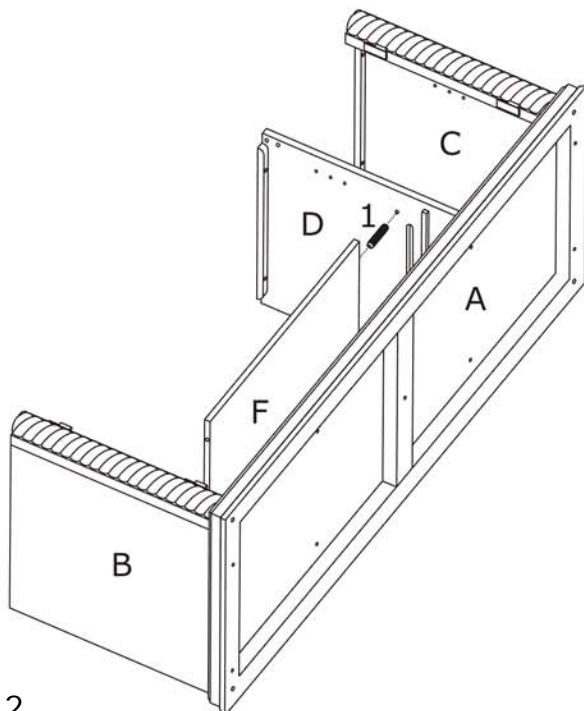



Figure 2

- Step 1. Insert the Wood Dowels(1) into predrilled holes in Fixed Shelf(F).
- Step 2. Attach the Fixed Shelf(F) to the Right Middle Panel(D).

(1)		Quantity of 2
	8mm x 30 mm Wood Dowel	

"Tillman" TV/Media Stand Assembly Instructions

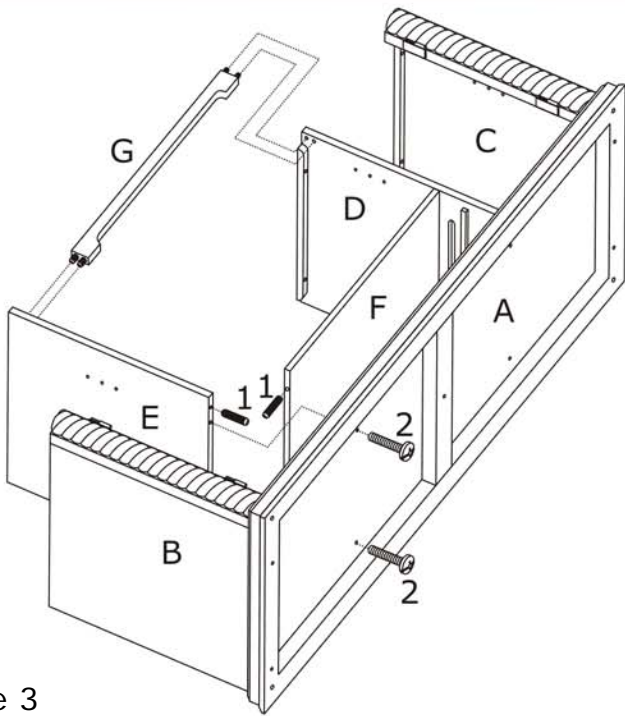

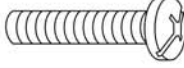


Figure 3

Step 1. Insert the Wood Dowels(1) into predrilled holes in Fixed Shelf(F) and Left Middle Panel(E).

Step 2. Attach the Left Middle Panel(E) to the Bottom Panel(A) and Fixed Shelf(F) with Bolt(2), then attach Front Stretcher(G) to Middle Panel (D,E), then fasten Bolt(2).

(1)	 8mm x 30 mm Wood Dowel	Quantity of 4
(2)	 1/4" x 1" Bolt	Quantity of 2

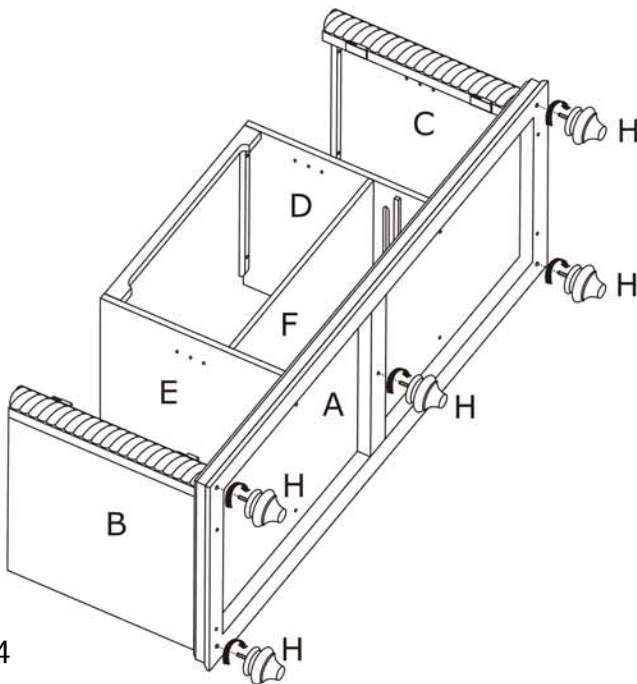


Figure 4

Step 1. Attach the Support Foot(H) to the Bottom Panel(A).

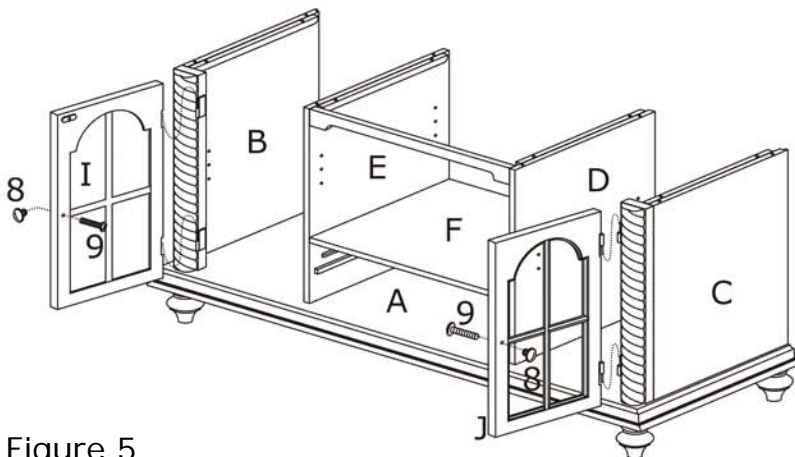


Figure 5

Step 1. Attach the Left Door(I) to the Left Side Panel(B) and Right Door(j) to the Right Side Panel(C).

Step 2. Attach Metal Knob(8) to Doors(I,J) with Bolt For Metal Knob(9).

(8)	 Metal Knob	Quantity of 2
(9)	 5/32" x 22mm Bolt For Metal Knob	Quantity of 2

"Tillman" TV/Media Stand Assembly Instructions

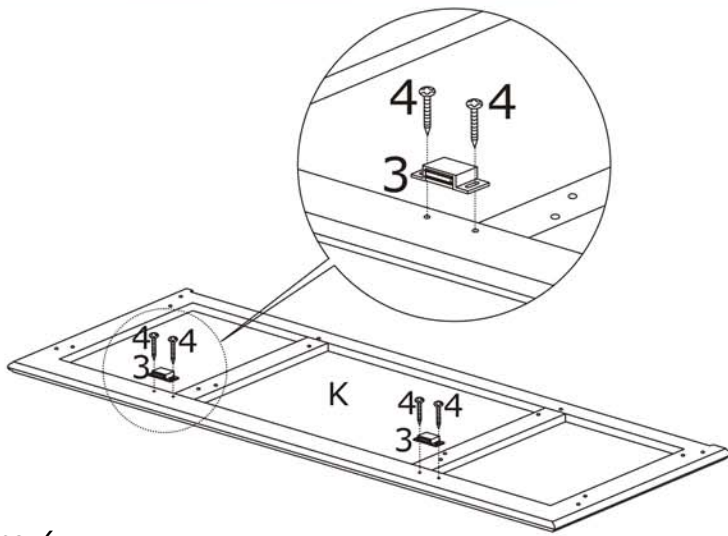
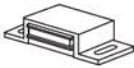


Figure 6

Step 1. Put the Top Panel (K) on the soft working surface.

Step 2. Attach Magnet(3) to Top Panel(K) with Screw for Magnet(4).

(3)		Quantity of 2
Magnet		

(4)		Quantity of 4
3.5mm x 15 mm Bolt For Magnet		

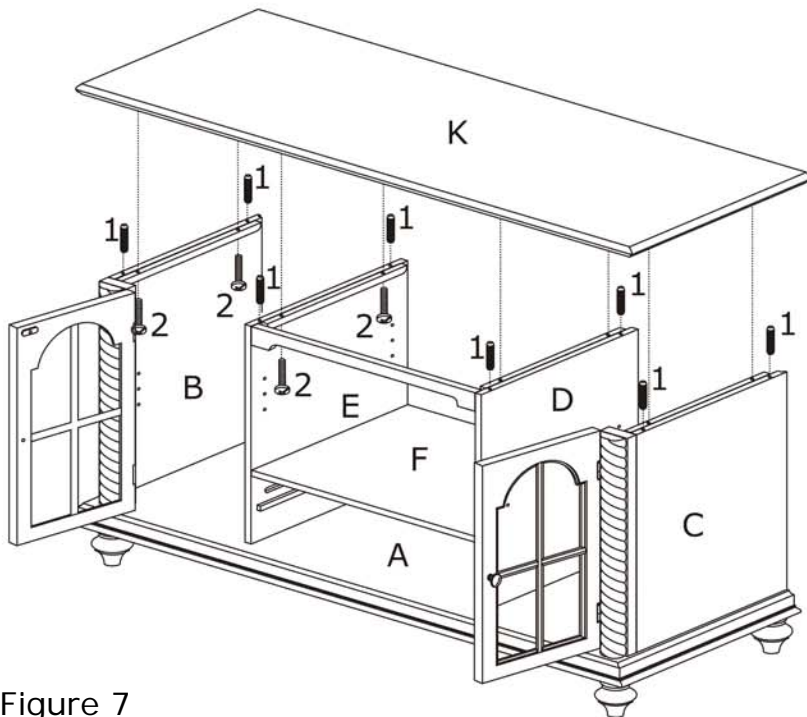



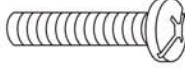
Figure 7

Step 1. Insert the Wood Dowels(1) into predrilled holes in Side Panels(B,C) and Middle Panels(D,E).

Step 2. Attach the Fixed Shelf(F) to the Right Middle Panel(D).

Step 3. Attach the Top Panel(K) to Side Panels(B,C) and Middle Panels(D,E) with Bolt(2), then fasten them.

(1)		Quantity of 8
8mm x 30 mm Wood Dowel		

(2)		Quantity of 8
1/4" x 1" Bolt		

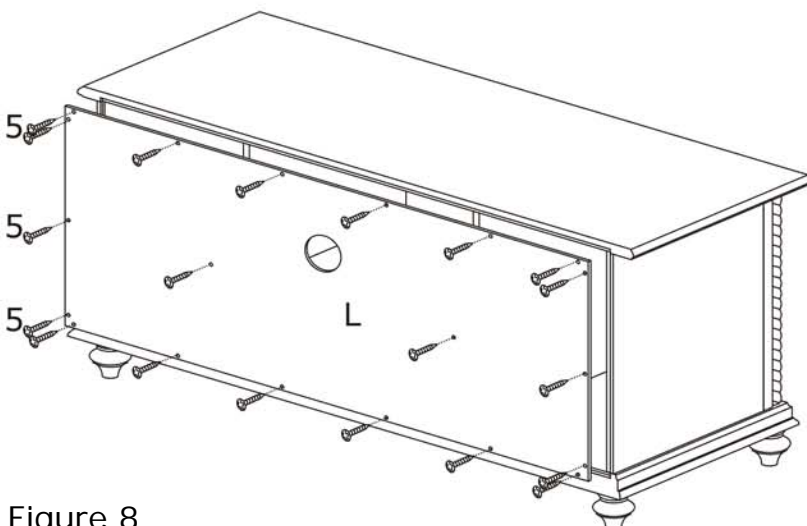


Figure 8

Step 1. Insert Back Panel (L) into grooves of Side Panels(B,C) with Screw For Back (5) and tighten.

(5)		Quantity of 20
3.5mm x 12mm Screw For Back		

"Tillman" TV/Media Stand Assembly Instructions

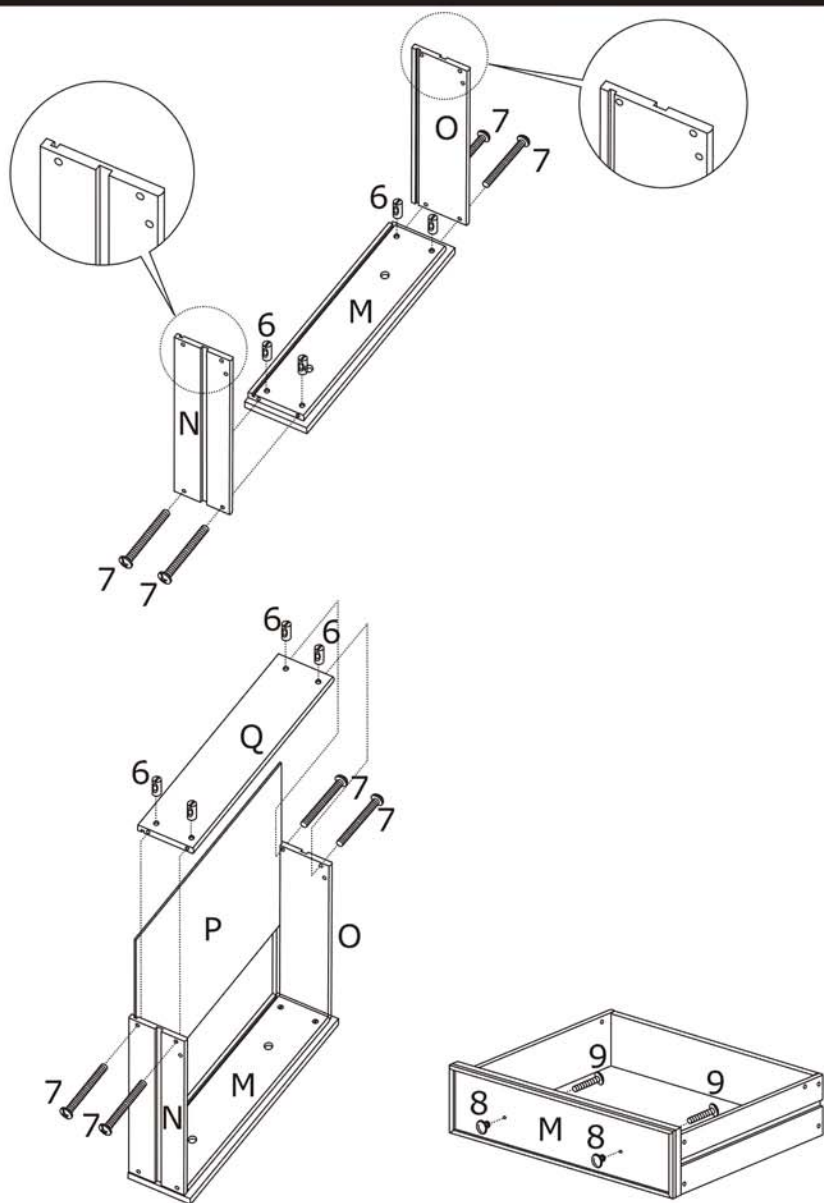

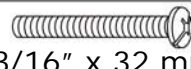




Figure 9

- Step 1. Insert Nut(6) into predrilled holes on Drawer Face Panel(M).
- Step 2. Attach Drawer Side Panels(N,O) to Drawer Face Panel(M) with Bolt for Drawer(7) through outer predrilled holes in Drawer Side Panels(N,O).
- Step 3. Put the Drawer Bottom Panel(P) into inner grooves of Drawer Side Panels(N,O) and Drawer Face Panel(M).
- Step 4. Insert Nut(6) into predrilled holes on Drawer Back Panel(O), then be Attach Drawer Back Panel(O) to end side of Drawer Side Panels(N,O),fasten with Bolts for Drawer(7).
- Step 5. Attach Metal Knob(8) to Drawer Face Panel(M) with Bolt For Metal Knob(9).

(6)	 Metal Nut	Quantity of 8
(7)	 3/16" x 32 mm Bolt For Drawer	Quantity of 8
(8)	 Metal Knob	Quantity of 2
(9)	 5/32" x 22 mm Bolt For Metal Knob	Quantity of 2

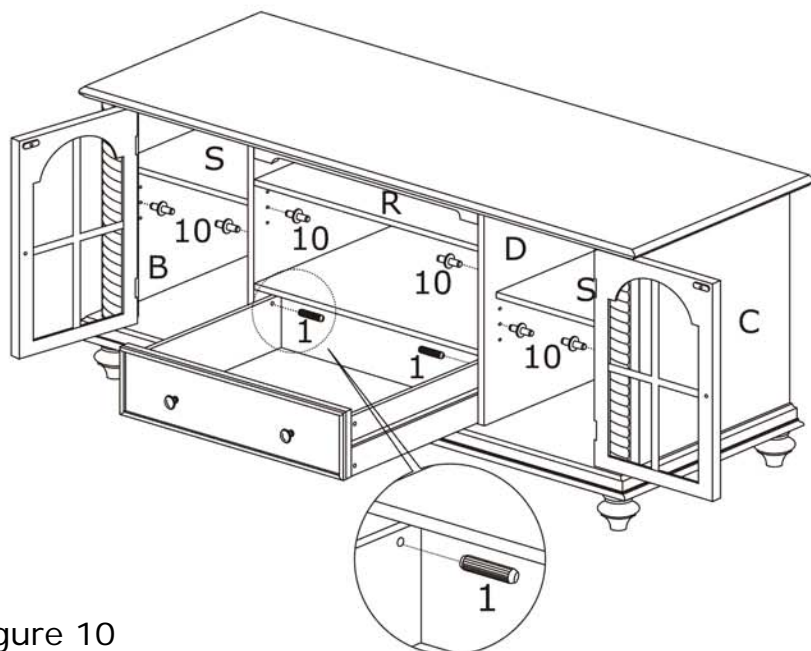




Figure 10

- Step 1. Place Drawer on Middle Panels(D,E).
- Step 2. Insert Wood Dowels(1) into predrilled holes Drawer Side Panel(N,O).
- Step 3. Insert the metal Pin(10) into desirous holes of inner Side Panels(B,C)and Middle Panel(D,E).
- Step 4. Put the Adjustable Shelf(R,S) on the Metal Pins(10)in each section

(1)	 8mm x 30 mm Wood Dowel	Quantity of 2
(10)	 Metal Pin	Quantity of 12

"Tillman" TV/Media Stand Assembly Instructions

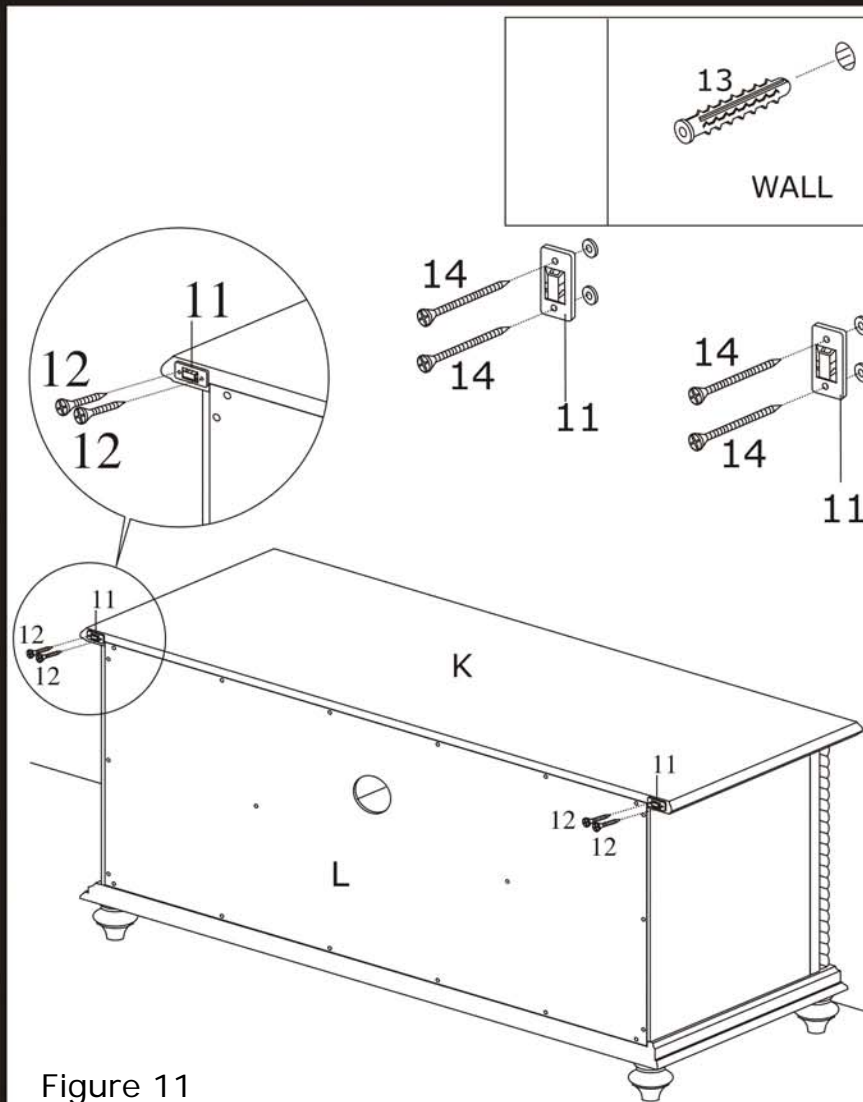


Figure 11

Step 1. Attach Bracket(11) to the Top Panel(K) with Screw For Bracket(12).

Step 2. Drill 1/4 pilot holes in near proximity of the Bracket(11) attached to the Top Panel(K) and tap the Plastic Anchor(13) into wall.

Step 3. Fasten Bracket(11) using Screw For Wall(14) into the Plastic Anchor(13).

(11)		Quantity of 4
(12)		3.5mm x 15 mm
(13)		Quantity of 4
(14)		Quantity of 4

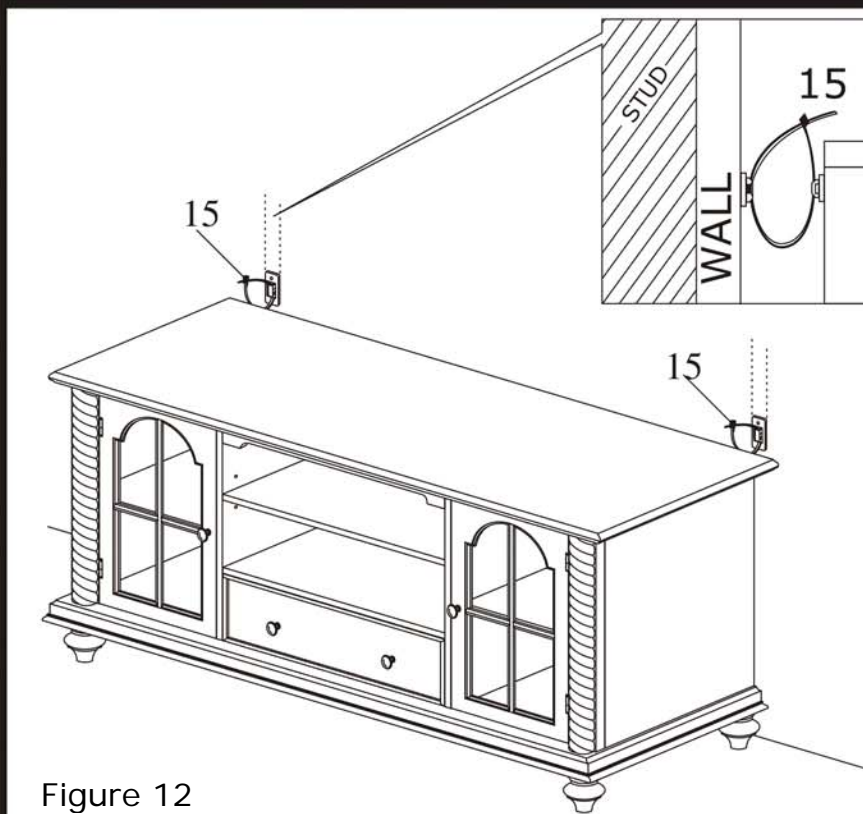


Figure 12

Step 1. Move this item to the fastened wall Bracket(11) and tie in both Bracket(11) with Plastic Chain(15) as shown in diagram.

(15)		Quantity of 2
------	--	---------------



Customer Service 1-800-633-5096
service@seidal.com
Southern Enterprises, Inc.
2915 Merrell Road
Dallas, Texas 75229

MS988900TX Parts Replacement Form

Customer Information

Name _____
Address _____
City/State/Zip Code _____
Phone Number _____

Please indicate where you purchased this item: Store/Website/Catalog

Please indicate color/size/style number:

Style No	Parts Letter	Parts Description	Quantity Needed

Missing or damaged hardware and/or parts will be replaced free of charge. We do not sell parts. Southern Enterprises Inc. Will provide replacement parts for only those items purchased within the last 9 months. If this product has not been purchased from our retail affiliates (within 9 months), we are under no obligation to provide parts or replacement merchandise. Parts will not be available for items arriving fully assembled Parts will be sent if available from SEI.
We'd love to hear from you! Email us photos of our products in your home at sei@seidal.com and we might feature it on our site or use it to model one of our inspirational photos.

 **CAUTION**

The top shelf of this cabinet is intended for plasma/LCD televisions having a maximum screen size of 46" and weight of 175 lb.

The top shelf is NOT INTENDED for tube televisions.

Each center shelf should not be loaded with more than 20 lb. Each side shelf should not be loaded with more than 15 lb.

DO NOT EXCEED RECOMMENDED LOAD. Use with products heavier than the maximum sizes and weights indicated may result in instability causing possible injury.

This unit contains a permanent warning sticker located on under side of top shelf or inside drawer.

Do not allow children under 16 years to move the cart.

Model: MS988900TX
"Tillman" TV/Media Stand
Southern Enterprises, Inc
1970 Crown Drive
Manufacture Date: 04/23/2009