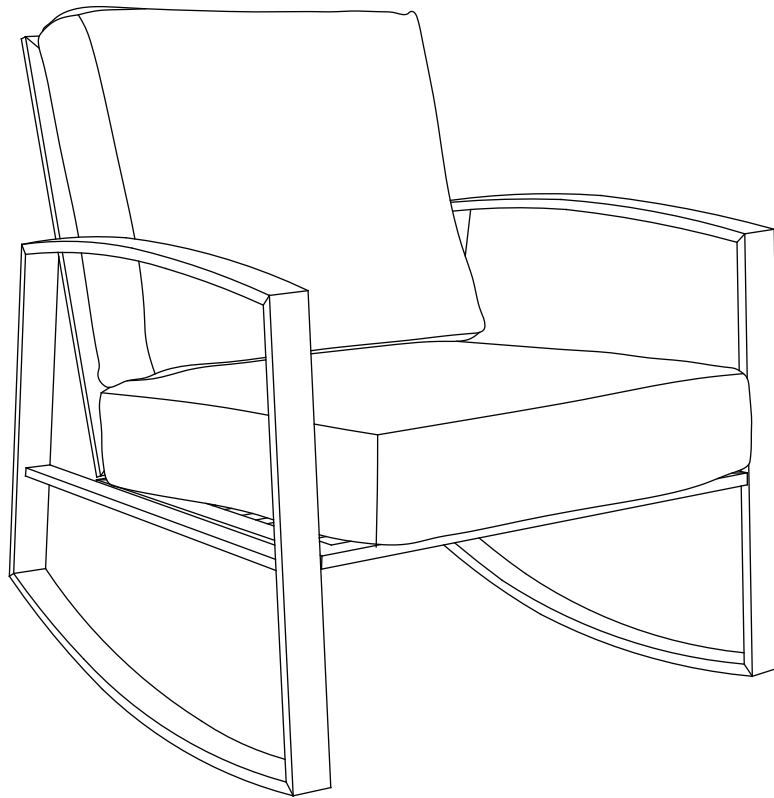


allen + roth®

welcoming • sophisticated • inspiring



allen + roth® is a registered trademark of LF, LLC. All Rights Reserved.

ITEM #0609560

PORCH ROCKERS WITH CUSHIONS (Set of 2)

MODEL #MW-5165-R-HF

Français p. 6

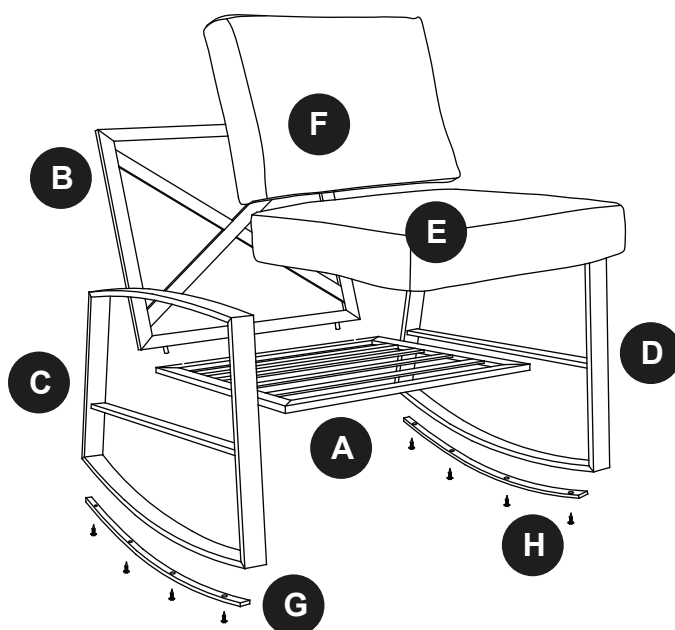
Español p. 11

ATTACH YOUR RECEIPT HERE

Serial Number _____ Purchase Date _____

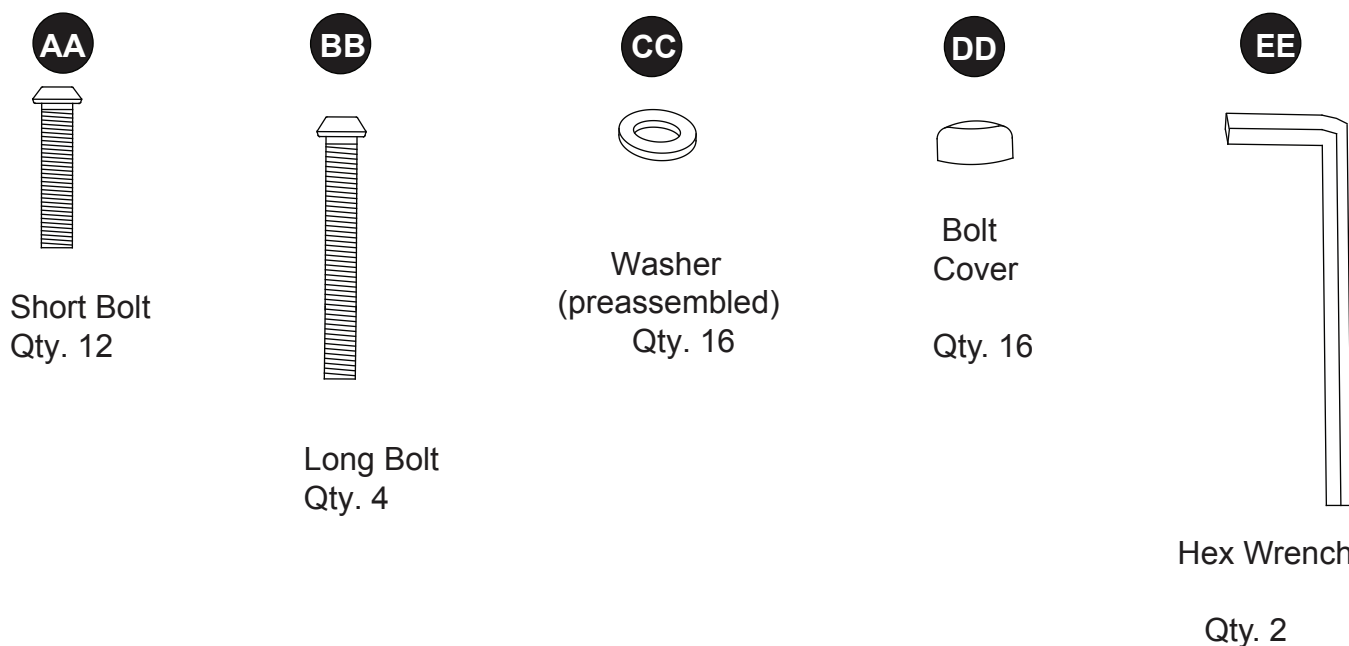
Questions, problems, missing parts? Before returning to your retailer, call our customer service department at 1-866-439-9800, 8 a.m. - 8 p.m., EST, Monday - Friday.

PACKAGE CONTENTS



Part	Description	Quantity
A	Seat Frame	2
B	Back Frame	2
C	Right Arm	2
D	Left Arm	2
E	Seat Cushion	2
F	Back Cushion	2
G	Bar (preassembled)	4
H	Bolt (preassembled)	16

HARDWARE CONTENTS (shown actual size)



SAFETY INFORMATION

Please read and understand this entire manual before attempting to assemble or install the product.

- Paint on this furniture might peel if it is not handled properly. Handle with care.

PREPARATION

Before beginning assembly of product, make sure all parts are present. Compare parts with package contents list and hardware contents list. If any part is missing or damaged, do not attempt to assemble the product.

Estimated Assembly Time: 30 minutes

Tools Required for Assembly (included): Hex Wrench

ASSEMBLY INSTRUCTIONS

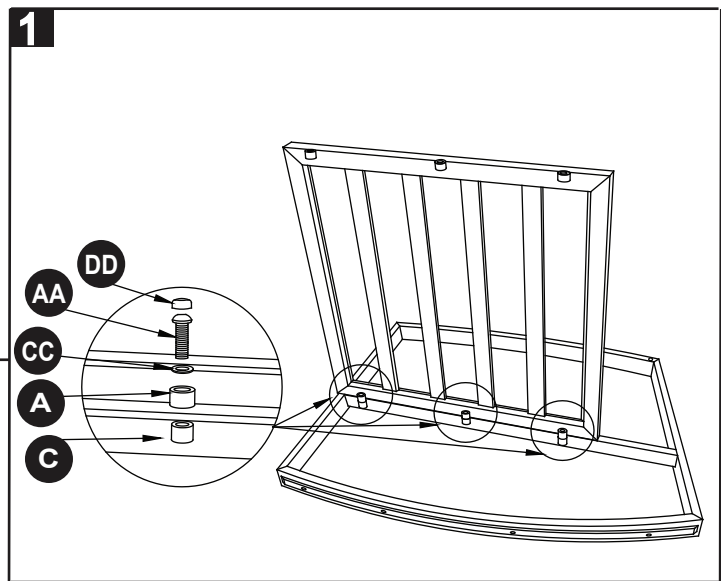
1. Place the right arm (C) upside down on a soft surface. Attach the seat frame (A) to right arm (C) using short bolts (AA) and washers (CC).

Note: Hand tighten only.

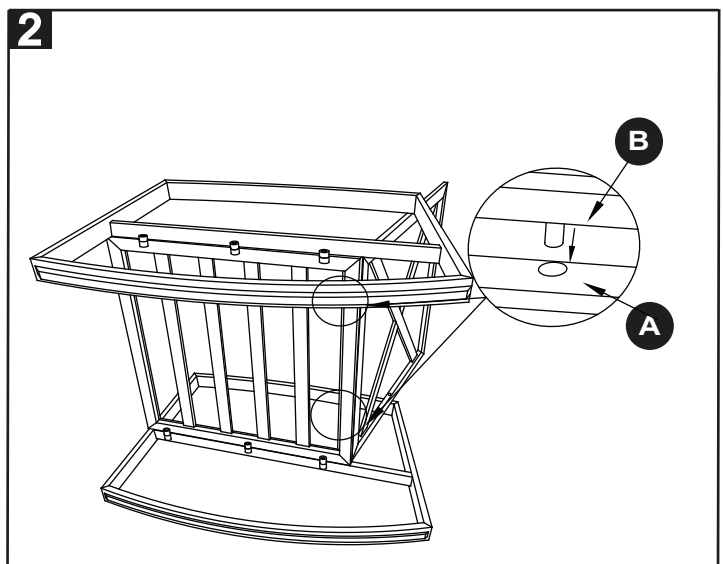
Repeat for left arm (D).

Hardware Used

-  Short Bolt x 6
-  Washer x 6



2. Insert back frame (B) into seat frame (A).



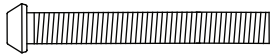


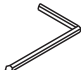
3. Attach back frame (B) to the right arm (C) using long bolt (BB) and washer (CC).

Repeat for left arm (D).

Note: Hand tighten only.

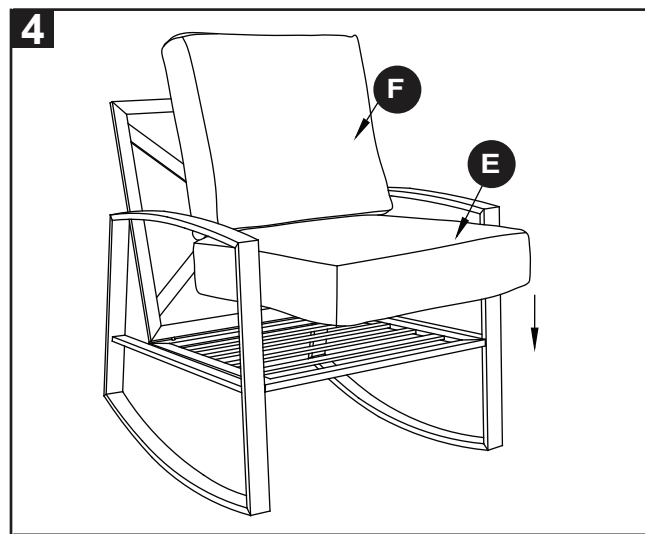
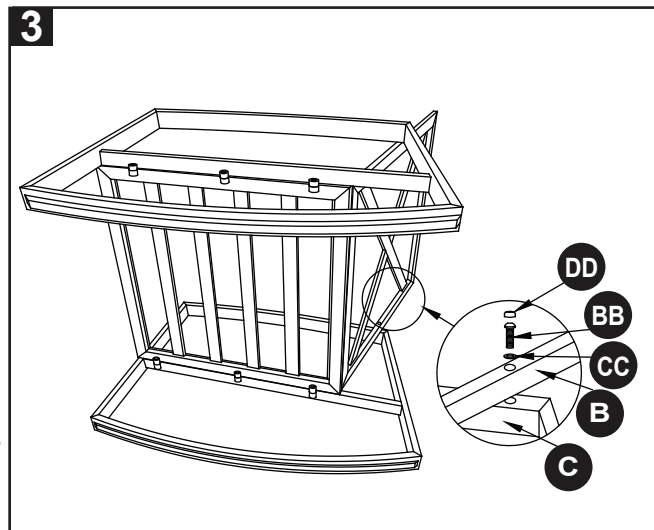
Check alignment of all hardware, and make any necessary corrections. Then, fasten all bolts with hex wrench (EE) and cover bolts with bolt covers (DD).

Hardware Used

- | | | |
|----------------------|---|-----|
| BB Long Bolt |  | x 2 |
| CC Washer |  | x 2 |
| DD Bolt Cover |  | x 8 |
| EE Hex Wrench |  | x 1 |

4. Turn the rocker upright and attach the seat cushion (E) and back cushion (F) to chair assembly as desired.

Repeat steps 1-4 for the second rocker.



CARE AND MAINTENANCE

- Clean frame with a solution of warm water and mild soap. Dry completely. Do not use bleach or solvents. Use a fine automotive wax to maintain gloss on non-textured finishes.
- The finish on furniture is formulated and baked on to make it highly resistant to repellents and lotions. However, to avoid discoloration, clean the frame as soon as possible after exposure.
- Spot wash fabric by sponging briskly with a soapy solution in lukewarm water (do not exceed 100°F). Thoroughly rinse with clean water to remove soap. Allow to air dry completely before storing.

LIMITED WARRANTY

- This limited warranty is extended to the original purchaser and applies to defects in materials and workmanship of your patio furniture, provided your furniture is maintained with care and used only for personal, residential purposes.
- Frames and welds are warranted to be free from defects in material or workmanship for a period of five (5) years.
- Finish is warranted against peeling, cracking or blistering for a period of one (1) year.
- Cushion is warranted to be NO-FADE free from defects in workmanship for a period of five (5) years.

- Exclusions: Items used for commercial, contract or other non-residential purposes; display models; items purchased “as is;” or items damaged due to acts of nature, vandalism, misuse or improper assembly are not covered. Discoloration or fading of the finish or fabrics as a result of exposure to the elements, chemicals or spills; tabletop breakage; corrosion or rusting of hardware; and damages to frames or welds caused by improper assembly, misuse or natural causes are not covered.

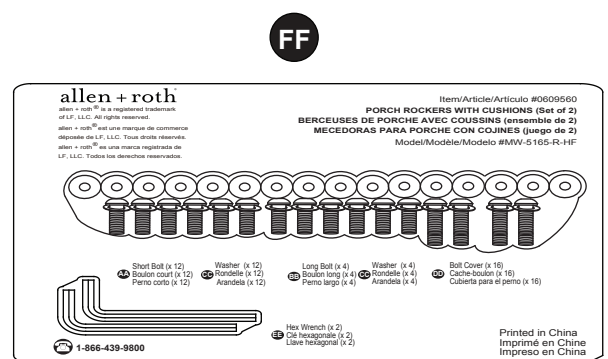
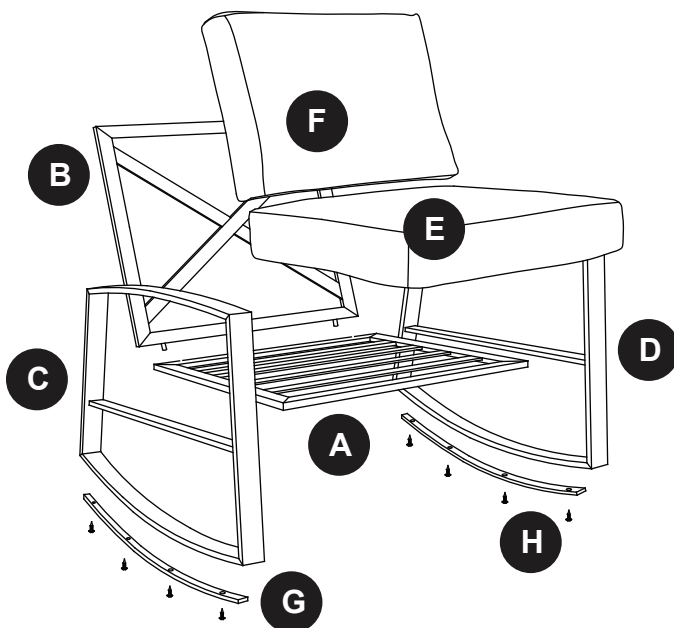
If within the stated warranty period a product is found to be defective in material or workmanship, the purchaser must contact the manufacturer’s customer service department at 1-866-439-9800. The manufacturer, at its option, will repair or replace the defective parts.

Warranty is to the original purchaser and is non-transferable. Any replacement of warranted items will be in the original style and color, or a similar style and color if the original is unavailable or has been discontinued. As some states do not allow exclusions or limitations on an implied warranty, the above exclusions and limitations may not apply. This warranty gives you specific rights, and you may also have other rights which vary from state to state.

REPLACEMENT PARTS LIST

For replacement parts, call our customer service department at 1-866-439-9800, 8 a.m. – 8 p.m., EST, Monday – Friday.

PART	DESCRIPTION	PART#
A	Seat Frame	MW5165-2108-CS
B	Back Frame	MW5165-2108-CB
C	Right Arm	MW5165-2108-SR
D	Left Arm	MW5165-2108-SL
E	Seat Cushion	MW5165-2108-SC
F	Back Cushion	MW5165-2108-BC
G	Bar	MW5165-2108-46
H	Bolt	MW5165-2108-47
FF	Hardware Kit	MW5165-2108-HW



Printed in China

allen + roth® is a registered trademark of LF, LLC. All rights reserved.