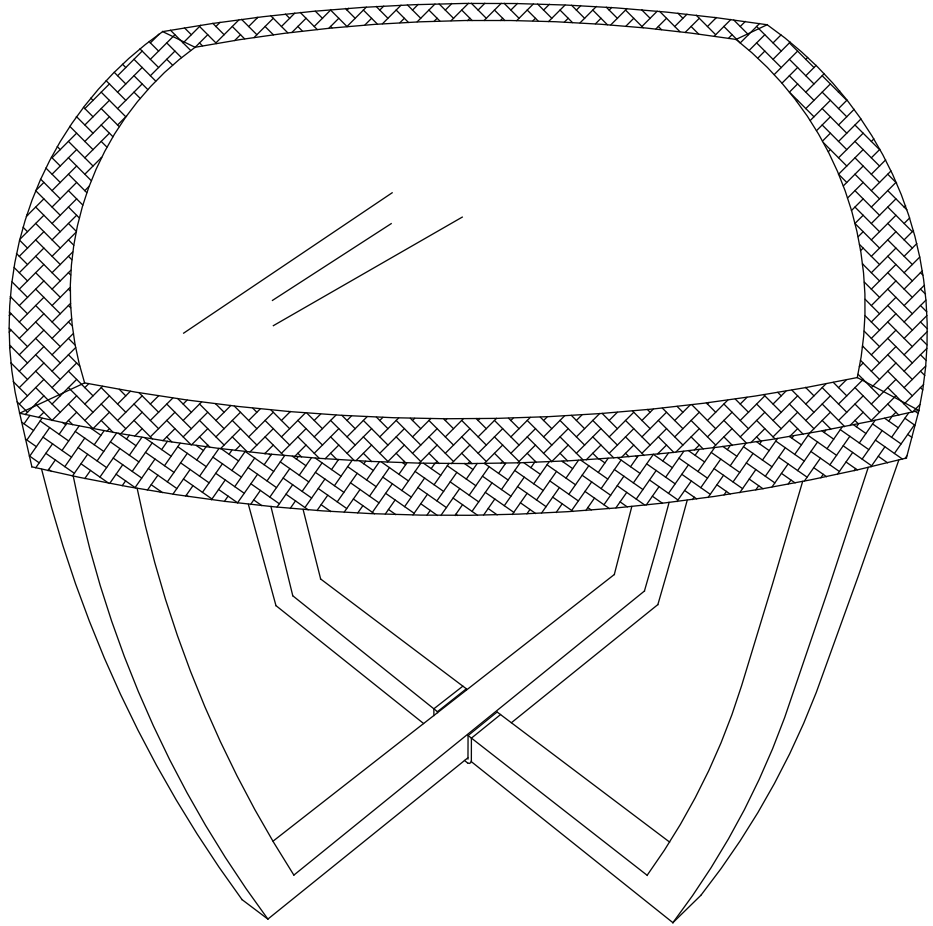


allen + roth®

welcoming • sophisticated • inspiring



allen + roth® is a registered trademark of LF, LLC. All Rights Reserved.

ITEM #0493657/0493658/0609828

## WOVEN SIDE TABLE

MODEL #MW-4207-ET-T/MW-4207-ET-W/MW-4207-ET-B

ATTACH YOUR RECEIPT HERE

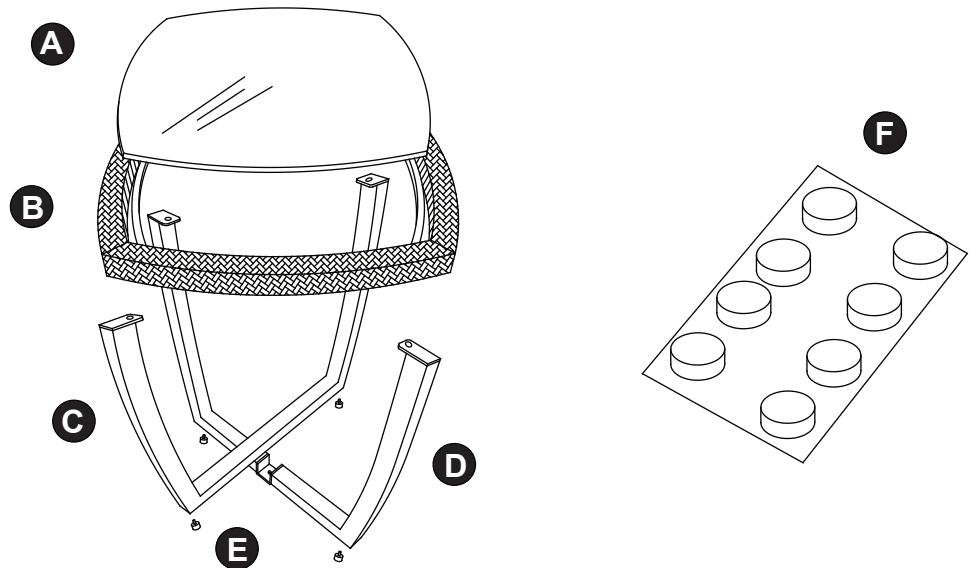
Serial Number \_\_\_\_\_ Purchase Date \_\_\_\_\_

Français p. 6

Español p. 11

**Questions, problems, missing parts?** Before returning to your retailer, call our customer service department at 1-866-439-9800, 8 a.m. – 8 p.m., EST, Monday – Friday.

## PACKAGE CONTENTS



PART	DESCRIPTION	QUANTITY
A	Glass	1
B	Top	1
C	Upper Leg	1
D	Lower Leg	1
E	Foot Glide (preassembled)	4
F	Glass Bumper	1

## HARDWARE CONTENTS (shown actual size)



Bolt

Qty. 4

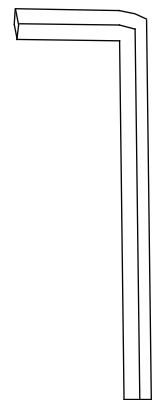
BB



Washer  
(preassembled)

Qty. 4

CC



Hex Wrench

Qty. 1

## SAFETY INFORMATION

Please read and understand this entire manual before attempting to assemble or install the product.

- Paint on this furniture might peel if it is not handled properly. Handle with care.

## PREPARATION

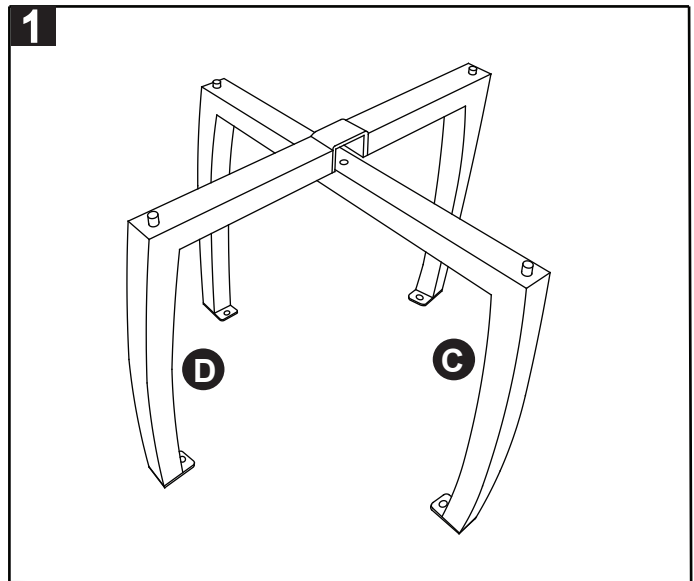
Before beginning assembly of product, make sure all parts are present. Compare parts with package contents list and hardware contents list. If any part is missing or damaged, do not attempt to assemble the product.

**Estimated Assembly Time:** 20 minutes

Tools Required for Assembly (included): Hex Wrench

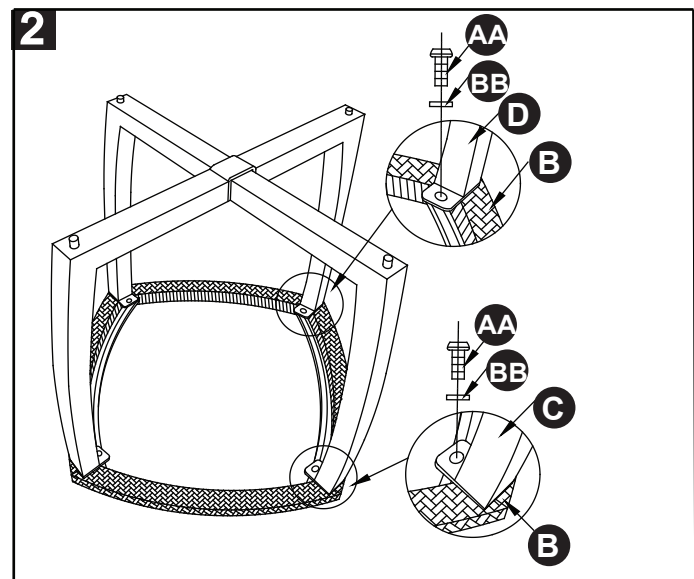
## ASSEMBLY INSTRUCTIONS

1. Place lower leg (D) on top of upper leg (C).



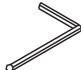


2. Attach leg assembly to top (B) with bolts (AA) and washers (BB).

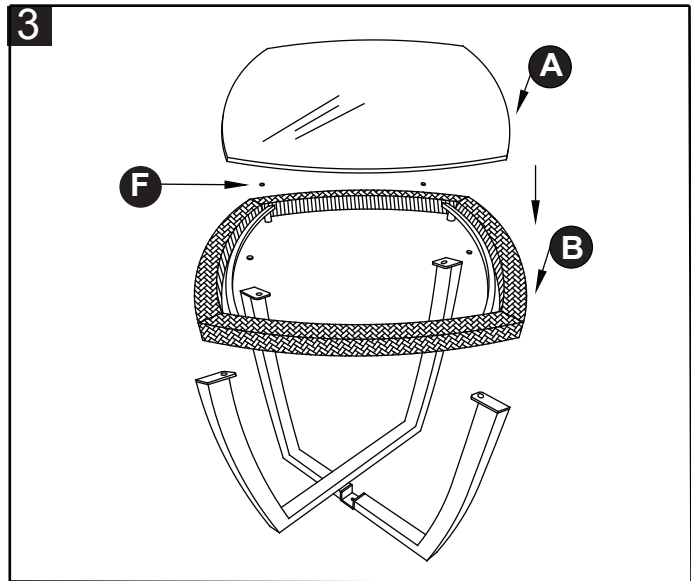
Check alignment of all hardware and make any necessary corrections. Then tighten all bolts with hex wrench (CC).



### Hardware Used

- |                      |   |     |
|----------------------|---|-----|
| <b>AA</b> Bolt       |  | x 4 |
| <b>BB</b> Washer     |  | x 4 |
| <b>CC</b> Hex Wrench |  | x 1 |

3. Flip assembly upright, use the glass bumper (F) to help level the surface, then place the glass (A) into the top (B).



## **CARE AND MAINTENANCE**

---

- Clean frame with a solution of warm water and mild soap. Dry completely. Do not use bleach or solvents. Use a fine automotive wax to maintain gloss on non-textured finishes.
- When using touch-up paint, if covering scratches, rub lightly with fine steel wool to smooth the surface and improve paint adhesion. Apply thin coats of touch-up paint and allow ample drying time between coats.
- The finish on furniture is formulated and baked on to make it highly resistant to repellents and lotions. However, to avoid discoloration, clean the frame as soon as possible after exposure.

## **LIMITED WARRANTY**

---

- This limited warranty is extended to the original purchaser and applies to defects in materials and workmanship of your patio furniture, provided your furniture is maintained with care and used only for personal, residential purposes.
- Frames and welds are warranted to be free from defects in material or workmanship for a period of one (1) year.
- Finish is warranted against peeling, cracking or blistering for a period of one (1) year.
- Glass breakage is not covered.
- Exclusions: Items used for commercial, contract or other non-residential purposes; display models; items purchased "as is;" or items damaged due to acts of nature, vandalism, misuse or improper assembly are not covered. Discoloration or fading of the finish or fabrics as a result of exposure to the elements, chemicals or spills; tabletop breakage; corrosion or rusting of hardware; and damages to frames or welds caused by improper assembly, misuse or natural causes are not covered.

If within the stated warranty period a product is found to be defective in material or workmanship, the purchaser must contact the manufacturer's customer service department at 1-866-439-9800. The manufacturer, at its option, will repair or replace the defective parts.

The warranty is to the original purchaser and is non-transferable. Any replacement of warranted items will be in the original style and color, or a similar style and color if the original is unavailable or has been discontinued. As some states do not allow exclusions or limitations on an implied warranty, the above exclusions and limitations may not apply. This warranty gives you specific rights and you may also have other rights which vary from state to state.

# REPLACEMENT PARTS LIST

For replacement parts, call our customer service department at 1-866-439-9800, 8 a.m. – 8 p.m., EST, Monday – Friday.

PART	PART#		
	#0493657	#0493658	#0609828
A	MW4207-09-44B	MW4207-09-44W	MW4207-09-44T
B	MW4207-09-TRB	MW4207-09-TRW	MW4207-09-TRT
C	MW4207-09-TLUB	MW4207-09-TLUW	MW4207-09-TLUT
D	MW4207-09-TLDB	MW4207-09-TLDW	MW4207-09-TLDT
E	MW4207-09-43B	MW4207-09-43W	MW4207-09-43T
F	MW4207-09-45	MW4207-09-45	MW4207-09-45
DD	MW4207-09-HWB	MW4207-09-HWW	MW4207-09-HWT

