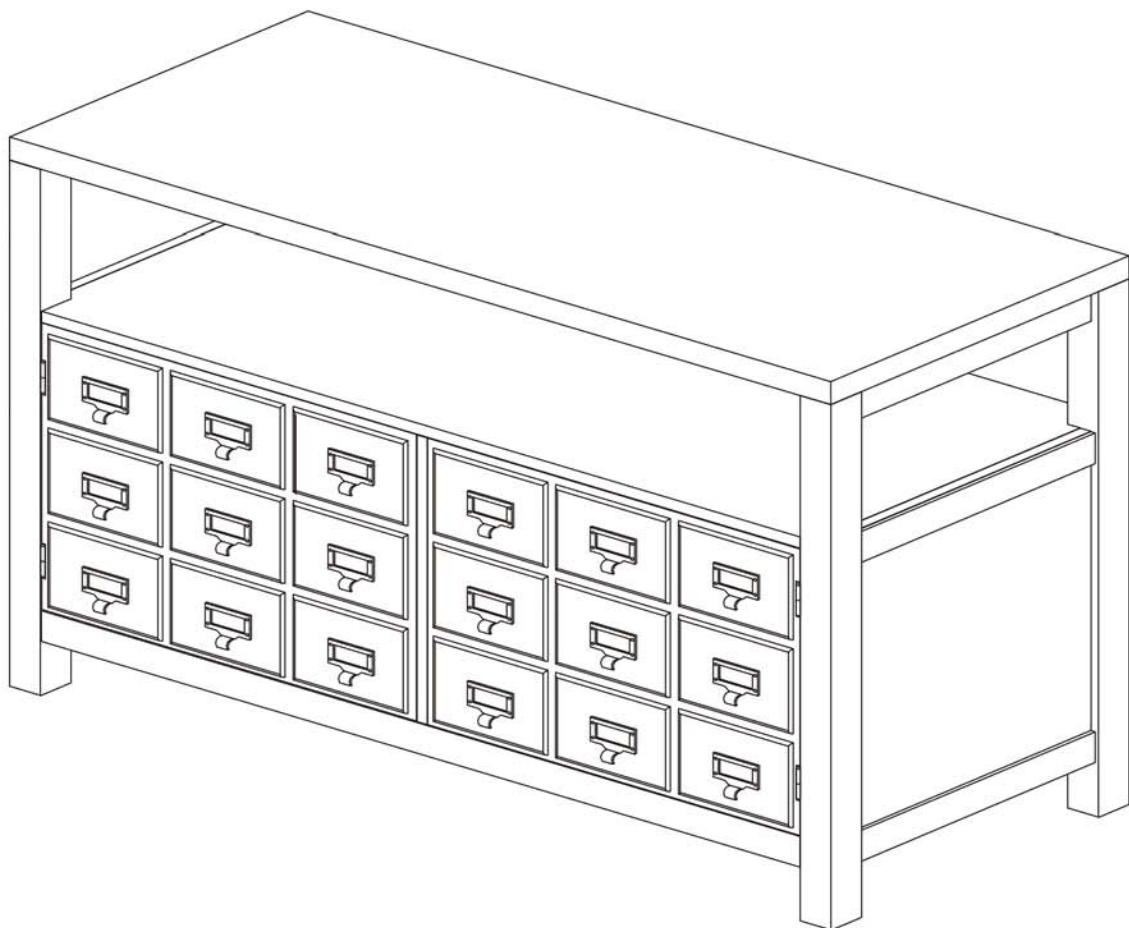


MS988800TX  
Apothecary Double-Door  
TV/Media Stand  
Brown Mahogany Finishing  
Assembly Instructions

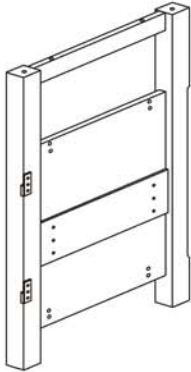
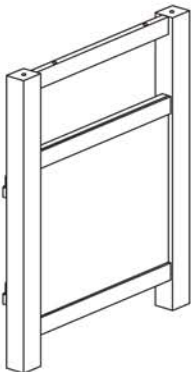
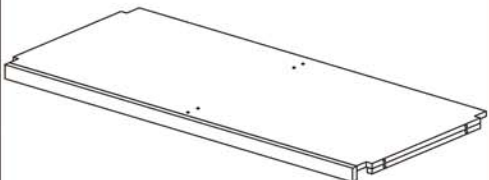
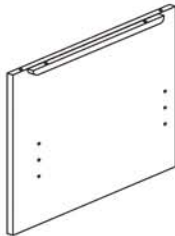
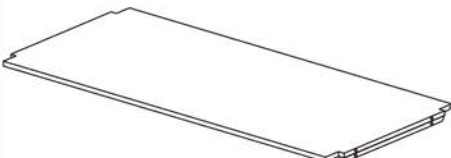
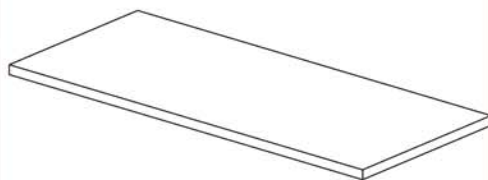

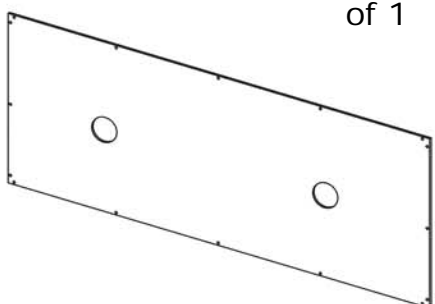


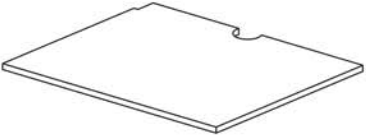
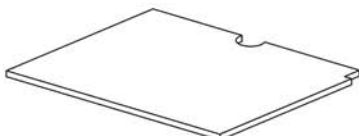


For assistance with assembly contact:  
Southern Enterprises Inc.  
Customer Service 1-800-633-5096  
[service@seidal.com](mailto:service@seidal.com)  
[www.seidal.com](http://www.seidal.com)




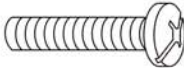

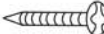
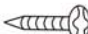



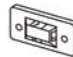


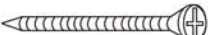

# Apothecary Double-Door TV/Media Stand Parts List

Please review all parts and hardware before disposing of any packaging.  
 Call Customer Service if missing hardware. Do not return to store/retailer.  
 Hardware shown actual size. Using hardware that is too long will cause damage.  
 Before beginning assembly, separate each type of hardware. Carefully study the hardware diagrams below (SHOWN ACTUAL SIZE). You may receive extra hardware with your unit

<p>A</p>  <p>Quantity of 1</p> <p>Left Side Panel</p>	<p>B</p>  <p>Quantity of 1</p> <p>Right Side Panel</p>	<p>C</p>  <p>Quantity of 1</p> <p>Bottom Panel</p>
<p>D</p>  <p>Quantity of 1</p> <p>Vertical Panel</p>	<p>E</p>  <p>Quantity of 1</p> <p>Horizontal Panel</p>	<p>F</p>  <p>Quantity of 1</p> <p>Top Panel</p>
<p>G</p>  <p>Quantity of 1</p> <p>Support Foot</p>	<p>H</p>  <p>Quantity of 1</p> <p>Back Panel</p>	<p>I</p>  <p>Quantity of 1</p> <p>Left Door</p>
<p>J</p>  <p>Quantity of 1</p> <p>Right Door</p>	<p>K</p>  <p>Quantity of 1</p> <p>Left Adjustable Shelf</p>	<p>L</p>  <p>Quantity of 1</p> <p>Right Adjustable Shelf</p>

# Apothecary Double-Door TV/Media Stand Parts List

Please review all parts and hardware before disposing of any packaging.  
 Call Customer Service if missing hardware. Do not return to store/retailer.  
 Hardware shown actual size. Using hardware that is too long will cause damage.  
 Before beginning assembly, separate each type of hardware. Carefully study the hardware diagrams below (SHOWN ACTUAL SIZE). You may receive extra hardware with your unit

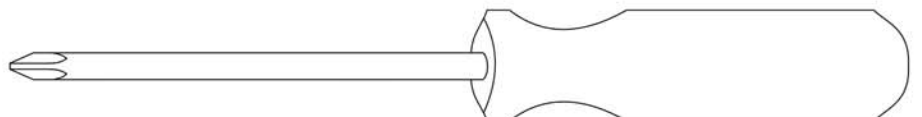
(1)  Quantity of 16 8mm x 30 mm Wood Dowel	(2)  Quantity of 18 1/4" x 1" Bolt	(3)  Quantity of 2 Magnet
(4)  Quantity of 4 3.5mm x 15 mm Screw For Magnet	(5)  Quantity of 16 3.5mm x 12 mm Screw For Back	(6)  Quantity of 18 Metal Handle
(7)  Quantity of 72 2.5mm x 10 mm Screw For Metal Handle	(8)  Quantity of 8 Metal Pin	(9)  Quantity of 4 Bracket
(10)  Quantity of 4 3.5mm x 15 mm Screw For Bracket	(11)  Quantity of 4 Plastic Anchor	(12)  Quantity of 4 7mm x 38mm Screw For Wall
(13)  Quantity of 2 Plastic Chain		

### Care and Cleaning Instructions:

Before using, wipe with a clean, dry cloth. Periodically apply furniture wax to renew the finish. Avoid rubbing or scratching the surface with rough or abrasive objects.

For replacement parts or questions, please call Customer Service at 1-800-633-5096. Do not return product to store. Please call manufacturer for assistance, questions or parts.

Assembly Tool Required  
 No. 2 Phillips Screwdriver  
 (Not Included)



# Apothecary Double-Door TV/Media Stand Assembly Instructions

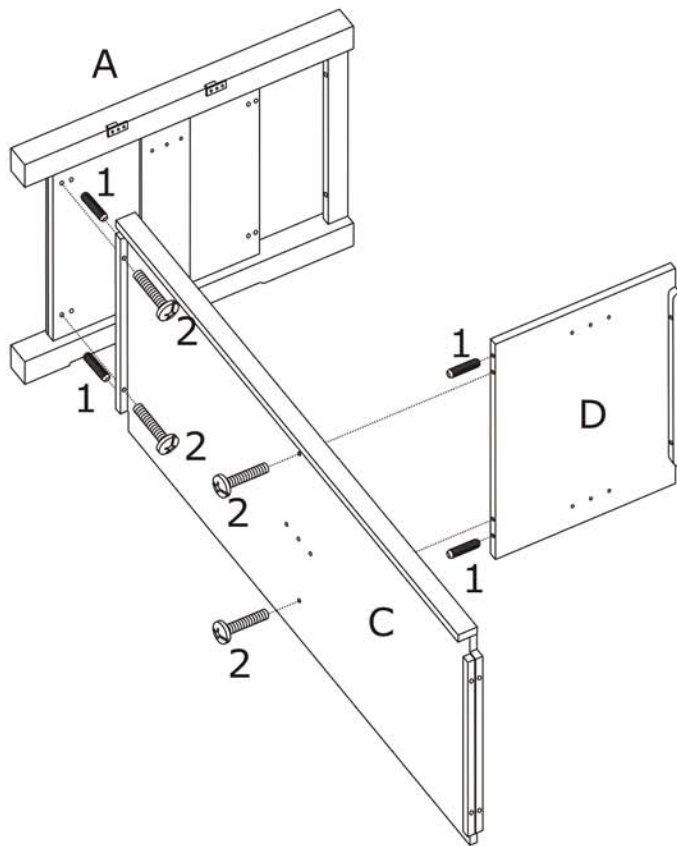


Figure 1

## Assembly Instructions:

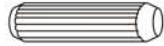
Wood may scratch easily. Be careful when assembling. Do not scratch.

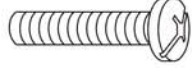
Step 1. Unpack and lay parts on clean, padded surface like carpet or blanket. Check that you have all parts indicated on the front page.

Step 2. Put the Bottom Panel(C) on the soft working surface.

Step 3. Insert the Wood Dowels(1) into predrilled holes in Bottom panel(C) and Vertical Panel(D).

Step 4. Attach the Left Side Panel(A) to the Bottom Panel(C) with Bolt(2), then attach the Vertical Panel(D) to Bottom Panel(C) with Bolt(2), then fasten them.

(1)		Quantity of 4
	8mm x 30 mm Wood Dowel	

(2)		Quantity of 4
	1/4" x 1" Bolt	

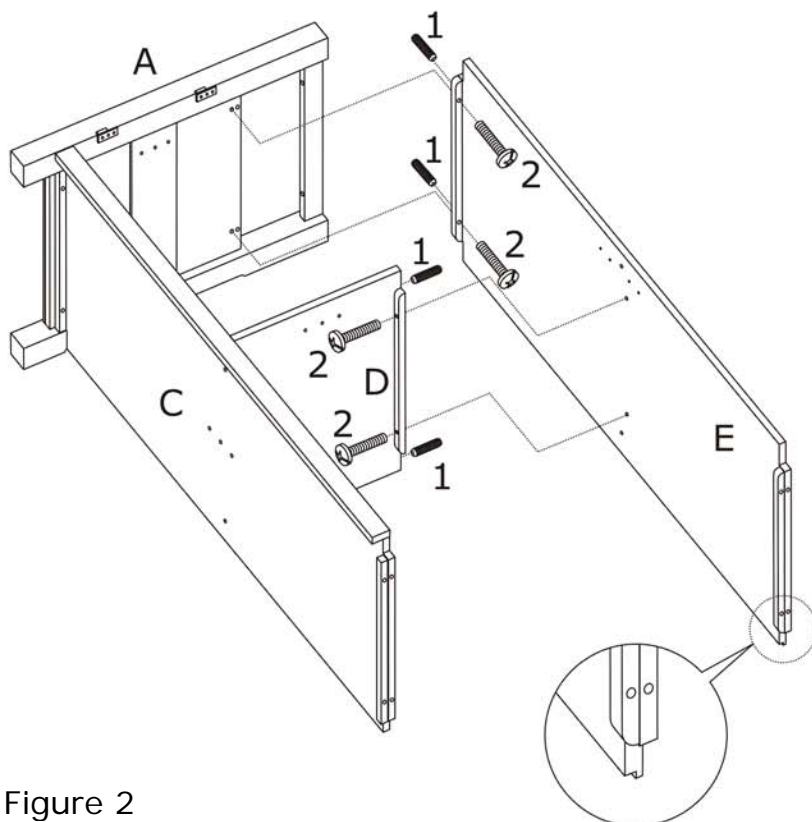




Figure 2

Step 1. Insert the Wood Dowels(1) into predrilled holes in Horizontal Panel(E) and Vertical Panel(D).

Step 2. Attach the Horizontal Panel(E) to the Left Side Panel(B) and Vertical Panel(D) with Bolt(2), then fasten them.

(1)		Quantity of 4
	8mm x 30 mm Wood Dowel	

(2)		Quantity of 4
	1/4" x 1" Bolt	

# Apothecary Double-Door TV/Media Stand Assembly Instructions

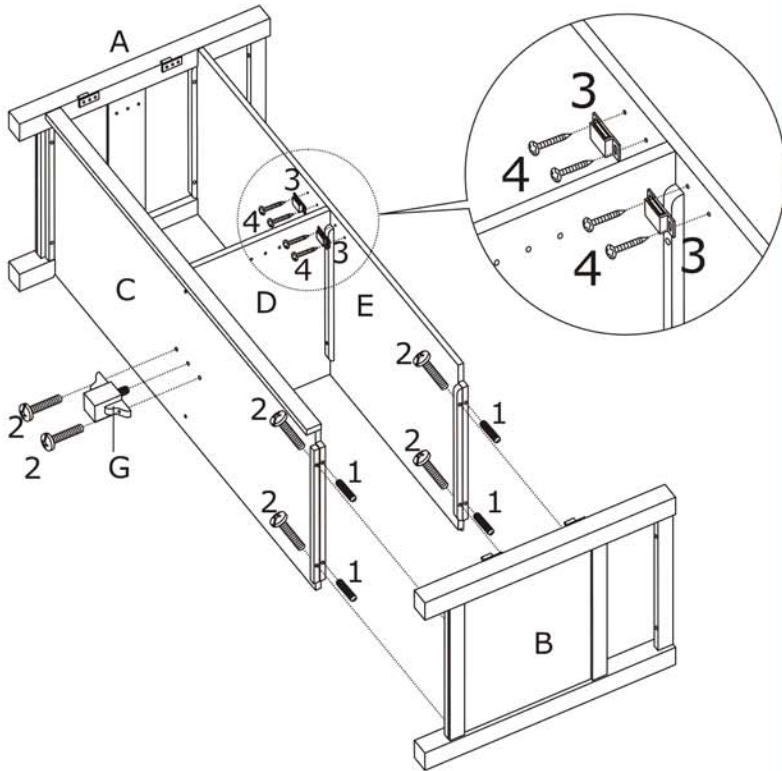

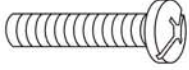



Figure 3

- Step 1. Insert the Wood Dowels(1) into predrilled holes in Horizontal Panel(E) and Bottom Panel(C).
- Step 2. Attach the Right Side Panel(B) to the Horizontal Panel(A) and Bottom Panel(C)with Bolt(2)
- Step 3. Attach the Support Foot(G) to the Bottom Panel(C) with Bolt(2),
- Step 4. Attach the Magnet(3) to the Horizontal Panel(E) with Screw For Magnet(4), then fasten them.

(1)		Quantity of 4
	8mm x 30 mm Wood Dowel	

(2)		Quantity of 6
	1/4" x 1" Bolt	

(3)		Quantity of 2
	Magnet	

(4)		Quantity of 4
	3.5mm x 15mm Screw For Magnet	

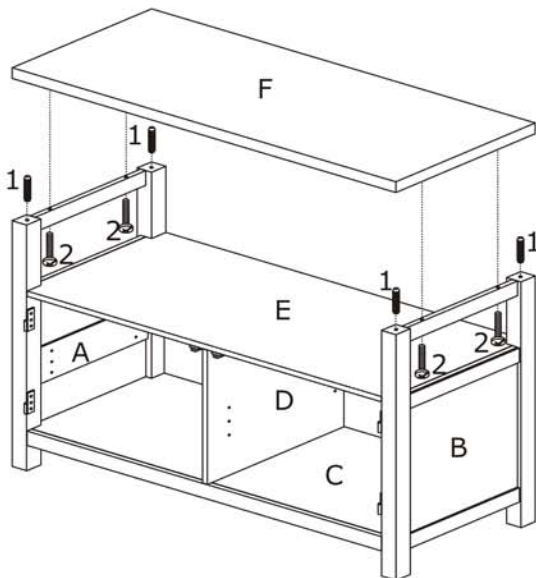

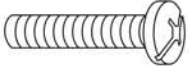


Figure 4

- Step 1. Insert the Wood Dowels(1) into predrilled holes in Side Panel(A,B).
- Step 2. Attach the Top Panel(F) to the Side Panel(A,B) with Bolt(2), then fasten them.

(1)		Quantity of 4
	8mm x 30 mm Wood Dowel	

(2)		Quantity of 4
	1/4" x 1" Bolt	

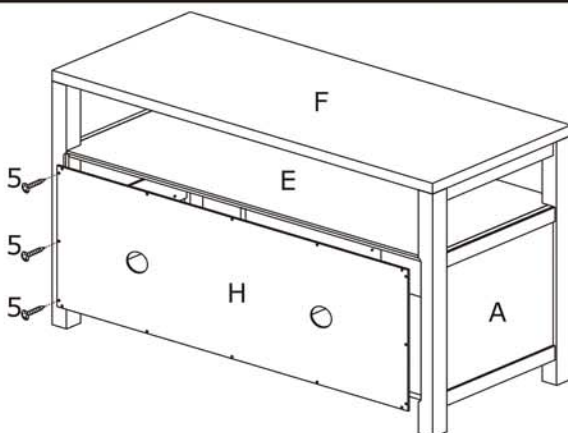


Figure 5

- Step 1. Attach the Back Panel(H) to the Side Panel(A,B), Horizontal Panel(E) and Bottom Panel(H) with Screw For Back(5), then fasten them.

(5)		Quantity of 16
	3.5mm x 12mm Screw For Back	

# Apothecary Double-Door TV/Media Stand Assembly Instructions

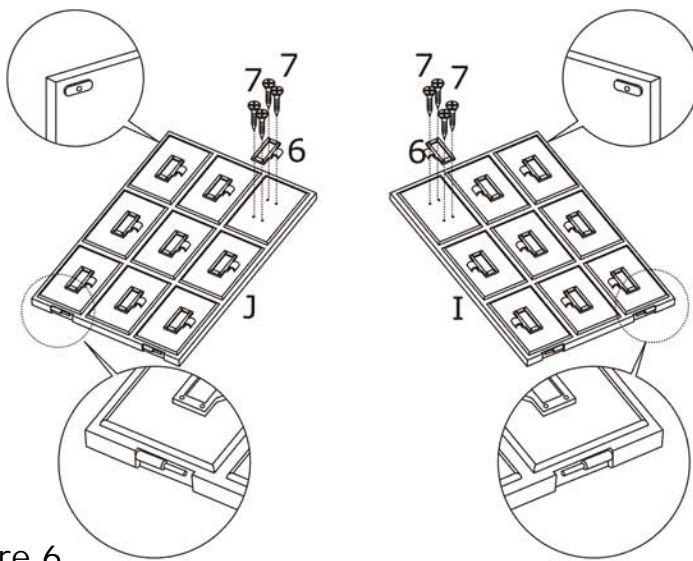


Figure 6

Step 1. Put the Doors (H,I) on the soft working surface.

Step 2. Attach Metal Handle(6) to Top Door(H,I) with Screw for Metal Handle(7).

(6)		Quantity of 18
Metal Handle		

(7)		Quantity of 72
2.5mm x 10 mm Screw For Metal Handle		

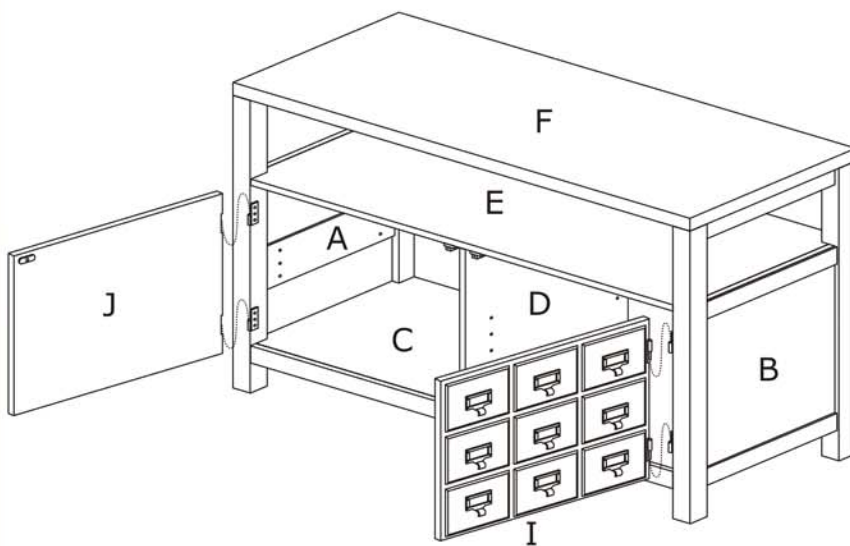


Figure 7

Step 1. Attach Left Door(J) to Left Side Panel(A) .

Step 2. Attach Right Door(I) to Right Side Panel(B)

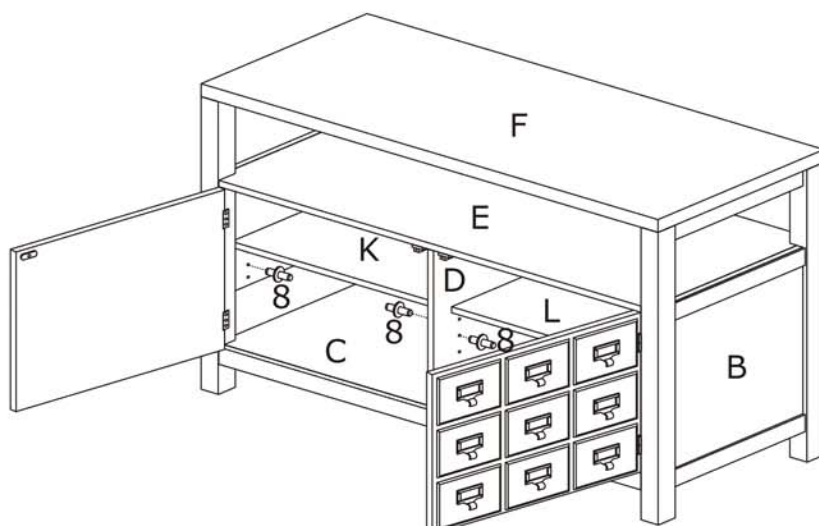


Figure 8

Step 1. Insert the metal Pin(8) into desirous holes of inner Side Panels(A,B) and Vertical Panel(D).

Step 2. Put the Adjustable Shelf(K,L) on the Metal Pins(8) in each section.

(8)		Quantity of 8
Metal Pin		

# Apothecary Double-Door TV/Media Stand Assembly Instructions

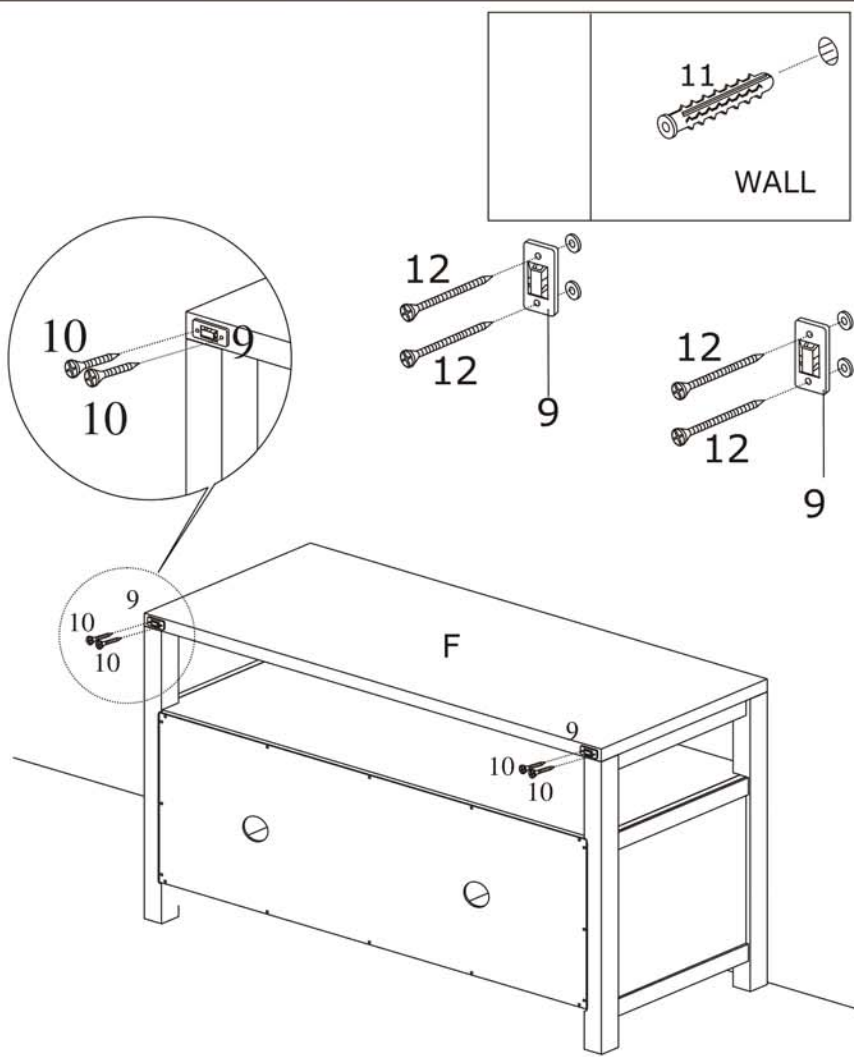
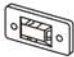


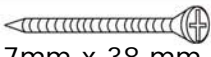


Figure 9

Step 1. Attach Bracket(9) to the Top Panel(F) with Screw For Bracket(10).

Step 2. Drill 1/4 pilot holes in near proximity of the Bracket(9) attached to the Top Panel(F) and tap the Plastic Anchor(11) into wall.

Step 3. Fasten Bracket(9) using Screw For Wall(12) into the Plastic Anchor(11).

(9)	 Bracket	Quantity of 4
(10)	 3.5mm x 15 mm Screw For Bracket	Quantity of 4
(11)	 Plastic Anchor	Quantity of 4
(12)	 7mm x 38 mm Screw For Wall	Quantity of 4

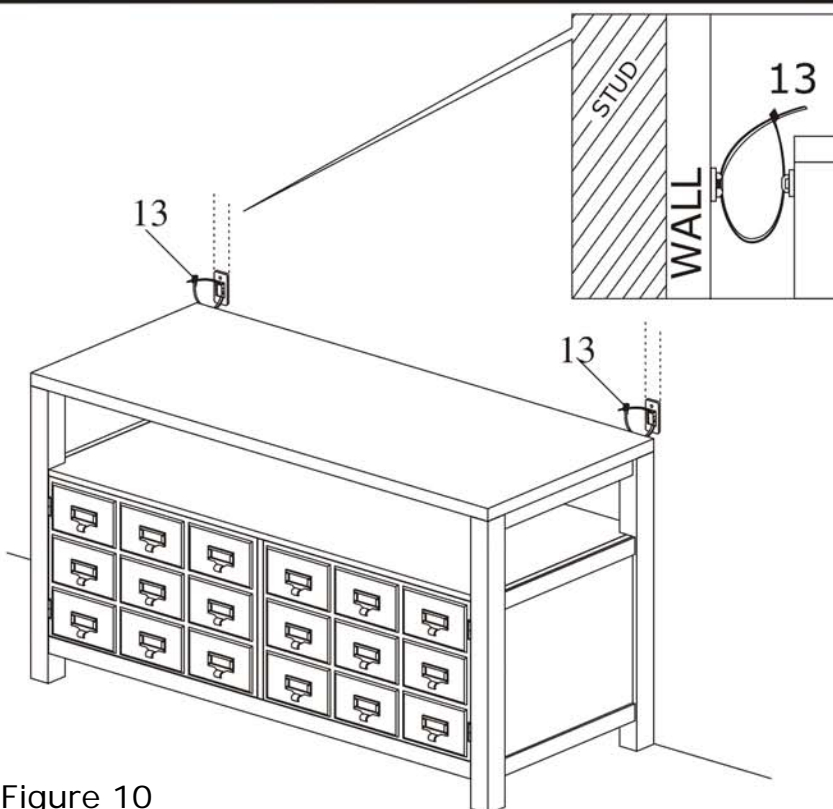


Figure 10

Step 1. Move this item to the fastened wall Bracket(9) and tie in both Bracket(9) with Plastic Chain(13) as shown in diagram.

(13)	 Plastic Chain	Quantity of 2
------	--	---------------



Customer Service 1-800-633-5096  
[service@seidal.com](mailto:service@seidal.com)  
Southern Enterprises, Inc.  
2915 Merrell Road  
Dallas, Texas 75229

## MS988800TX Parts Replacement Form

### Customer Information

Name \_\_\_\_\_

Address \_\_\_\_\_

City/State/Zip Code \_\_\_\_\_

Phone Number \_\_\_\_\_

Please indicate where you purchased this item: Store/Website/Catalog

Please indicate color/size/style number:

\_\_\_\_\_

\_\_\_\_\_

Style No	Parts Letter	Parts Description	Quantity Needed

Missing or damaged hardware and/or parts will be replaced free of charge. We do not sell parts. Southern Enterprises Inc. Will provide replacement parts for only those items purchased within the last 9 months. If this product has not been purchased from our retail affiliates (within 9 months), we are under no obligation to provide parts or replacement merchandise. Parts will not be available for items arriving fully assembled. Parts will be sent if available from SEI.

**We'd love to hear from you! Email us photos of our products in your home at [sei@seidal.com](mailto:sei@seidal.com) and we might feature it on our site or use it to model one of our inspirational photos.**



 **CAUTION**

The top shelf of this cabinet is intended for plasma/LCD televisions having a maximum screen size of 40" and weight of 175 lb.

The top shelf is NOT INTENDED for tube televisions.

Each center shelf should not be loaded with more than 20 lb. Each side shelf should not be loaded with more than 15 lb.

**DO NOT EXCEED RECOMMENDED LOAD.** Use with products heavier than the maximum sizes and weights indicated may result in instability causing possible injury.

This unit contains a permanent warning sticker located on under side of top shelf or inside drawer.

Do not allow children under 16 years to move the cart.

Model: MS988800TX  
Apothecary Dbl-Door TV/Media Stand  
Southern Enterprises, Inc  
1970 Crown Drive  
Manufacture Date: 04/23/2009