

Troubleshooting:

If the solar light does not work at dusk after a full day charge, please try the following steps:

1. Make sure the solar panel is not being affected by any other light source.
The built-in sensor will activate the light only when the surrounding is dark.
2. Make sure the solar light is not positioned in the shade during the day.
3. Make sure the switch is in "ON" mode.
4. Check the batteries are correctly installed and in good condition.

Better lighting contact information:

World Wide head office:

Betterlighting Germany GmbH
Verkaufsbüro: Hansaring 7
63843 Niedernberg
Germany
Tel.: 49-6028-977 80-00
Fax: 49-6028-977 80-09
E-mail: info@betterlighting.de

North America head office:

Betterlighting USA, Inc.
1811 NE 146th ST
North Miami - FL 33181
USA
Tel: +1 305 894 6588
Fax: +1 702 926 1343
E-mail: info-US@betterlighting.de

Asia Pacific head office:

Betterlighting Australia Pty Ltd
Unit8/133-139 Beauchamp Road
Matraville, Sydney
New South Wales 2036
Australia
Tel: +61 0419 888 668
Fax: +61 02 9666 8881
E-mail: info-AU@betterlighting.de

Installation Manual

Model:BT1005 SO SOLAR
PRO DESIGN SOLAR - POST LIGHT






IP44 CE 

09/2011

www.betterlighting.de

■ User manual for BTR Solar light

- Please read this manual carefully before using your product for the first time.
- Should you find the light diffuser broken, it is probably caused by occasional damages during transportation, please contact the seller/distributor for replacement.
- Please keep this manual in good condition, as you might need it for the battery replacement in future.

PARTS LISTING			
Inclusive of Part Number	Description	Qty	Picture
#1	Light	1 PC	
#2	Screw	2 PCS	
#3	Plastic expansion	2 PCS	

Specification:

Solar panel: 3.84 V, 160 mA

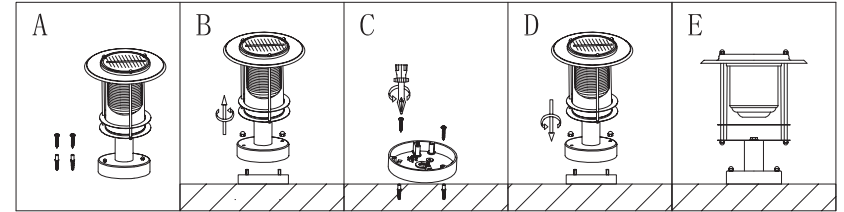
6 LEDs X 0.06W

2 Built batteries: 1600mAh 1.2V, AA

Suitable Places: Wooden fence, garden

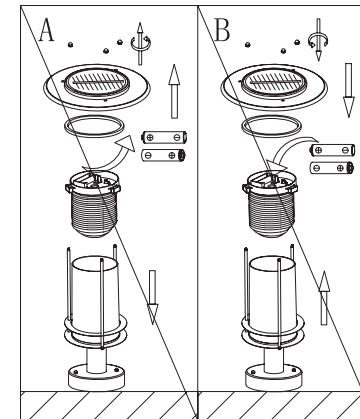
Assembly and Placement:

- Step 1: Carefully remove all the parts from the box.
- Step 2: Assemble all the parts by following the image listed below.
- Step 3: Place the light on the ground as shown in the image and turn the ON/OFF switch to "ON" mode, make sure the solar light is placed in a position where sunlight will reflect on the solar panel free from cover and shade.
- Step 4: Make sure the solar panel is not going to be illuminated by any other light sources; otherwise the light will not be able to switch ON at dusk.



Care and Maintenance:

Clean the solar module regularly with a damp towel to guarantee optimum performance of the solar panel. Do not use any type of solvent for cleaning and be careful not to put too much pressure on the module while cleaning.



Please note that the built-in rechargeable batteries need to be replaced after several years (depending on the climate conditions of your area). To do the replacement, please follow the image above.