

# ASSEMBLY AND INSTALLATION INSTRUCTIONS

C0048

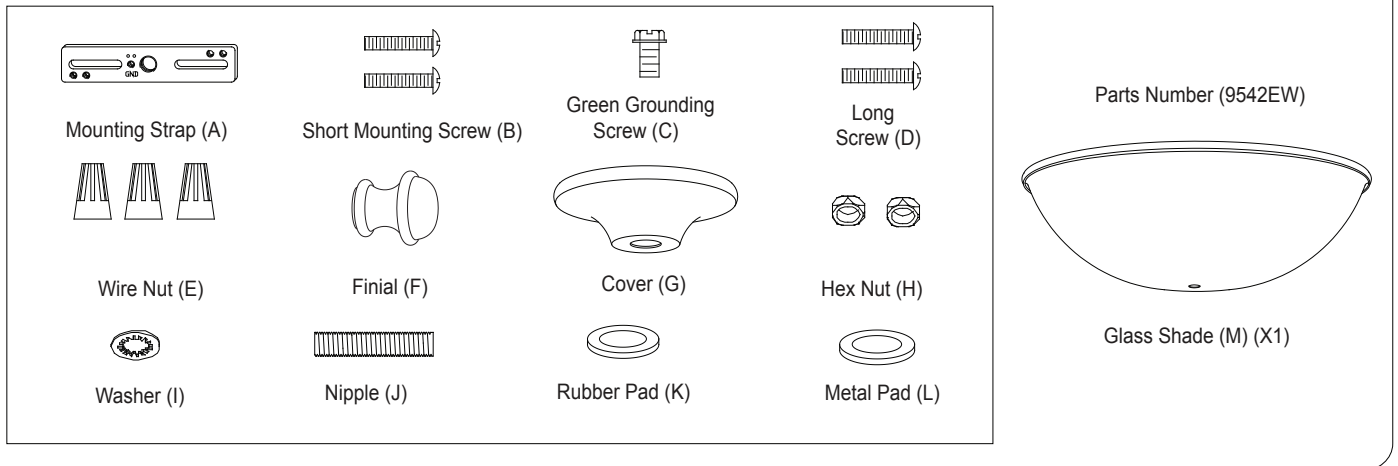
**WARNING: BE SURE TO SHUT OFF POWER AT THE MAIN FUSE OR CIRCUIT BREAKER BOX BEFORE INSTALLING OR SERVICING THIS FIXTURE.**

**NOTE: 1. Before installing, consult local electrical codes for wiring and grounding requirements. 2. READ AND SAVE THESE INSTRUCTIONS.**

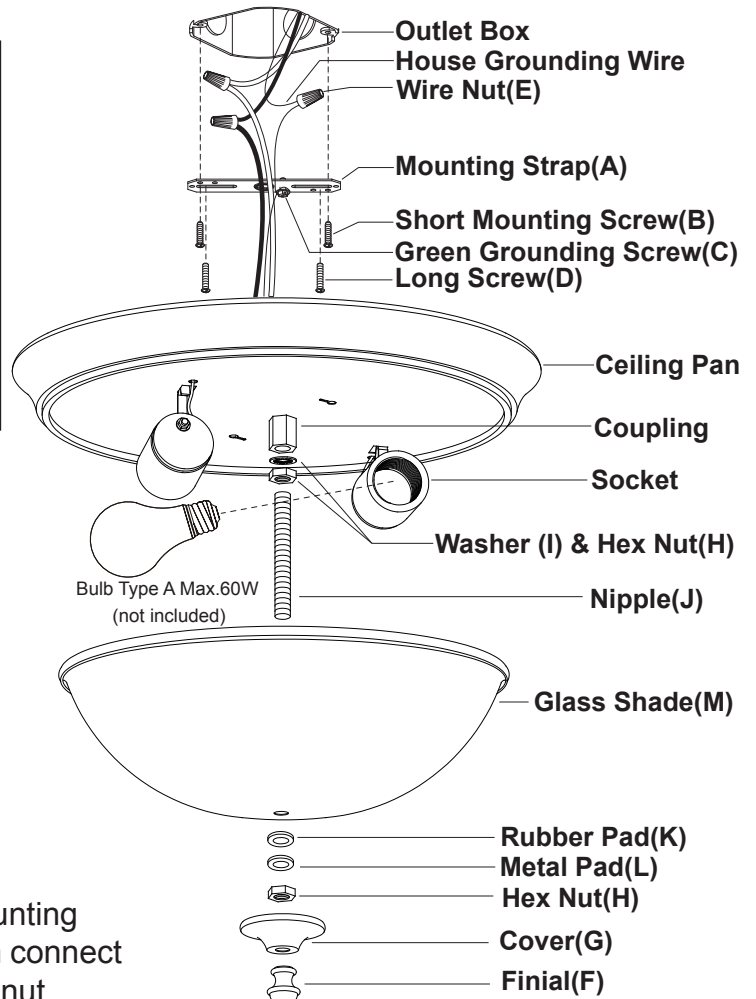
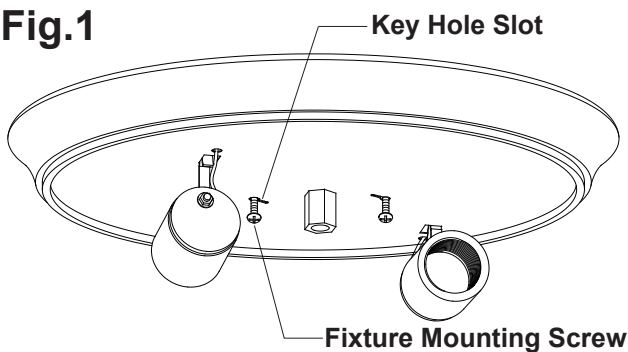
## Parts:

Parts Number (4900MM)

Parts Number (9542EW)

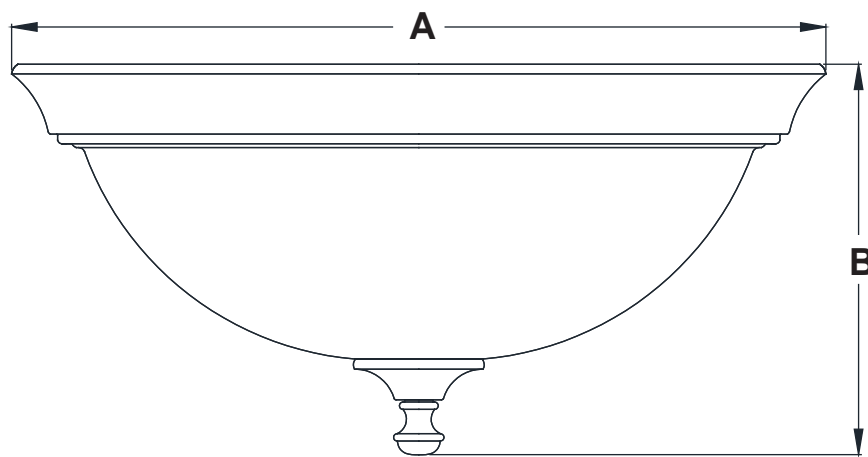


**Fig.1**



1. Attach the two long screws to the holes on the mounting strap, and screw in 2 to 3 turns.
2. Attach the mounting strap to the outlet box using two short mounting screws.
3. Pull out the outlet wires and the house grounding wire from the outlet box. Make wire connections using the wire nuts:
  - The black wire from the fixture to the black wire from the power source.
  - The white wire from the fixture to the white wire from the power source.
  - Attach the fixture grounding wire to the mounting strap with the green grounding screw. Then connect it to the house grounding wire with the wire nut. Carefully put the wires back into the outlet box.

4. Attach the ceiling pan to the mounting strap by inserting two long screw heads into the key holes, and rotate the pan until it locks in place. Then secure the screws tightly. (See Fig.1)
5. Screw the nipple into the coupling, then secure it with a washer and hex nut.
6. Install bulbs (not included). See relamping label at socket area or packaging for maximum allowed wattage.
7. Attach the glass shade to the pan by inserting the nipple, then secure it with a rubber pad, metal pad and hex nut.
8. Slip the cover up through the nipple, secure it with a finial.
9. Turn on the power at the main fuse or circuit breaker box.



**A: 13"**

**B: 6-1/2"**