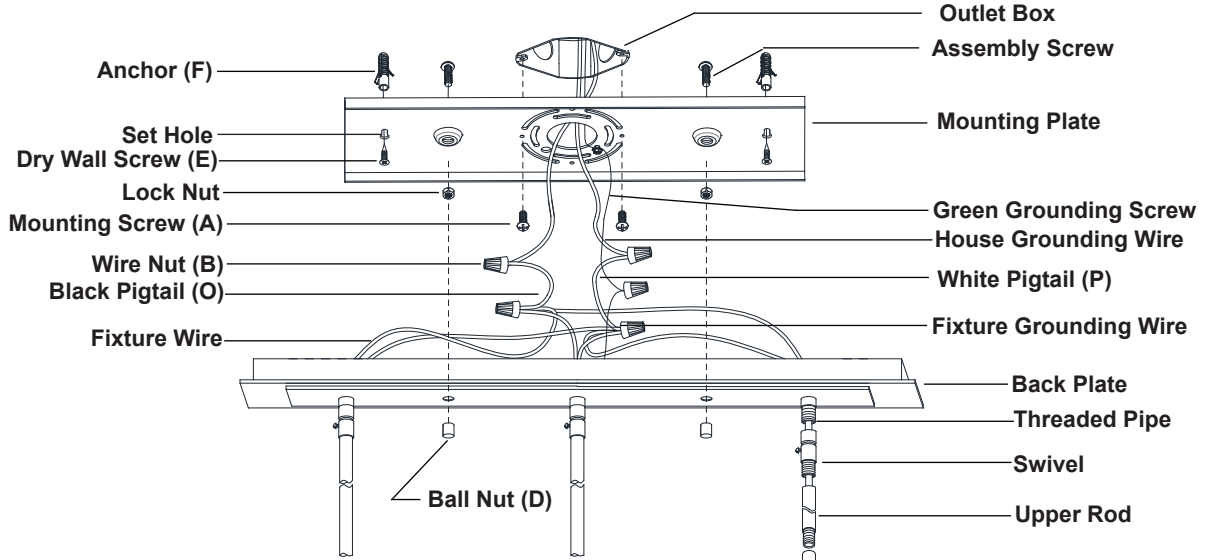


ASSEMBLY AND INSTALLATION INSTRUCTIONS

P0066

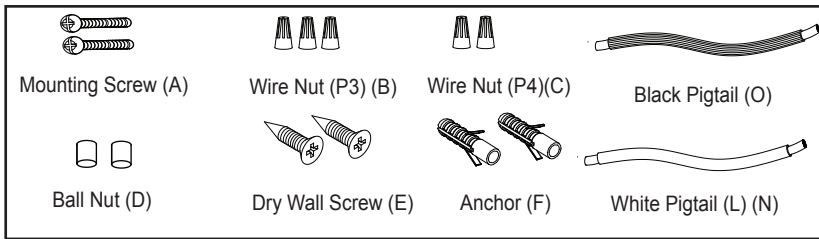
WARNING: BE SURE TO SHUT OFF POWER AT THE MAIN FUSE OR CIRCUIT BREAKER BOX BEFORE INSTALLING OR SERVICING THIS FIXTURE.

**NOTE: 1. Before installing, consult local electrical codes for wiring and grounding requirements.
2. READ AND SAVE THESE INSTRUCTIONS.**



Parts:

Parts Number (4782 MM)



Parts Number (4788RR)



12"Rod (X12)(G)

Parts Number (4786RR)



6"Rod (H) (X3)

Parts Number (4787RR)



3"Rod (I) (X3)

Parts Number (4790SS)



Set Screw-1 (X9)(J)

Parts Number (4789SS)



Set Screw-2 (X9)(K)

Parts Number (9462CW)

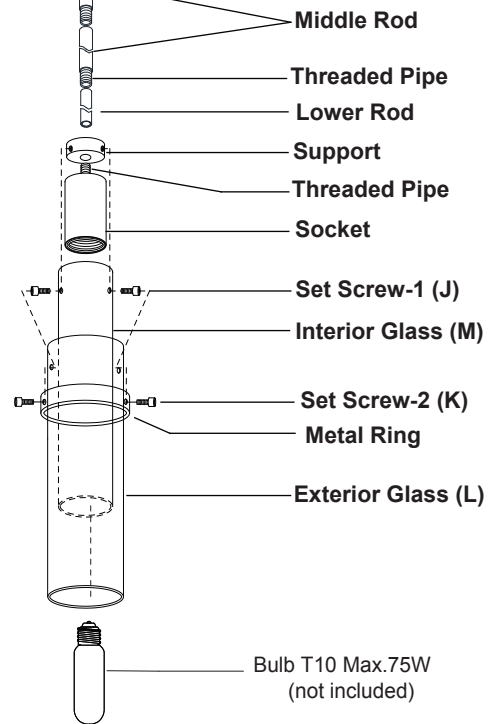


Exterior Glass (L) (X3)

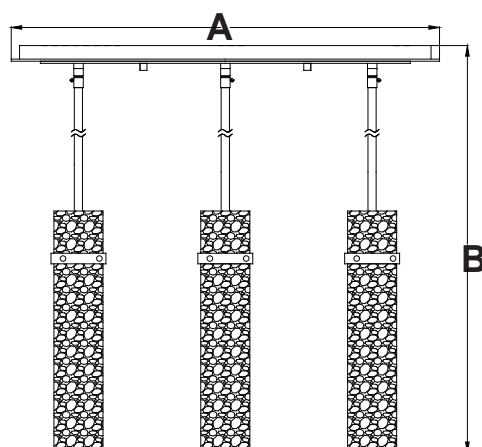
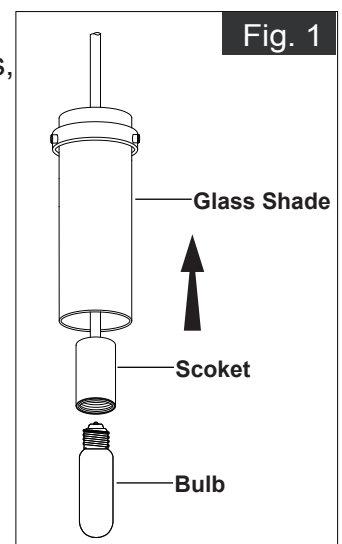
Parts Number (9463FO)



Interior Glass (M) (X3)



1. Rod Connections:
 - a. Thread the fixture wire from the socket through the support and lower rods, then secure the lower rod onto socket using the threaded pipe.
 - b. Thread the fixture wire through the threaded pipe and middle rod, and then secure the middle rod onto the lower rod using the threaded pipe.
 - c. Thread the fixture wire through the threaded pipe and upper rod, and then secure the upper rod onto the middle rod using the threaded pipe. The height can be adjustable to 19-1/4"~70-1/4", by using the rods.
2. Unsecure the ball nuts, carefully remove mounting plate from back plate.
3. Thread the fixture wire through the swivel and secure the swivel onto the upper rod.
4. Thread the fixture wire through the back plate, then secure the rod assembly to the threaded pipe of the back plate.
5. Attach the mounting plate to the wall.
 - a) If the wall material is wood:
Attach the mounting plate to the outlet box by using two mounting screws, then secure the dry wall screws through the set holes to the wall.
 - b) If the wall material is cement:
Place the mounting plate to the outlet box and mark the target on the wall from the set hole for drilling two holes. Remove the mounting plate. Drill the holes and thread the anchors into the holes, then attach the mounting plate to the outlet box by using two mounting screws. Secure the dry wall screws through the set holes into the anchors.
6. Pull out the outlet wires and the house grounding wire from the outlet box. Make wire connections by using the wire nuts:
 - Take a black pigtail to black wires from the fixture.
 - Take a white pigtail to white wires from the fixture.
 - The black pigtail to the black (hot) wires from power source.
 - The white pigtail to the white (neutral) wires from power source.
 - Attach the fixture grounding wire to the mounting plate with the green grounding screw. Then connect it to the house grounding wire with the wire nut.
 Carefully put the wires back into the outlet box.
7. Attach the back plate to the mounting plate by inserting the assembly screws, then secure it with two ball nuts.
8. Hold the socket into the interior glass shade, thread the three set screws-1 through each holes of interior glass shades, and then secure them into the support.
9. Place the interior glass shade into the center of exterior glass shade and metal ring, then thread the three set screws-2 through each holes of metal ring and exterior glass shades, secure them into the set screws-1.
10. Pushing up the glass shade, make the socket to show outside the glass shade. Install bulbs (not included). See relamping label at socket area or packaging for maximum allowed wattage. (See Fig. 1)
11. Turn on the power at the main fuse or circuit breaker box.



A: 24"

B: 19-1/4" ~ 70-1/4"