

ASSEMBLY AND INSTALLATION INSTRUCTIONS

P0067

WARNING: BE SURE TO SHUT OFF POWER AT THE MAIN FUSE OR CIRCUIT BREAKER BOX BEFORE INSTALLING OR SERVICING THIS FIXTURE.

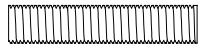
**NOTE: 1. Before installing, consult local electrical codes for wiring and grounding requirements.
2. READ AND SAVE THESE INSTRUCTIONS.**

Parts:

Parts Number (4783MM)



Mounting Strap (A)



Nipple (C)



Wire Nut (P3)(E)



Coupling (G)



Wire Nut (P5)(I)



Anchor (K)



White Pigtail (M)

Parts Number (4786RR)



6\"/>

Parts Number (4790SS)



Set Screw-1 (X12)(Q)

Parts Number (9463FO)



Interior Glass (X4)(T)



Lock Nut (B)



Mounting Screw (D)



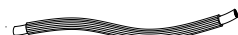
Green Grounding Screw (F)



Collar (H)



Dry Wall Screw (J)



Black Pigtail (L)

Parts Number (4788RR)



12\"/>

Parts Number (4787RR)



3\"/>

Parts Number (4789SS)

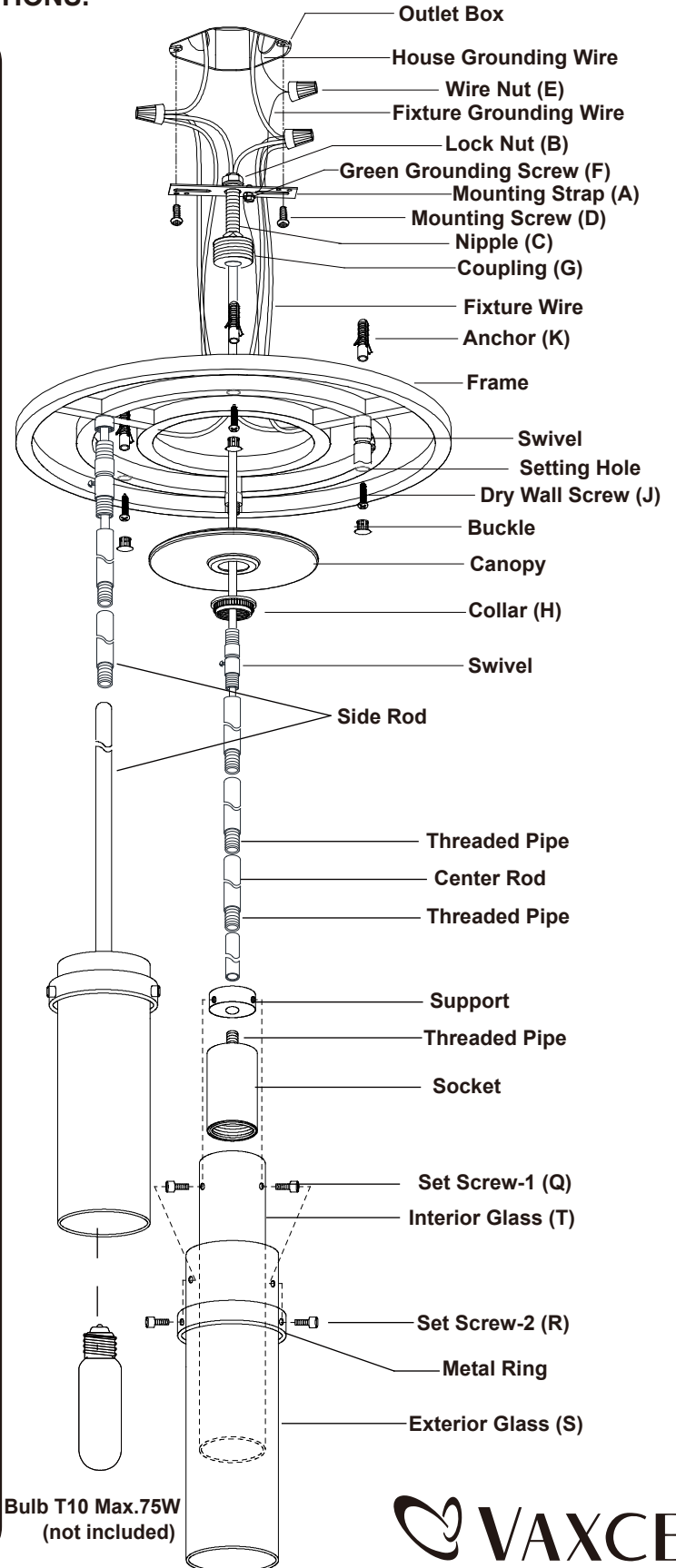


Set Screw-2 (X12)(R)

Parts Number (9462CW)



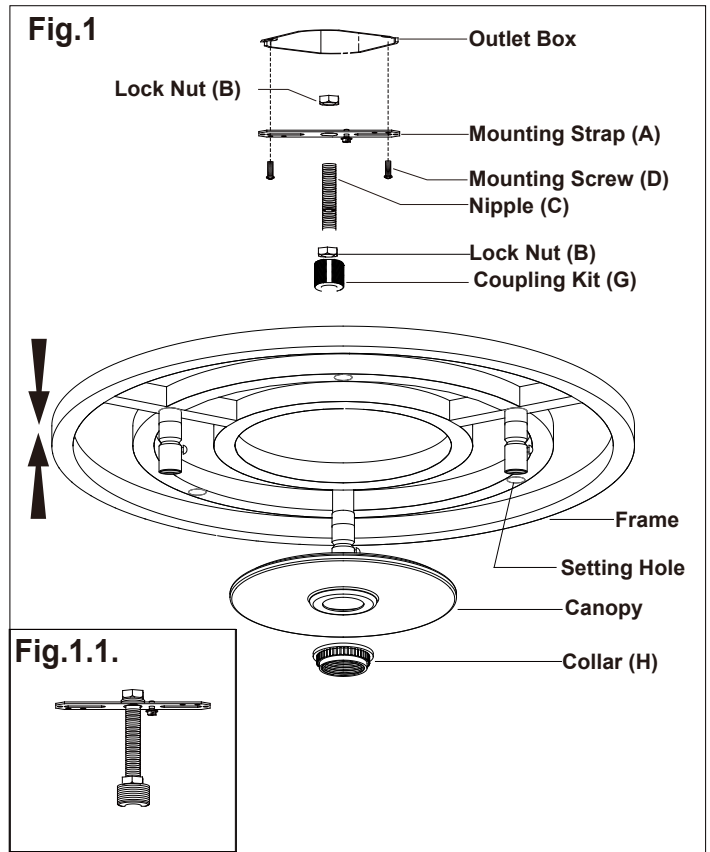
Exterior Glass (X4)(S)



VAXCEL

130618

- Carefully unpack the fixture, lay out the fixture on a clean surface.
 - Install a lock nut onto one end of the nipple leaving about 3/8" (10mm) thread exposed. Install same end of nipple by screwing into coupling, secure nipple by tightening the lock nut. (See Fig. 1)
 - Attach the nipple to the mounting strap, then secure it with a lock nut. (See Fig. 1)
 - Attach the mounting strap to the outlet box by using two mounting screws. (See Fig. 1)
 - Place the frame and canopy over the outlet box, making sure the nipple feeds through them center holes, then secure them with a canopy and collar. Mark the 3 setting holes of the frame on the ceiling, drill three holes at the marked places. (Fig.1)
 - Unscrew the collar and remove the canopy and frame. Unscrew the mounting screws and remove the mounting strap away from the outlet box. (Fig.1)
- Note: Do not separate the mounting strap, lock nuts, nipple and coupling .**
- Take the proper numbers of the rods.



Side Rod connections:

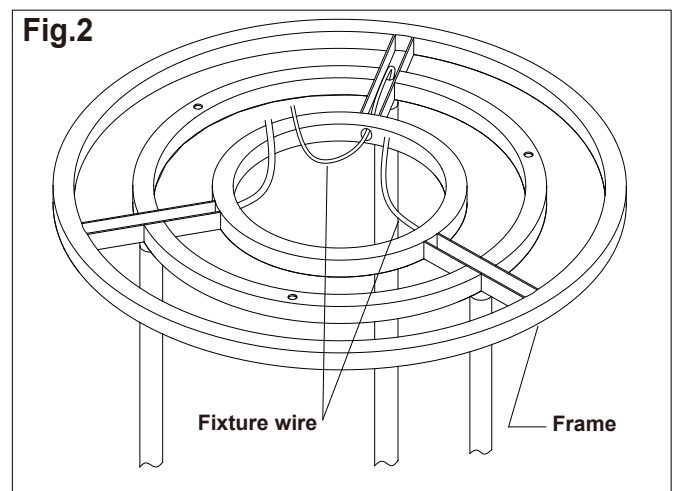
- Thread the fixture wire from the socket through the support and down rod, and secure the down rod to the socket.
- Thread the fixture wire through the threaded pipe and middle rod, and then secure the middle rod onto the lower rod using the threaded pipe.
- Thread the fixture wire through the threaded pipe and upper rod, and then secure the upper rod onto the middle rod using the threaded pipe.
- Thread the fixture wire through the swivel, secure the upper rod to the swivel.
- Thread the fixture wire through the frame as showed Fig. 2, then secure the rod assembly to the frame.
- Complete the same steps for the other side rods.

*** The height can be adjustable by adding or reducing one or two rod from upper rods and middle rods.**

Center Rod connections:

- Thread the fixture wire from the socket through the down rod, and secure the down rod to the socket.
- Thread the fixture wire through the threaded pipe and middle rod, and then secure the middle rod onto the lower rod using the threaded pipe.
- Thread the fixture wire through the threaded pipe and upper rod, and then secure the upper rod onto the middle rod using the threaded pipe.
- Thread the fixture wire through the collar, canopy, swivel and coupling. Slip the collar and canopy until they rest on top of the socket. Connect the upper rod to swivel. Next, connect the coupling to swivel.

*** The height can be adjustable by adding or reducing one or two rod from upper rods and middle rods.**



8. Fix the frame to the ceiling.

Thread the anchors into the 3 holes of the ceiling. Attach the mounting strap to the outlet box by using two mounting screws. Place the frame over mounting strap, adjust frame, making sure that the anchor feeds through its setting hole, then secure it with dry wall screws.

9. Attach the buckles onto setting holes.

10. Cut any excess fixture wires leaving only about 8" (20cm) length from the top end of nipple, then strip off 3/4" the fixture wires of plastic from each end.

11. Pull out the outlet wires and house grounding wire from the outlet box. Make wire connections using the wire nuts: (See Fig. 3)

---Take a black pigtail to black wires from the fixture.

---Take a white pigtail to white wires from the fixture.

---The black pigtail to the black (hot) wires from power source.

---The white pigtail to the white (neutral) wires from power source.

---Attach the grounding wire to the mounting strap with the green grounding screw. Then connect it to the house grounding wire and all grounding wires from the frame with a wire nut.

Carefully put the wires back into the outlet box.

12. Attach the canopy to the frame, and secure it with a collar.

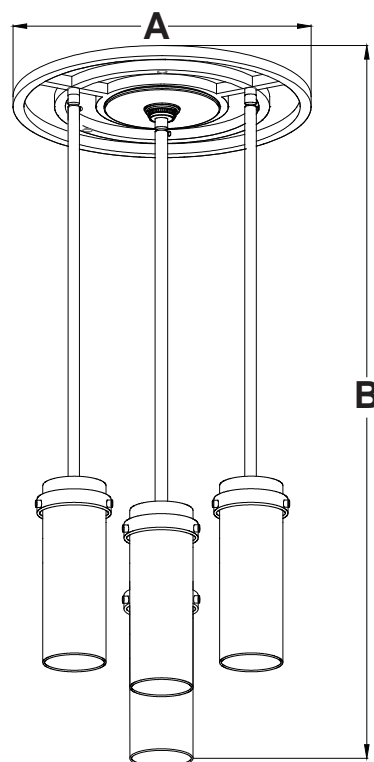
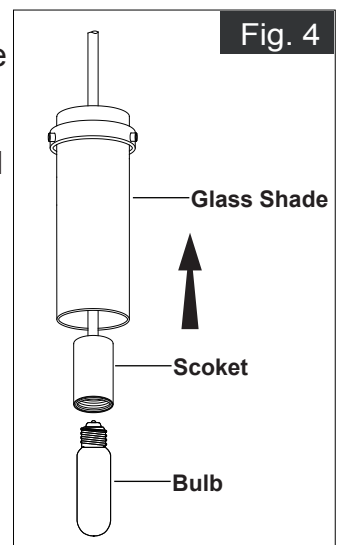
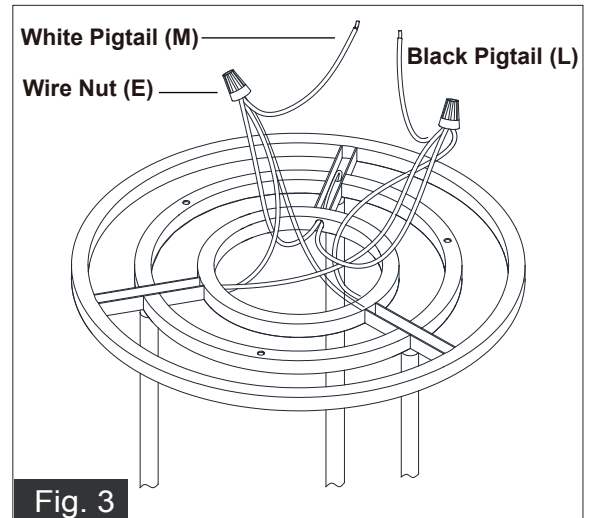
13. Hold the socket into the interior glass shade, thread the three set screws-1

through each holes of interior glass shades, and then secure them into the support.

14. Place the interior glass shade into the center of exterior glass shade and metal ring, then thread the three set screws-2 through each holes of metal ring and exterior glass shades, secure them into the set screws-1.

15. Pushing up the glass shade, make the socket to show outside the glass shade. Install bulbs (not included). See relamping label at socket area or packaging for maximum allowed wattage. (See Fig. 4)

16. Turn on the power at the main fuse or circuit breaker box.



A: 13"

B: 19" ~ 70"