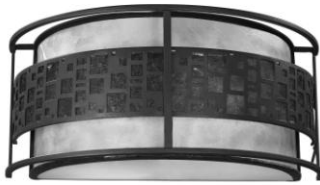


ASSEMBLY INSTRUCTIONS



Z14-50WS

APX WT. 2.64LBS

Important Safety Instructions

- . Power at the Fuse Box should be disconnected before installing this fixture.
- . The Fixture ground wire (bare or green installed wire is NOT connected to current carrying supply wires).
- . The insulation on any of the wires must not be damaged during installation.
- . No rough or sharp edges are in contact with any of the wires.
- . Fixture wires are connected to the proper house supply wires. If you have any doubt contact a licensed electrician.
- . Do not use light bulb(s) with wattage greater than those specified for this fixture. Power is off when installing light bulb(s) into the fixture.
- . Insure the outlet box is well mounted to the building structure and will be able to support the weight of the fixture.

1 Read directions and follow steps 1~8

- 1) Carefully unpack and layout the parts as shown in illustration and read all instructions before starting.
- 2) Follow numbered steps on diagram. Screw Crossbar (3) to Wall Outlet Box (4) with appropriate Screws (5) (Screws not provided)
- 3) Connect Supply Wire with Fixture Wire using Wire Nut Connectors. (6)

Please see connection procedures below:

(I) Place the positive smooth wire from fixture evenly against with Black supply wire (7) from the outlet box (4).

(II) Fix the wire nut connector (6) over the ends of two wires and screw the connector clockwise until you feel a firmness.

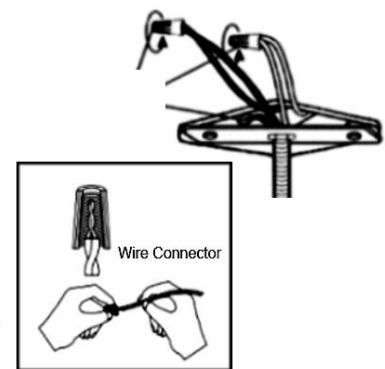
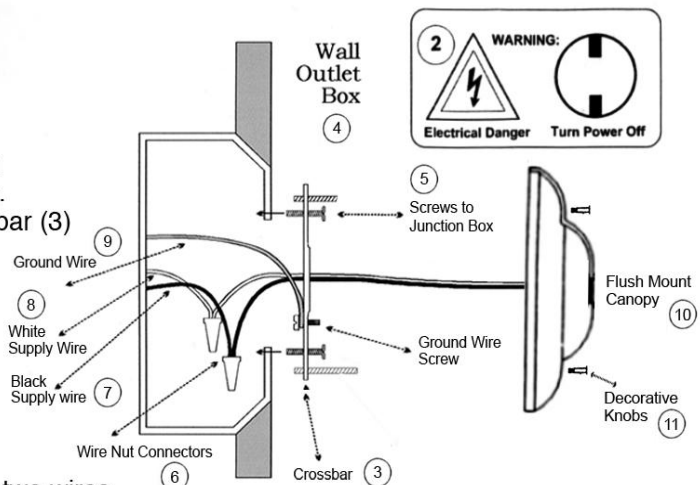
(III) Try gently to pull the connector off the wires. If you can pull the connector off, carefully re-do the step above, and check again for a firm connection.

(IV) Connect the negative ribbed wire (-) from the fixture to the white supply wire (8) from the outlet box (4) in the same manner.

(V) Separately wrap the wire connections using electrical tape one inch before and include the connector.

(VI) If your outlet box is provided with a grounding wire (9 - green or bare copper only), attach this wire and the bare copper wire from the fixture to the green ground screw by wrapping both wires under the head of the screw and tightening screw. If outlet box is not provided with grounding wire, attach only the bare copper wire from the fixture to the green grounding screw. Tuck all wires into Wall Outlet Box.

- 4) Mount Fixture (10), to Crossbar and secure using Decorative Knobs (11)
- 5) Follow Diagram on back side to attach Crystal Components.

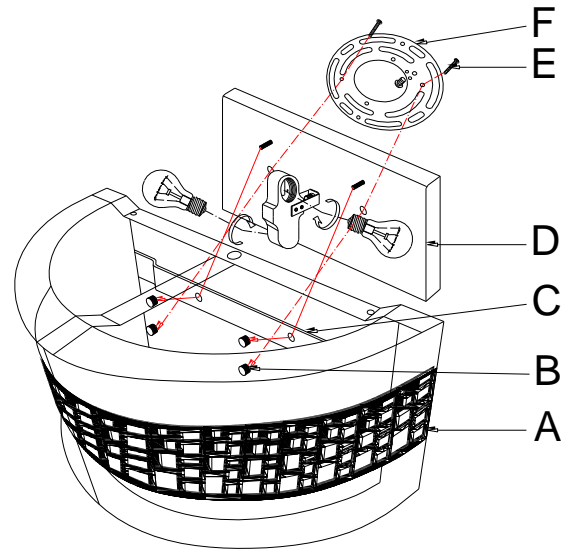




Z14-50WS

WARNING: TO AVOID THE RISK OF ELECTRICAL SHOCK, BE SURE TO SHUT OFF POWER WHILE INSTALLING OR SERVICING THIS FIXTURE.


- 6) Using the cross bar screws(E)(provided)attach the plate(D) to the crossbar (F) and secure with the screw caps and decorative knobs(B).
- 7) Slip the shade(A) over the shade bar (C) .Shade(A) will rest on the bar.
- 8) Install bulb into the socket.



**FOR RETURN SHIPPING PURPOSES:
PLEASE RETAIN ORIGINAL PACKAGING TO
MINIMIZE DAMAGE.**

Recommended maximum (1)100Watt Type A Bulb.
Or(1) maximum 23Watt CFL Bulb
(Bulb not included).

COMPONENT LIST

Item	Design	Description	Qty
A		Shade	1PC

SPARE PARTS

--	--	--

LAYOUT ALL COMPONENTS AND REVIEW PARTS BEFORE ASSEMBLY

Revision 0 – 11/14/13

Made in China / Hecho en China