



Quoizel, Inc.  
6 Corporate Parkway  
Goose Creek, SC  
29445

Customer Service  
Phone 631.273.2700  
Fax 631.231.7102  
www. quoizel. com

## Assembly Instruction Sheet #IS-ADS5005DC For Style ADS5005DC

**Tools Required:** Flathead screwdriver, Phillips screwdriver, pliers, wire cutters, wire strippers, electrical tape, safety glasses.

**Bulb Recommended:** (5) Candelabra Base 60W Maximum

**Estimated Assembly Time:** 30-45 minutes

**Preparation:** Identify and inspect all parts before beginning installation. Check package content list and diagrams below to be sure all parts are present. If any parts are missing or damaged, do not attempt to assemble, install, or operate the fixture. Contact customer service for replacement parts.



### Warnings and Cautions

Turn off electricity at circuit breaker or main fuse box before installation. Consult a licensed electrician if in doubt.

These instructions are provided for your safety. It is very important you read them completely before installing the fixture. We strongly recommend that a licensed, professional electrician perform the installation.

Disconnect fixture from power source before replacing bulbs. Make sure bulbs are given sufficient time to cool before removal. Do not subject glass parts to any shock while in operation or shattering may result.

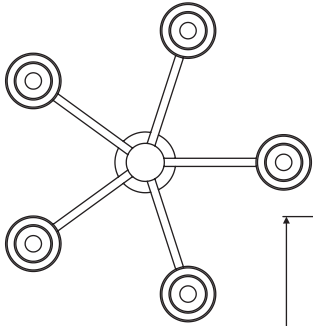
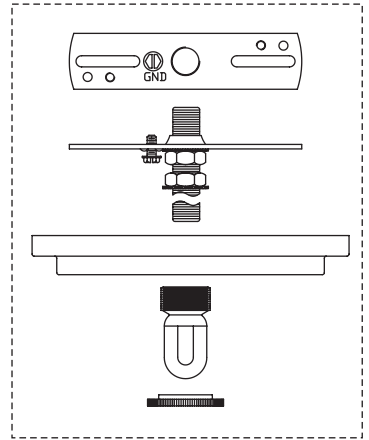
Thank you for purchasing a Quoizel product.

Need assistance with parts or assembly? Call Quoizel customer service at 1-631-273-2700  
or visit us on-line at [www. quoizel. com](http://www. quoizel. com)

ADS5005DC

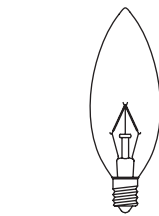
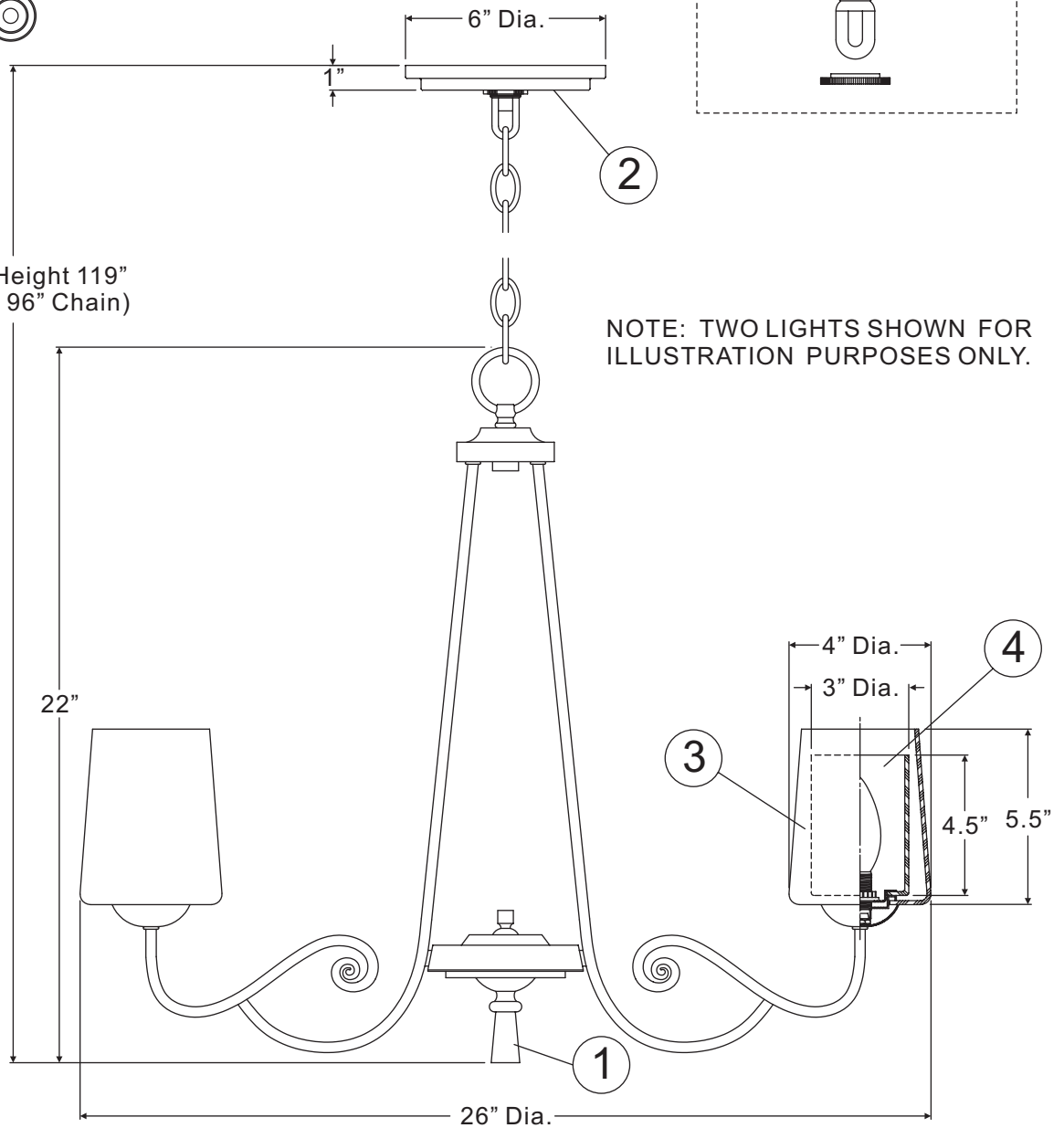
FINISH: DARK CHERRY

**SOCKET ORIENTATION**



Overall Height 119"  
(Includes 96" Chain)

NOTE: TWO LIGHTS SHOWN FOR ILLUSTRATION PURPOSES ONLY.



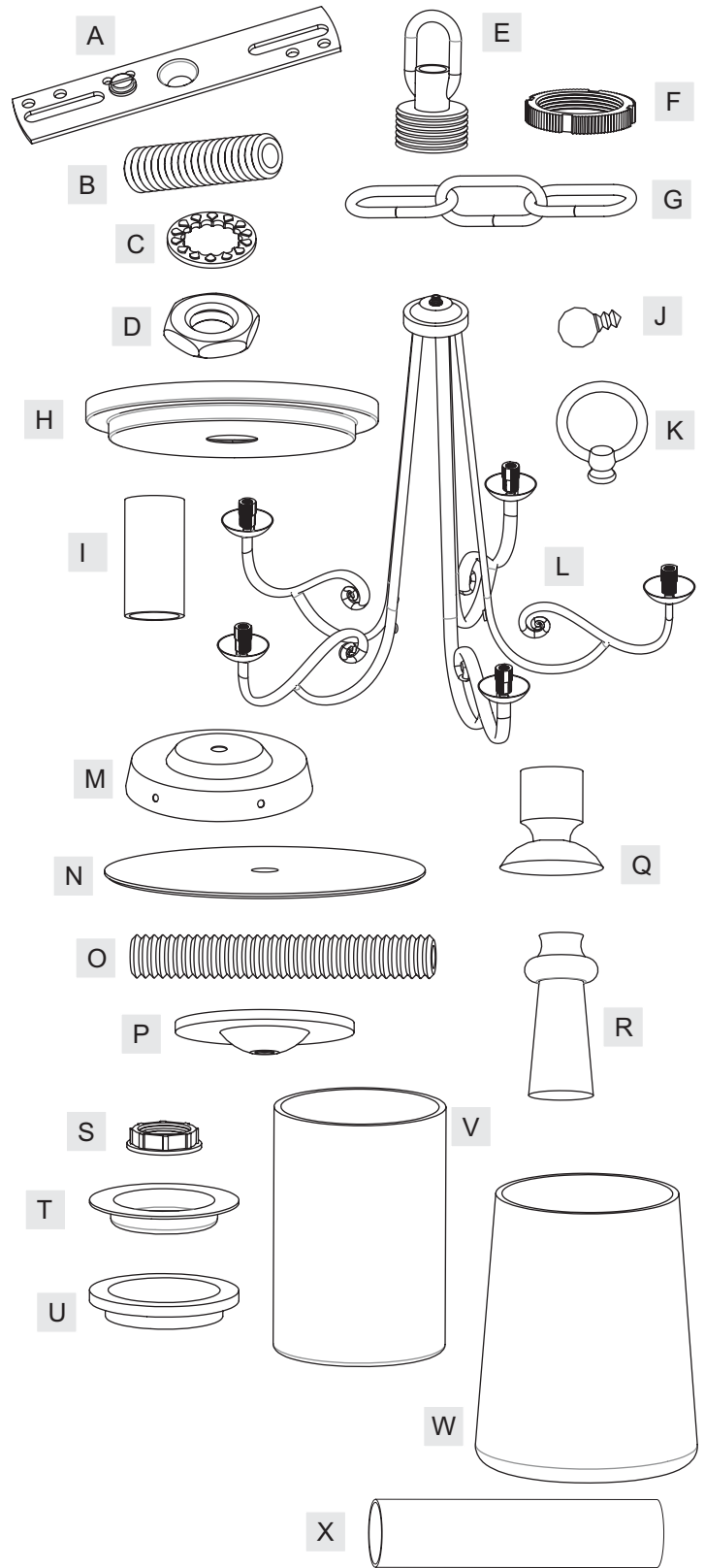
(5)60W Candelabra  
base bulbs  
(not Supplied)

NOTE: ALL DIMENSIONS ARE ROUNDED UP TO THE NEAREST 1/2"

NO.	PART NUMBER	REPLACEMENT PART DESCRIPTION	REQ.
1	M2298FIDC	FINIAL DARK CHERRY 0.75"D	1
2	9509KIT	MTG HDW/CNPY DARK CHERRY 6"D	1
3	G2940SH	SHADE CLEAR WATER GLS 5.5"H	5
4	G2939SH	SHADE OPAL ETCHED GLS 4.5"H	5

**Package Contents**

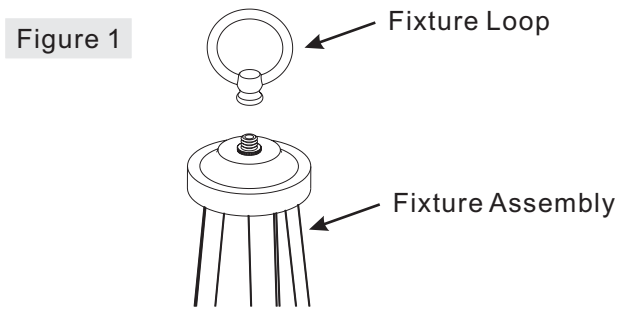
Part	Description	Quantity
A	Crossbar	1 pc.
B	Nipple	1 pc.
C	Lock Washer	2 pcs.
D	Hex Nut	3 pcs.
E	Canopy Chain Loop	1 pc.
F	Canopy Lock Ring	1 pc.
G	Fixture Chain	1 pc.
H	Ceiling Canopy	1 pc.
I	Spacer Tube	1 pc.
J	Lock Screw	5 pcs.
K	Fixture Loop	1 pc.
L	Fixture Assembly	1 pc.
M	Fixture Cover	1 pc.
N	Plate	1 pc.
O	Long Nipple	1 pc.
P	Cap	1 pc.
Q	Finial A	1 pc.
R	Finial B	1 pc.
S	Socket Collar	5 pcs.
T	Shade Holder A	5 pcs.
U	Shade Holder B	5 pcs.
V	Shade A	5 pcs.
W	Shade B	5 pcs.
X	Socket Collar Tool	1 pc.



**Thank you for purchasing a Quoizel product.  
 Need assistance with parts or assembly? Call Quoizel customer service at 1-631-273-2700  
 or visit us on-line at www. quoizel. com**

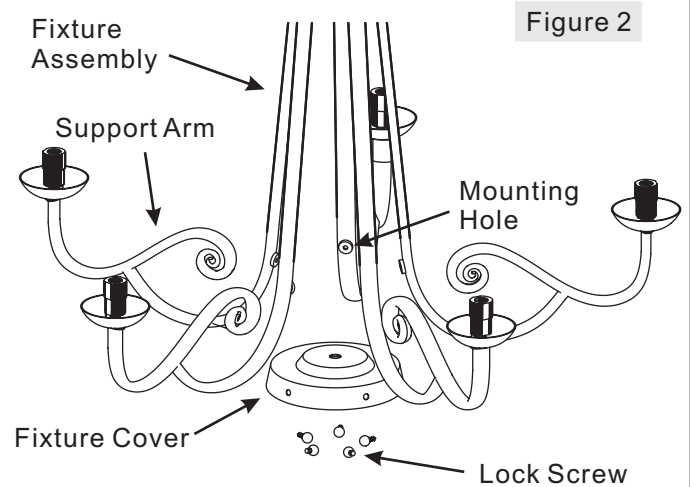
**STEP 1 – Attach Fixture Loop to Fixture Assembly**

- A. Thread the Fixture Loop (K) onto the nipple on the top center of the Fixture Assembly (L). Hand tighten until snug.



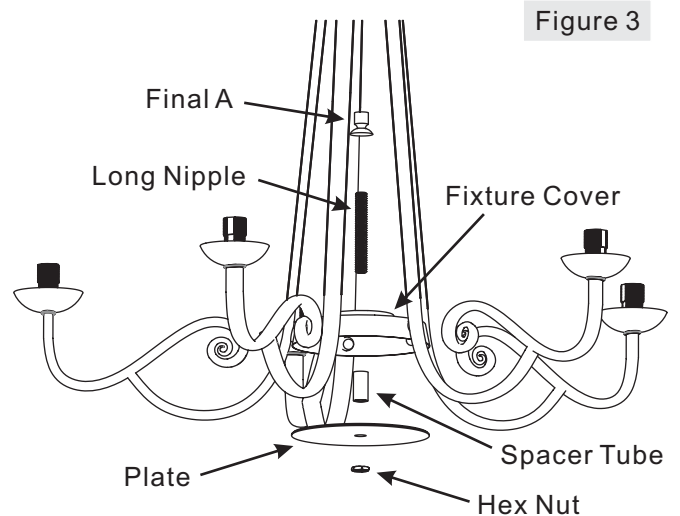
**STEP 2 – Attach Fixture Cover to Fixture Assembly**

- A. Unfold Support Arms of the Fixture Assembly (L) to proper locations.  
 B. Attach the Fixture Cover (M) to Support Arms from the bottom of the Fixture Assembly (L). Line up holes on the Fixture Cover (M) and Mounting Holes on the Support Arms. Secure by threading Lock Screws (J) from the bottom of the Fixture Cover (M). Hand tighten until snug.



**STEP 3 – Attach Spacer Tube and Plate**

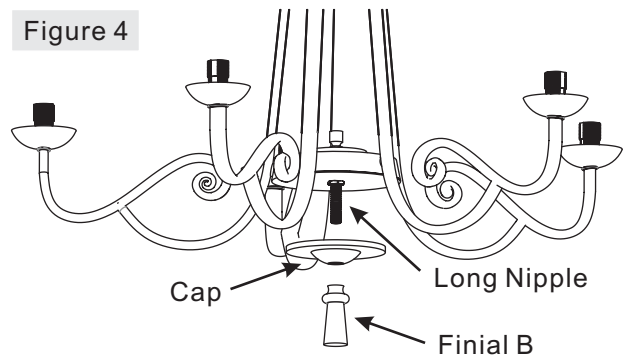
- A. Screw one end of the Long Nipple (O) into the Finial A (Q). Hand tighten until snug.  
 B. Place the another end of the Long Nipple (O) through the center hole of the Fixture Cover (M) from the top. Locate the Spacer Tube (I) and the Plate (N) over the end of the Long Nipple (O) and secure with the Hex Nut (D). Hand tighten until snug.



**Thank you for purchasing a Quoizel product.  
 Need assistance with parts or assembly? Call Quoizel customer service at 1-631-273-2700  
 or visit us on-line at www.quoizel.com**

**STEP 4 – Attach Cap to Fixture Body**

- A. Place the Cap (P) over the end of the Long Nipple (O) and secure with Finial B (R). Hand tighten until snug.



**STEP 5 – Attach Crossbar to Outlet Box**

- A. Secure the Crossbar (A) to the outlet box with outlet box screws (not supplied). Tighten until snug.

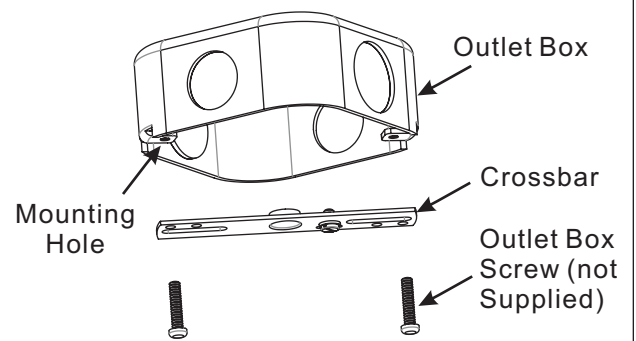


Figure 5

**STEP 6 – Attach Nipple to Crossbar**

- A. Thread one Hex Nut (D) onto the top end of the Nipple (B).  
 B. Place one Lock Washer (C) over the top end of the Nipple (B) and then thread the Nipple (B) into the center lock hole of the Crossbar (A).  
 C. Using pliers, thread the hex Nut (D) against the Crossbar (A) and hand tighten until snug.

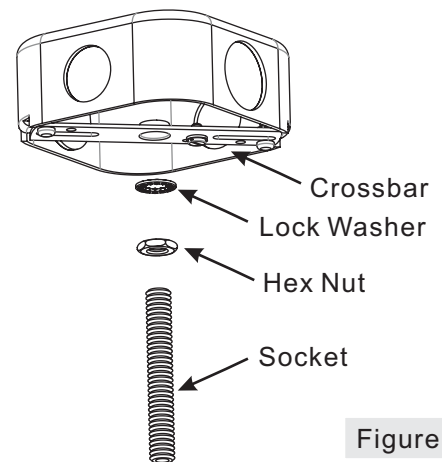


Figure 6

**Thank you for purchasing a Quoizel product.  
 Need assistance with parts or assembly? Call Quoizel customer service at 1-631-273-2700  
 or visit us on-line at www.quoizel.com**

**STEP 7 – Attach Canopy Chain Loop to Nipple**

- A. Thread another Hex Nut (D) onto the end of the Nipple (B).
- B. Place the Lock Washer (C) over the end of the Nipple (B) and then thread the Canopy Chain Loop (E) onto the end of the Nipple (B).
- C. Using pliers, thread the Hex Nut (D) against the Canopy Chain Loop (E) and hand tighten until snug.

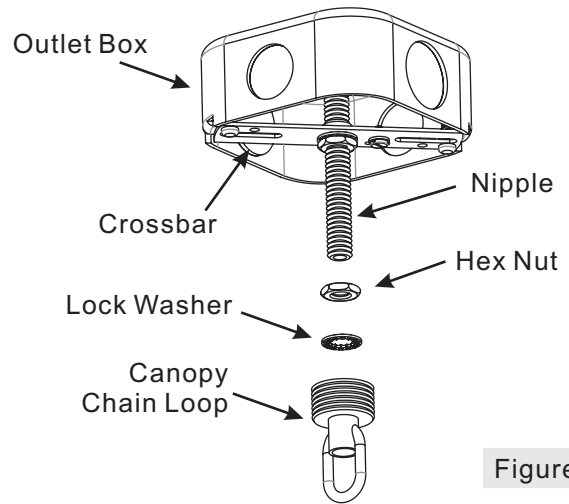


Figure 7

**STEP 8 – Assemble Ceiling Canopy**

- A. Push the Ceiling Canopy (H) upward over the Outlet Box. Thread the Canopy Lock Ring (F) onto the Canopy Chain Loop (E) and tighten until snug to secure the Ceiling Canopy (H).

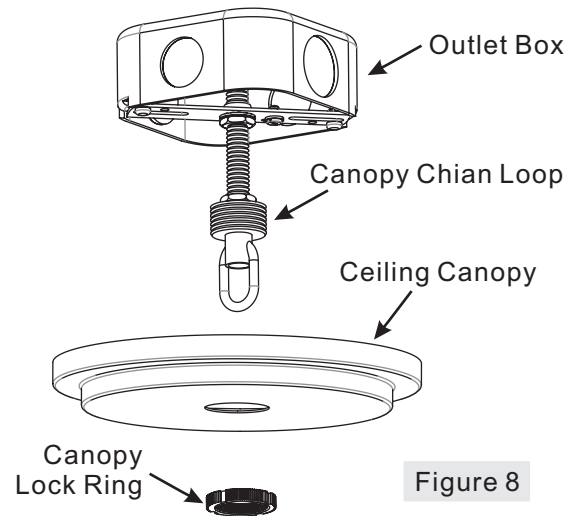


Figure 8

**STEP 9 – Attach Fixture Chain to Canopy Chain Loop and Fixture Loop**

- A. Adjust the Fixture Chain (G) to your desired length by removing the links if needed. You may need to use plier to open the chain links. If so, put a cloth over the chain to protect the finish from the pliers.
- B. Attach one end of the Fixture Chain (G) onto the Canopy Chain Loop (E) and then attach the other end of the Fixture Chain (G) onto the Fixture Loop (K) on the top of the fixture.

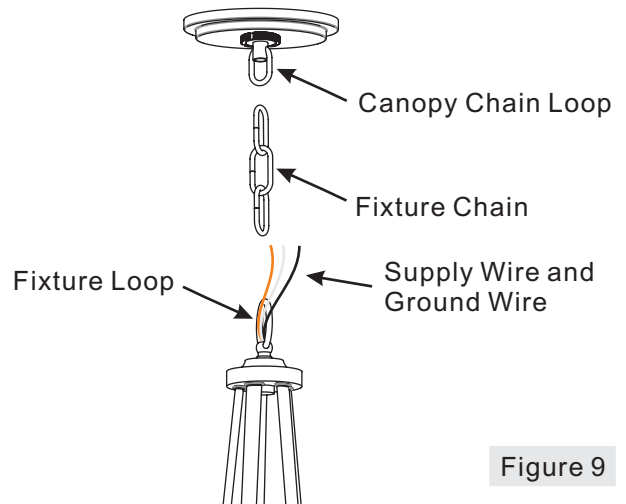


Figure 9

**Thank you for purchasing a Quoizel product.  
 Need assistance with parts or assembly? Call Quoizel customer service at 1-631-273-2700  
 or visit us on-line at www. quoizel. com**

## STEP 10 – Pass Supply Wires through Fixture Chain

- A. Pull the Supply Wires and Ground Wire up through the Fixture Chain (G) alternating links. Push the wires up through the Canopy Chain Loop (E) into the outlet box.

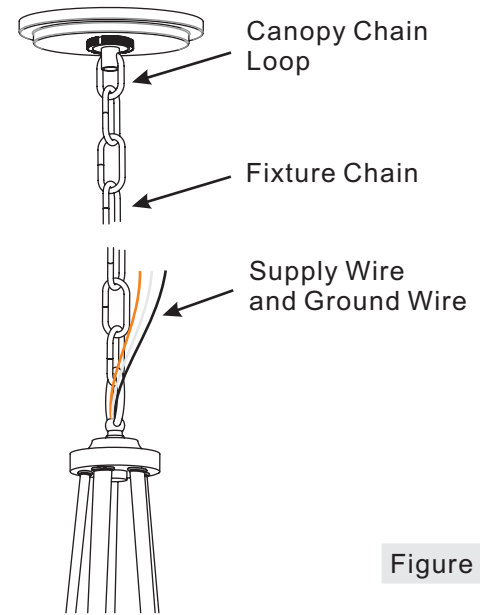


Figure 10

## STEP 11 – Make Wire Connections

- A. Un-thread the Canopy Lock Ring (F) and slide Canopy Lock Ring (F) and Ceiling Canopy (H) down the Fixture Chain (G).  
 B. Push all slack fixture wire through Canopy Chain Loop (E) into Outlet Box. Trim excess fixture wire leaving a minimum of 6 inch. Hanging out of the Outlet Box.  
 C. Use standard wire connectors to make all wire connections. (Connectors are not included with fixture.) Strip and prepare wire ends according to instructions supplied with connectors.  
 D. Connect White Supply Wire from the Outlet Box to White Wire from fixture.  
 E. Connect Black (or Red) Supply Wire from the Outlet Box to Black Wire from fixture.  
 F. Connect Ground Wire from the Outlet Box to Ground Wire from fixture.  
 G. Twist connectors until wires are tightly joined together.  
 H. Wrap each connection with approved electrical tape and carefully stuff all the connected wires into the Outlet Box.  
 G. Re-attach the Ceiling Canopy (H) as shown in Step 8.

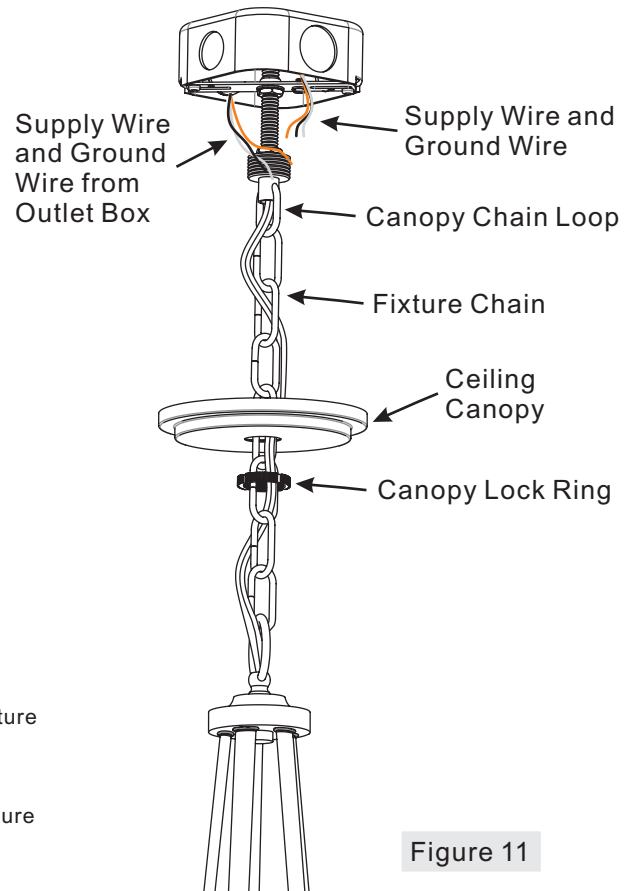


Figure 11

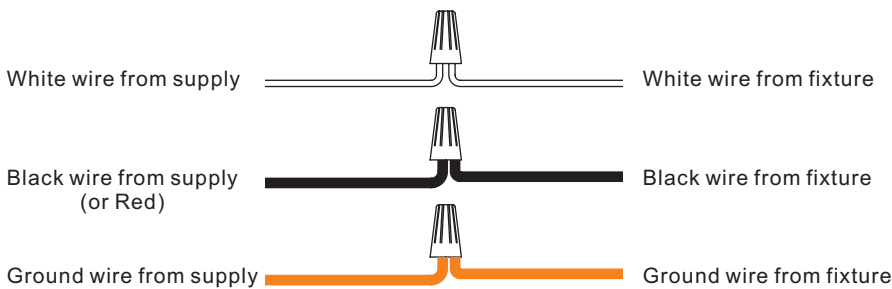


Figure 12

**Thank you for purchasing a Quoizel product.**  
**Need assistance with parts or assembly? Call Quoizel customer service at 1-631-273-2700**  
**or visit us on-line at [www.quoizel.com](http://www.quoizel.com)**

## STEP 12 – Assemble Shades

- A. Place Shades A and B (V/W), Shade Holder A and B (T/U) over the Socket as shown. By using the Socket Collar Tool (X), thread the Socket Collar (S) onto the Socket to secure above parts. Hand tighten until snug.

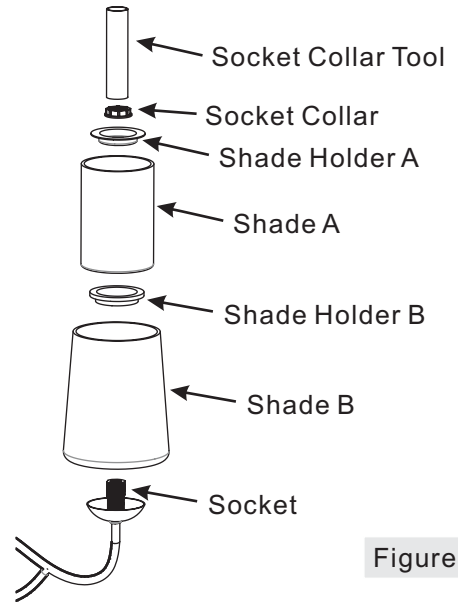


Figure 13

## STEP 13 – Install Bulb

- A. This fixture uses candelabra bulb with a candelabra screw base. Maximum 60 watts.  
B. Insert bulb and screw snugly into place.

Your fixture chandelier lamp is now assembled and ready to use. Enjoy!

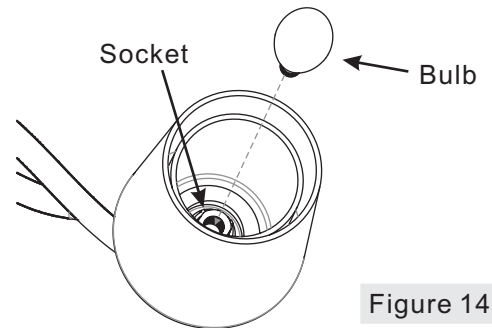


Figure 14

**Thank you for purchasing a Quoizel product.**  
**Need assistance with parts or assembly? Call Quoizel customer service at 1-631-273-2700**  
**or visit us on-line at [www.quoizel.com](http://www.quoizel.com)**