

# "CALVERT" CARVED FIREPLACE

FA927800TX- ESPRESSO

FA927900TX- IVORY

## ASSEMBLY INSTRUCTIONS



**Southern**  
ENTERPRISES

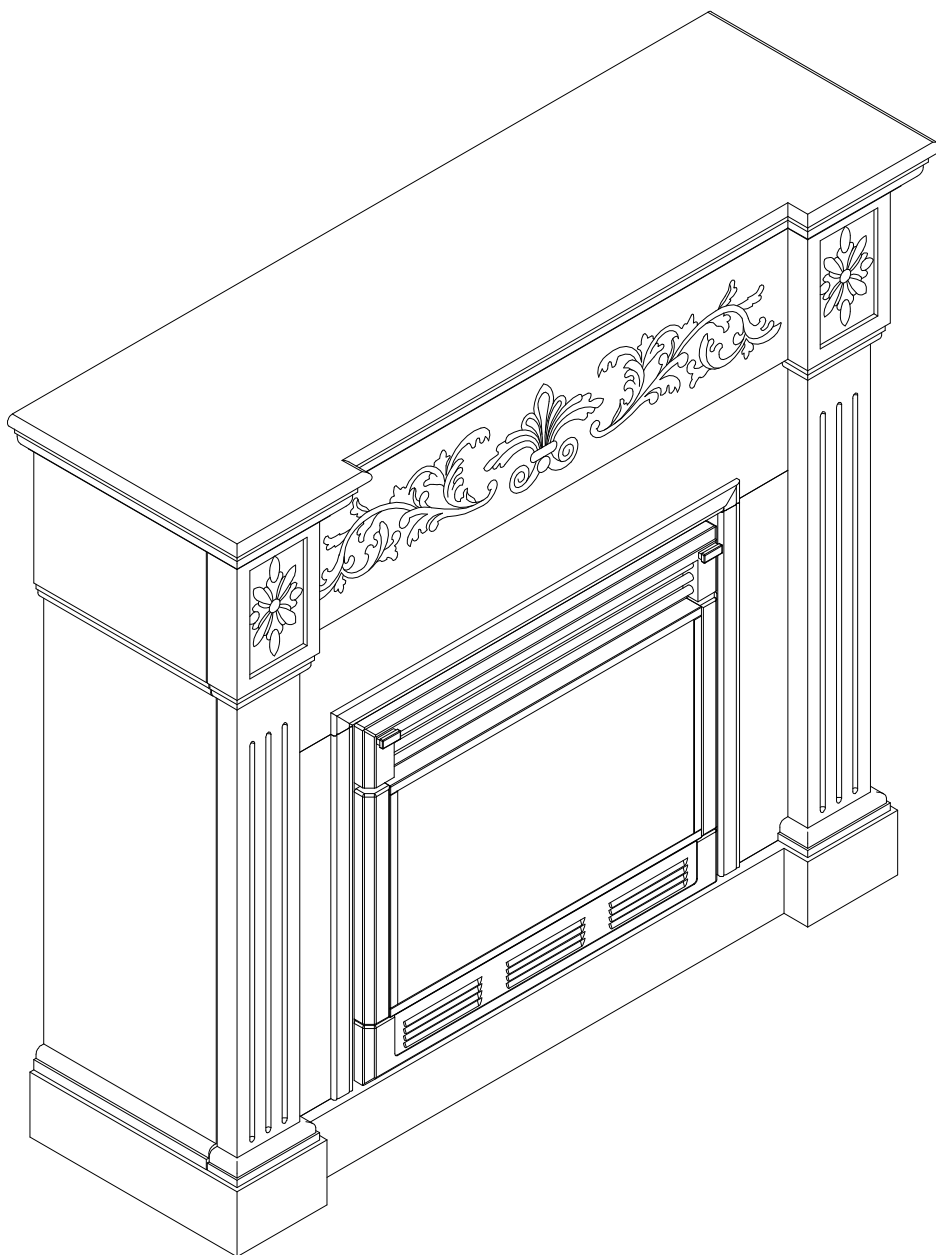
For assistance with assembly, contact:  
Southern Enterprises Inc.

Customer Service 1-800-633-5096

[service@seidal.com](mailto:service@seidal.com)


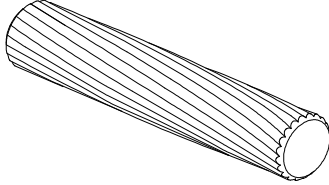
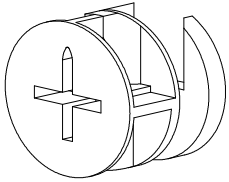
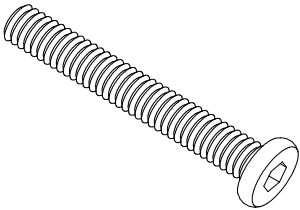
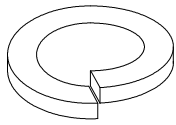
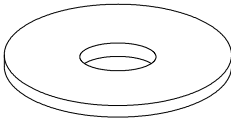
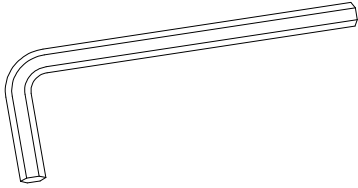
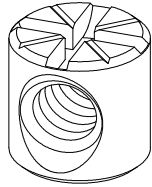
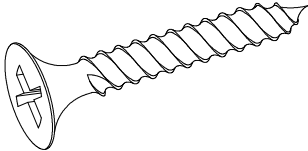
[www.seidal.com](http://www.seidal.com)

**PO#12825**



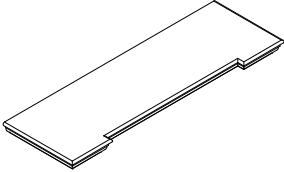
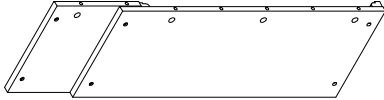
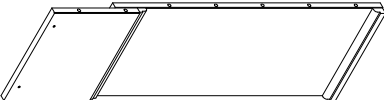
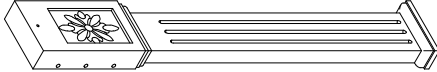
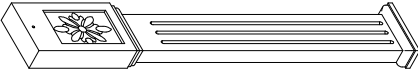
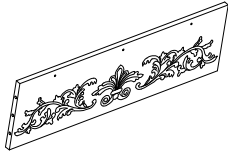
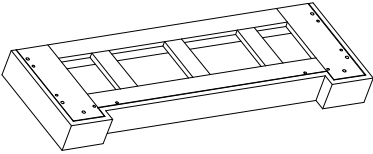
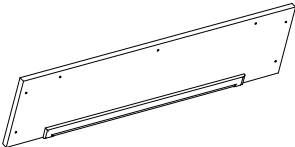
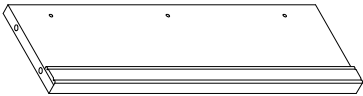
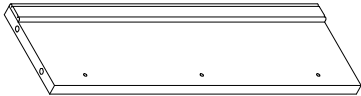
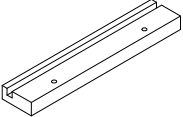
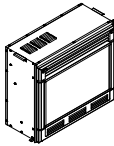
# "CALVERT" CARVED FIREPLACE Parts List

Please check packaging for all parts and hardware before discarding. Unpack and lay parts on clean, padded surface like carpet or blanket. Check that you have all parts indicated. Call customer service if hardware is missing. Before beginning assembly, carefully study the diagrams below and sort your hardware according to the pictures. Using the incorrect hardware will cause damage.

<b>A</b>  Cam Bolt Quantity of 12	<b>B</b>  Wood Dowel Quantity Of 20
<b>C</b>  Cam Lock Quantity of 12	<b>D</b>  Bolt Quantity of 6
<b>E</b>  Spring Washer Quantity of 6	<b>F</b>  Flat Washer Quantity of 6
<b>G</b>  Allen Wrench Quantity of 1	<b>H</b>  Cross Socket Nut Quantity of 6
<b>I</b>  Wood Screw Quantity of 26	

# "CALVERT" CARVED FIREPLACE Parts List

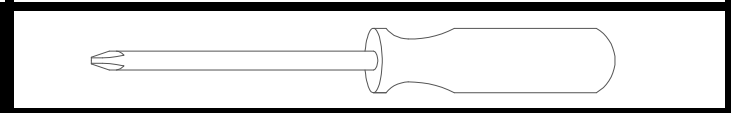
Please check packaging for all parts and hardware before discarding. Unpack and lay parts on clean, padded surface like carpet or blanket. Check that you have all parts indicated. Call customer service if hardware is missing. Before beginning assembly, carefully study the diagrams below and sort your hardware according to the pictures. Using the incorrect hardware will cause damage.

<p><b>1</b></p>  <p>Top Panel</p>	<p>Quantity of 1</p> <p><b>2</b></p>  <p>Left Side Panel</p> <p>Quantity of 1</p>
<p><b>3</b></p>  <p>Right Side Panel</p>	<p>Quantity of 1</p> <p><b>4</b></p>  <p>Left Front Panel</p> <p>Quantity of 1</p>
<p><b>5</b></p>  <p>Right Front Panel</p>	<p>Quantity of 1</p> <p><b>6</b></p>  <p>Upper Front Panel</p> <p>Quantity of 1</p>
<p><b>7</b></p>  <p>Base</p>	<p>Quantity of 1</p> <p><b>8</b></p>  <p>Middle Front Panel</p> <p>Quantity of 1</p>
<p><b>9</b></p>  <p>Middle Left Front Panel</p>	<p>Quantity of 1</p> <p><b>10</b></p>  <p>Middle Right Front Panel</p> <p>Quantity of 1</p>
<p><b>11</b></p>  <p>Insert Fixed Bar</p> <p>Quantity of 2</p>	<p><b>12</b></p>  <p>Insert (sold in a separate carton)</p> <p>Quantity of 1</p>

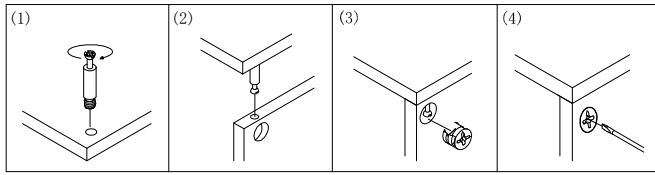
**Care and Cleaning Instructions:**  
 Before using, wipe with a clean, dry cloth. Periodically apply furniture wax to renew the finish. Avoid rubbing or scratching the surface with rough or abrasive objects.

For replacement parts or questions, please call customer service at 1-800-633-5096.

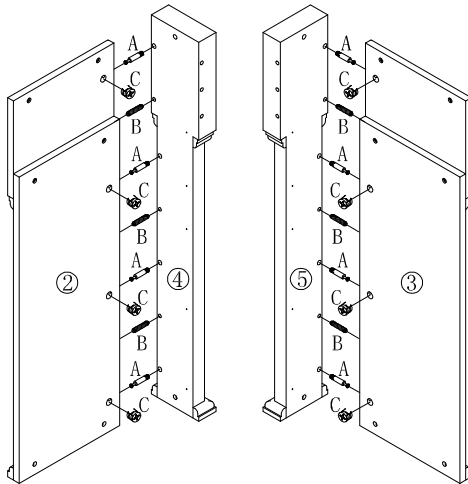
**Assembly Tool Required**  
 No.2 Phillips Screwdriver (Not Included)



# "CALVERT" CARVED FIREPLACE Assembly Instructions



"Please do not over tighten cam bolts,  
please stop when you feel it tighten"

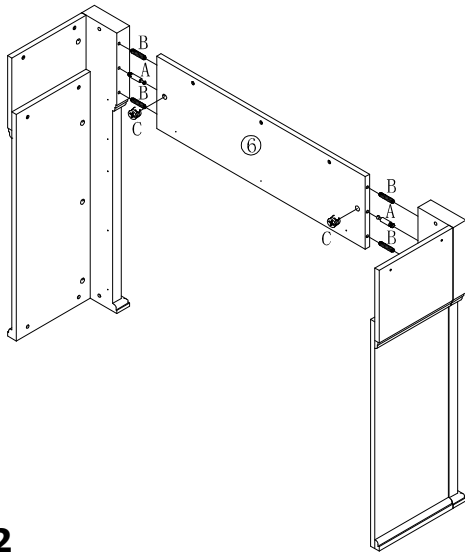


**Figure 1**

Insert cam bolts (A) and wood dowels (B) to corresponding holes on panels (4) and (5).

Insert and turn cam locks (C) clockwise to attach left side panel (2) to left front panel (4).

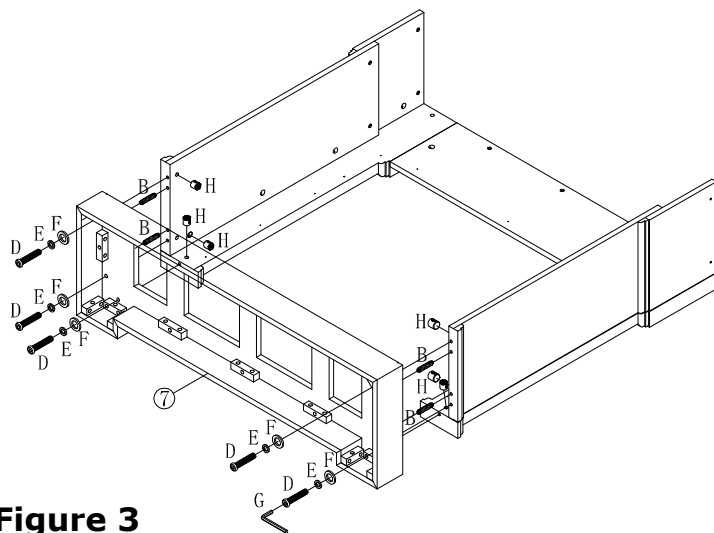
Repeat procedure to attach right side panel (3) to right front panel (5).



**Figure 2**

Insert cam bolts (A) and wood dowels (B) to corresponding holes on the side of panels (4) and (5).

Insert and turn cam locks (C) clockwise to attach upper front panel (6) to panels (4) and (5).



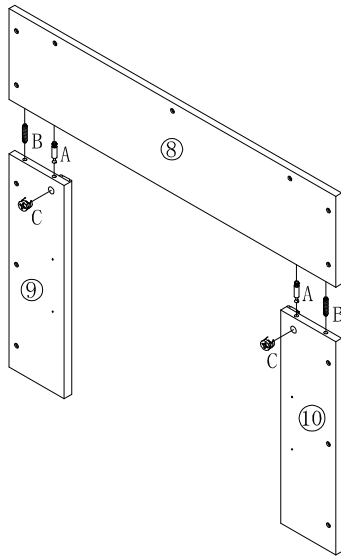
**Figure 3**

Insert cross socket nuts (H) and wood dowels (B) to corresponding holes on side panels (2) and (3).

Use bolts (D), spring washers (E), and flat washer (F) to attach base (7) to the bottom of side panels (2) and (3).

Tighten bolts using Allen wrench (G).

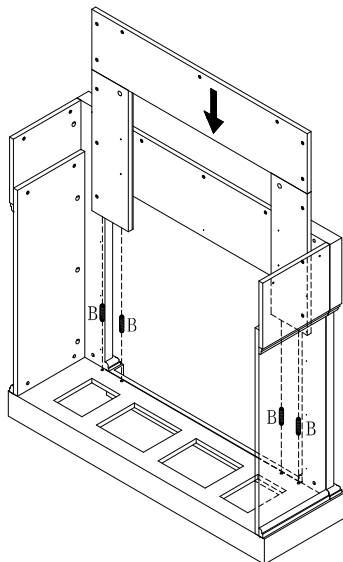
# "CALVERT" CARVED FIREPLACE Assembly Instructions



Insert cam bolts (A) and wood dowels (B) to corresponding holes on bottom side of middle front panel (8).

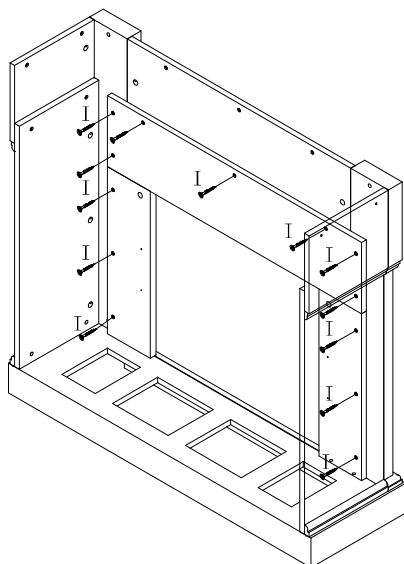
Insert and turn cam locks (C) clockwise to attach middle front panel (8) to middle left front panel (9) and middle right front panel (10).

**Figure 4**



Insert wood dowels (B) into the corresponding holes on the base, then, insert the assembled unit from figure 4 onto the wood dowels.

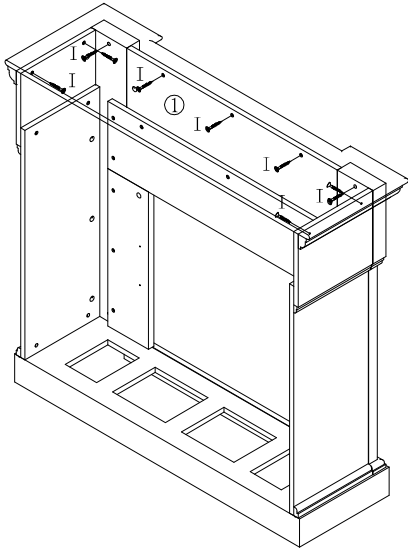
**Figure 5**



Insert wood screws (I) into the corresponding holes to attach the panels.

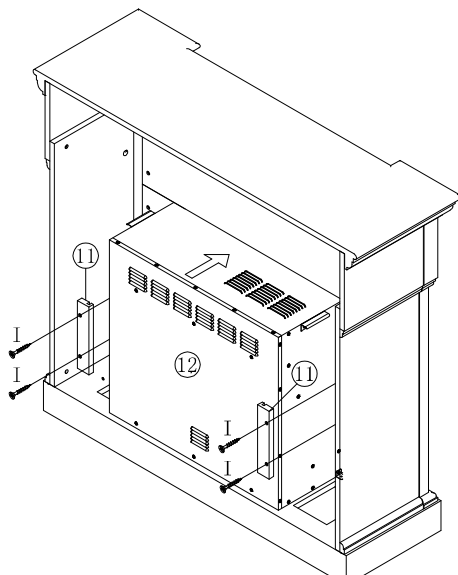
**Figure 6**

# "CALVERT" CARVED FIREPLACE Assembly Instructions



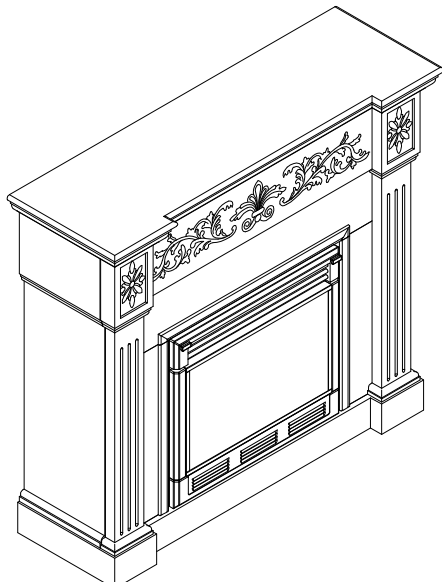
**Figure 7**

Insert wood screws (I) into the corresponding holes to attach the top panel.



**Figure 8**

Attach insert (12) into the mantel as shown,.  
Then, insert wood screws (I) through insert fixed bar (11) to lock tightly.



Now your fireplace is ready to use.

# Parts Replacement Form

## Customer Information

Name \_\_\_\_\_

Address \_\_\_\_\_

City/State/Zip Code \_\_\_\_\_

Phone Number \_\_\_\_\_

Please indicate where you purchased this item: Store/Website/Catalog

\_\_\_\_\_

Please indicate color/size/style number:

\_\_\_\_\_

Style No	Parts Letter	Parts Description	Quantity Needed
_____	_____	_____	_____
_____	_____	_____	_____
_____	_____	_____	_____

Please immediately examine this product carefully. Any request for missing parts or damage replacement must be received within 90 days of your receipt of the product. Replacement, if available, will be honored within this time frame. Parts will not be available for items arriving fully assembled. We do not recommend modifying product(s) and we are not responsible for any damages due to product modification(s). If damages or missing parts are not reported within 90 days of your receipt, we are under no obligation to provide parts or replacement merchandise.

Please contact Southern Enterprises at 800-633-5096 or in Dallas 972-869-0111/ 9am – 4pm Mon-Fri Central time if you have product issues or email us at [service@seidal.com](mailto:service@seidal.com). Please ask for customer service representative for issues involving damages or replacement parts. Please ask for technical assistance representative for any issues with product and assembly/construction.

Please contact the retailer that you purchased from for returns.



**Southern**  
ENTERPRISES

Customer Service 1-800-633-5096  
[service@seidal.com](mailto:service@seidal.com)  
Southern Enterprises, Inc.  
600 Freeport Parkway, Suite 200  
Coppell, Texas 75019