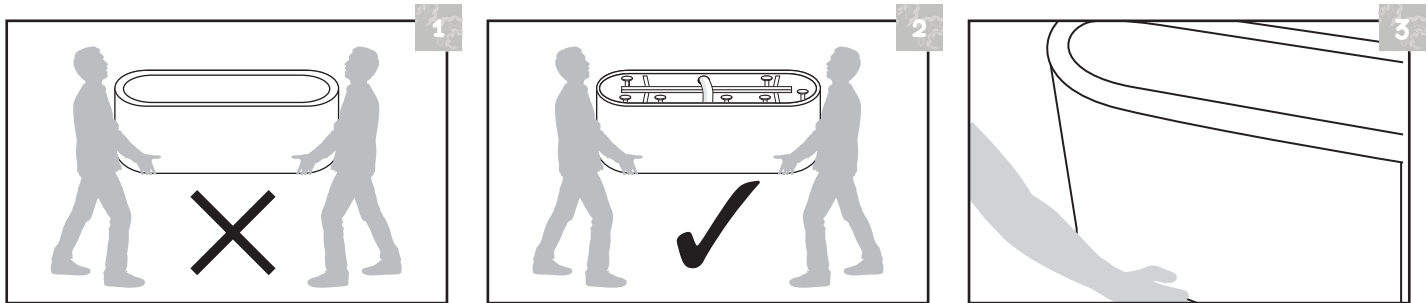


TYPICAL FREESTANDING BATHTUB INSTALLATION PROCEDURE

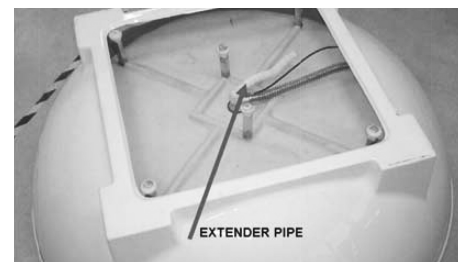
Before you start:

- Ensure that the floor is even.
- The waste-overflow fitting is supplied with the product, however other accessories like the slip joint and adaptors are not included and must be purchased separately.
- Because of the technical features of the product, it should be used only with the supplied waste-overflow or specific 3rd party models that have been tested and approved by us.
- Handgrip application for our product is not available.
- The bathtub must be carried in the upside-down position. Do not lift or support the bathtub by the panels.
- Place the bathtub by raising it up 3½" with 4x4 peices of lumber so you can have access from the bottom of the bathtub.
- For cleaning of the acrylic bathtub look at our Acrylic Bathtub Maintenance Manual.

INSTALLATION SEQUENCE

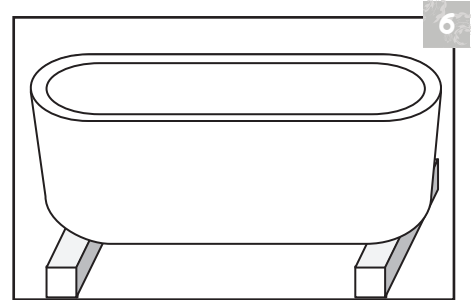
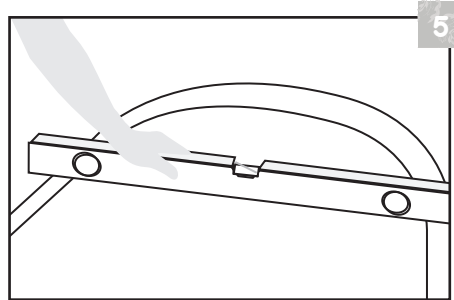
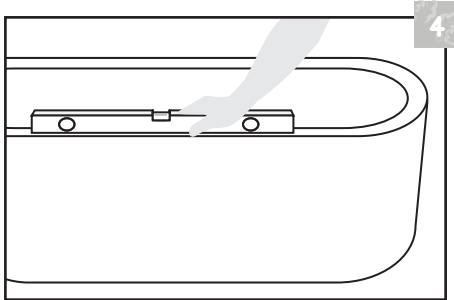


- **Picture 1-2:** the bathtub must be carried upside-down. It must never be carried by its panel.
- **Picture 3:** the waste-overflow fitting is pre-installed with the bathtub at the factory. ***The corrugated extender must be removed and discarded unless there is absolutely no other way to complete the installaton.*** The waste pipe/p-trap connection must be made directly to waste/drain outlet located at the bottom of the tub.

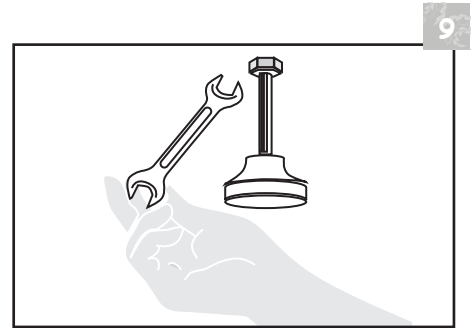
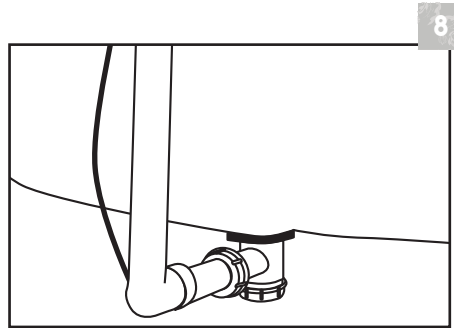
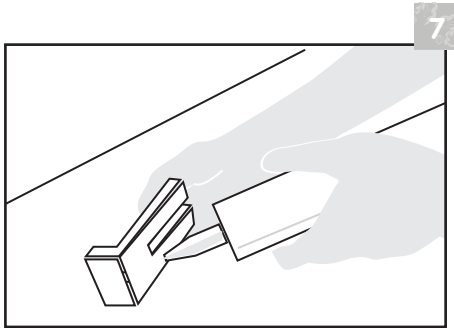


TYPICAL FREESTANDING BATHTUB INSTALLATION PROCEDURE

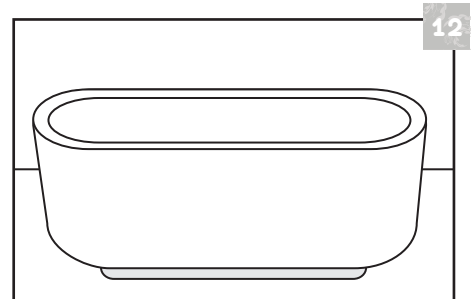
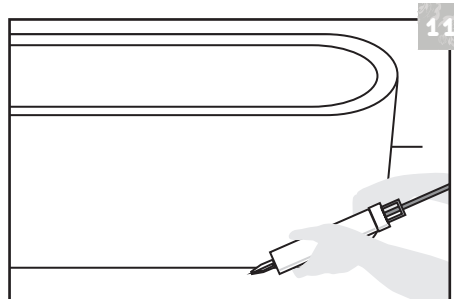
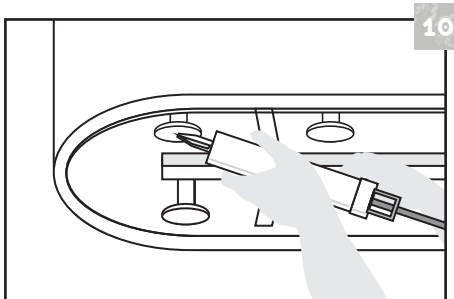
INSTALLATION SEQUENCE continued



- **Picture 4-5:** the bathtub is leveled via a water level at the intended local installation area.
- **Picture 6:** place the bathtub by raising it up 3½" with 4x4 peices of lumber so you can have access from the bottom of the bathtub. **Important note:** during the installation, the bathtub should not be tiurned on its side to prevent its weight from deflecting its monobloc sides. This is why it is important to use supports to raise the bathtub above the floor. This will also provide you with easy access to the internal plumbing parts.



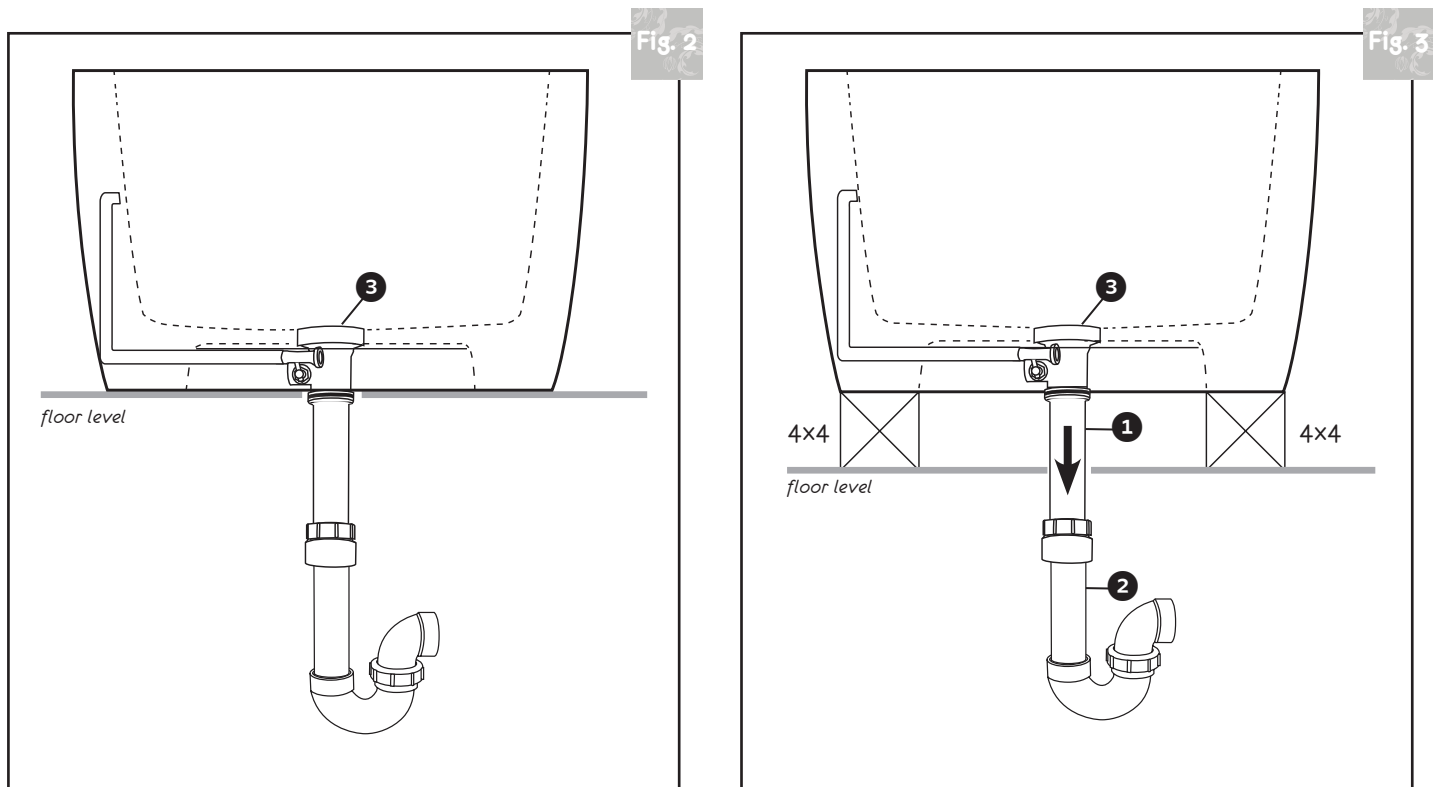
- **Picture 7:** the monobloc sides of the bathtub touching the floor should be marked.
- **Picture 8:** the water outlet pipe should be connected.
- **Picture 9:** foot leveling lock nuts are adjusted.



- **Picture 10:** silicone is applied to the feet of the bathtub that stands on the floor.
- **Picture 11:** when the installation is completed, the bathtub is taken down fromn the supports (ie 2 x 4x4's). If necessary, installation is completd by applying silicone at several points between the bottom panel and floor.
- **Picture 12:** any remaining protective packaging should be removed only after the bathtub installation and other construction work in the bathroom is fully finished.

TYPICAL FREESTANDING BATHTUB INSTALLATION PROCEDURE

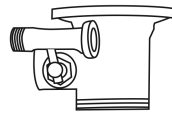
OVERALL PLUMBING INSTALLATION INSTRUCTIONS



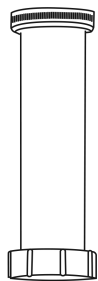
- Before placing the bathtub, insert the male part of the expansion joint (1) halfway to the female part (2) (Not supplied with the bathtub and must be provided by your plumber).
- Place the bathtub by raising it up $3\frac{1}{2}$ " with 4x4 peices of lumber so you can have access from the bottom of the bathtub.
- Align the drain (3) to the expansion joint (1) (**fig.3**).
- From the bottom of the bathtub, tighten the collars of the expansion joint (1) to the drain (3) (don't forget to use the seal washer in between).
- Tighten the collars of the expansion joint (2) just tight enough so the male part (1) can still slide in. (**Fig.3**).
- Fill the water in the tub and let it drain out.
- From the bottom, make sure that all the joints are watertight.
- Move the bathtub down slowly by removing the pieces of lumber.
- Fill the spaces with silicone.

TYPICAL FREESTANDING BATHTUB INSTALLATION PROCEDURE

APPENDIX



- **Drain** (provided)



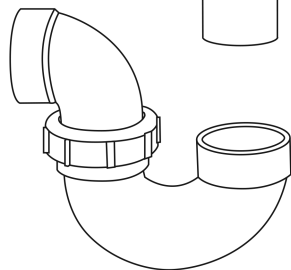
- **1½" Tail Piece with Nut*** (cut to length)



- **1½" Male Adapter*** (cut to length)



- **1½" ABS Pipe*** (cut to length)



- **1½" ABS Trap***

* Provided by plumber

Aquatica Plumbing Group

#561, 7620 Elbow Dr. SW, Calgary, AB T2V 1K2, CANADA

Tel.: 1 866 606 AQUA (2782) | e-mail: info@aquaticaplumbing.com

Designed in EU and Canada