

MS994100TX

“Orion” TV/Media Stand

—Antique Gray Finish for Body

Black Finish for Base

Assembly Instructions



**Southern
ENTERPRISES**

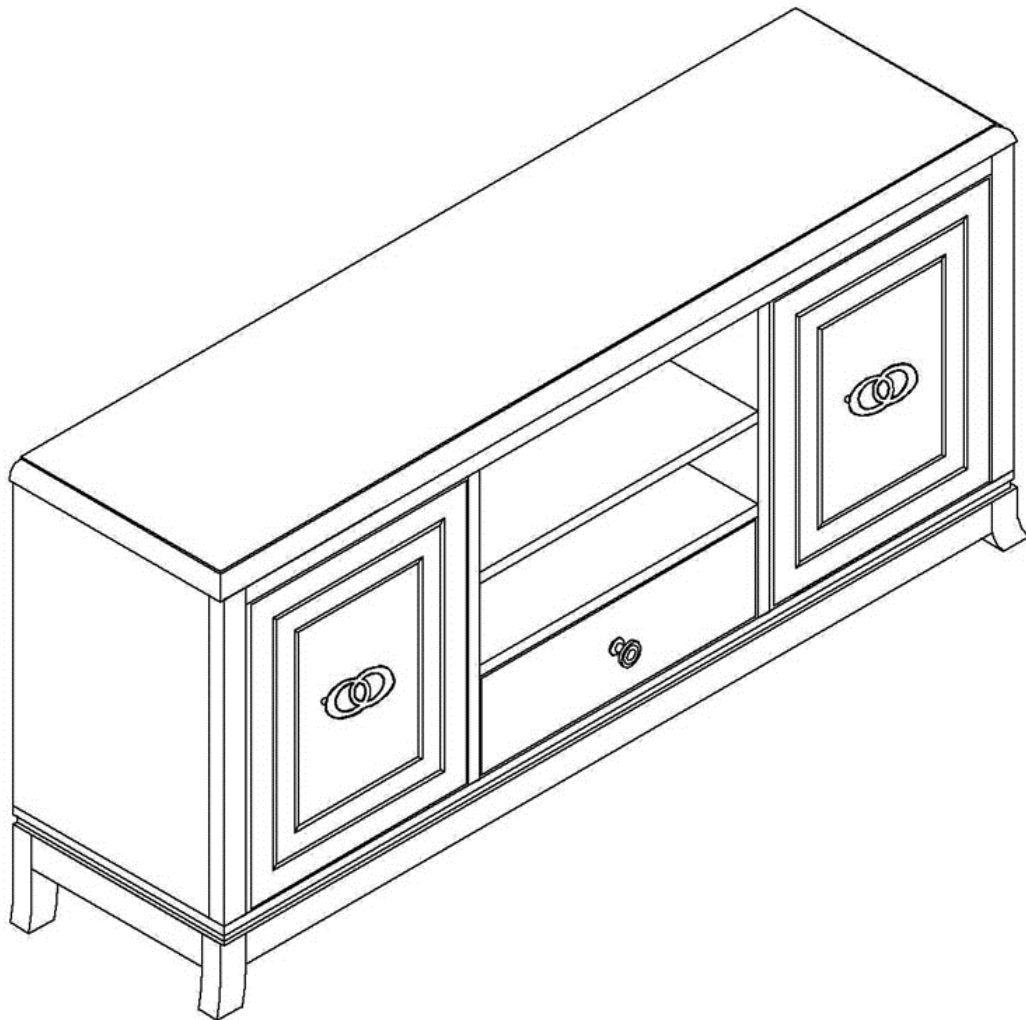
For assistance with assembly contact:
Southern Enterprises Inc.

Customer Service 1-800-633-5096

service@seidal.com

www.seidal.com

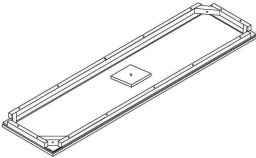
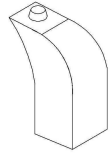
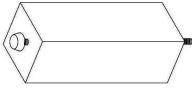
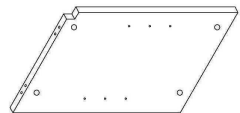
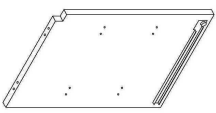
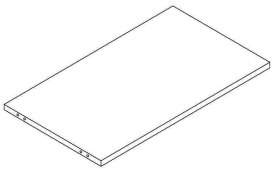
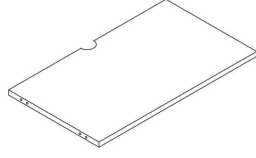
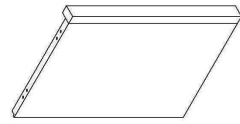
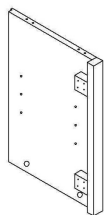
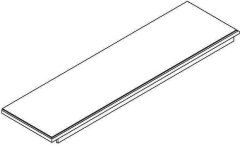
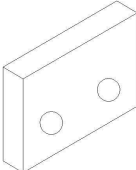
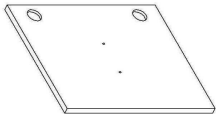
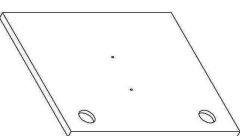
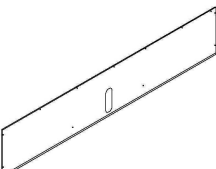
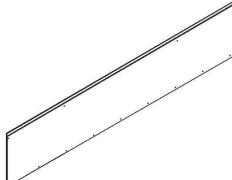
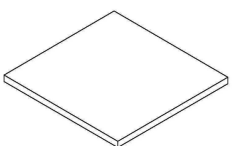
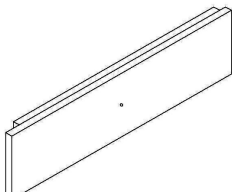
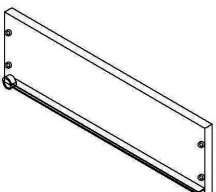
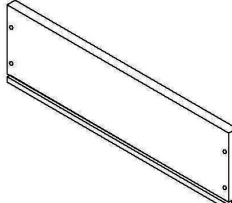
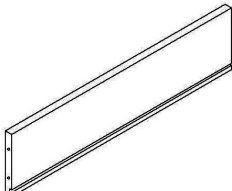
PO#



“Orion” TV/Media Stand

Parts List

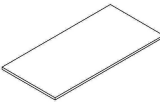
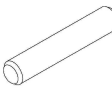
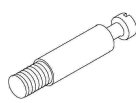
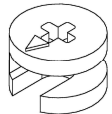

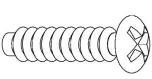
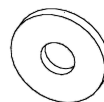
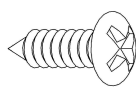
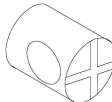
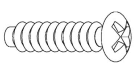
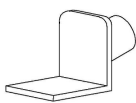
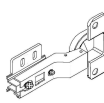
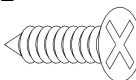


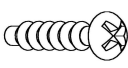
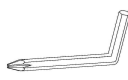
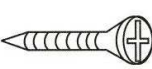
Please check packaging for all parts and hardware before discarding. Unpack and lay parts on clean, padded surface like carpet or blanket. Check that you have all parts indicated. Call customer service if hardware is missing. Before beginning assembly, carefully study the diagrams below and sort your hardware according to the pictures. Using the incorrect hardware will cause damage.

<p>1 Quantity Of 1</p>  <p>bottom panel</p>	<p>2 Quantity Of 4</p>  <p>support foot</p>	<p>3 Quantity Of 1</p>  <p>middle support foot</p>	<p>4 Quantity Of 1</p>  <p>left middle panel</p>
<p>5 Quantity Of 1</p>  <p>right middle panel</p>	<p>6 Quantity Of 1</p>  <p>lower fixed shelf</p>	<p>7 Quantity Of 1</p>  <p>upper fixed shelf</p>	<p>8 Quantity Of 1</p>  <p>left side panel</p>
<p>9 Quantity Of 1</p>  <p>right side panel</p>	<p>10 Quantity Of 1</p>  <p>top panel</p>	<p>11 Quantity Of 2</p>  <p>fixed bar</p>	<p>12 Quantity Of 1</p>  <p>left door</p>
<p>13 Quantity Of 1</p>  <p>right door</p>	<p>14 Quantity Of 1</p>  <p>upper back panel</p>	<p>15 Quantity Of 1</p>  <p>lower back panel</p>	<p>16 Quantity Of 2</p>  <p>adjustable shelf</p>
<p>17 Quantity Of 1</p>  <p>drawer face panel</p>	<p>18 Quantity Of 1</p>  <p>drawer left side panel</p>	<p>19 Quantity Of 1</p>  <p>drawer right side panel</p>	<p>20 Quantity Of 1</p>  <p>drawer back panel</p>

“Orion” TV/Media Stand

Parts List

Please check packaging for all parts and hardware before discarding. Unpack and lay parts on clean, padded surface like carpet or blanket. Check that you have all parts indicated. Call customer service if hardware is missing. Before beginning assembly, carefully study the diagrams below and sort your hardware according to the pictures. Using the incorrect hardware will cause damage.

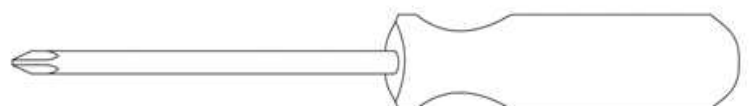
<p>21 Quantity Of 1</p>  <p>drawer bottom panel</p>			
<p>A Quantity Of 24</p>  <p>wood dowel</p>	<p>B Quantity Of 24</p>  <p>cam bolt</p>	<p>C Quantity Of 24</p>  <p>cam lock</p>	<p>D Quantity Of 16</p>  <p>sticker cover</p>
<p>E Quantity Of 4</p>  <p>bolt Dia: 1/4" x 1-3/4"</p>	<p>F Quantity Of 4</p>  <p>washer</p>	<p>G Quantity Of 26</p>  <p>screw for back</p>	<p>H Quantity Of 8</p>  <p>nut</p>
<p>I Quantity Of 8</p>  <p>bolt for drawer</p>	<p>J Quantity Of 8</p>  <p>shelf holder</p>	<p>K Quantity Of 4</p>  <p>hinge</p>	<p>L Quantity Of 24</p>  <p>screw for hinge</p>
<p>M Quantity Of 2</p>  <p>door knob</p>	<p>N Quantity Of 1</p>  <p>drawer knob</p>	<p>O Quantity Of 5</p>  <p>bolt for knob</p>	<p>P Quantity Of 1</p>  <p>allen wrench</p>
<p>Q Quantity Of 4</p>  <p>screw</p>			

Care and Cleaning Instructions:

Before using, wipe with a clean, dry cloth. Periodically apply furniture wax to renew the finish. Avoid rubbing or scratching the surface with rough or abrasive objects.

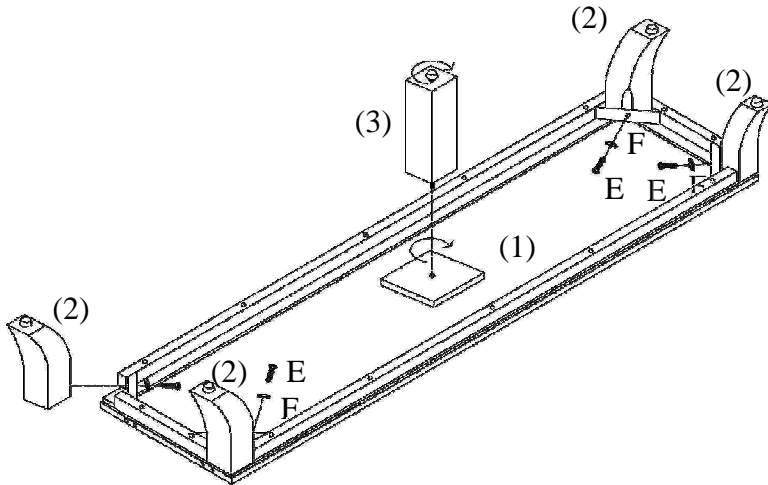
For replacement parts or questions, please call customer service at 1-800-633-5096.

**Assembly Tool Required
No. 2 Phillips Screwdriver
(Not Included)**



“Orion” TV/Media Stand

Assembly Instructions

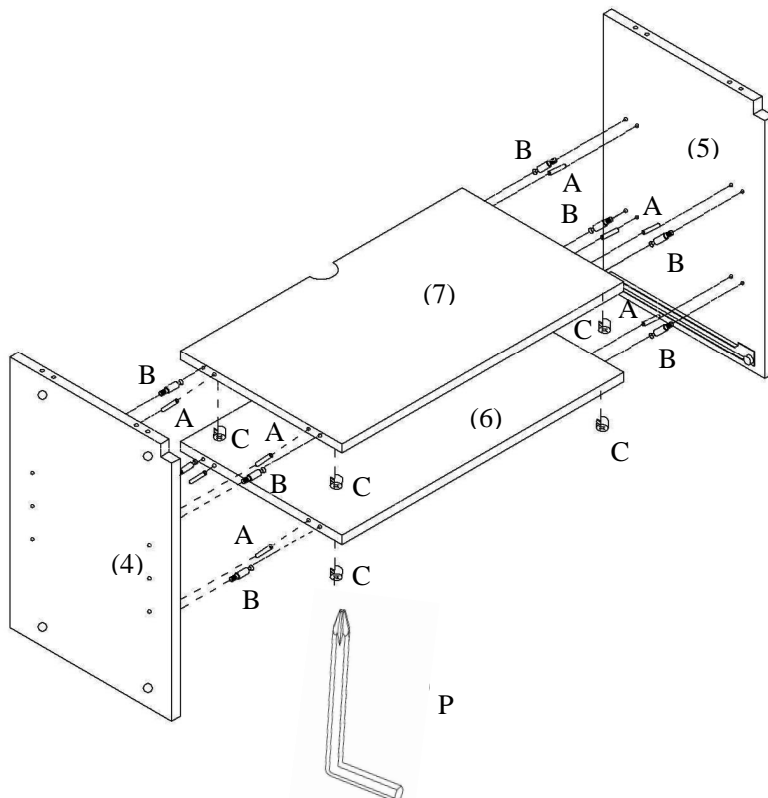


Insert 4 pcs bolts (E) through 4pcs flat washers (F) to connect support feet (2) to bottom panel (1).

Tighten bolts (E) with phillips screwdriver.

Tighten middle support foot (3) into the bottom panel (1).

Figure 1



Insert 8 pcs cam locks (C) into holes on fixed shelf (6) and fixed shelf (7). Screw 8 pcs cam bolts (B) into holes on left middle panel (4) and right middle panel (5). Attach left middle panel (4) and right middle panel (5) to fixed shelf panel (6) and (7) by inserting wood dowels (A) and cam bolts (B) into corresponding holes until all panels meet.

Tighten by rotating cam locks (C) clockwise with phillips screwdriver.

Figure 2

“Orion” TV/Media Stand

Assembly Instructions

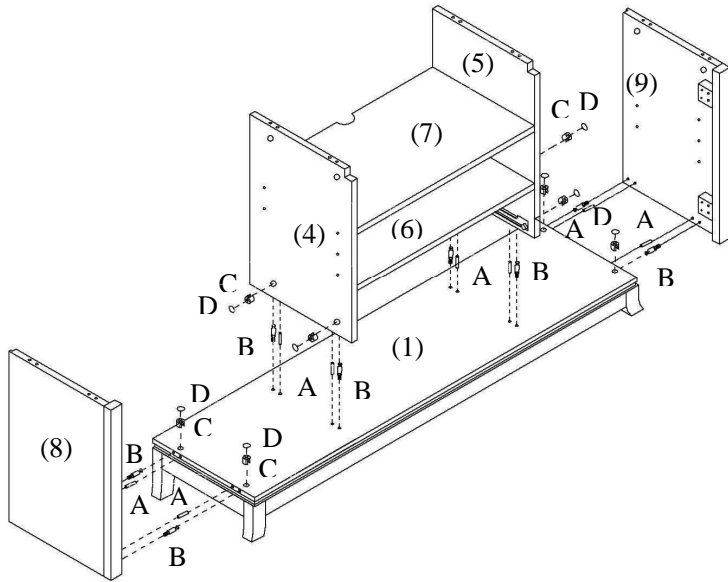


Figure 3

Insert 8 pcs cam locks (C) into holes on assembled unit and bottom panel (1). Screw 8 pcs cam bolts (B) into holes on bottom panel (1) and two side panels (8) and (9). Attach assembled unit to bottom panel (1) by inserting wood dowels (A) and cam bolts (B) into corresponding holes until assembled unit and bottom panel (1) meet.

Attach left side panel (8) and right side panel (9) to assembled unit by inserting wood dowels (A) and cam bolts (B) into corresponding holes until side panels (8), (9), and assembled unit meet.

Tighten by rotating cam locks (C) clockwise with phillips screwdriver.

Cover cam lock holes with sticker covers (D).

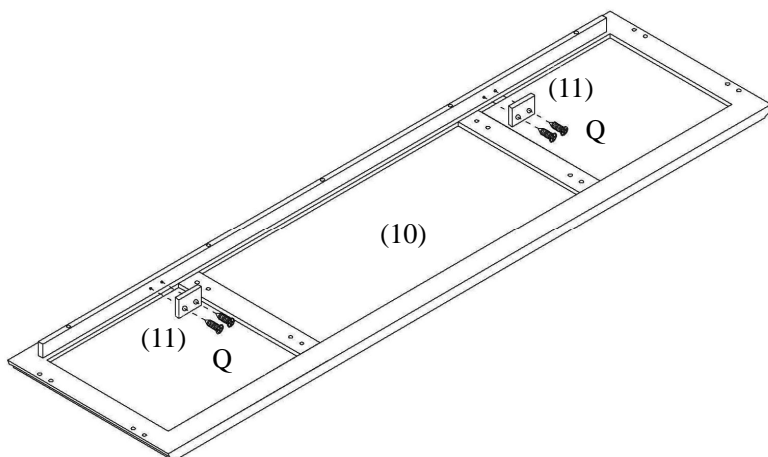


Figure 4

Use screws (Q) to connect fixed bar (11) to top panel (10).

Tighten screws (Q) with phillips screwdriver.

“Orion” TV/Media Stand

Assembly Instructions

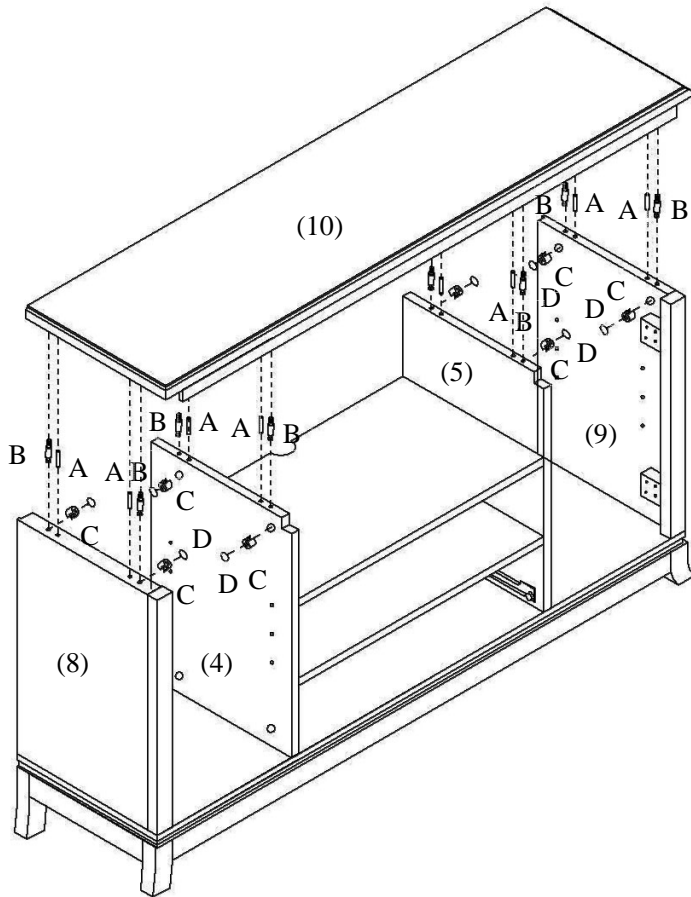


Figure 5

Insert 8 pcs cam locks (C) into holes on assembled unit. Screw 8 pcs cam bolts (B) into holes on top panel (10). Attach top panel (10) to assembled unit by inserting wood dowels (A) and cam bolts (B) into corresponding holes until to panel (10) and assembled unit meet.

Tighten by rotating cam locks (C) clockwise with allen wrench (P).

Cover cam lock holes with sticker covers (D).

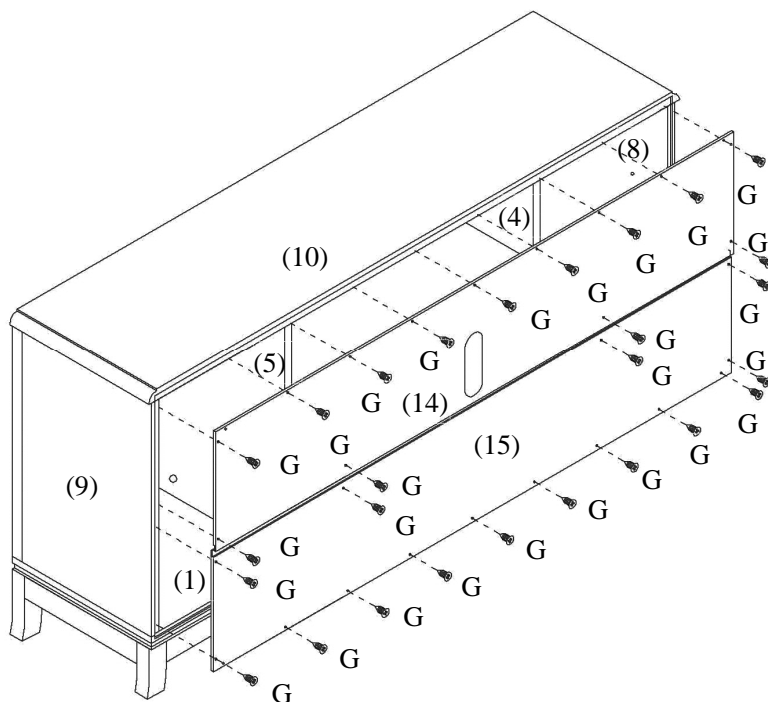


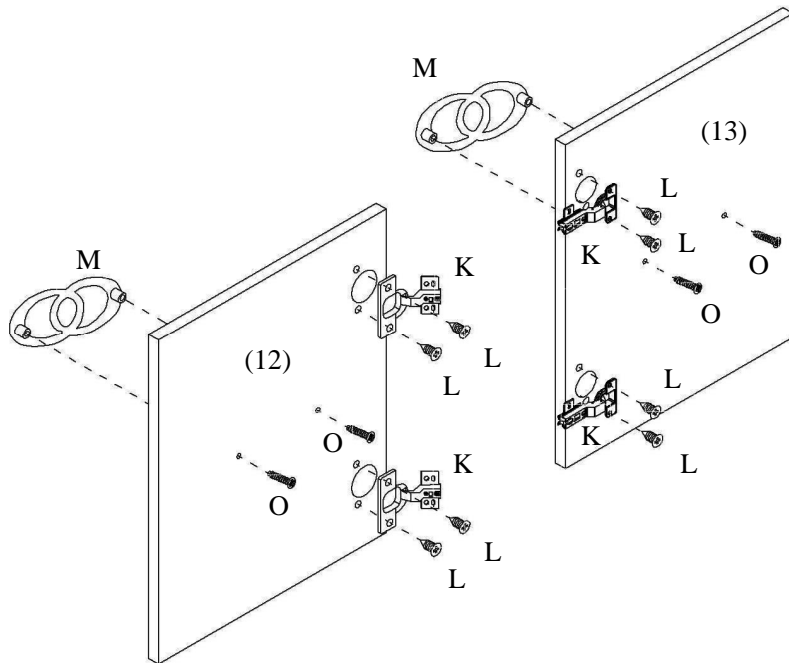
Figure 6

Insert upper back panel (14) and lower back panel (15) into grooves in the back of assembled unit.

Tighten screws (G) with phillips screwdriver.

“Orion” TV/Media Stand

Assembly Instructions

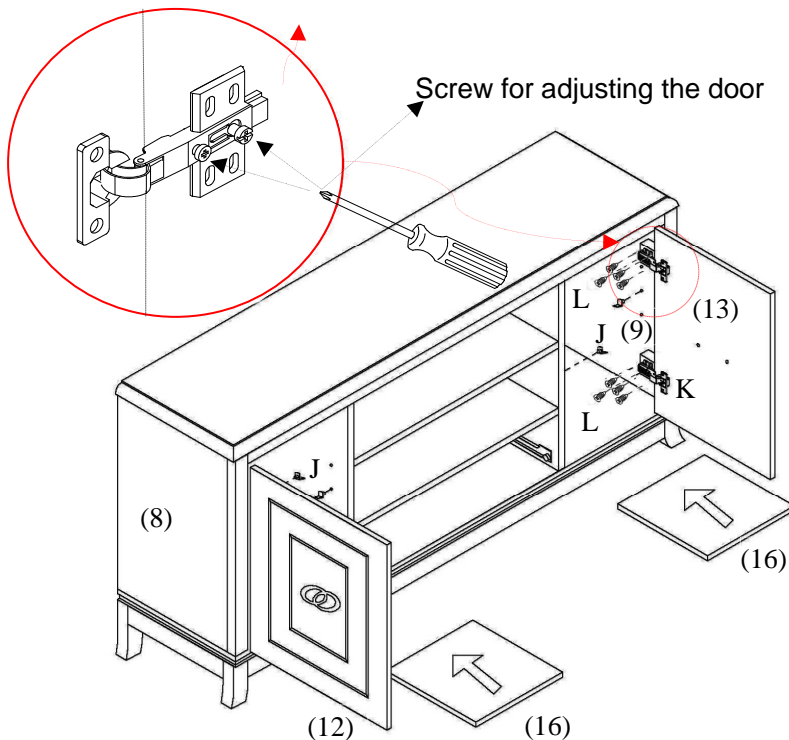


Use screws (L) to connect hinges (K) to doors (12) and (13). Tighten screws (L) with phillips screwdriver.

Use bolts (O) to connect knob (M) to doors (12) and (13). Tighten bolts (O) with phillips screwdriver.

Figure 6

You may need to adjust the door by tightening or loosening the two screws on the hinge.



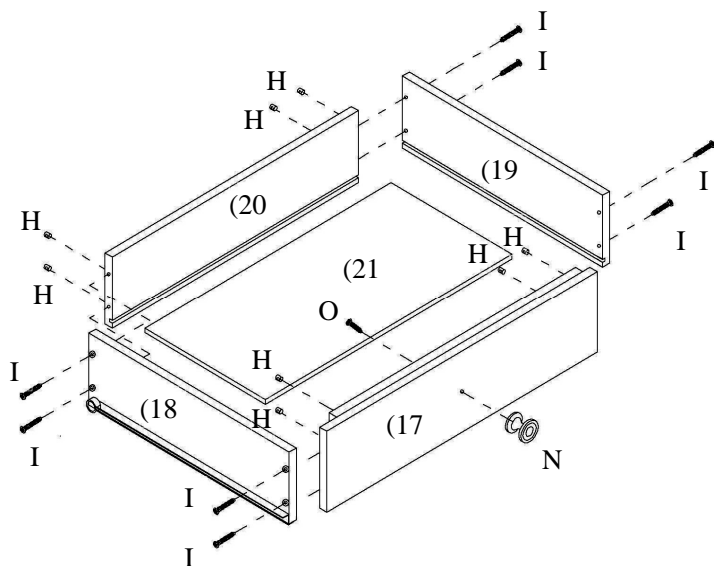
Use screws (L) to connect left door (12) and right door (13) to left side panel (8) and right side panel (9). Tighten screws (L) with phillips screwdriver.

Insert shelf holders (J) into desired holes of middle panels (4) (5) and side panel (8) and (9). Then place middle adjustable shelf (16) onto the shelf holders (J).

Figure 7

“Orion” TV/Media Stand

Assembly Instructions



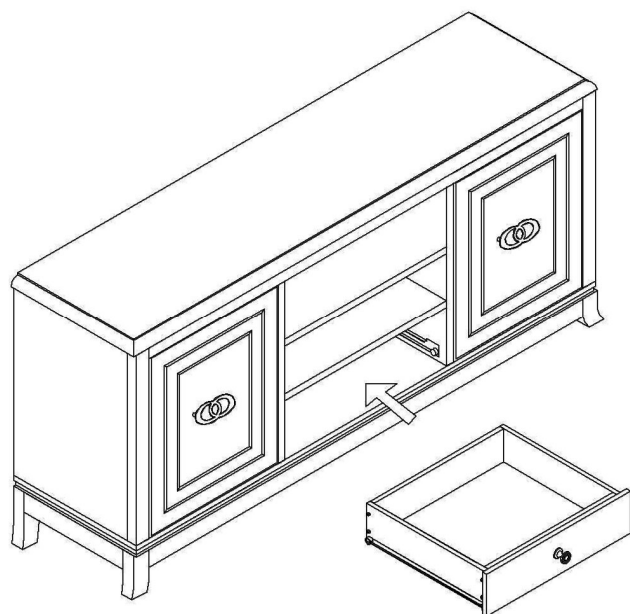
Insert nuts (H) into holes on drawer face panel (17).

Attach drawer side panels (18) and (19) to drawer face panel (17) with bolts (I). Tighten bolts (I) with phillips screwdriver.

Insert the drawer bottom panel (21) into inner grooves of drawer side panel (18), (19) and drawer face panel (17).

Insert nut (H) into holes on drawer back panel (20), then attach drawer back panel (20) to ends of drawer side panels (18) and (19). Tighten bolts for drawer (I) with phillips screwdriver.

Use bolt (O) to connect knob (N) to drawer face panel (17). Tighten bolt (O) with phillips screwdriver.



Insert drawer into assembled unit as shown in figure 9.

Now your new TV/Media stand is ready to use.

Parts Replacement Form

Customer Information

Name _____

Address _____

City/State/Zip Code _____

Phone Number _____

Please indicate where you purchased this item: Store/Website/Catalog

Please indicate color/size/style number:

Style No	Parts Letter	Parts Description	Quantity Needed
_____	_____	_____	_____
_____	_____	_____	_____
_____	_____	_____	_____

Please immediately examine this product carefully. Any request for missing parts or damage replacement must be received within 90 days of your receipt of the product. Replacement, if available, will be honored within this time frame. Parts will not be available for items arriving fully assembled. We do not recommend modifying product(s) and we are not responsible for any damages due to product modification(s). If damages or missing parts are not reported within 90 days of your receipt, we are under no obligation to provide parts or replacement merchandise.

Please contact Southern Enterprises at 800-633-5096 or in Dallas 972-869-0111/ 9am – 4pm Mon-Fri Central time if you have product issues or email us at service@seidal.com. Please ask for customer service representative for issues involving damages or replacement parts. Please ask for technical assistance representative for any issues with product and assembly/construction.

Please contact the retailer that you purchased from for returns.



Southern
ENTERPRISES

Customer Service 1-800-633-5096

service@seidal.com

Southern Enterprises, Inc.

600 Freeport Parkway, Suite 200

Coppell, Texas 75019



CAUTION

The top shelf is intended for a flat screen television with a maximum overall width of 58" and supports up to 175 lb.

The top shelf is NOT INTENDED for tube televisions.

Each shelf should not be loaded with more than 20 lb. Each drawer box should not be loaded with more than 10 lb.

DO NOT EXCEED RECOMMENDED LOAD. Use with products heavier than the maximum size and weight indicated may result in instability causing possible injury.

This unit contains a permanent warning sticker located on under side of top shelf or inside drawer.

Do not allow children under 16 years to move the cart.

Model: MS994100TX
"Orion" TV/Media Stand
Southern Enterprises, Inc
600 Freeport Parkway,
Suite 200 Coppell, Texas, 75019
Manufacture Date: 12/31/2010