

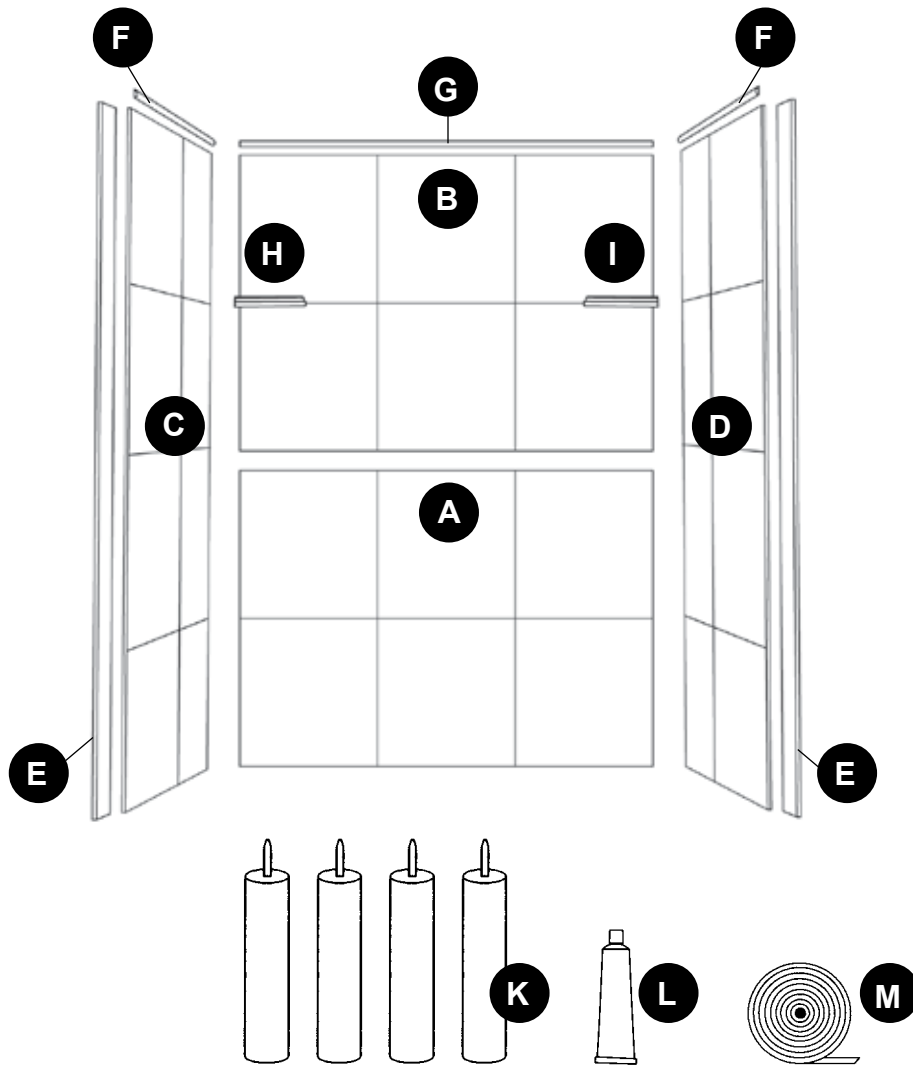
**ATTACH YOUR RECEIPT HERE**

Serial Number \_\_\_\_\_ Purchase Date \_\_\_\_\_



**Questions, problems, missing parts?** Before returning to your retailer, call our customer service department at 1-877-888-8225, 8 a.m. - 8 p.m., EST, Monday - Friday.

# PACKAGE CONTENTS



PART	DESCRIPTION	QUANTITY
A	Lower Back Panel	1
B	Upper Back Panel	1
C	Left Side Panel	1
D	Right Side Panel	1
E	Front Edge Trim	2
F	Side Molding	2
G	Back Molding	1
H	Left Shampoo Shelf	1
I	Right Shampoo Shelf	1
K	Silicone Adhesive	4
L	Mounting Adhesive	1
M	Installation Tape	1

## SAFETY INFORMATION

---

Please read and understand this entire manual before attempting to assemble or install the product.

### **WARNING**

- Always wear safety glasses or eye protection when using power tools. Use a dust mask or respirator for applications that generate dust.
- DO NOT proceed if any doubt arises about the correct or safe method of performing anything found in this manual. The installation of this product can require the use of power tools. Do not use power tools without adequate training. If necessary, hire or consult a trained professional for expert assistance before continuing.

### **CAUTION**

Use care when opening the box so that you do not damage the panels.

Store panels in a flat area to avoid warpage until the time of installation. Do not store the panels outside of the original packaging in a vertical position.

Make sure the walls are the correct size and are in good condition. Installation of damaged product will void the warranty.

### **PREPARATION**

---

Before beginning assembly of product, make sure all parts are present. Compare parts with package contents list and hardware contents list. If any part is missing or damaged, do not attempt to assemble the product.

**Estimated Assembly Time:** 120 minutes

Tools Required for Assembly (not included): Level, Tape Measure, Pencil, Compass Scribe, Circular Saw, Sanding Block, Shims, Drill and 3/8 in. Drill Bit, 1/2 in. Hole Saw, Caulk Gun, Safety Glasses, Dust Mask, Saber Saw, Denatured Alcohol, Clean Shop Towels, Masking Tape

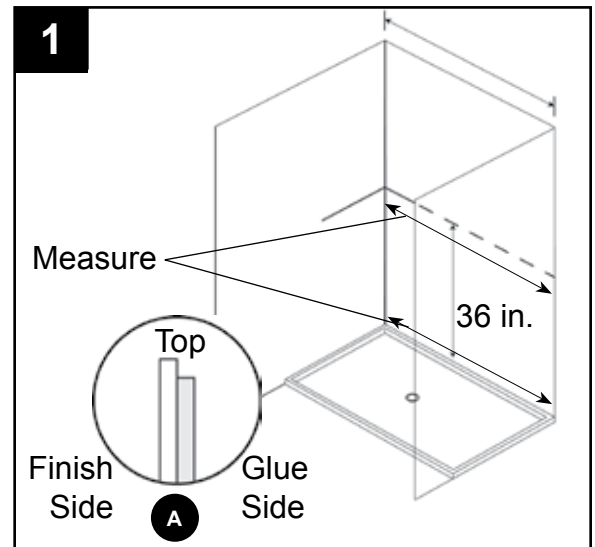
Helpful Tools (not included): 2 in. x 4 in. Wood Bracing

Prepare the area with moisture-resistant drywall, marine-grade plywood or tile backer board. Never install directly on any wall construction that is or may become damp. When installing over ceramic tile, check for loose tiles. If you find any, correct the problem. Make sure the area to be covered is uniform in support. If not, build up the areas without tile. Remove the bottom row of tile and cut a ventilation gap in the substrate. On every installation, make sure there is a 1/2 in. clearance between the top of the shower base and the bottom of the substrate. This will allow for ventilation and keep water leaks from wicking up the substrate.

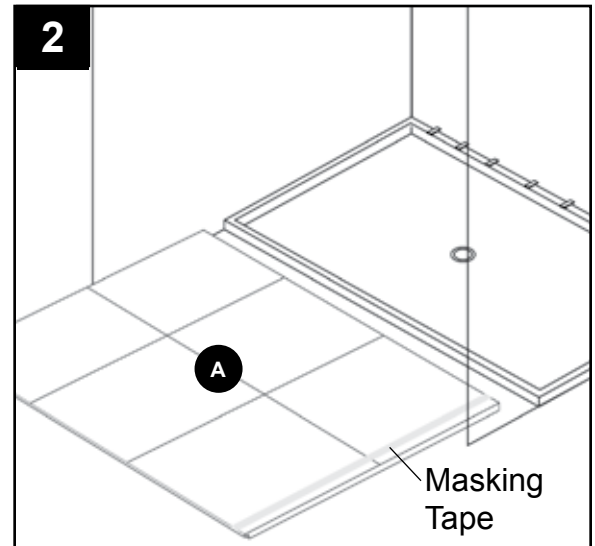
## ASSEMBLY INSTRUCTIONS

### 1. LOWER BACK PANEL

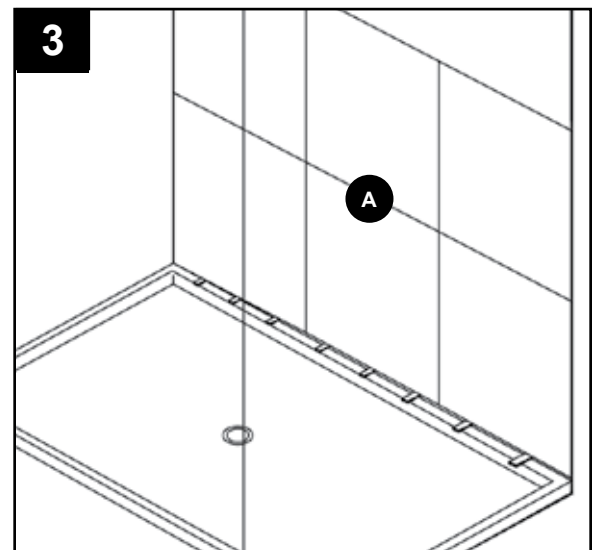
Determine the width of the lower back wall panel (A) by measuring from the top of the shower base and up 36 in. from the top of the shower base. Measure the width of the opening from these points. Note: If the wall is not square, you can use cardboard (not included) to create a template of the wall and transfer the data to the lower back panel (A). The 1/4 in. extension on the lower back panel (A) is at the top of the panel.



2. Check the measurements, and then place masking tape (not included) over the area where the saw (not included) will contact the finished side of the lower back panel (A). Cut the lower back panel (A), and make any final adjustments to the cuts with a sanding block (not included).

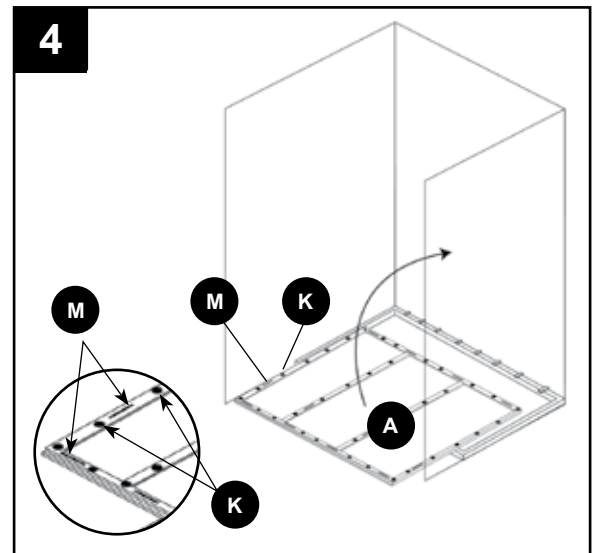


3. If needed, place 1/16 in. thick shims (not included) at the base of the lower back panel's (A) installation site. Trial fit the lower back panel (A) on the shims and use a sanding block if any fine adjustments are needed. Remove lower back panel (A) from wall and clean the back of the lower back panel (A), the wall board and any other area that will be in contact with the silicone (K) with denatured alcohol and a clean rag (both not included).



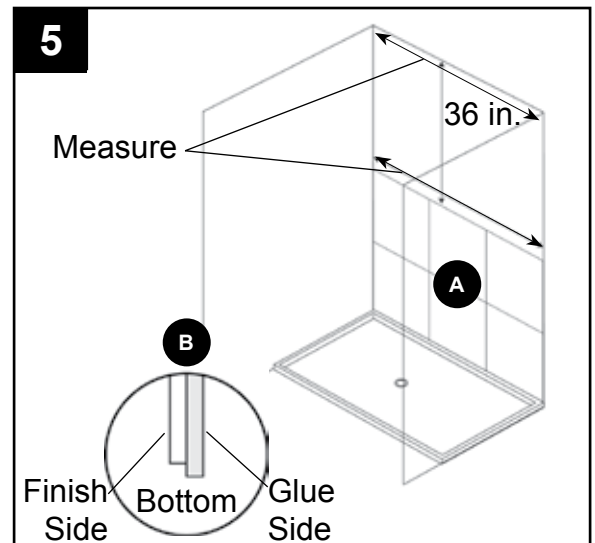
## ASSEMBLY INSTRUCTIONS

4. Cut twelve 4-in. strips of installation tape (M) and place them on lower back panel (A) where indicated in figure 4. Apply silicone adhesive (K) in 3/4 in. diameter dots every 6-7 in. apart over the surface of the reinforcement strips on the back of lower back panel (A). Place the lower back panel in place and press firmly.

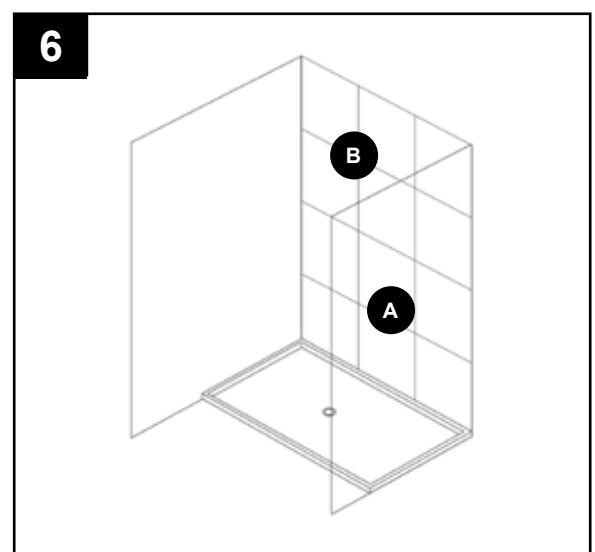


### 5. UPPER BACK PANEL

Determine the width of the upper back wall panel (B) by measuring from the top of the lower back panel (A) and 36 in. up from the top of the lower back panel (A). Repeat steps 1 and 2 for upper back panel (B), noting the 1/4 in. extension on upper back panel (B) is at the bottom.

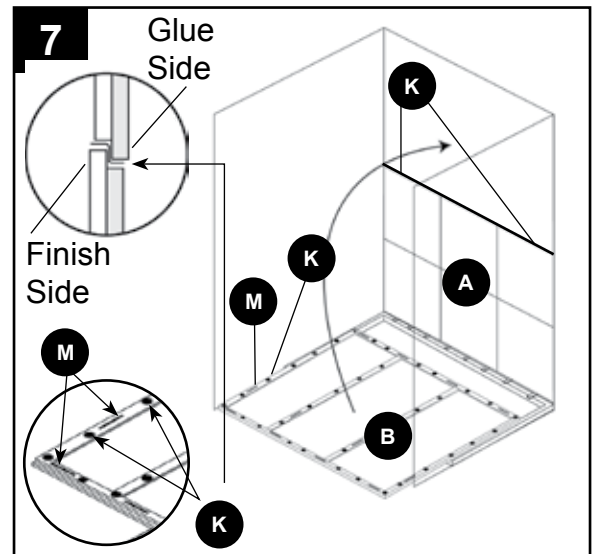


6. Trial fit the upper back panel (B) on top of the lower back panel (A) and use a sanding block (not included) if any fine adjustments are needed. Remove upper back panel (B) from the wall and clean the back of the upper back panel (B), the wall board and any other area that will be in contact with the silicone (K) with denatured alcohol and a clean rag (both not included).



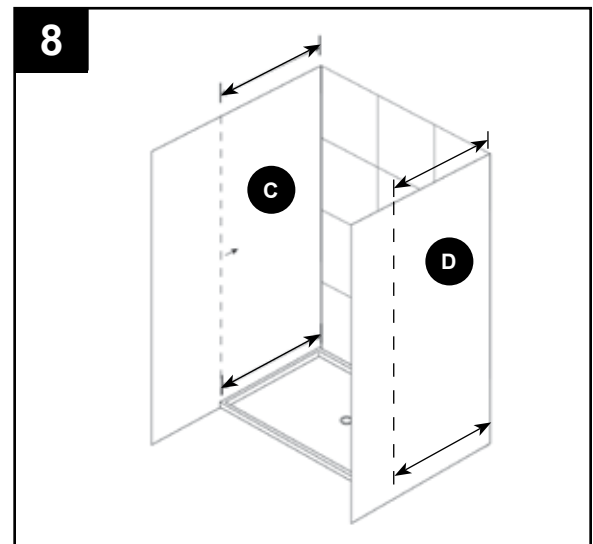
## ASSEMBLY INSTRUCTIONS

7. Cut twelve 4-in. strips of installation tape (M) and place them on upper back panel (B) where indicated in figure 7. Apply silicone adhesive (K) in 3/4 in. diameter dots every 6-7 in. apart over the surface of the reinforcement strips on the back of upper back panel (B). Apply a bead of silicone adhesive (K) into the area where the lower back panel (A) and upper back panel (B) connect. Place the upper back panel (B) into the lower back panel (A) and press firmly together and against the substrate.

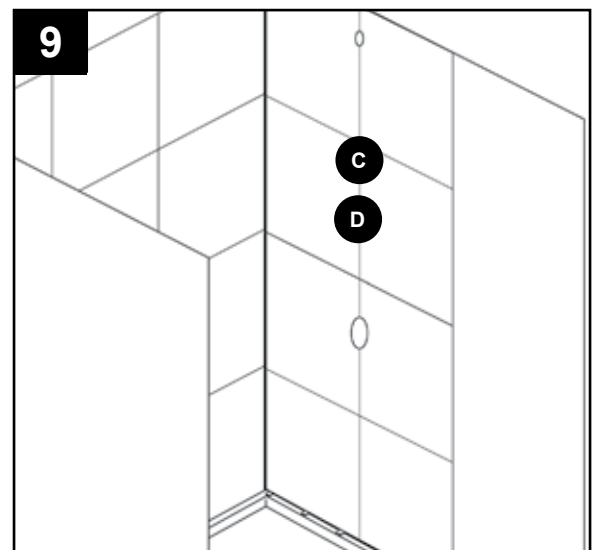


### 8. SIDE PANEL

- Measure from the back wall at the top and the bottom of the back panel assembly to the edge of the shower base. The front edge trim (E) extends the left side panel (C) and right side panel (D) width by a minimum of 1/2 in. to a maximum of 1-1/2 in., so the left side panel (C) and right side panel (D) width needs to be cut a minimum of 1/2 in. shorter than your desired finished side wall dimension. Note: If the wall is not square, you can use cardboard to create a template of the wall and transfer the data to the left side panel (C) and right side panel (D). Be certain to use left side panel (C) on the left side of the installation site and right side panel (D) on the right side to ensure proper tile pattern layout.

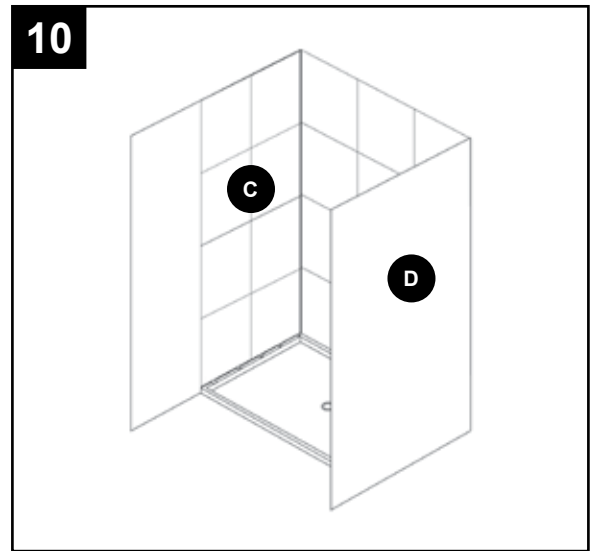


9. If no plumbing holes exist on side panel, proceed to step 10. Locate the locations of the plumbing holes and transfer the data to either left side panel (C) or right side panel (D). Cut the holes a minimum of 1/4 in. larger than the pipe diameters. Note: To avoid possible breakage, all inside corners of cutouts should have a minimum 1/4 in. radius. Use masking tape (not included) to protect the area where the cutting tool will contact the finished surface.

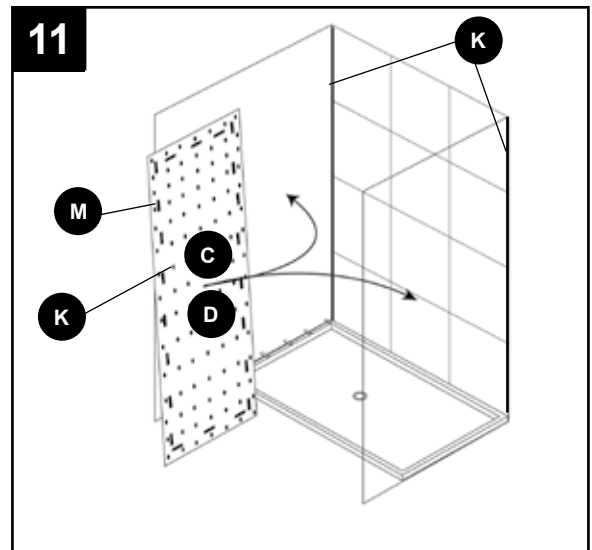


## ASSEMBLY INSTRUCTIONS

10. If needed, place 1/16 in. thick shims at the base of the left side panel (C) and right side panel (D) installation site. Trial fit the left side panel (C) and right side panel (D) on the shims and use a sanding block if any fine adjustments are needed. Clean the back of the left side panel (C) and right side panel (D), the wall board and any other area that will be in contact with the silicone adhesive (K) with denatured alcohol and a clean rag (not included).

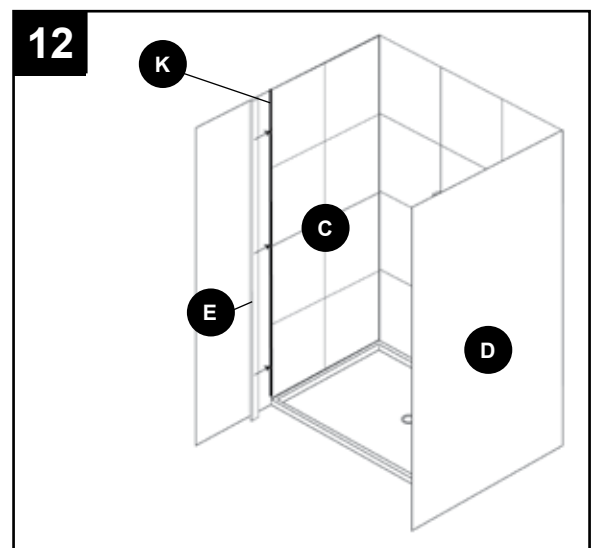


11. Cut twenty-two 4-in. strips of installation tape (M) and place them around the perimeter of left side panel (C) and right side panel (D), 2 in. from the edge and approximately 6-7 in. apart. Apply silicone adhesive (K) in 3/4 in. diameter dots every 6-7 in. apart over the back surface of the left side panel (C) and right side panel (D). Apply a thin bead of silicone adhesive (K) in the corner of the back wall assembly. Place left side panel (C) and right side panel (D) in place and press firmly. Clean up any excess silicone adhesive (K) with denatured alcohol while the silicone adhesive (K) is still wet.



### 12. FRONT EDGE TRIM

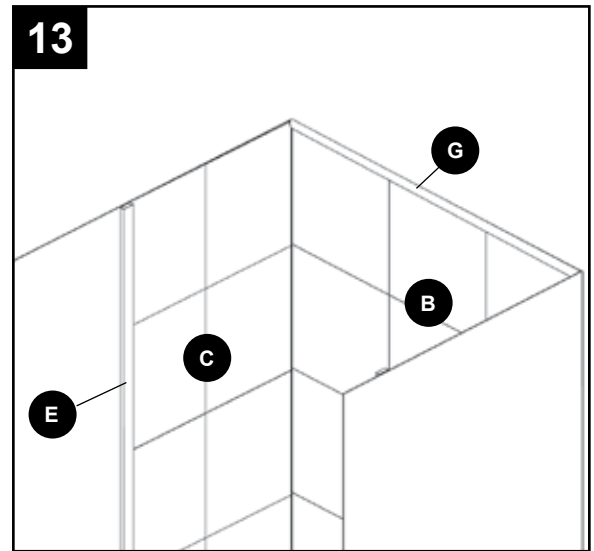
Place three 4 in. pieces of installation tape (M) at the top, middle and bottom of each front edge trim (E). Apply a continuous bead of silicone (K) along the front edge of left side panel (C) and right side panel (D), approximately 1/4 in. from the edge. Attach the front edge trims (E) to the front edges of left side panel (C) and right side panel (D) and press firmly to secure in place.



## ASSEMBLY INSTRUCTIONS

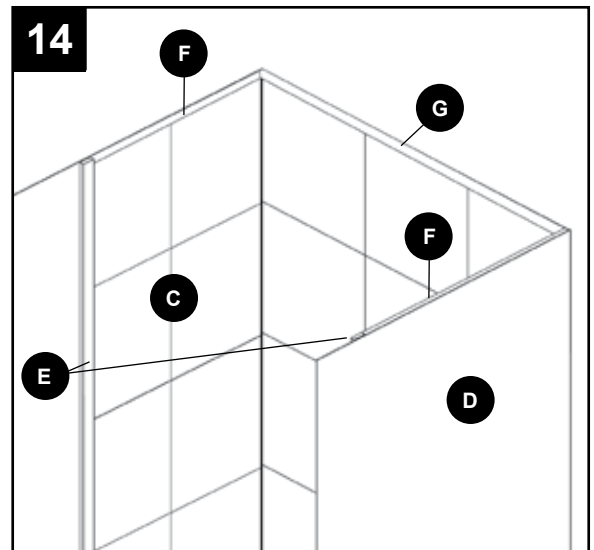
### 13. BACK BULLNOSE MOLDING

Measure the width at the top of the back wall panel assembly and cut the back bullnose molding (G) to match the measurement. Trial fit the back bullnose molding (G) on upper face of the back wall panel (B) assembly and adjust as needed. Apply silicone adhesive (K) to the face of the top of the back wall panel assembly and place the back bullnose molding (G) on upper face of the back wall panel (B) firmly. Note: Use masking tape (not included) to hold the back bullnose molding (G) in place while the silicone adhesive (K) cures.

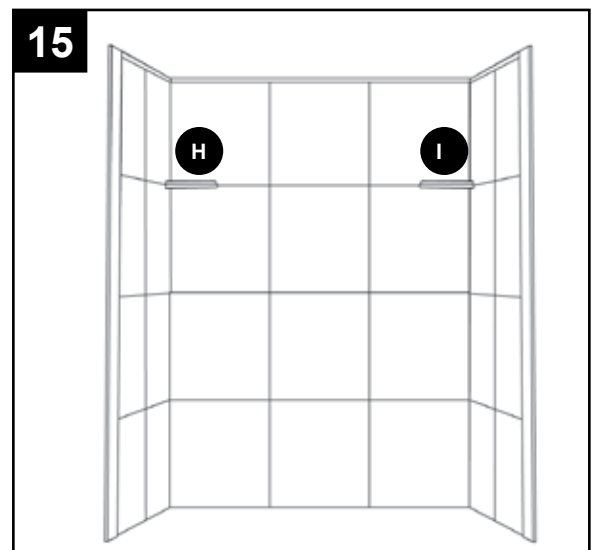


### 14. SIDE BULLNOSE MOLDING

Measure from the back wall panel assembly to the back of the front edge trim (E). Note: One end of side bullnose molding (F) is coped to fit over the back bullnose molding (G). Cut from the flat end of the side bullnose molding (F) to achieve the desired, correct measurement. Trial fit the side bullnose moldings (F) on upper face of the left side panel (C) and right side panel (D) and adjust as needed. Apply silicone adhesive (K) to the face of the top of the left side panel (C) and right side panel (D) and place the side bullnose molding (F) on the upper face firmly. Note: Use masking tape (not included) to hold the side bullnose molding (F) in place while the silicone (K) cures.



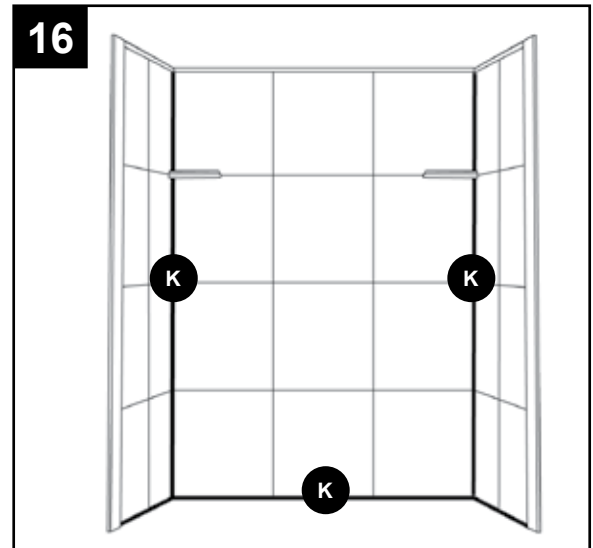
15. Install left shampoo shelf (H) and right shampoo shelf (I) with mounting adhesive (M). Note: The recommended installation height for the left shampoo shelf (H) and right shampoo shelf (I) is 54 in. from the top of the shower base. Trial fit left shampoo shelf (H) and right shampoo shelf (I) to ensure both sides are flat against the panels; adjust with a sanding block as needed. Clean the mounting area and the back of the left shampoo shelf (H) and right shampoo shelf (I), with denatured alcohol. Follow the mounting adhesive (M) manufacturer's instructions for installation.





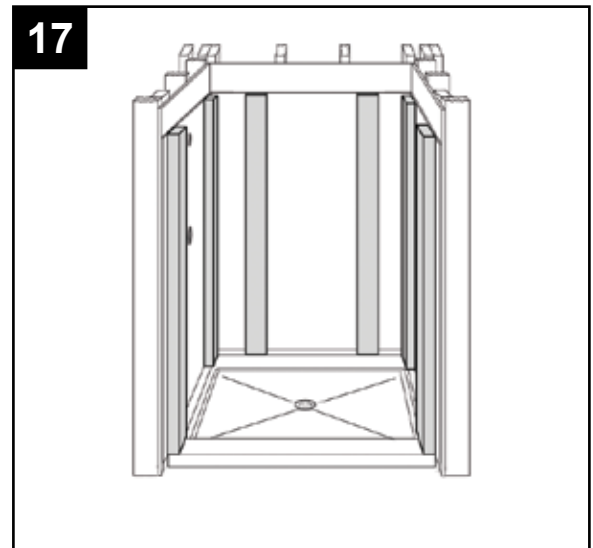
## ASSEMBLY INSTRUCTIONS

16. Once installation is complete, seal all the joints with silicone adhesive/sealant (K). Note: Clean all joints with denatured alcohol before applying a uniform bead of silicone adhesive to the joints.

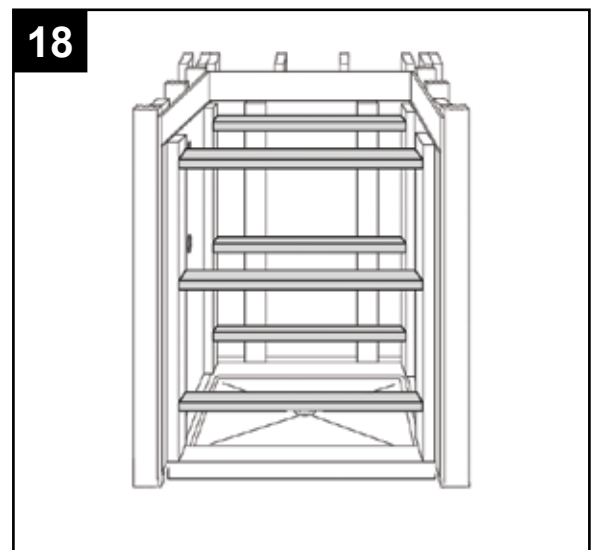


17. **OPTIONAL WOOD BRACING**

To hold the installed panels more securely against the walls, place two wood braces (not included) against the back wall. Place two wood braces (not included) against each side wall.

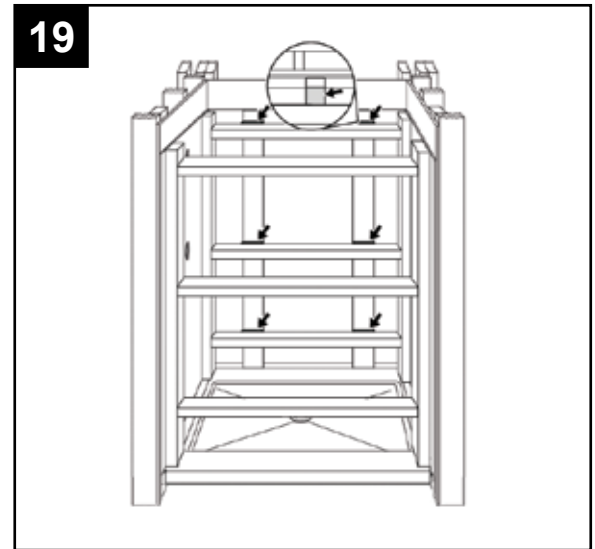


18. Wedge three horizontal wood braces (not included) against each left and right wall brace.



## ASSEMBLY INSTRUCTIONS

19. Insert small blocks (not included) between the rear panel braces and the back panel braces. These will apply pressure to the back panel to hold it in place. Remove the braces after 24 hours.



## CARE AND MAINTENANCE

Wipe the surface with a damp cloth or sponge. For basic stains, clean with mild detergent or general purpose cleaner. For cleaning corners and seams, spray with mildew cleaner. With regular maintenance spraying there should be no need to scrub any silicone caulk joints.

## TROUBLESHOOTING

PROBLEM	POSSIBLE CAUSE	CORRECTIVE ACTION
Panels not sticking to wall.	<ol style="list-style-type: none"><li>1. Surfaces not properly prepared for silicone adhesive/sealant.</li><li>2. Wall surface not flat for proper adhesion.</li></ol>	<ol style="list-style-type: none"><li>1. Clean surface thoroughly and reapply adhesive.</li><li>2. Use wood bracing support to form panel to wall surface.</li></ol>
Panels not fitting properly.	<ol style="list-style-type: none"><li>1. Existing wall surfaces out of plumb.</li><li>2. Improper trimming of wall panels.</li><li>3. Panel cut too small (less than 1/2 in.).</li></ol>	<ol style="list-style-type: none"><li>1. Scribe panels to fit.</li><li>2. Reorder miscut panel.</li><li>3. Order optional cove molding</li></ol>

## WARRANTY

The manufacturer provides a LIMITED TEN (10) YEAR WARRANTY for its solid surface tub and shower surrounds to be free of manufacturing defects in materials and workmanship. If this product is found to be defective in materials or workmanship, after inspection by an authorized representative, we will repair, or at our option, exchange the product for a similar model. This warranty is valid for a period of ten (10) years, so long as it remains in use in its original place of installation.

This warranty covers only products installed in accordance with the installation instructions, used as recommended and not damaged due to misuse, abuse or improper installation. It does not apply to any seams or changes made to the product by professional tradesmen or fabricators.

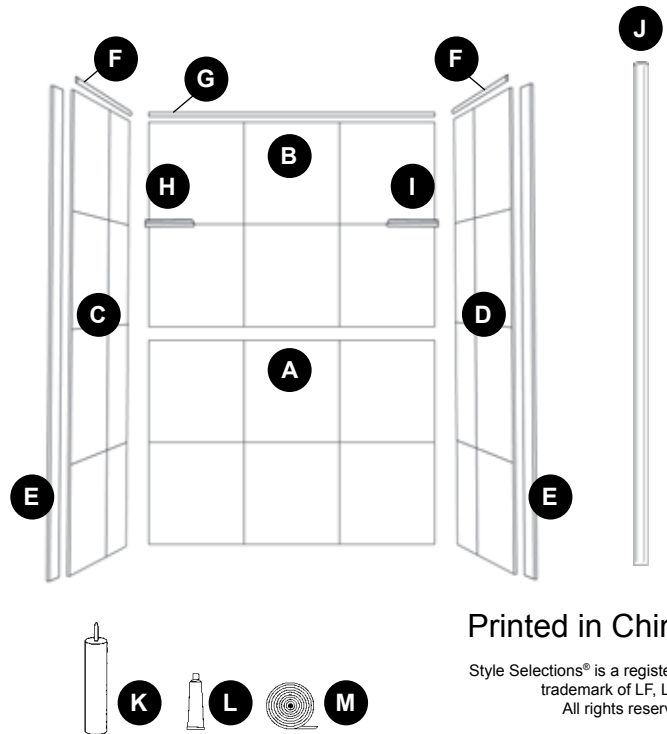
The warranty applies only to the original purchaser and installation of these products in residential applications. It does not apply to commercial applications.

The manufacturer's option to repair or exchange the products under this warranty does NOT cover any labor or other costs of removal or installations, nor shall the manufacturer be responsible for any other incidental or consequential damages attributable to a product defect or to the repair or exchange of a defective product.

## REPLACEMENT PARTS LIST

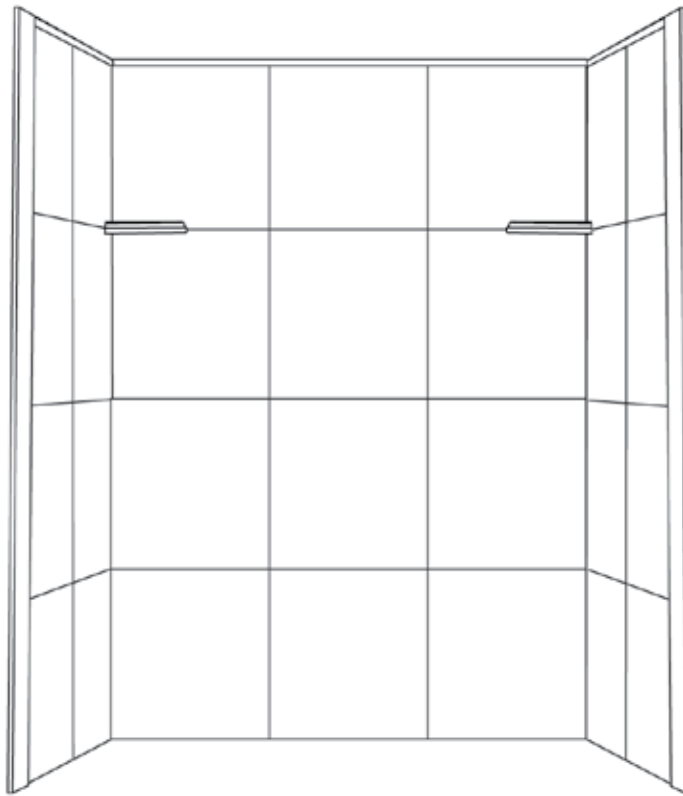
For replacement parts, call our customer service department at 1-877-888-8225, 8 a.m. - 8 p.m., EST, Monday - Friday

PART	DESCRIPTION	PART #
A	Lower Backwall Panel	150576-01-92
B	Upper Backwall Panel	150576-02-92
C	Left Side Panel	150576-03-92
D	Right Side Panel	150576-04-92
E	Front Edge Trim	150576-05-92
F	Side Bullnose Molding	150576-06-92
G	Back Bullnose Molding	150576-07-92
H	Left Shampoo Shelf	150576-08-92
I	Right Shampoo Shelf	150576-09-92
J	Cove Molding	150576-11-92
K	Silicone Adhesive	150576-12-00
L	Mounting Adhesive	150576-13-00
M	Installation Tape	150576-14-00



Printed in China

Style Selections® is a registered trademark of LF, LLC. All rights reserved.



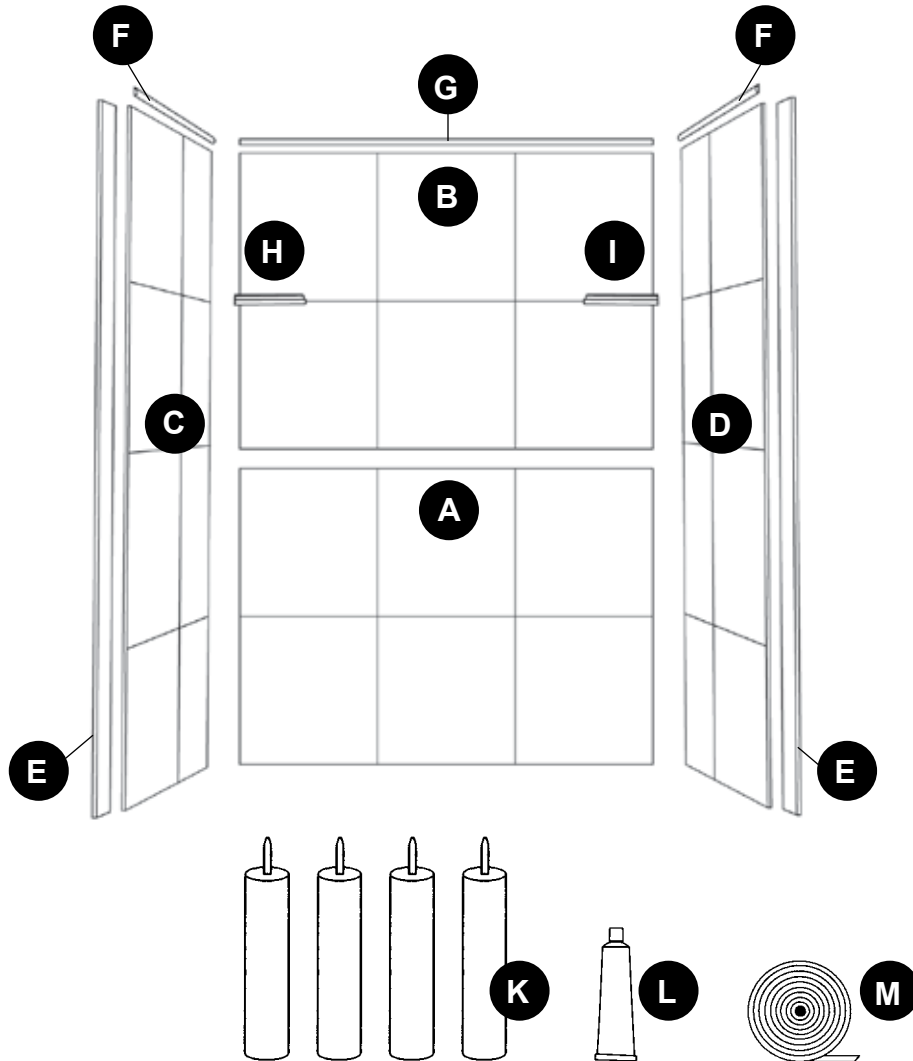
**JOIGNEZ VOTRE REÇU ICI**

Numéro de série \_\_\_\_\_ Date d'achat \_\_\_\_\_



**Des questions, des problèmes, des pièces manquantes?** Avant de retourner l'article au détaillant, appelez notre service à la clientèle au 1 877 888-8225, entre 8 h et 20 h (HNE), du lundi au vendredi.

## CONTENU DE L'EMBALLAGE



PIÈCE	DESCRIPTION	QUANTITÉ
A	Panneau inférieur arrière	1
B	Panneau supérieur arrière	1
C	Panneau latéral gauche	1
D	Panneau latéral droit	1
E	Garniture de rebord avant	2
F	Moulure latérale	2
G	Moulure arrière	1
H	Tablette pour shampooing gauche	1
I	Tablette pour shampooing droite	1
K	Adhésif à base de silicone	4
L	Adhésif de montage	1
M	Ruban d'installation	1



## CONSIGNES DE SÉCURITÉ

---

Assurez-vous de lire et de comprendre l'intégralité de ce manuel avant de tenter d'assembler ou d'installer le produit.

### AVERTISSEMENT

- Portez toujours des lunettes de sécurité lorsque vous utilisez un outil électrique. Portez un masque anti-poussières ou un appareil respiratoire lorsque vous effectuez des travaux qui génèrent de la poussière.
- Si vous éprouvez des doutes quant à la façon appropriée et sécuritaire d'effectuer toute manipulation indiquée dans le présent manuel, n'effectuez PAS cette manipulation. Il est possible que l'installation de ce produit nécessite l'utilisation d'outils électriques. N'utilisez jamais un outil électrique sans avoir reçu la formation adéquate. Au besoin, faites appel à un professionnel avant de continuer.

### MISE EN GARDE

Soyez prudent lorsque vous ouvrez la boîte afin d'éviter d'endommager les panneaux.

Rangez les panneaux sur une surface plate jusqu'au moment de l'installation afin d'éviter de les déformer. Ne rangez pas les panneaux en position verticale à l'extérieur de l'emballage original.

Assurez-vous que les parois sont de la taille appropriée et qu'elles sont en bon état. L'installation d'un produit endommagé annulera la garantie.

### PRÉPARATION

---

Avant de commencer l'assemblage du produit, assurez-vous d'avoir toutes les pièces. Comparez le contenu de l'emballage avec la liste des pièces et celle de la quincaillerie incluse. S'il y a des pièces manquantes ou endommagées, ne tentez pas d'assembler le produit.

**Temps d'assemblage approximatif : 120 minutes**

Outils nécessaires pour l'assemblage (non inclus) : niveau, ruban à mesurer, crayon, pointe à tracer, scie circulaire, bloc de ponçage, cales, perceuse avec foret de 3/8 po, scie cloche de 1/2 po, pistolet à calfeutrer, lunettes de sécurité, masque anti-poussières, scie sauteuse, alcool dénaturé, serviettes pour atelier propres et ruban-cache

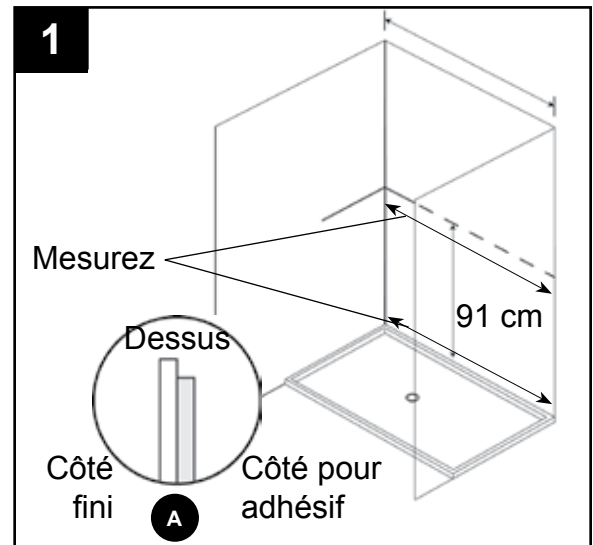
Outils utiles (non inclus) : renforts en bois de 2 po x 4 po

Préparez la surface à l'aide d'une cloison sèche résistant à la moisissure, de contreplaqué de qualité marine ou de panneaux d'appui pour carrelage. N'installez jamais l'article directement sur un mur susceptible de devenir humide. Si vous installez l'article sur des carreaux en céramique, vérifiez si des carreaux sont mal fixés. Si c'est le cas, corrigez le problème. Assurez-vous que la surface à couvrir offre un soutien uniforme. Si ce n'est pas le cas, nivelez les zones non carrelées par rapport aux zones carrelées. Retirez la rangée inférieure de carreaux et taillez une ouverture de ventilation dans le substrat. Pour chaque installation, assurez-vous qu'il y a un espace de 13 mm entre le haut de la base de la douche et le bas du substrat. Ceci permettra une ventilation adéquate et préviendra la pénétration capillaire du substrat en cas de fuite d'eau.

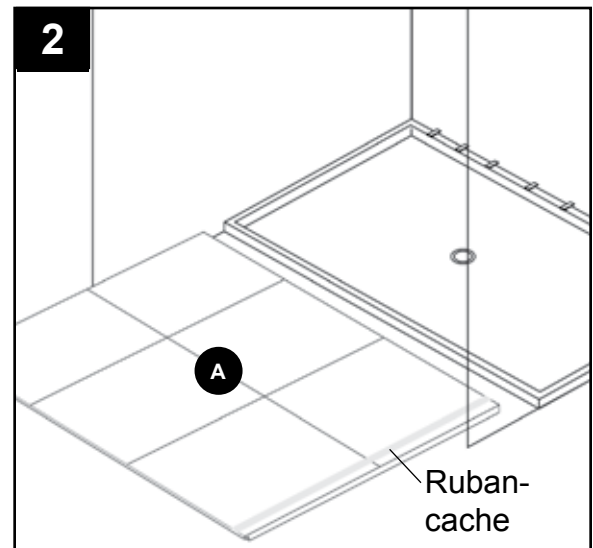
## INSTRUCTIONS DE MONTAGE

### 1. PANNEAU INFÉRIEUR ARRIÈRE

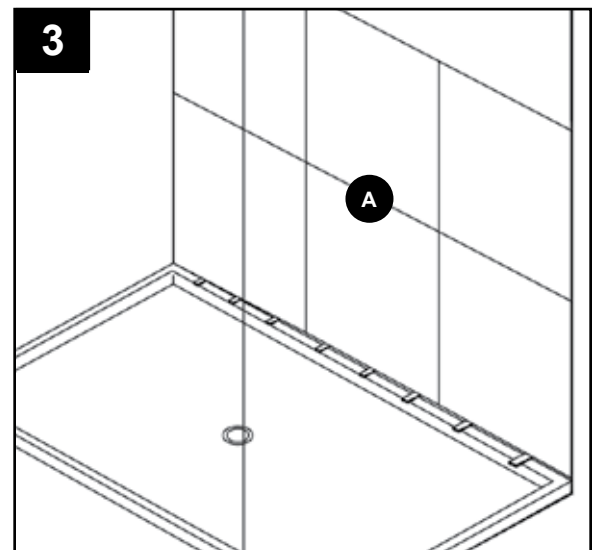
Déterminez la largeur du panneau inférieur arrière (A) en la mesurant au-dessus du haut de la base de la douche et à 91 cm au-dessus du haut de la base de la douche. (Mesurez la largeur de l'ouverture à ces endroits.) Remarque : Si le mur n'est pas d'équerre, vous pouvez créer un gabarit du mur à l'aide d'un carton (non inclus) et transférer les données au panneau inférieur arrière (A). La rallonge de 6 mm du panneau inférieur arrière (A) est située au haut de ce dernier.



2. Vérifiez les mesures, puis posez du ruban-cache (non inclus) sur la zone où la scie (non incluse) entrera en contact avec le côté fini du panneau inférieur arrière (A). Coupez le panneau inférieur arrière (A) et effectuez tout ajustement nécessaire à l'aide d'un bloc de ponçage (non inclus).

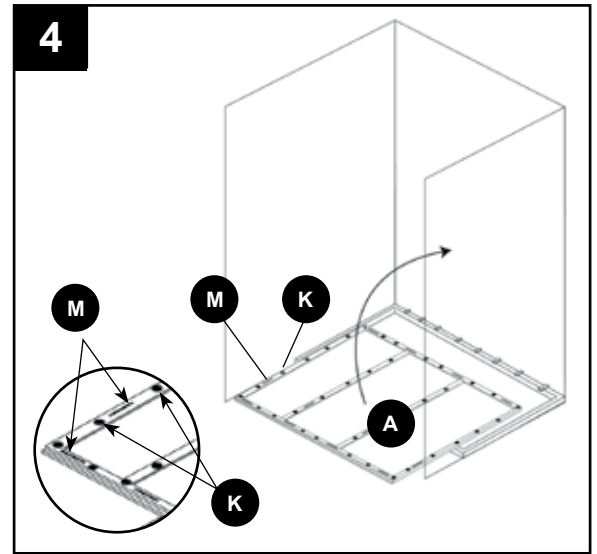


3. Au besoin, placez des cales d'une épaisseur de 1,6 mm (non incluses) au bas de l'emplacement du panneau inférieur arrière (A). Placez le panneau inférieur arrière (A) sur les cales et effectuez tout ajustement nécessaire à l'aide d'un bloc de ponçage. Retirez le panneau inférieur arrière (A) du mur et nettoyez l'arrière du panneau inférieur arrière (A), le panneau de revêtement mural et toute autre surface qui entrera en contact avec l'adhésif à base de silicone (K) à l'aide d'alcool dénaturé et d'un chiffon propre (non inclus).



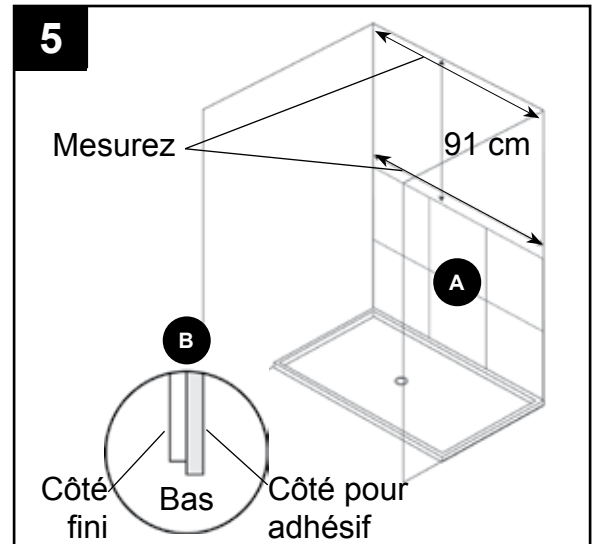
## INSTRUCTIONS DE MONTAGE

4. Coupez 12 bandes de ruban d'installation (M) de 10 cm et placez-les sur le panneau inférieur arrière (A), aux endroits indiqués sur la figure 4. Appliquez des pastilles d'adhésif à base de silicone (K) d'un diamètre de 19 mm à des intervalles de 15 cm à 18 cm sur la surface des bandes de renforcement situées à l'arrière du panneau inférieur arrière (A). Posez le panneau inférieur arrière en place et appuyez fermement.

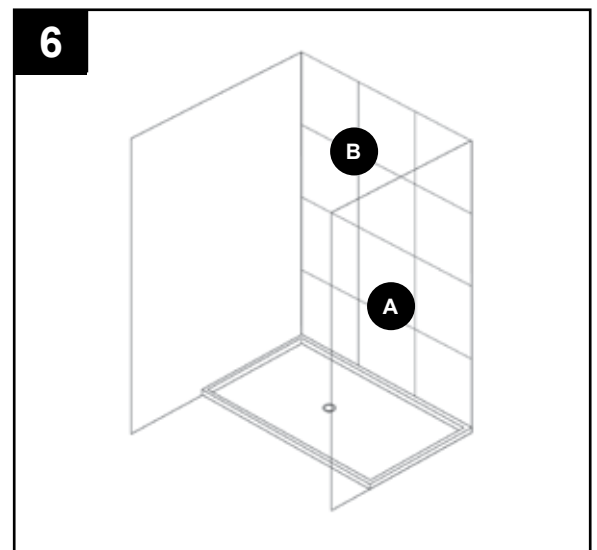


### 5. PANNEAU SUPÉRIEUR ARRIÈRE

Déterminez la largeur du panneau supérieur arrière (B) en la mesurant au-dessus du haut du panneau inférieur arrière (A) et à 91 cm au-dessus du haut du panneau inférieur arrière (A). Répétez les étapes 1 et 2 pour le panneau supérieur arrière (B). Veuillez noter que la rallonge de 6 mm du panneau supérieur arrière (B) est située au bas de ce dernier.



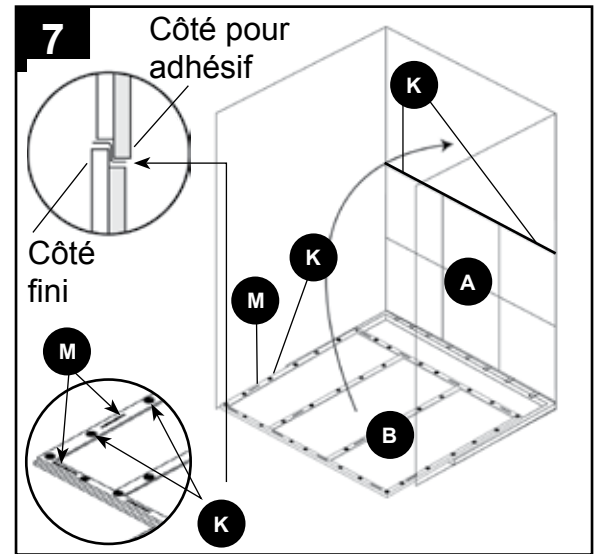
6. Placez le panneau supérieur arrière (B) sur le panneau inférieur arrière (A) et effectuez tout ajustement nécessaire à l'aide d'un bloc de ponçage (non inclus). Retirez le panneau supérieur arrière (B) du mur et nettoyez l'arrière du panneau supérieur arrière (B), le panneau de revêtement et toute autre surface qui entrera en contact avec l'adhésif à base de silicone (K) à l'aide d'alcool dénaturé et d'un chiffon propre (non inclus).





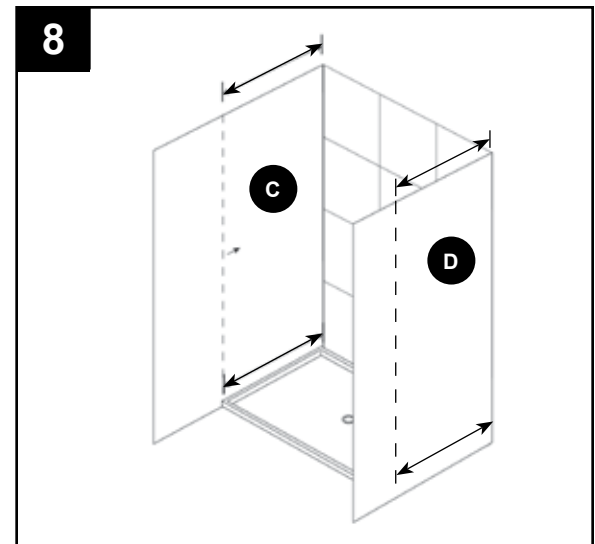
## INSTRUCTIONS DE MONTAGE

7. Coupez 12 bandes de ruban d'installation (M) de 10 cm et placez-les sur le panneau supérieur arrière (B), aux endroits indiqués sur la figure 7. Appliquez des pastilles d'adhésif à base de silicone (K) d'un diamètre de 19 mm à des intervalles de 15 cm à 18 cm sur la surface des bandes de renforcement situées à l'arrière du panneau supérieur arrière (B). Appliquez un trait d'adhésif à base de silicone (K) sur la zone où le panneau inférieur arrière (A) et le panneau supérieur arrière (B) se rejoignent. Insérez le panneau supérieur arrière (B) dans le panneau inférieur arrière (A), emboîtez-les solidement et appuyez-les fermement contre le substrat.

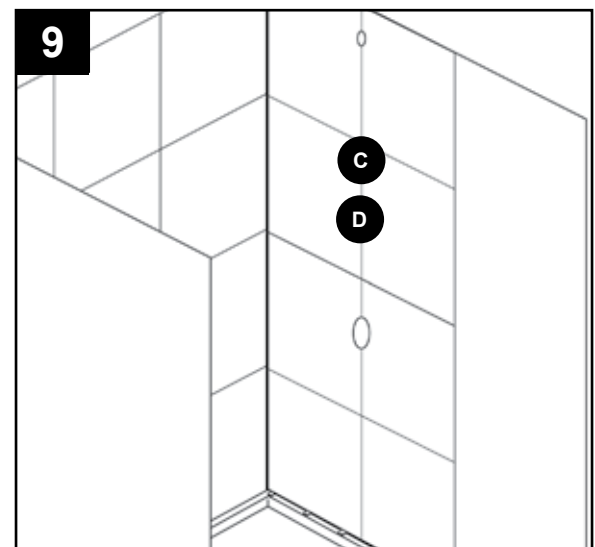


### 8. PANNEAU LATÉRAL

Mesurez la distance entre le mur arrière et le rebord de la base de la douche au haut et au bas de l'ensemble de panneaux arrière. Comme la garniture de rebord avant (E) élargit le panneau latéral gauche (C) et le panneau latéral droit (D) de 13 mm à 38 mm, la largeur du panneau latéral gauche (C) et du panneau latéral droit (D) doit être raccourcie d'au moins 13 mm en deçà de la dimension désirée du mur latéral final. Remarque : Si le mur n'est pas d'équerre, vous pouvez créer un gabarit du mur à l'aide d'un carton (non inclus) et transférer les données au panneau latéral gauche (C) et au panneau latéral droit (D). Assurez-vous de placer le panneau latéral gauche (C) du côté gauche de la zone d'installation et le panneau latéral droit (D) du côté droit afin de bien disposer les carreaux.

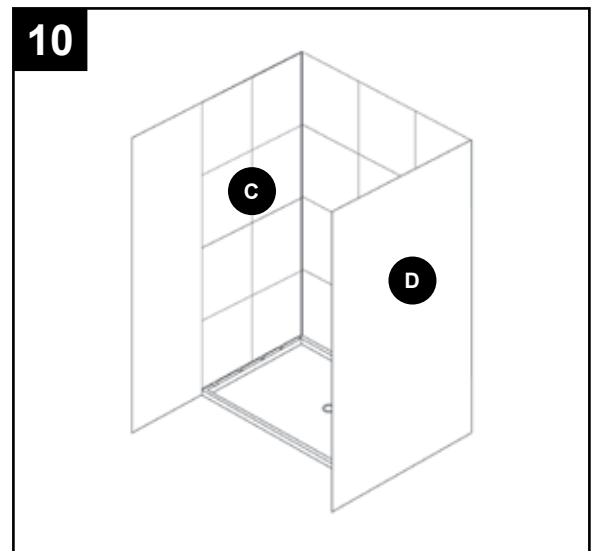


9. Si le panneau latéral ne comporte aucun orifice de plomberie, passez à l'étape 10. Repérez les trous de plomberie et transférez les données au panneau latéral gauche (C) ou au panneau latéral droit (D). Taillez des trous dont le diamètre est supérieur d'au moins 6 mm à celui du tuyau. Remarque : Afin de prévenir les bris potentiels, assurez-vous que tous les coins intérieurs des ouvertures ont un rayon d'au moins 6 mm. Appliquez du ruban-cache (non inclus) pour protéger la zone où l'outil de coupe entrera en contact avec la surface finie.

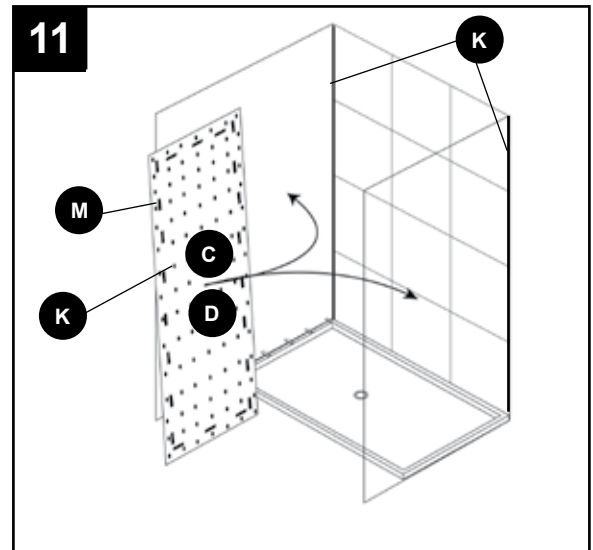


## INSTRUCTIONS DE MONTAGE

10. Au besoin, placez des cales d'une épaisseur de 1,6 mm (non incluses) au bas de l'emplacement du panneau latéral gauche (C) et du panneau latéral droit (D). Placez le panneau latéral gauche (C) et le panneau latéral droit (D) sur les cales et effectuez tout ajustement nécessaire à l'aide d'un bloc de ponçage. Nettoyez l'arrière du panneau latéral gauche (C) et du panneau latéral droit (D), le panneau de revêtement et toute autre surface qui entrera en contact avec l'adhésif à base de silicone (K) à l'aide d'alcool dénaturé et d'un chiffon propre (non inclus).

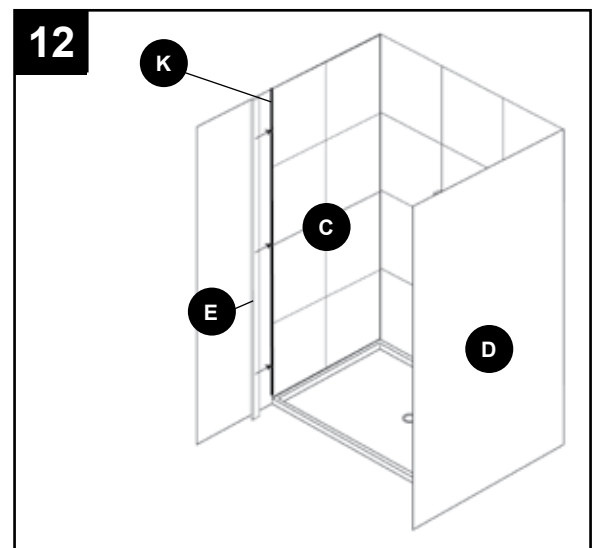


11. Coupez 22 bandes de ruban d'installation (M) de 10 cm et placez-les autour du périmètre du panneau latéral gauche (C) et du panneau latéral droit (D), à 5 cm du rebord, en les espaçant d'environ 15 cm à 18 cm. Appliquez des pastilles d'adhésif à base de silicone (K) d'un diamètre de 19 mm à des intervalles de 15 cm à 18 cm sur la surface arrière du panneau latéral gauche (C) et du panneau latéral droit (D). Appliquez un mince trait d'adhésif à base de silicone (K) dans le coin de l'ensemble de mur arrière. Posez le panneau latéral gauche (C) et le panneau latéral droit (D) en place et appuyez fermement. Nettoyez tout excédent d'adhésif à base de silicone (K) à l'aide d'alcool dénaturé avant que l'adhésif ne sèche.



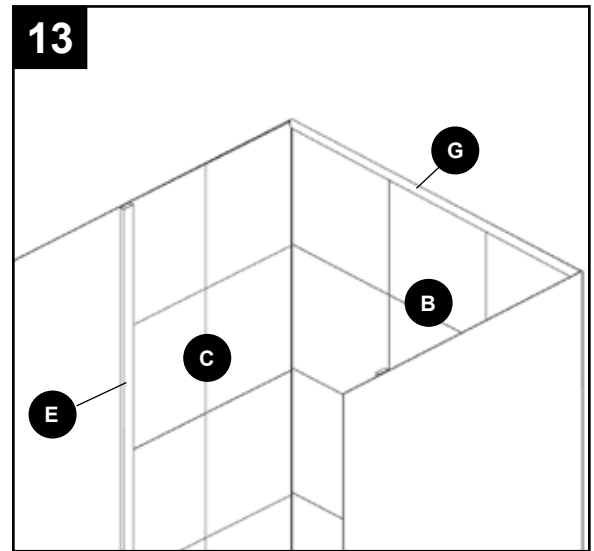
### 12. GARNITURE DE REBORD AVANT

Placez une bande de ruban d'installation (M) de 10 cm au haut, au milieu et au bas de chaque garniture de rebord avant (E). Appliquez un trait continu d'adhésif à base de silicone (K) le long du rebord avant du panneau latéral gauche (C) et du panneau latéral droit (D), à environ 6 mm du rebord. Fixez les garnitures de rebord avant (E) aux rebords avant du panneau latéral gauche (C) et du panneau latéral droit (D) et appuyez fermement pour les fixer en place.



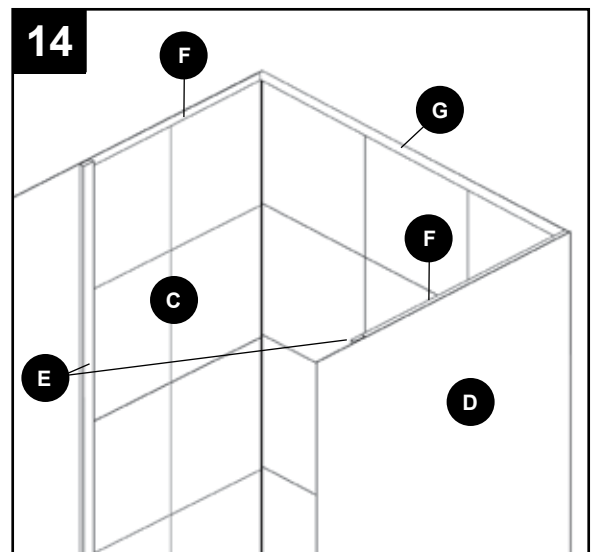
### 13. MOULURE ARRIÈRE ARRONDIE

Mesurez la largeur au haut de l'ensemble de panneaux arrière et coupez la moulure arrière arrondie (G) en fonction de cette mesure. Placez la moulure arrière arrondie (G) sur la surface supérieure de l'ensemble de panneaux arrière et ajustez-la au besoin. Appliquez de l'adhésif à base de silicone (K) sur le haut de l'ensemble de panneaux arrière et placez fermement la moulure arrière arrondie (G) sur la surface supérieure du panneau supérieur arrière (B). Remarque : Fixez la moulure arrière arrondie (G) en place à l'aide de ruban-cache (non inclus) en attendant que l'adhésif à base de silicone (K) sèche.

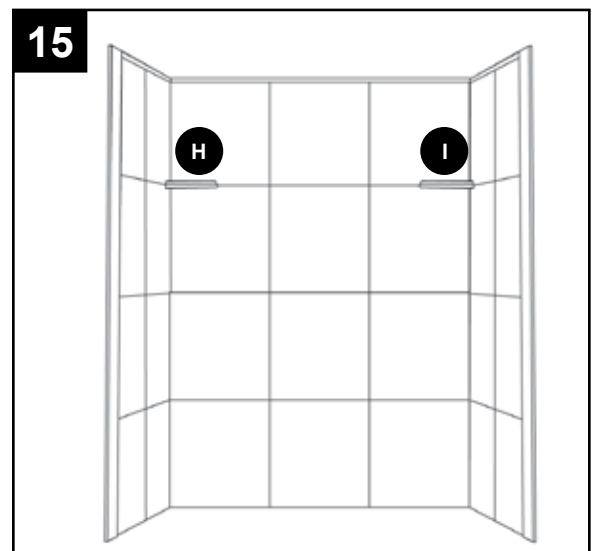


### 14. MOULURE LATÉRALE ARRONDIE

Mesurez la distance entre l'ensemble de panneaux arrière et l'arrière de la garniture de rebord avant (E). Remarque : L'une des extrémités de la moulure latérale arrondie (F) est entaillée de façon à s'ajuster sur la moulure arrière arrondie (G). Coupez l'extrémité plate de la moulure latérale arrondie (F) de façon à obtenir la mesure appropriée. Placez les moulures latérales arrondies (F) sur la surface supérieure du panneau latéral gauche (C) et du panneau latéral droit (D) et ajustez-les au besoin. Appliquez de l'adhésif à base de silicone (K) sur le haut du panneau latéral gauche (C) et du panneau latéral droit (D), puis placez fermement la moulure latérale arrondie (F) sur la surface supérieure. Remarque : Fixez la moulure latérale arrondie (F) en place à l'aide de ruban-cache (non inclus) en attendant que l'adhésif à base de silicone (K) sèche.

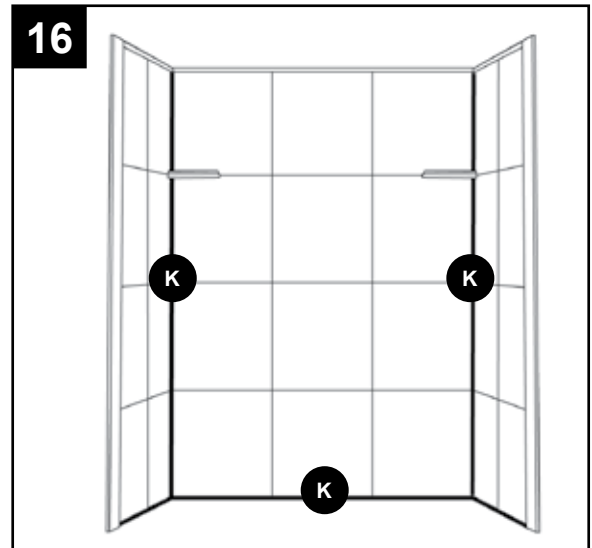


15. Installez la tablette pour shampooing gauche (H) et la tablette pour shampooing droite (I) à l'aide de l'adhésif de montage (M). Remarque : Nous vous recommandons d'installer la tablette pour shampooing gauche (H) et la tablette pour shampooing droite (I) à une hauteur de 137 cm du dessus de la base de la douche. Placez la tablette pour shampooing gauche (H) et la tablette pour shampooing droite (I) afin de vous assurer qu'elles sont toutes deux à plat contre les panneaux, et ajustez-les à l'aide d'un bloc de ponçage au besoin. Nettoyez la surface de montage et l'arrière de la tablette pour shampooing gauche (H) et de la tablette pour shampooing droite (I) à l'aide d'alcool dénaturé. Suivez les instructions du fabricant de l'adhésif de montage (M) pour l'installation.

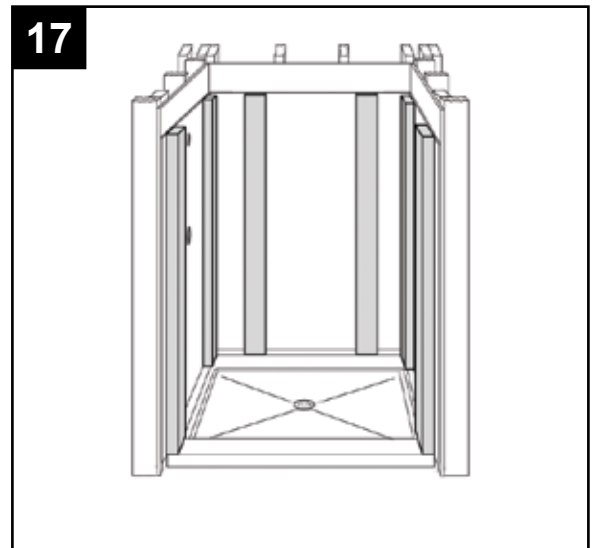


## INSTRUCTIONS DE MONTAGE

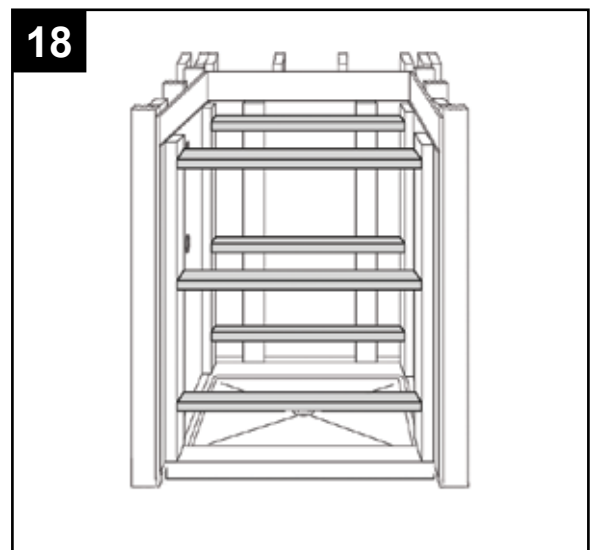
16. Une fois l'installation terminée, scellez tous les joints à l'aide de l'adhésif à base de silicone (K).  
Remarque : Nettoyez tous les joints à l'aide d'alcool dénaturé, puis appliquez un trait uniforme d'adhésif à base de silicone sur les joints.



17. **RENFORTS EN BOIS FACULTATIFS**  
Pour maintenir les panneaux plus solidement contre les murs, placez deux montants en bois (non inclus) contre le mur arrière. Placez également deux montants contre chaque mur latéral.

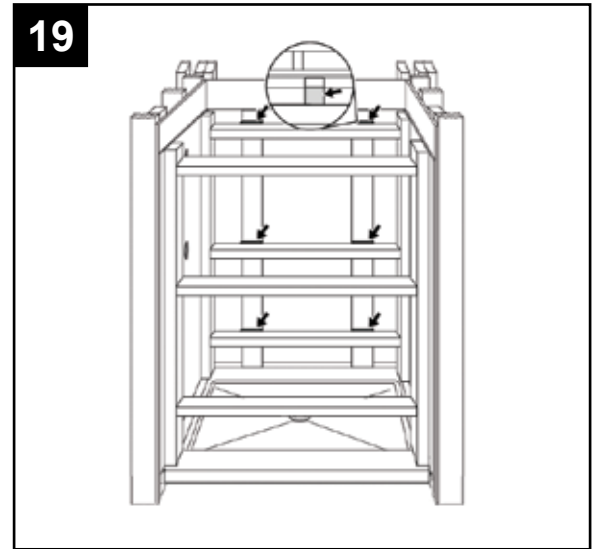


18. Calez trois entretoises en bois horizontales (non incluses) contre chacun des montants des murs droit et gauche.



## INSTRUCTIONS DE MONTAGE

19. Insérez de petits blocs (non inclus) entre les entretoises arrière et les montants du panneau arrière. Ceux-ci exerceront une pression sur le panneau arrière de façon à le maintenir en place. Retirez les montants après 24 heures



## ENTRETIEN

Essuyez la surface à l'aide d'une éponge ou d'un linge humide. Nettoyez les taches à l'aide d'un détergent doux ou d'un nettoyant tout usage. Pour les coins et les joints, utilisez un nettoyant anti-moisissures. Si vous entretenez l'article régulièrement, vous ne devriez jamais avoir à frotter les joints de calfeutrant à base de silicone.

## DÉPANNAGE

PROBLÈME	CAUSE POSSIBLE	MESURE CORRECTIVE
Les panneaux ne collent pas au mur.	<ol style="list-style-type: none"><li>1. Les surfaces n'ont pas été préparées correctement pour l'adhésif ou le scellant à base de silicone.</li><li>2. La surface du mur n'est pas assez plate pour offrir une bonne adhérence.</li></ol>	<ol style="list-style-type: none"><li>1. Nettoyez complètement la surface et appliquez à nouveau de l'adhésif.</li><li>2. Ajustez le panneau à la surface murale à l'aide de cales en bois.</li></ol>
Les panneaux ne s'ajustent pas correctement.	<ol style="list-style-type: none"><li>1. Les surfaces murales ne sont pas d'aplomb.</li><li>2. Les panneaux muraux n'ont pas été coupés adéquatement.</li><li>3. Le panneau a été coupé excessivement (moins de 13 mm).</li></ol>	<ol style="list-style-type: none"><li>1. Coupez les panneaux de façon à les ajuster.</li><li>2. Commandez un nouveau panneau pour remplacer le panneau mal coupé.</li><li>3. Commandez une gorge facultative.</li></ol>

## GARANTIE

Le fabricant offre une GARANTIE LIMITÉE DE DIX (10) ANS contre les défauts de matériaux ou de fabrication pour ses parois de baignoire et de douche à surface solide. Si ce produit a été inspecté par un représentant autorisé et qu'il présente des défauts de matériaux ou de fabrication, nous choisirons, à notre discrétion, de le réparer ou de le remplacer par un modèle similaire. La présente garantie est valide pour une période de dix (10) ans, à condition que l'article demeure à son lieu d'installation initial.

Cette garantie couvre uniquement les produits qui ont été installés conformément aux instructions pour l'installation, qui ont été utilisés conformément aux recommandations et qui n'ont pas été endommagés en raison d'un usage inapproprié, d'un usage abusif ou d'une installation inadéquate. Elle ne s'applique pas aux joints ni aux modifications apportées au produit par un ouvrier ou un fabricant professionnel.

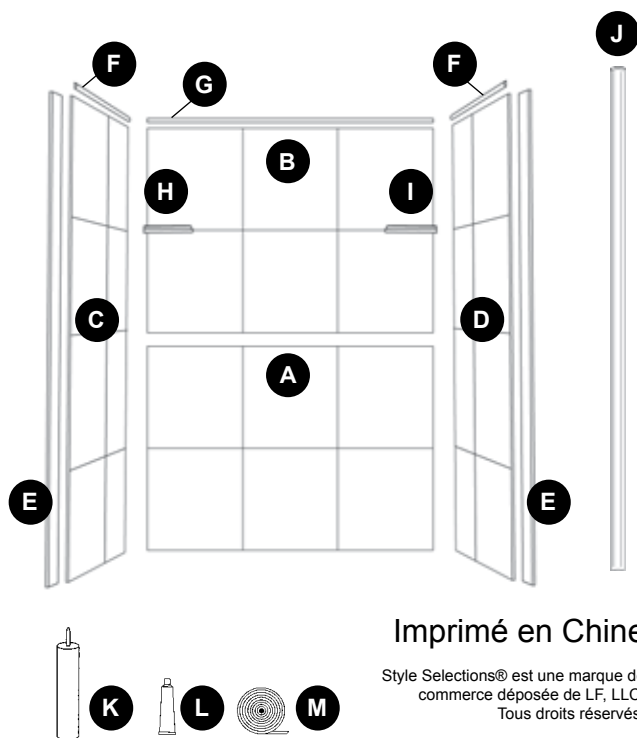
La garantie s'applique uniquement à l'acheteur initial et aux produits ayant été soumis à un usage résidentiel. Elle ne s'applique pas aux produits soumis à un usage commercial.

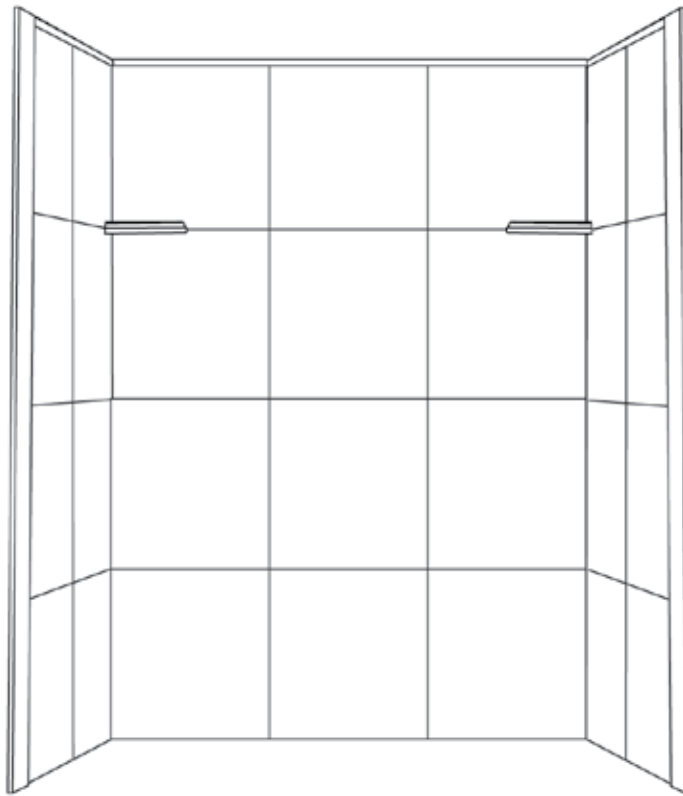
La responsabilité du fabricant de réparer ou de remplacer les produits en vertu de la présente garantie ne couvre PAS les coûts de main d'œuvre ni les autres frais liés au retrait ou à l'installation. Le fabricant n'est pas responsable des dommages accessoires ou consécutifs attribuables à un défaut ou à la réparation ou au remplacement d'un produit défectueux.

## LISTE DES PIÈCES DE RECHANGE

Pour obtenir des pièces de rechange, communiquez avec notre service à la clientèle au 1 877 888-8225, entre 8 h et 20 h (HNE), du lundi au vendredi.

PIÈCE	DESCRIPTION	N° DE PIÈCE
A	Panneau inférieur arrière	150576-01-92
B	Panneau supérieur arrière	150576-02-92
C	Panneau latéral gauche	150576-03-92
D	Panneau latéral droit	150576-04-92
E	Garniture de rebord avant	150576-05-92
F	Moulure latérale arrondie	150576-06-92
G	Moulure arrière arrondie	150576-07-92
H	Tablette pour shampooing gauche	150576-08-92
I	Tablette pour shampooing droite	150576-09-92
J	Gorge	150576-11-92
K	Adhésif à base de silicone	150576-12-00
L	Adhésif de montage	150576-13-00
M	Ruban d'installation	150576-14-00





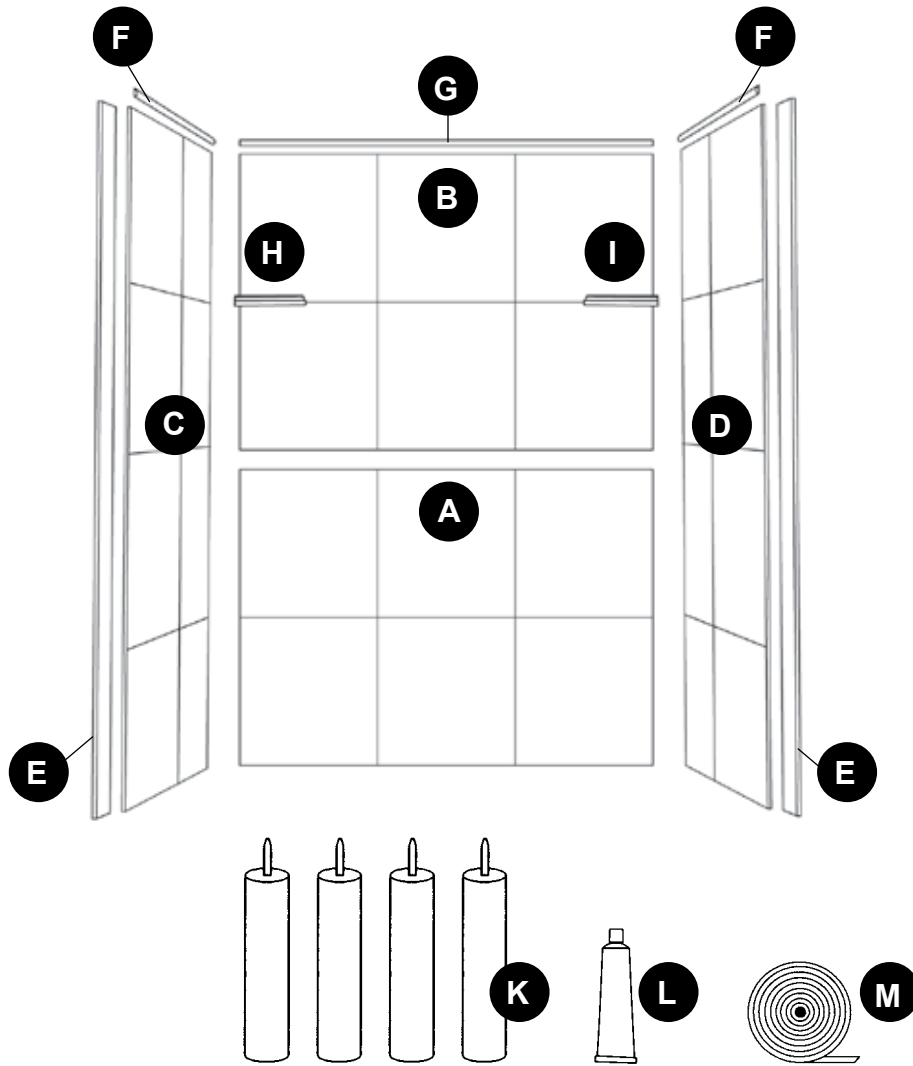
**ADJUNTE SU RECIBO AQUÍ**

Número de serie \_\_\_\_\_ Fecha de compra \_\_\_\_\_



**¿Preguntas, problemas, piezas faltantes?** Antes de volver a la tienda, llame a nuestro Departamento de Servicio al Cliente al 1 877 888-8225, de lunes a viernes de 8 a.m. a 8 p.m., hora estándar del Este.

# CONTENIDO DEL PAQUETE



PIEZA	DESCRIPCIÓN	CANTIDAD
A	Panel posterior inferior	1
B	Panel posterior superior	1
C	Panel lateral izquierdo	1
D	Panel lateral derecho	1
E	Reborde frontal	2
F	Moldura lateral	2
G	Moldura posterior	1
H	Repisa izquierda para champú	1
I	Repisa derecha para champú	1
K	Adhesivo de silicona	4
L	Adhesivo para montaje	1
M	Cinta para instalación	1





## INFORMACIÓN DE SEGURIDAD

---

Lea y comprenda completamente este manual antes de intentar ensamblar o instalar el producto.

### ADVERTENCIA

- Use siempre gafas de seguridad o lentes de protección cuando utilice herramientas eléctricas. Use una mascarilla antipolvo o un respirador para aplicaciones que generan polvo.
- NO proceda si tiene dudas sobre la forma correcta o segura de realizar alguna etapa descrita en este manual. Es posible que la instalación de este producto necesite el uso de herramientas eléctricas. No use herramientas eléctricas sin tener suficiente capacitación. De ser necesario, contrate o consulte a un profesional capacitado para que le brinde ayuda profesional antes de continuar.

### PRECAUCIÓN

Tenga cuidado cuando abra la caja para no dañar los paneles.

Almacene los paneles en un área plana para evitar la deformación hasta que sea el momento de instalarlos. No almacene los paneles al exterior del empaque original en posición vertical.

Asegúrese de que las paredes sean del tamaño correcto y que estén en buen estado. La instalación de un producto dañado anulará la garantía.

### PREPARACIÓN

---

Antes de comenzar a ensamblar el producto, asegúrese de tener todas las piezas. Compare las piezas con la lista del contenido del paquete y la lista de aditamentos. No intente ensamblar el producto si falta alguna pieza o si estas están dañadas.

**Tiempo estimado de ensamblaje:** 120 minutos

Herramientas necesarias para el ensamblaje (no se incluyen): Nivel, cinta métrica, lápiz, compás, sierra circular, bloque de lijar, calzas, taladro y broca de 3/8 pulg, sierra de perforación de 1/2 pulg, pistola para calafateo, gafas de seguridad, mascarilla antipolvo, sierra caladora, alcohol desnaturalizado, toallas limpias, cinta adhesiva

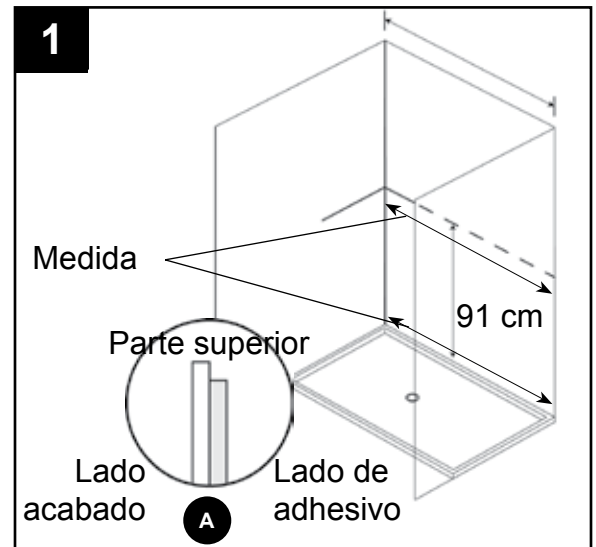
Herramientas útiles (no se incluyen): Sujetadores de madera de 5,08 cm x 10,16 cm

Prepare el área con panel de yeso resistente a la humedad, madera contrachapada de categoría marítima o tableros de apoyo con partículas de cerámica. Nunca instale directamente sobre construcciones de pared que estén húmedas o que puedan llegar a estarlo. Cuando lo instale sobre baldosas de cerámica, verifique si hay baldosas sueltas. De ser así, corrija el problema. Asegúrese de que el área que va a cubrir tenga soporte uniforme. De no ser así, complete el área sin baldosas. Retire la fila inferior de baldosas y corte un espacio de ventilación en el sustrato. En cada instalación, asegúrese de que haya un espacio de 1,27 cm entre la parte superior de la base de la ducha y la parte inferior del sustrato. Esto permitirá que haya ventilación y que el agua se desplace por acción capilar al sustrato.

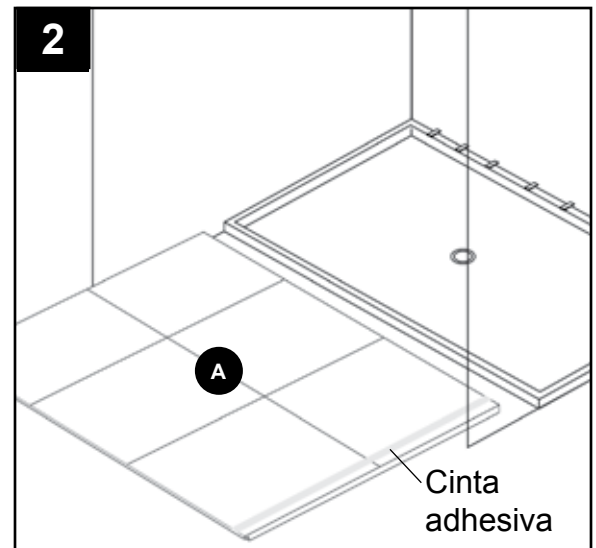
## INSTRUCCIONES DE MONTAJE

### 1. PANEL POSTERIOR INFERIOR

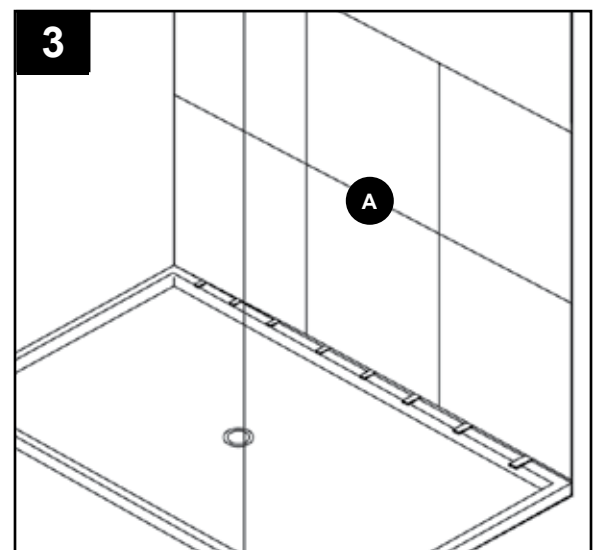
Determine el ancho del panel de pared posterior inferior (A), para esto mida desde la parte superior de la base de la ducha hasta 91 cm hacia arriba desde la parte superior de la base de la ducha. Mida el ancho de la abertura desde estos puntos. Nota: Si la pared no es cuadrada, puede usar cartón (no se incluye) para crear una plantilla de la pared y transferir la información al panel posterior inferior (A). La extensión de 6 mm en el panel posterior inferior (A) está en la parte superior del panel.



2. Verifique las medidas y coloque cinta adhesiva (no se incluye) sobre el área en donde la sierra (no se incluye) entrará en contacto con el lado acabado del panel posterior inferior (A). Corte el panel posterior inferior (A) y haga los ajustes necesarios a los cortes con un bloque de lijarse (no se incluye).

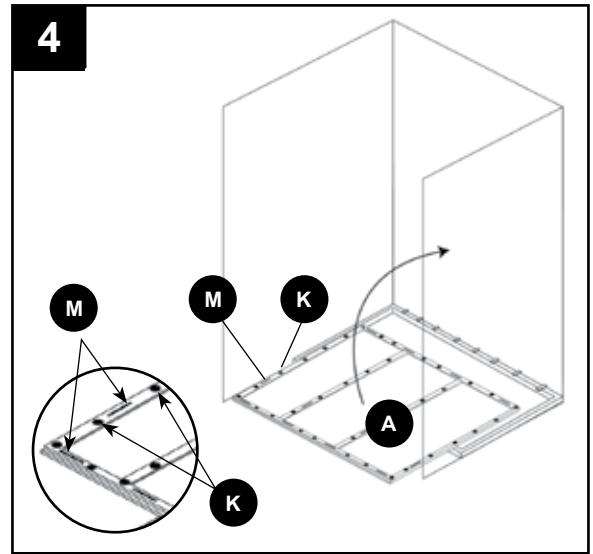


3. De ser necesario, coloque calzas de 1,6 mm de grosor (no se incluyen) en la base del lugar de instalación del panel posterior inferior (A). A manera de prueba, ajuste el panel posterior inferior (A) sobre las calzas y use un bloque de lijarse si necesita realizar ajustes finos. Retire el panel posterior inferior (A) de la pared y limpie con alcohol desnaturalizado y un trapo limpio (no se incluyen) la parte posterior del panel posterior inferior (A), la tabla de fibra prensada y todas las áreas que estarán en contacto con la silicona (K).



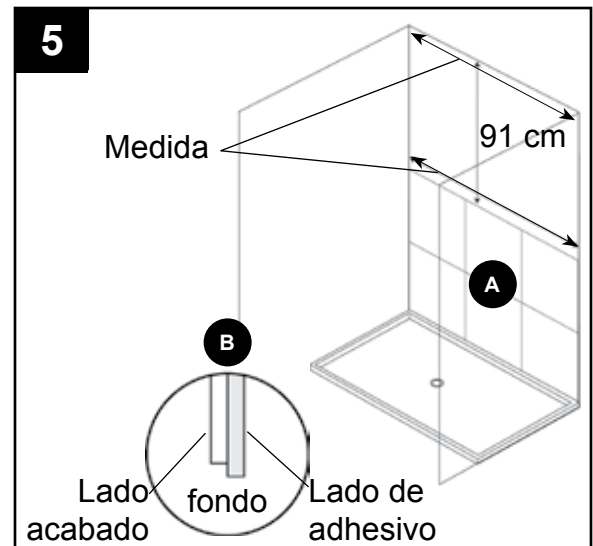
## INSTRUCCIONES DE MONTAJE

4. Corte doce tiras de 10 cm de cinta para instalación (M) y colóquelas en el panel posterior inferior (A) en donde se indica en la figura 4. Aplique adhesivo de silicona (K) en puntos de 19 mm de diámetro a 15 - 18 cm unos de otros sobre la superficie de las tiras de refuerzo en la parte posterior del panel posterior inferior (A). Coloque el panel posterior inferior en su lugar y presione firmemente.

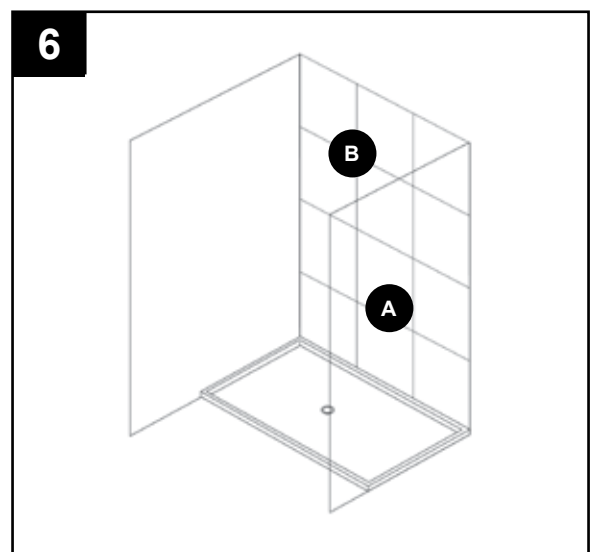


### 5. PANEL POSTERIOR SUPERIOR

Determine el ancho del panel de pared posterior superior (B), para esto mida desde la parte superior del panel posterior inferior (A) y 91 cm hacia arriba desde la parte superior del panel posterior inferior (A). Repita los pasos 1 y 2 para el panel posterior superior (B), considerando que la extensión de 6 mm en el panel posterior superior (B) está en la parte inferior.

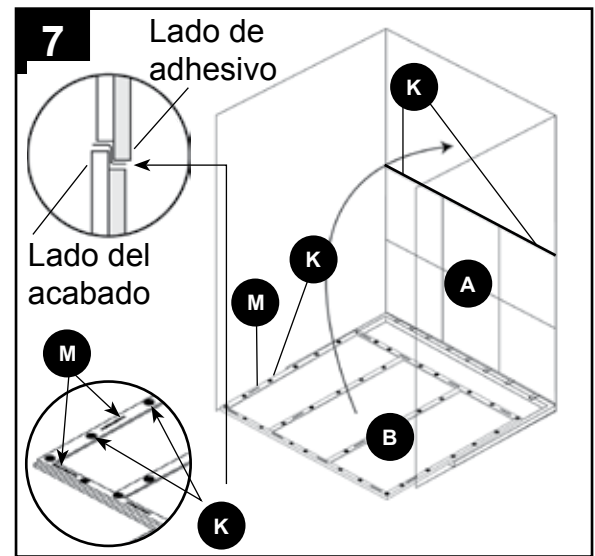


6. A manera de prueba, ajuste el panel posterior superior (B) sobre el panel posterior inferior (A) y use un bloque de lijarse (no se incluye) si necesita realizar ajustes finos. Retire el panel posterior superior (B) de la pared y limpie con alcohol desnaturalizado y un trapo limpio (no se incluyen) la parte posterior del panel posterior superior (B), la tabla de fibra prensada y todas las áreas que estarán en contacto con la silicona (K).



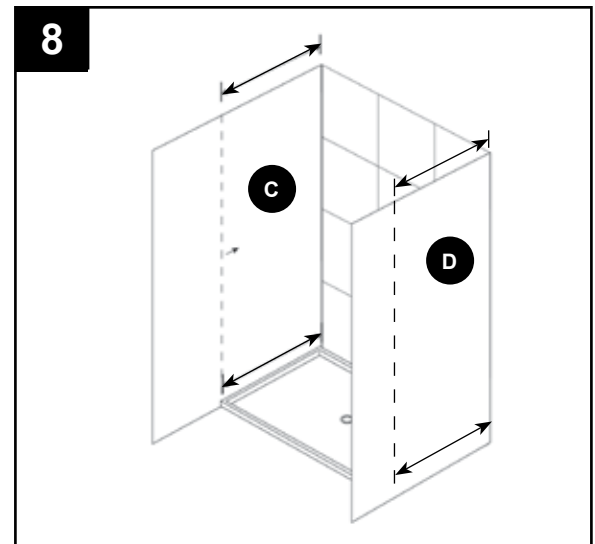
## INSTRUCCIONES DE MONTAJE

7. Corte doce tiras de 10 cm de cinta para instalación (M) y colóquelas en el panel posterior superior (B) en donde se indica en la figura 7. Aplique adhesivo de silicona (K) en puntos de 19 cm de diámetro a 15 - 18 cm unos de otros sobre la superficie de las tiras de refuerzo en la parte posterior del panel posterior superior (B). Aplique un cordón de adhesivo de silicona (K) en el área en donde se conectan el panel posterior inferior (A) y el panel posterior superior (B). Coloque el panel posterior superior (B) en el panel posterior inferior (A) y presiónelos juntos hacia el sustrato.

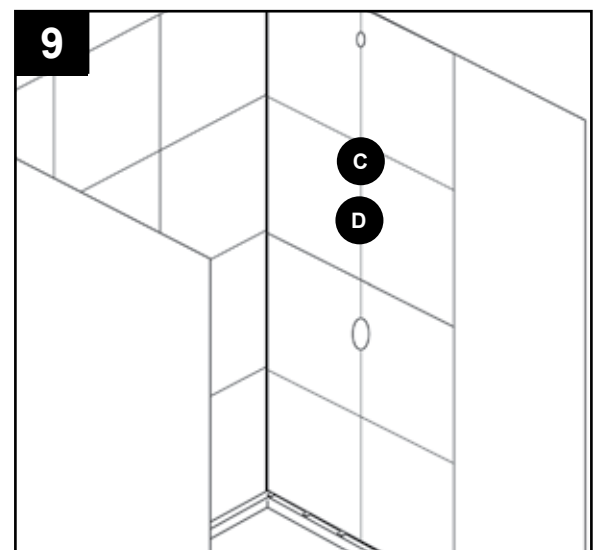


### 8. PANEL LATERAL

Mida desde la pared posterior en la parte superior y en la parte inferior del conjunto del panel posterior hasta el borde de la base de la ducha. El borde frontal (E) extiende el ancho del panel lateral izquierdo (C) y del panel lateral derecho (D) entre 13 mm y 38 mm, por lo que el ancho del panel lateral izquierdo (C) y del panel lateral derecho (D) deben cortarse como mínimo 13 mm más pequeños que el tamaño deseado de la pared lateral acabada. Nota: Si la pared no es cuadrada, puede usar cartón para crear una plantilla de la pared y transferir la información al panel lateral izquierdo (C) y al panel lateral derecho (D). Asegúrese de usar el panel lateral izquierdo (C) en el lado izquierdo del lugar de la instalación y el panel lateral derecho (D) en el lado derecho para asegurar un diseño de baldosas correcto.

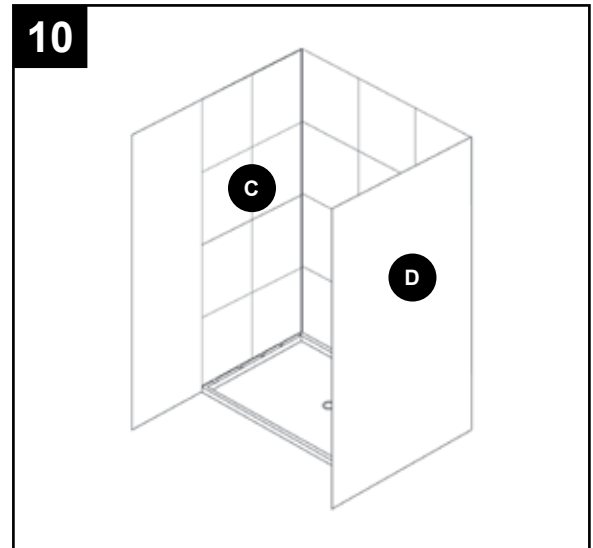


9. Si no hay orificios para plomería en el panel lateral, continúe con el paso 10. Busque la ubicación de los orificios para plomería y transfiera la información al panel lateral izquierdo (C) o al panel lateral derecho (D). Corte los orificios al menos 6 mm (1/4 pulg) más grandes que el diámetro de las tuberías. Nota: Para evitar posibles roturas, todas las esquinas interiores de las aberturas deben tener un radio de al menos 6 mm. Use cinta adhesiva (no se incluye) para proteger el área en donde la herramienta de corte entrará en contacto con la superficie acabada.

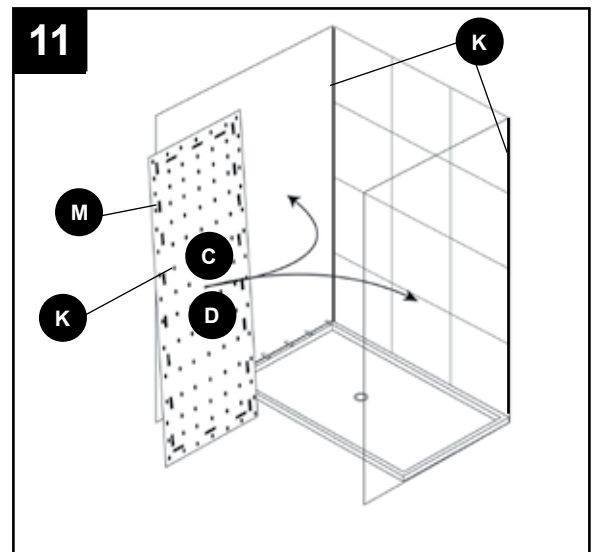


## INSTRUCCIONES DE MONTAJE

10. De ser necesario, coloque calzas de 1,6 mm de grosor en la base del lugar de instalación del panel lateral izquierdo (C) y del panel lateral derecho (D). A manera de prueba, ajuste el panel lateral izquierdo (C) y el panel lateral derecho (D) sobre las calzas y use un bloque de lijar si necesita realizar ajustes finos. Limpie con alcohol desnaturalizado y un trapo limpio (no se incluyen) la parte posterior del panel lateral izquierdo (C) y del panel lateral derecho (D), la tabla de fibra prensada y todas las áreas que estarán en contacto con el adhesivo de silicona (K).

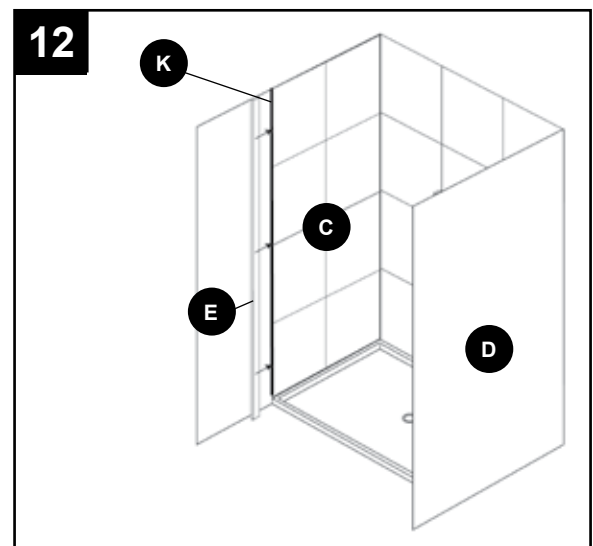


11. Corte veintidós tiras de 10 cm de cinta para instalación (M) y colóquelas alrededor del perímetro del panel lateral izquierdo (C) y del panel lateral derecho (D), a 5 cm del borde y a 15 - 18 cm unas de otras. Aplique adhesivo de silicona (K) en puntos de 19 mm de diámetro a 15 - 18 cm unos de otros sobre la superficie posterior del panel lateral izquierdo (C) y del panel lateral derecho (D). Aplique un cordón delgado de adhesivo de silicona (K) en la esquina del conjunto de pared posterior. Coloque el panel lateral derecho (D) y el panel lateral izquierdo (C) en su lugar y presione firmemente. Limpie el exceso de adhesivo de silicona (K) con alcohol desnaturalizado mientras el adhesivo de silicona (K) siga húmedo.



### 12. REBORDE FRONTAL

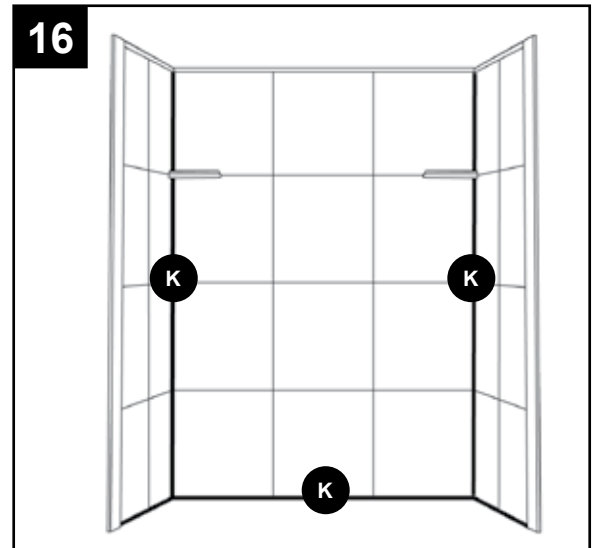
Coloque tres pedazos de 10 cm de cinta para instalación (M) en la parte superior, en el medio y en la parte inferior de cada reborde frontal (E). Aplique un cordón continuo de silicona (K) a todo lo largo del borde frontal del panel lateral izquierdo (C) y del panel lateral derecho (D), a aproximadamente 6 mm del borde. Fije los rebordes frontales (E) en el borde frontal del panel lateral izquierdo (C) y del panel lateral derecho (D) y presione firmemente para fijarlos en su lugar.



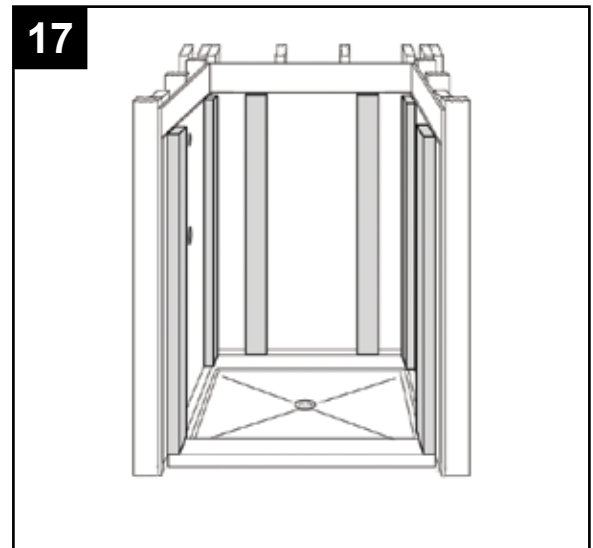


## INSTRUCCIONES DE MONTAJE

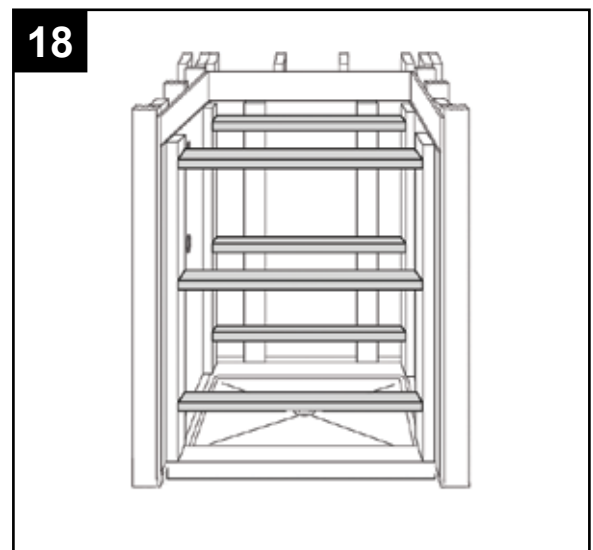
16. Después de completar la instalación, selle todas las uniones con adhesivo/sellador de silicona (K).  
Nota: Limpie todas las uniones con alcohol desnaturalizado antes de aplicar un cordón uniforme de adhesivo de silicona a las uniones.



17. **SUJETADORES DE MADERA OPCIONALES**  
Para sujetar de manera más segura los paneles instalados en las paredes, coloque dos sujetadores de madera (no se incluyen) en la pared posterior. Coloque dos sujetadores de madera (no se incluyen) en cada pared lateral.

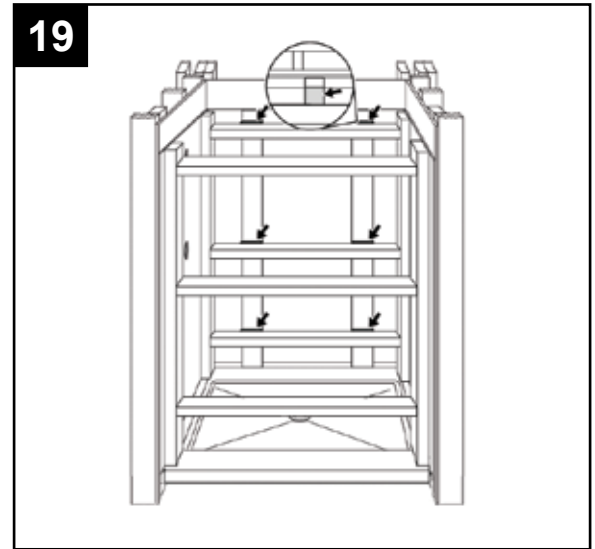


18. Haga calzar tres sujetadores de madera horizontales (no se incluyen) en cada sujetador de pared izquierdo y derecho.



## INSTRUCCIONES DE MONTAJE

19. Coloque bloques pequeños (no se incluyen) entre los sujetadores del panel posterior y los sujetadores del panel de atrás. Esto ejercerá presión sobre el panel posterior para sujetarlo en su lugar. Retire los sujetadores después de 24 horas.



## CUIDADO Y MANTENIMIENTO

Limpie la superficie con una esponja o un paño humedecido. Para retirar las manchas ligeras, limpie con un detergente suave o con un limpiador multiuso. Para limpiar esquinas y uniones, rocíe con un limpiador contra el moho. Si realiza un rociado de mantenimiento regular no será necesario restregar las uniones de masilla de calafateo de silicona.

## SOLUCIÓN DE PROBLEMAS

PROBLEMA	CAUSA POSIBLE	ACCIÓN CORRECTIVA
Los paneles no se adhieren a la pared.	<ol style="list-style-type: none"> <li>1. Las superficies no están correctamente preparadas para el adhesivo/sellador de silicona.</li> <li>2. La superficie de la pared no es plana, por lo que no se da la adhesión adecuada.</li> </ol>	<ol style="list-style-type: none"> <li>1. Limpie la superficie por completo y vuelva a aplicar el adhesivo.</li> <li>2. Use los sujetadores de madera para ajustar el panel a la superficie de la pared.</li> </ol>
Los paneles no encajan correctamente.	<ol style="list-style-type: none"> <li>1. Las superficies de pared existentes no están a plomo.</li> <li>2. Los paneles de pared no están correctamente cortados.</li> <li>3. El panel se cortó demasiado pequeño (menos de 1,27 cm).</li> </ol>	<ol style="list-style-type: none"> <li>1. Trace los paneles para que se ajusten.</li> <li>2. Haga un pedido del panel mal cortado.</li> <li>3. Haga un pedido de la moldura cóncava opcional.</li> </ol>



## GARANTÍA

El fabricante brinda una GARANTÍA LIMITADA DE DIEZ (10) AÑOS para su área circundante de bañera y ducha de superficie sólida, mediante la cual se garantiza que no habrán defectos de fabricación en los materiales ni en la mano de obra. Si se encuentran fallas en los materiales o la mano de obra de este producto, previa inspección de un representante autorizado repararemos, o a nuestra discreción, cambiaremos el producto por un modelo similar. Esta garantía es válida por un periodo de diez (10) años, mientras se use en su lugar de instalación original.

Esta garantía cubre únicamente productos instalados de acuerdo con las instrucciones de instalación, que se usan según se recomienda y que no están dañados debido al uso inadecuado, al mal uso o a una instalación inadecuada. No se aplica a uniones ni a cambios hechos al producto por comerciantes profesionales ni fabricantes.

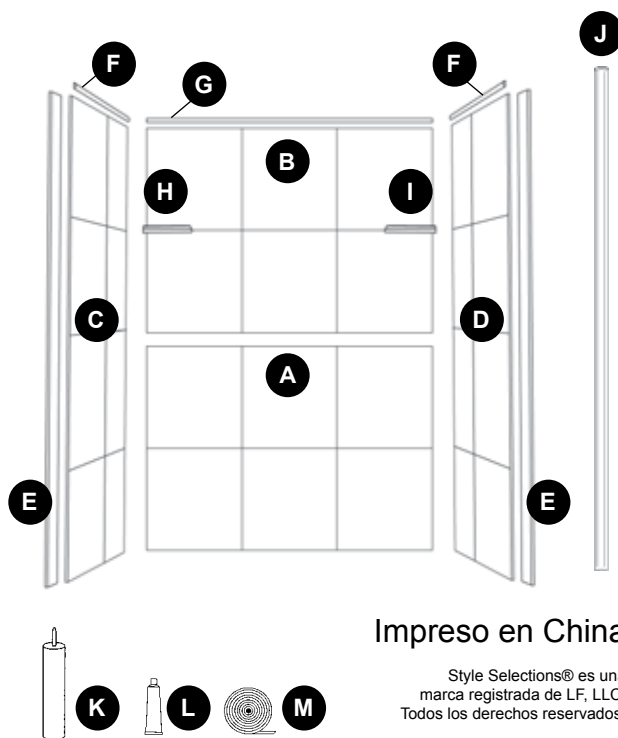
La garantía se aplica únicamente al comprador original y a la instalación de estos productos en aplicaciones residenciales. No se aplica para aplicaciones comerciales.

La opción del fabricante de reparar o cambiar el producto bajo esta garantía NO cubre costos de mano de obra u otros causados por el retiro o la instalación; del mismo modo el fabricante no se hace responsable por daños accidentales o resultantes originados por el defecto de un producto o por la reparación o el cambio de un producto defectuoso.

## LISTA DE PIEZAS DE REPUESTO

Para obtener piezas de repuesto, llame a nuestro Departamento de Servicio al Cliente al 1 877 888 8225, de 8 a.m. a 8 p.m. hora estándar del Este, de lunes a viernes.

PIEZA	DESCRIPCIÓN	PIEZA #
A	Panel de pared posterior inferior	150576-01-92
B	Panel de pared posterior superior	150576-02-92
C	Panel lateral izquierdo	150576-03-92
D	Panel lateral derecho	150576-04-92
E	Reborde frontal	150576-05-92
F	Moldura redondeada lateral	150576-06-92
G	Moldura redondeada posterior	150576-07-92
H	Repisa izquierda para champú	150576-08-92
I	Repisa derecha para champú	150576-09-92
J	Moldura cóncava	150576-11-92
K	Adhesivo de silicona	150576-12-00
L	Adhesivo para montaje	150576-13-00
M	Cinta para instalación	150576-14-00



Impreso en China

Style Selections® es una marca registrada de LF, LLC. Todos los derechos reservados.