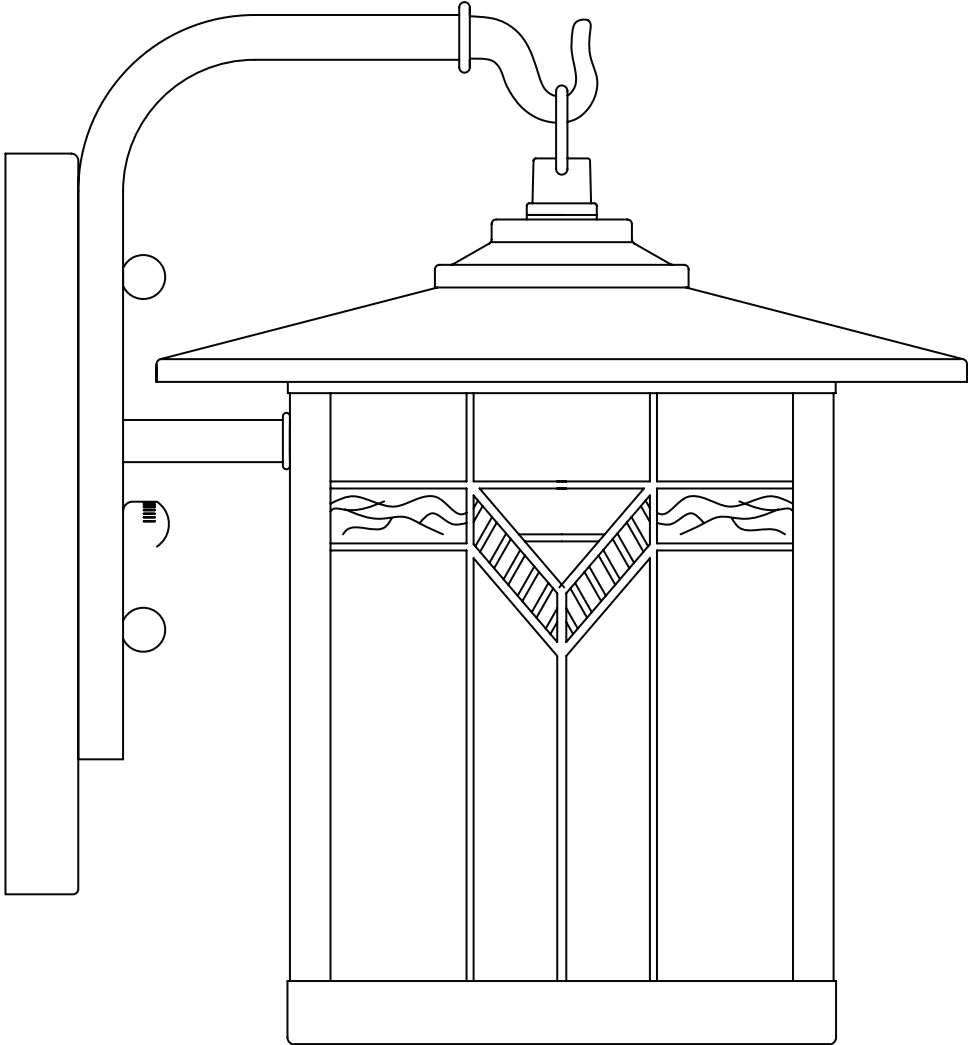




WALL LANTERN

MODEL #LWS0547C



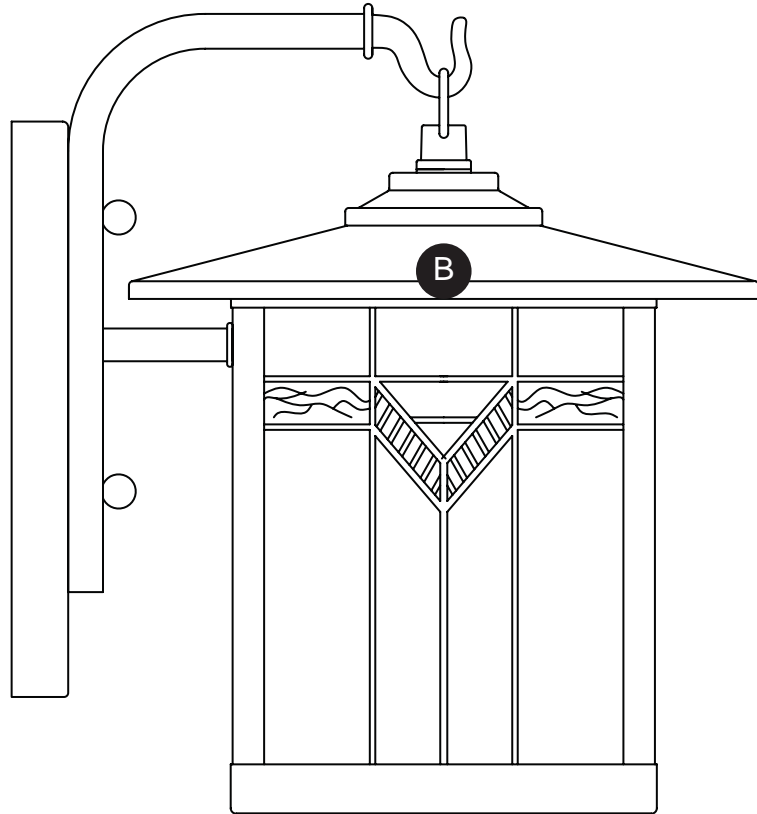
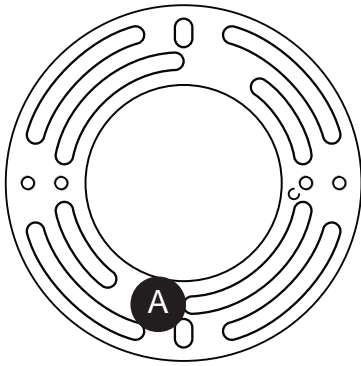
ATTACH YOUR RECEIPT HERE

Serial Number _____ Purchase Date _____









Questions, problems, missing parts? Before returning to your retailer, call our customer service department at 1-866-439-9800, 8 a.m. - 6 p.m., EST, Monday - Thursday, 8 a.m. - 5 p.m., EST, Friday.

PACKAGE CONTENTS



PART	DESCRIPTION	QUANTITY
A	Crossbar	1
B	Fixture body	1

HARDWARE CONTENTS (shown actual size)

					
Green Ground Screw	Wire Connector			Hex Nut	Mounting Ball
Qty. 1	Qty. 3	Mounting Screw	Outlet Box Screw	Qty. 2	Qty. 2
		Qty. 2	Qty. 2		

SAFETY INFORMATION

Please read and understand this entire manual before attempting to assemble, operate or install the product. If you have any questions regarding the product, please call customer service at 1-866-439-9800, 8 a.m. - 6 p.m., EST, Monday - Thursday, 8 a.m. - 5 p.m., EST, Friday.

WARNING

- RISK OF ELECTRIC SHOCK - Before beginning installation, turn off electricity at the circuit breaker box or the main fuse box.
- RISK OF FIRE - Use bulbs specified by the markings and/or labels on the fixture.

CAUTION

- For your safety, read instructions completely before beginning installation.
- If in doubt about electrical installation, consult a licensed electrician.
- Turn off electricity to fixture before replacing the bulb(s).

PREPARATION

Before beginning assembly of product, make sure all parts are present. Compare parts with package contents list and hardware contents above. If any part is missing or damaged, do not attempt to assemble the product. Contact customer service for replacement parts.

Estimated Assembly Time: 20 - 30 minutes


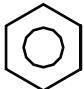
Tools Required for Assembly (not included): Flathead screwdriver, Phillips screwdriver, Pliers, Wire cutters, Electrical tape, Safety goggles and Ladder.

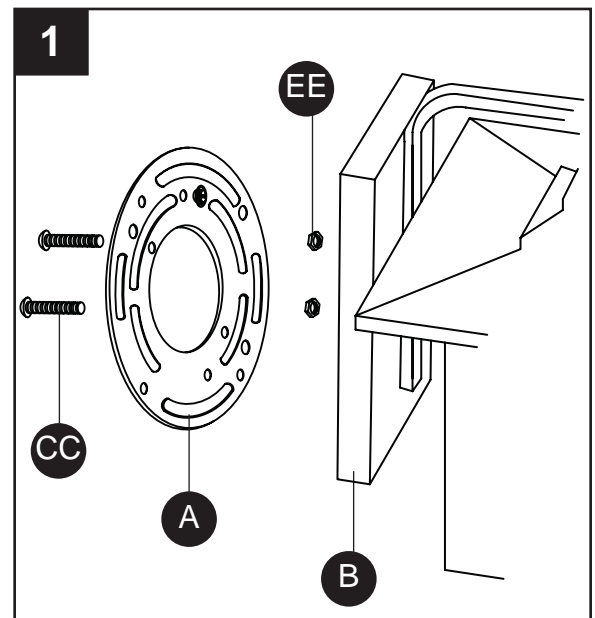
Helpful Tools (not included): Wire strippers

ASSEMBLY INSTRUCTIONS

1. Place the crossbar (A) onto the backplate of the fixture body (B) and align the holes in the backplate with a set of threaded holes in the crossbar (A). Install the mounting screws (CC) in the aligned threaded holes on the crossbar (A). Thread the hex nuts (EE) onto the mounting screws (CC) and tighten until secure. (Fig.1)

Hardware Used

CC	Mounting Screw		x 2
EE	Hex Nut		x 2

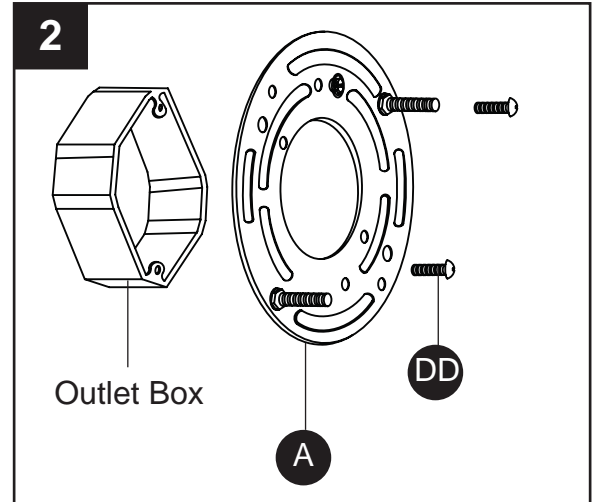


ASSEMBLY INSTRUCTIONS

2. Secure the crossbar (A) to the outlet box (not included) with outlet box screws (DD). (Fig. 2)

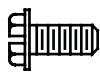
Hardware Used

DD Outlet Box Screw  x 2

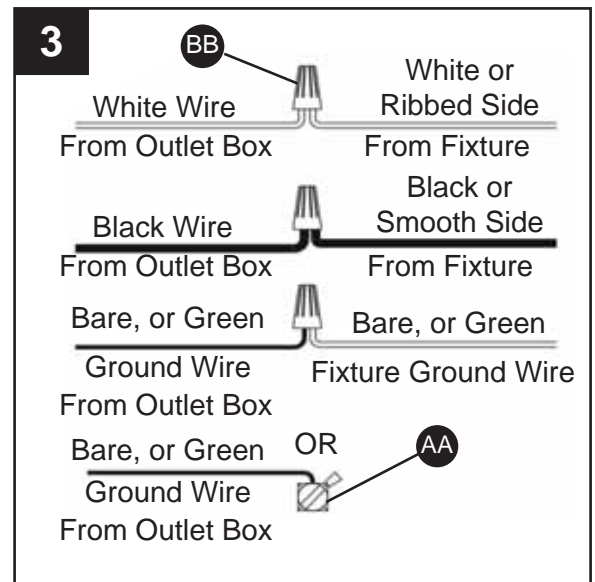


3. Attach ground fixture wire to either the green ground screw (AA) on crossbar (A) or to the ground wire in the outlet box (usually GREEN or BARE). If attaching fixture ground wire to the crossbar, it is imperative that the outlet box in your home be properly grounded. Connect the neutral WHITE or RIBBED side fixture wire to the neutral usually WHITE wire from the outlet box. Connect the hot BLACK or SMOOTH side fixture wire to the hot usually BLACK wire from the outlet box. Fasten wires together with a plastic wire connector (BB) and tightly wrap connector with electrical tape. (Fig. 3)

Hardware Used

AA Green Ground Screw  x 1

BB Wire Connector  x 3

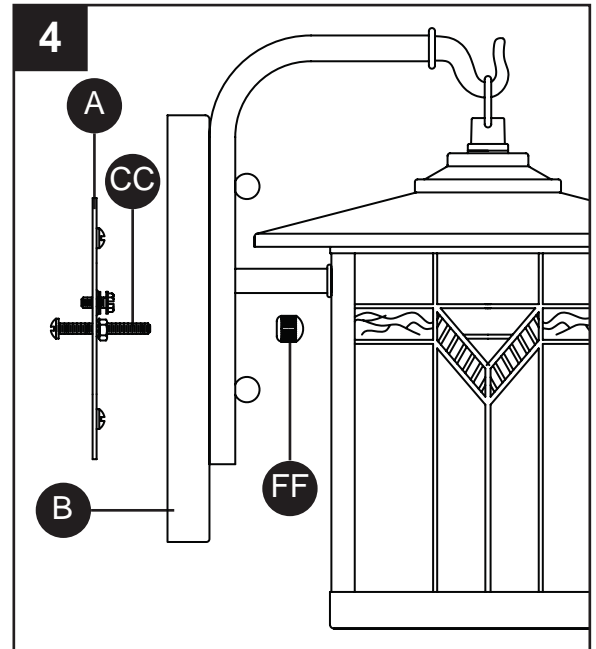


ASSEMBLY INSTRUCTIONS

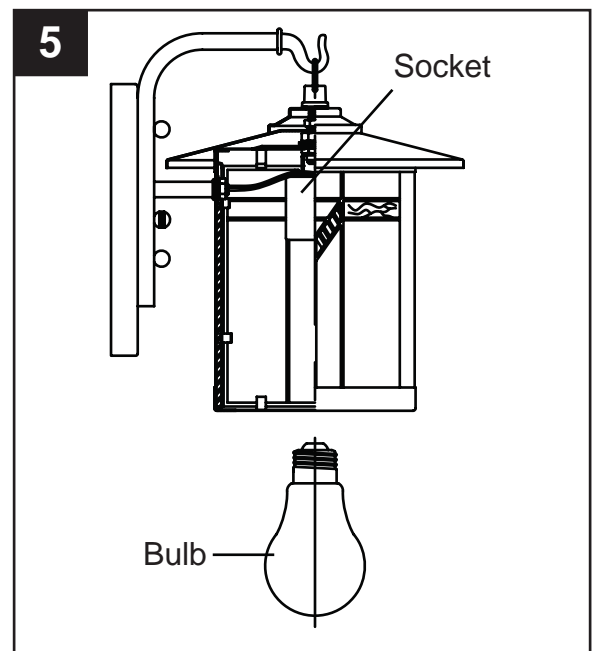
4. Carefully tuck all wires into the outlet box and position the backplate of the fixture body (B) over the outlet box. Align the holes in the backplate of the fixture body (B) with the mounting screws (CC) attached to the crossbar (A). Pass the fixture over the mounting screws (CC) and secure by threading mounting balls (FF) onto end of mounting screws (CC). Tighten until snug.

Hardware Used

FF Mounting Ball  x 2



5. Install the bulb (not included).
Note: One 100-watt max. standard base or standard base CFL bulb recommended.
(Fig.5)



CARE AND MAINTENANCE

- Make sure mounting surface and backplate are free of dirt. Using exterior grade caulk, apply caulk to the top and sides of backplate where it meets the mounting surface.
- Do not caulk bottom of backplate to ensure proper moisture drainage.
- Wipe clean using soft, dry cloth or static duster. Always avoid using harsh chemicals and abrasives to clean fixture as they may damage the finish.

TROUBLESHOOTING

If you have any questions regarding the product, please call customer service at 1-866-439-9800, 8 a.m. - 6 p.m., EST, Monday - Thursday, 8 a.m. - 5 p.m., EST, Friday.

PROBLEM	POSSIBLE CAUSE	CORRECTIVE ACTION
Bulbs will not light.	<ol style="list-style-type: none">1. Bulb is burned out.2. Power is off.3. Faulty wire connection.4. Faulty switch.	<ol style="list-style-type: none">1. Replace light bulb.2. Make sure power supply is on.3. Check wiring.4. Test or replace the switch.
Fuse blows or the circuit breaker trips when light is turned on.	<ol style="list-style-type: none">1. Crossed wires or power wire is grounding out.	<ol style="list-style-type: none">1. Check wire connection.

WARRANTY

The manufacturer warrants all of its lighting fixtures against defects in materials and workmanship for three (3) years from the date of purchase. If within this period the product is found to be defective in material or workmanship, the product must be returned, with a copy of the original sales receipt as proof of purchase in the original carton, to the place of purchase. The manufacturer will, at its option, repair, replace or refund the original purchase price to the consumer. This warranty does not cover fixtures becoming defective due to misuse, accidental damage, improper handling and/or installation and specifically excludes liability for direct, incidental or consequential damages. As some states do not allow exclusions or limitations on an implied warranty, the above exclusions and limitations may not apply to you. This warranty gives you specific legal rights. You may have other rights that vary from state to state.

REPLACEMENT PARTS LIST

For replacement parts, call our customer service department at 1-866-439-9800,
8 a.m. - 6 p.m., EST, Monday - Thursday, 8 a.m. - 5 p.m., EST, Friday.

PART	DESCRIPTION	PART #
A	Crossbar	1
B	Fixture Body	1
AA	Green Ground Screw	1
BB	Wire Connector	3
CC	Mounting Screw	2
DD	Outlet Box Screw	2
EE	Hex Nut	2
FF	Mounting Ball	2

